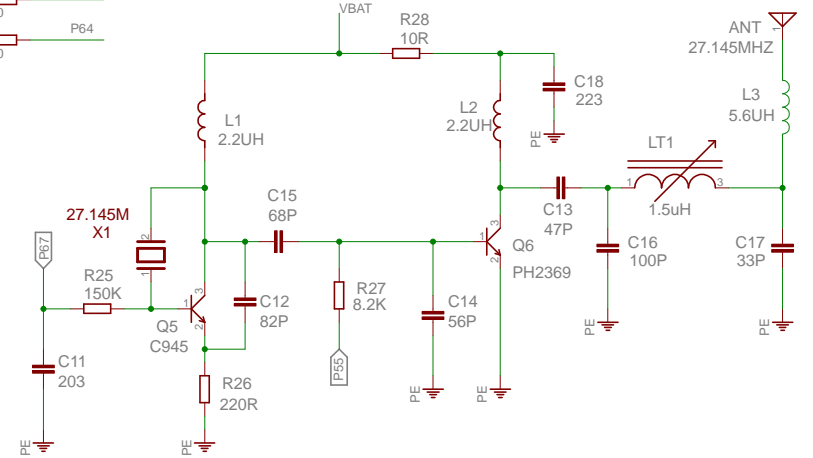
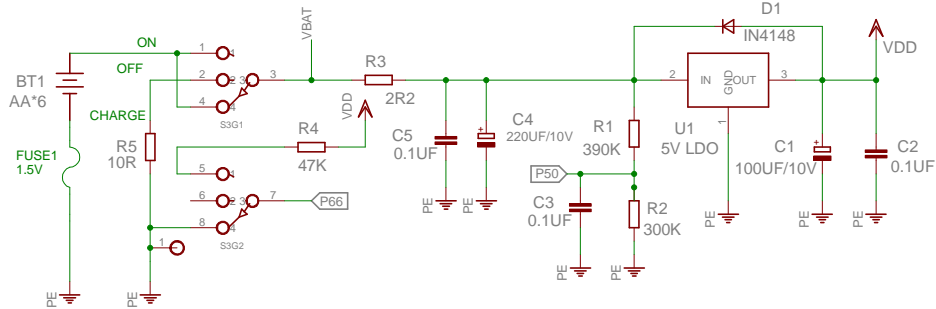
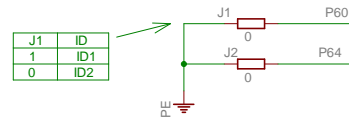
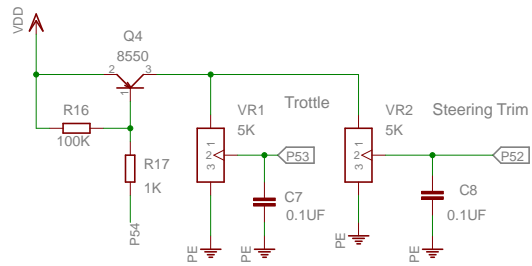
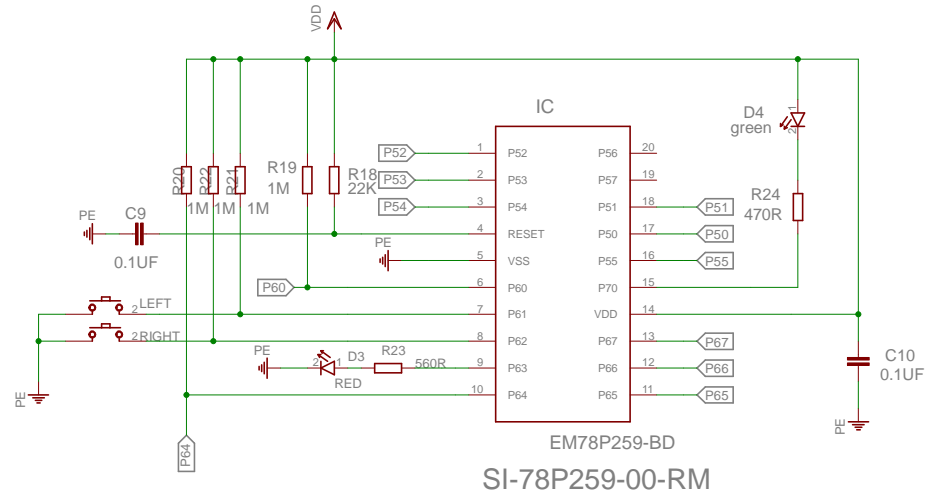
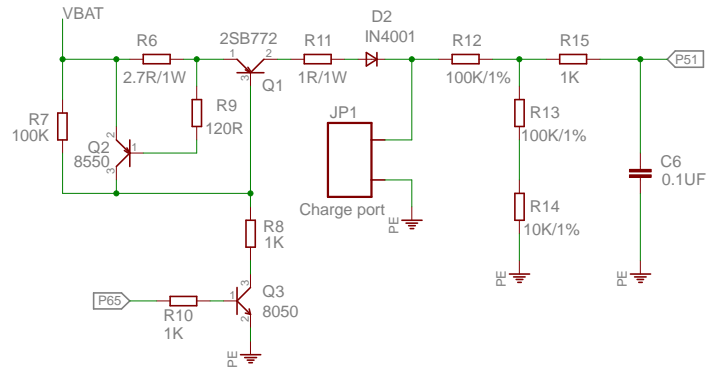


PAGE:
DWG NO:



Title:		Model Name: JET SET 2 TX 44398	
Drawn:	Checked:	Approved:	Model No: TX.SCH
Date: 2010-10-26		Size:	
TATKEI ELECTRONIC.CO.LTD		DWG NO:	Rev: