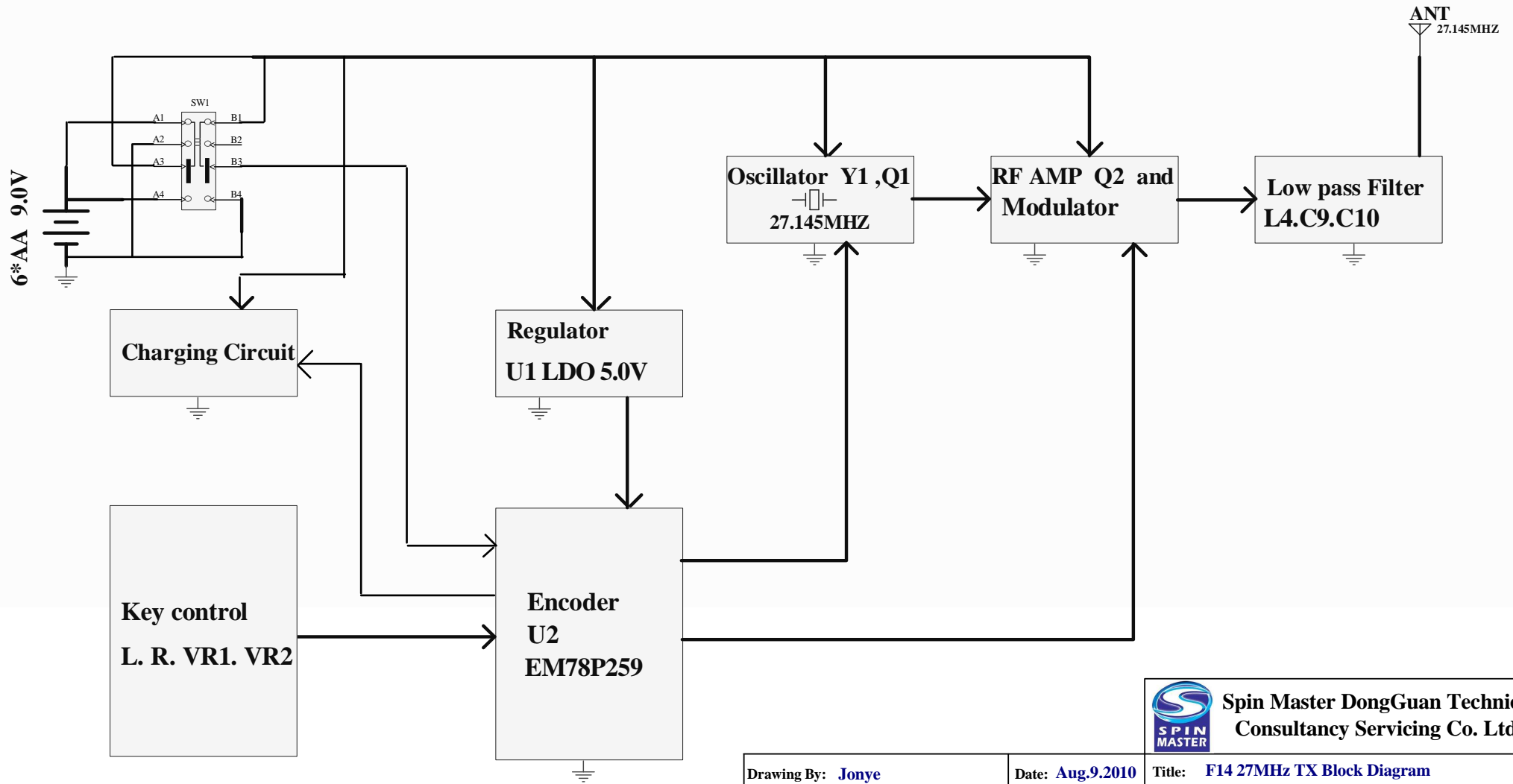


# F14 27MHz TX Block Diagram



Spin Master DongGuan Technical  
Consultancy Servicing Co. Ltd

Drawing By: <b>Jonye</b>	Date: <b>Aug.9.2010</b>	Title: <b>F14 27MHz TX Block Diagram</b>			
Checked By:	Date:	Model NO. <b>44379</b>			
Approved By:	Date:	Size	<b>A4</b>	Sheet <b>1 of 1</b>	Revision <b>V01</b>