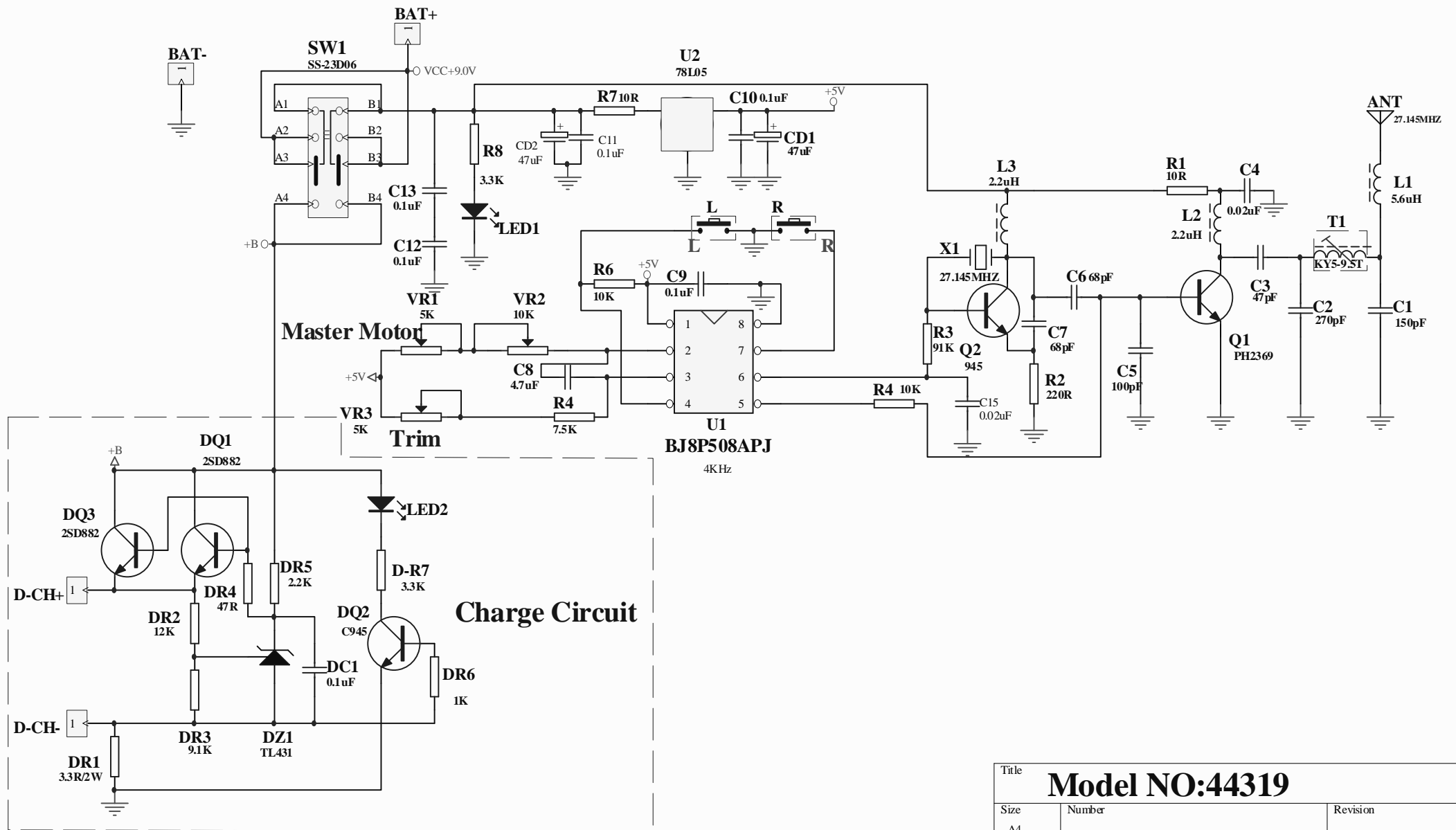


F18 2-CH Glider TX schematic 27MHz



| | | |
|-----------------------|--|----------|
| Title | | |
| Model NO:44319 | | |
| Size | Number | Revision |
| A4 | | |
| Date: | 2008-9-30 | Sheet of |
| File: | C:\Sean Xiao\...\F18 27Mhz TX Circuit 20080930.Sch | |