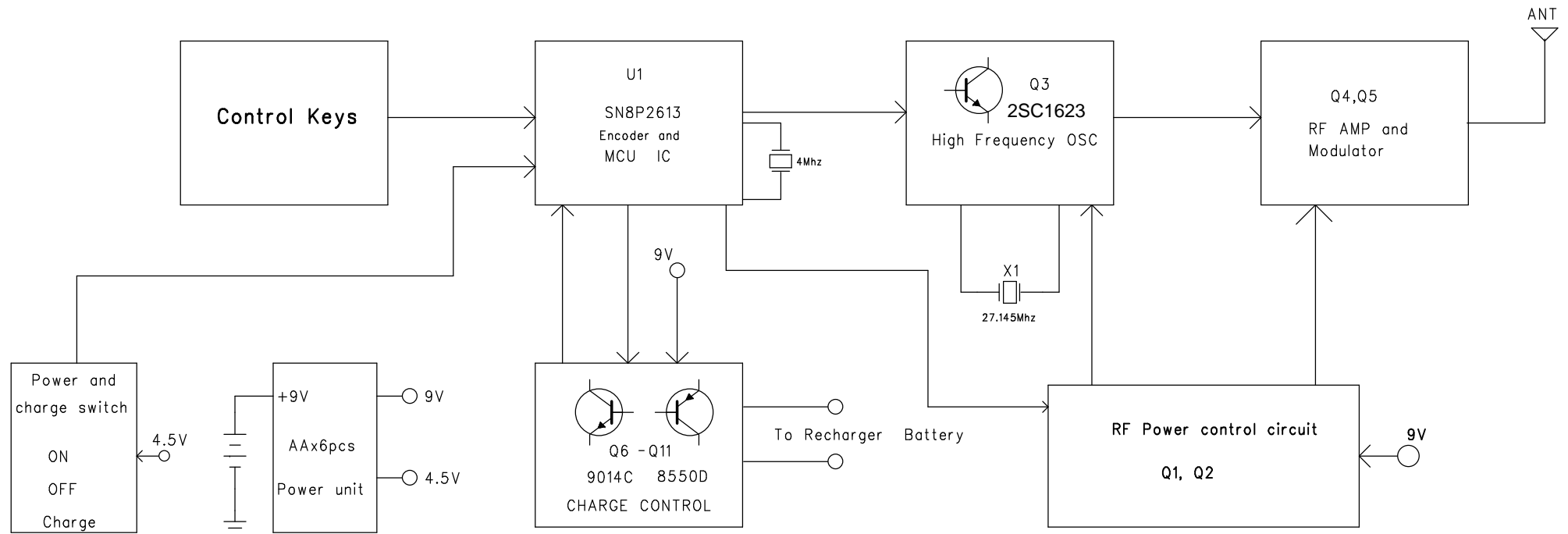


REV	DETAIL OF CHANGE	DATE	RELEASED BY	AGREED BY
01				



Function Describe

- 1)Power on mode-Tx unit encode control lever input to generate 8 step Control signal through 27Mhz AM RF channel sending RX unit
- 2)Charge mode To charge the RX Lipo Battery,when the Battery is full, the charge function will be Auto-off.

Client: MODEL NO.44234	Spin Master toys Far East LTD.		
Project: GYRO COPTER			
Drawn by: LSL	221-248 Texaco Rd. Tsuen Wan.N.t. ,Hong Kong.		
SheeFile Name:	Sheet Title: TX BLOCK DIAGRAM		
	Size: A4	Document Number:	Rev.: 01
	Sheet Creation date: 2006/10/05	SHEET 1	OF 1