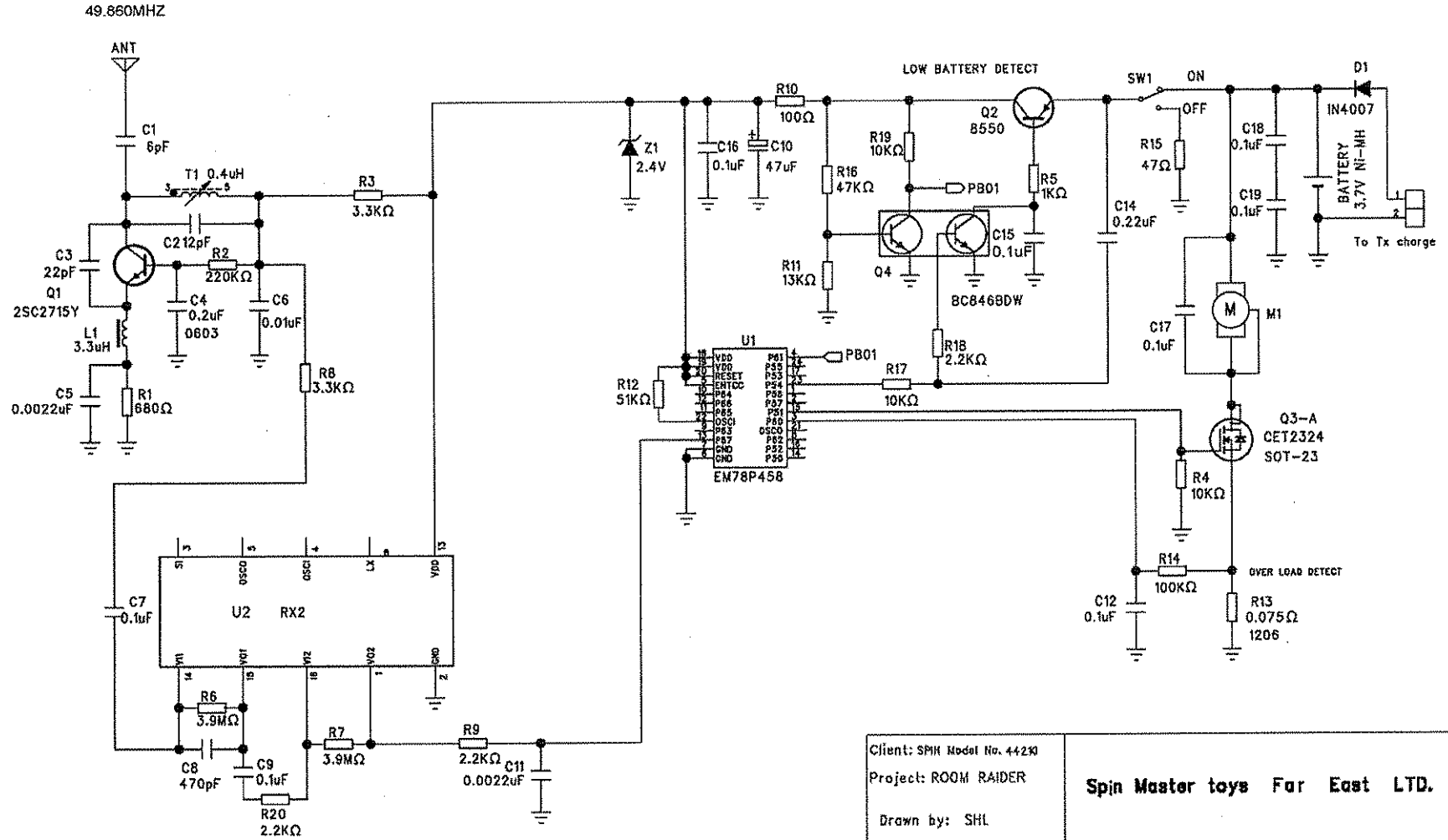


REV	DETAIL OF CHANGE	DATE	RELEASED BY	AGREED BY
00				



Client: SMH Model No. 442X0		<b>Spin Master toys Far East LTD.</b>	
Project: ROOM RAIDER			
Drawn by: SHL		Sheet Title: RX	
Sheet File Name:	Size: A4	Document Number:	Rev.: 00
Sheet Creation date: 2006-05-20	SHEET 1		OF 1