

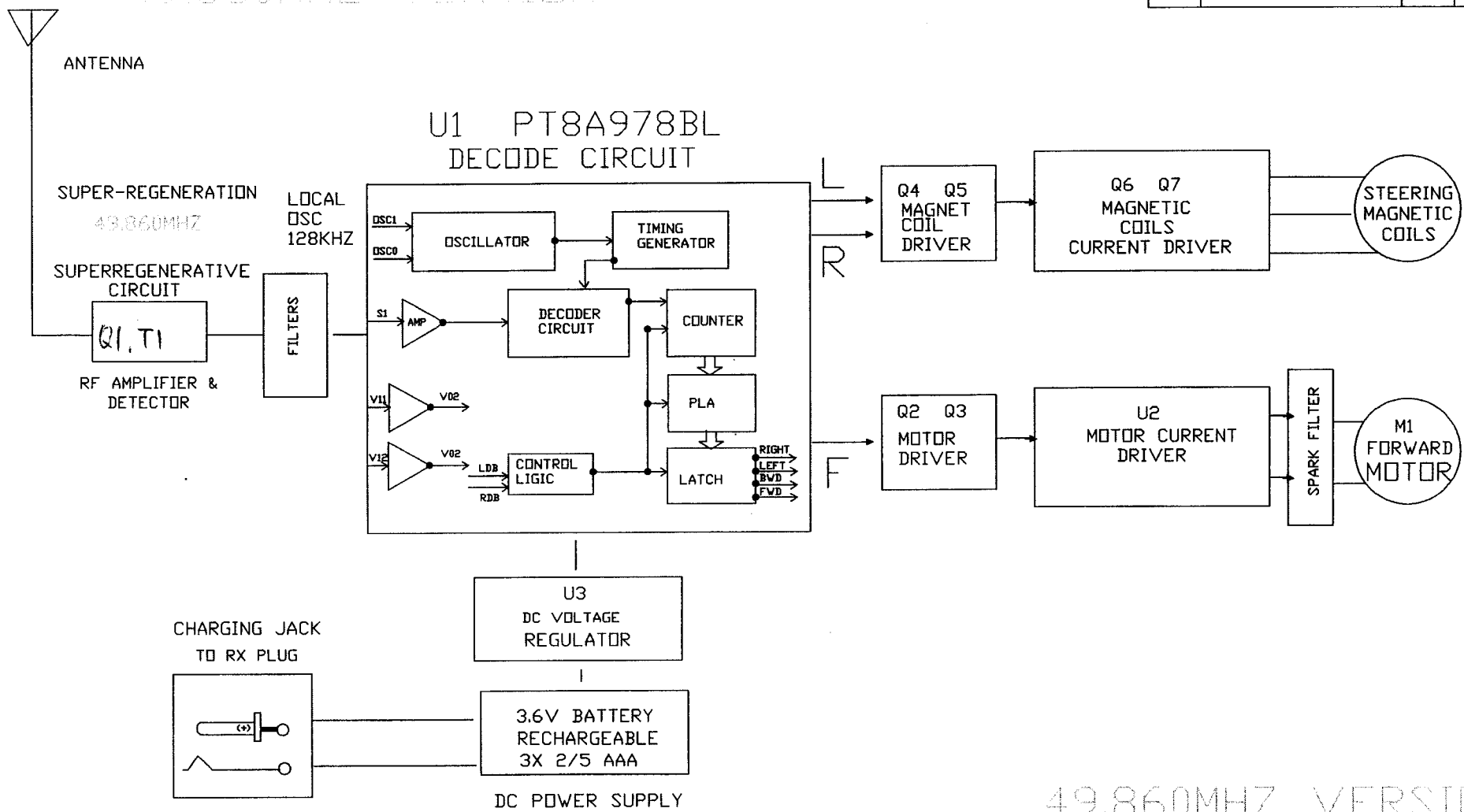
**REVISED**

0320257

4/2

49.860MHZ VERSION

ISSUE	CHANGE DETAIL	DATE	CHECKED	APP.



49.860MHZ VERSION

DO NOT SCALE DRAWING	TITLE		BLOCK DIAGRAM--	Q'TY	UNIT
UNLESS OTHERWISE SPECIFIC DEC ±0.1 ANGLE ±1°	MATERIAL RX SIDE	VERSION--	FINISH	SCALE	
GENERAL DRAFT	MODEL	RCX PLANE	PART NO.	SIZE	
UNLESS OTHERWISE SPECIFIC WALL THICKNESS	DRAWN B.LEE 14/11.2003	CHECKED	APPROVED BILLY 14/11. 2003	A4	

**Dynamic industries co. ltd.**