

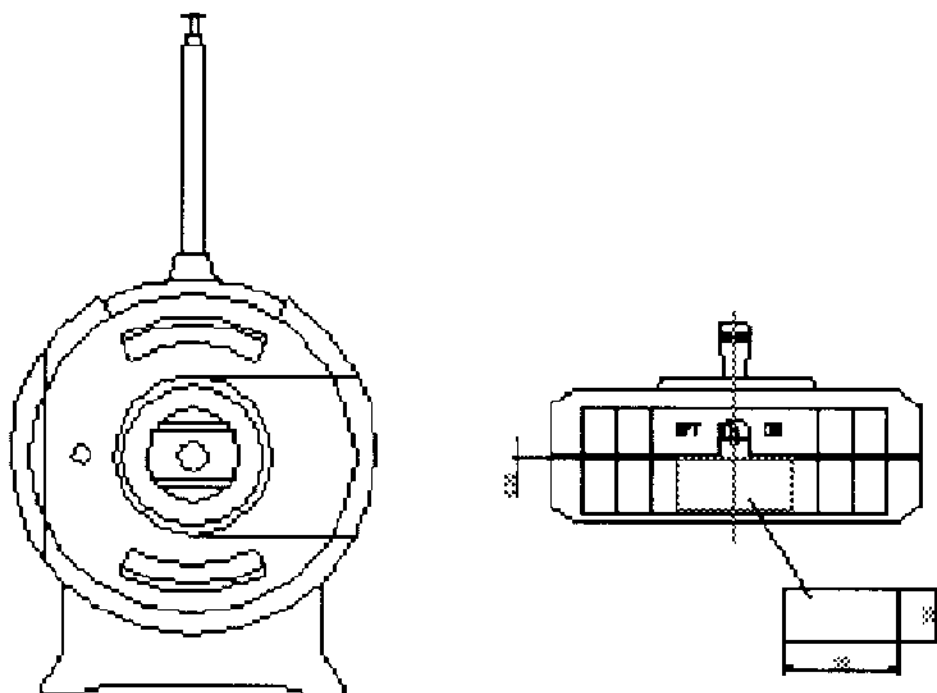
To : ITS
Attn : Miss. Rita Chan
Fm : Anita Cheung - LCQA
C.c. : Mr. Richard Pang

This device complies with part 15 of the FCC Rules. Operation is subject to the following two conditions: (1) This device may not cause harmful interference, and (2) this device must accept any interference received, including interference that may cause undesired operation.

FCC ID : PQN40024TX2701 27.145MHz
CANADA 210

SIZE : 32 MM x 15 MM

LOACTION : AS BELOW



TX FOR R/C PLANE