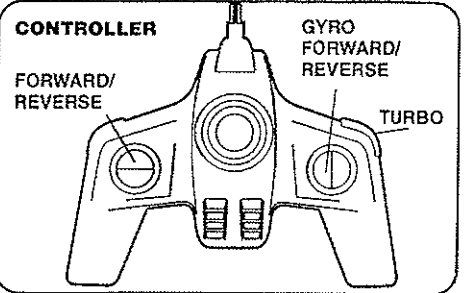


**GYRO FORCE™**

**IMPORTANT! PROBLEMS?**

Before taking Gyro Force™ back to the retailer, call our friendly RC technicians at: 1-800-622-8339.

**STORAGE:** The Gyro Force™ should be stored indoors in the foam tray enclosed in the box after each use.



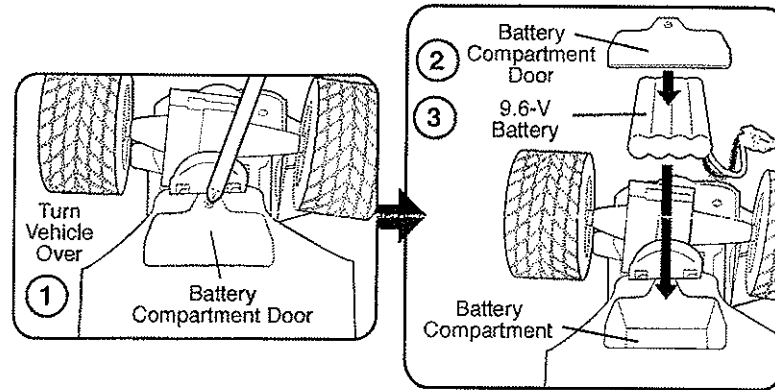
**BATTERY INSTALLATION**

Gyro Force™ requires one 9.6-V rechargeable and one 9-V battery to run (Included).

**INSTALLING BATTERIES IN THE GYRO FORCE™**

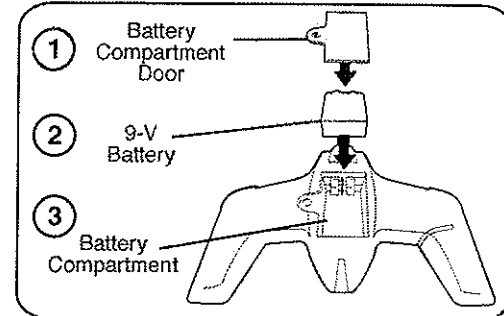
**9.6 VOLT**

- 1 - Locate the battery door on the bottom of the vehicle.
- 2 - Unscrew to release the battery door as shown.
- 3 - Place the batteries in the tray according to the polarity markings as shown.
- 4 - Connect the battery wire to the car wire as shown.
- 5 - Replace the battery door and tighten the screw back into place.



**INSTALLING CONTROLLER 9-VOLT BATTERY**

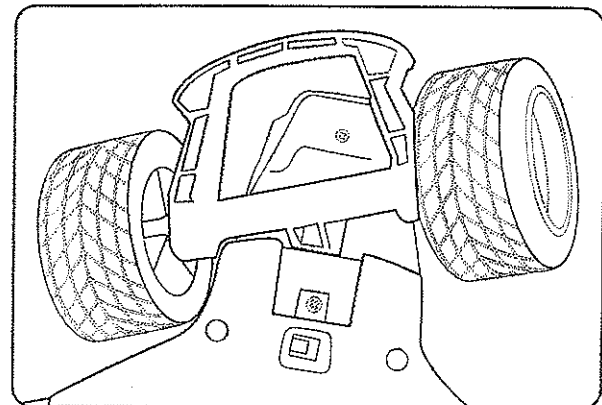
- 1 - Using a Phillips screwdriver, undo the hold-down screw and remove the battery compartment door.
- 2 - Place the 9-V battery in the battery compartment, making sure to follow the correct + and - polarity markings.
- 3 - Replace the battery compartment door and refasten the hold-down screw.



**GETTING STARTED**

- 1 - Turn the "ON-OFF" switch to the "ON" position.
- 2 - Use Controller to move vehicle forwards or backwards.
- 3 - The vehicle steers like a skateboard. By positioning either right or left, the vehicle will turn right and then left/left and then right. To steer, release the turn button once the vehicle is pointing in the direction desired.

Note: If you press right or left while holding the Turbo button, Gyro Force™ will roll over and perform stunts.



**TRICK TIPS:** Gyro Force™ can perform amazing stunts on the ground or in the air. The controller works much like a video game controller. The right combination of buttons and momentum are used to perform specific moves.

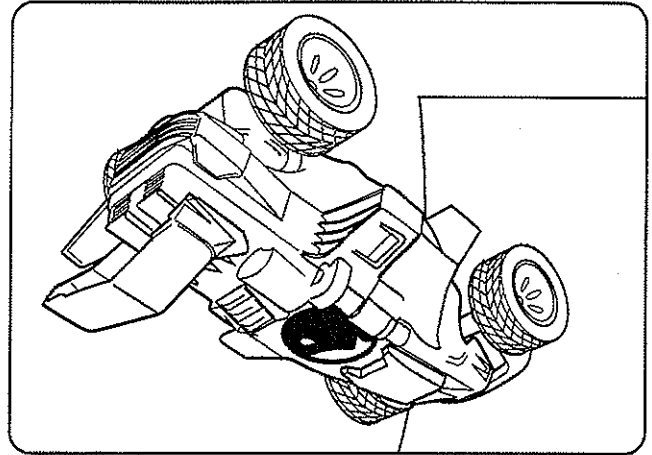
**BACK FLIP FROM A JUMP**

Get the vehicle up to maximum speed before hitting the jump. Hold the turbo button down while driving towards the ramp. As soon as the vehicle leaves the ramp press the Gyro Button reverse (left).

**KICK FLIP**

Drive in reverse at full speed, holding the turbo button down. Tap the Gyro forward button twice and release the turbo button.

It takes time and practice to master specific tricks, but Gyro Force™ can perform amazing stunts right out of the box. Just try pressing the turbo button and Gyro controls at different times.

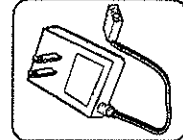
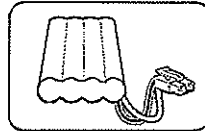


**SAFETY INFORMATION**

Always turn Gyro Force™ off before attempting to pick it up. Never touch the vehicle while it is regenerating or moving. Do not place the Controller on the ground with the button facing down. This could cause accidental starts or erroneous responses.

**BATTERIES**

Gyro Force™ requires one 9-V battery for the Controller and one 9.6-V rechargeable battery (included).



**IMPORTANT INFORMATION**

Battery installation should be performed by an adult. Use only batteries recommended on this package and the instruction sheet. • Be careful to install batteries with the correct polarity as indicated. • Do not mix new and old batteries. • Do not mix alkaline, standard, rechargeable or different types of batteries. • Non-rechargeable batteries are not to be recharged. • Rechargeable batteries are to be removed from the toy before being charged. • Rechargeable batteries are only to be charged under adult supervision. • Only batteries of the same or equivalent type as recommended are to be used. • Exhausted batteries are to be removed from the toy. • The supply terminals are not to be short circuited. Please retain this information for future reference.

**TROUBLESHOOTING**

PROBLEM	SOLUTION
Car will not start.	1. Power switch is off. Turn on. 2. Batteries are installed with incorrect polarity. Check the + and - markings to make sure the batteries are properly aligned. 3. Batteries are drained. Charge batteries and/or install new batteries.
Car does not respond to controller.	1. Controller battery is drained. Replace the 9-Volt controller battery. 2. Vehicle is out of range. Bring closer to the vehicle. 3. Interference from surrounding electrical machinery. Bring to a wide-open space.
Car does not drive straight.	1. Adjust the steering dial underneath the front axle, left or right, until the wheels point straight forward.

FCC Requirement. This device complies with part 15 of the FCC rules. Operation is subject to the following two conditions: (1) this device may not cause harmful interference; and (2) this device must accept any interference that may cause undesired operation.

Do not attempt to repair or modify this equipment.

**WARNING:** Changes or modifications not expressly approved by the party responsible for its compliance could void the users authority to operate the equipment.

**NOTE:** With electrostatic discharge in the environment, the vehicle may malfunction. Reset the vehicle by turning the vehicle OFF and restart again to resume normal operation.

Spin Master Ltd.  
 450 Front Street West, Toronto ON M5V 1B6 Canada  
 Phone: 1-800-622-8339 Fax: 416-364-8005  
 Web: www.spinmaster.com  
 Email toys@spinmaster.com  
 © 2004 Spin Master Ltd.  
 TM Gyro Force is a trademark of Spin Master Ltd. All Rights Reserved.  
 MADE IN CHINA.

Asst. #14076 REV 1

