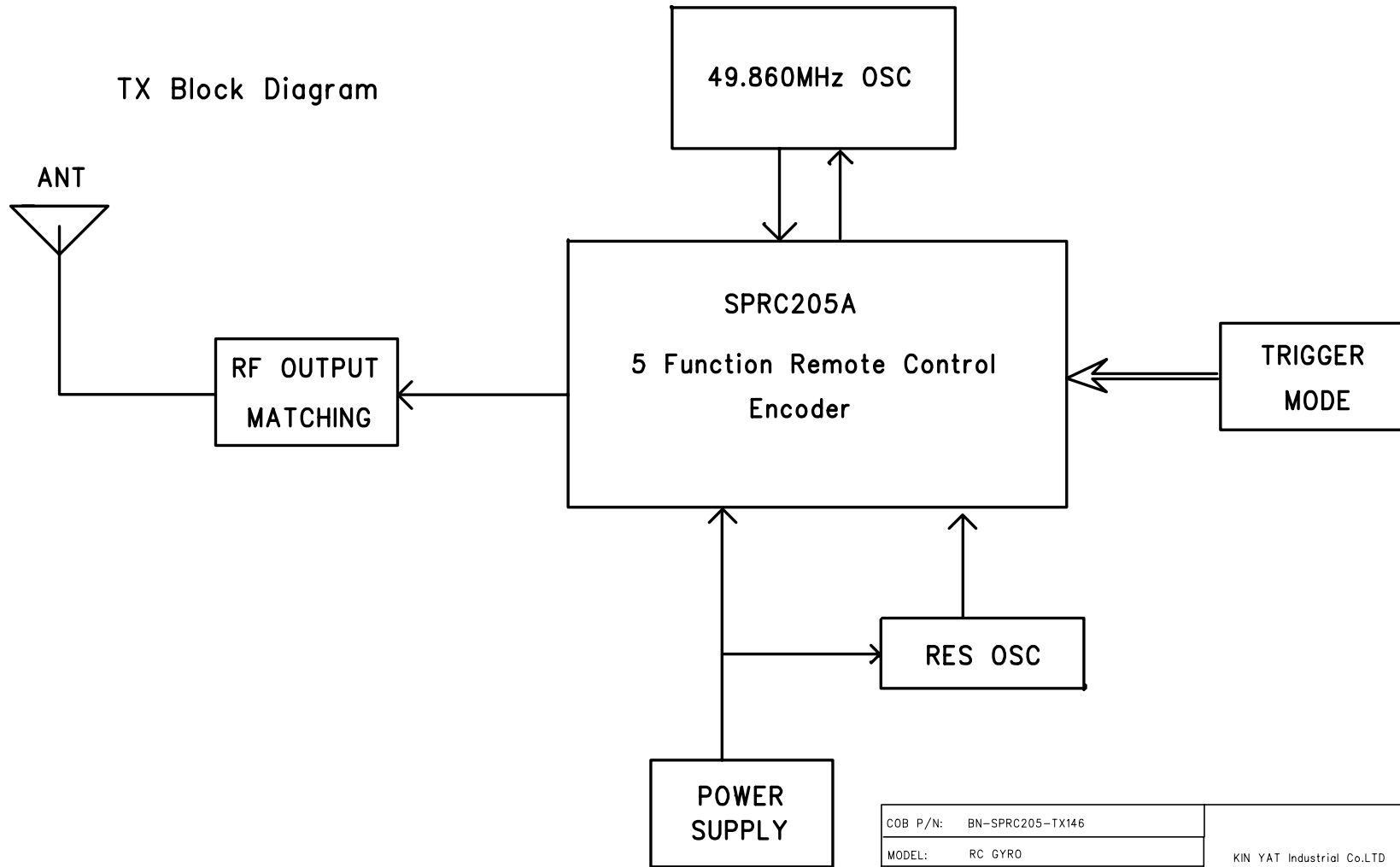


TX Block Diagram



COB P/N:	BN-SPRC205-TX146	KIN YAT Industrial Co.LTD
MODEL:	RC GYRO	
MODEL NO:	#14076	Description: RC GYRO-TX-49M
PCB NO:	80TX146R0-94HB-1	
PCBA NO:	TX-PTH-146-49M	
DICE NO:	83SPRC205A	Page: 1 of 1
Drawn by:	WCX	Rev: R0
		Issued date: 7-Jun-2004