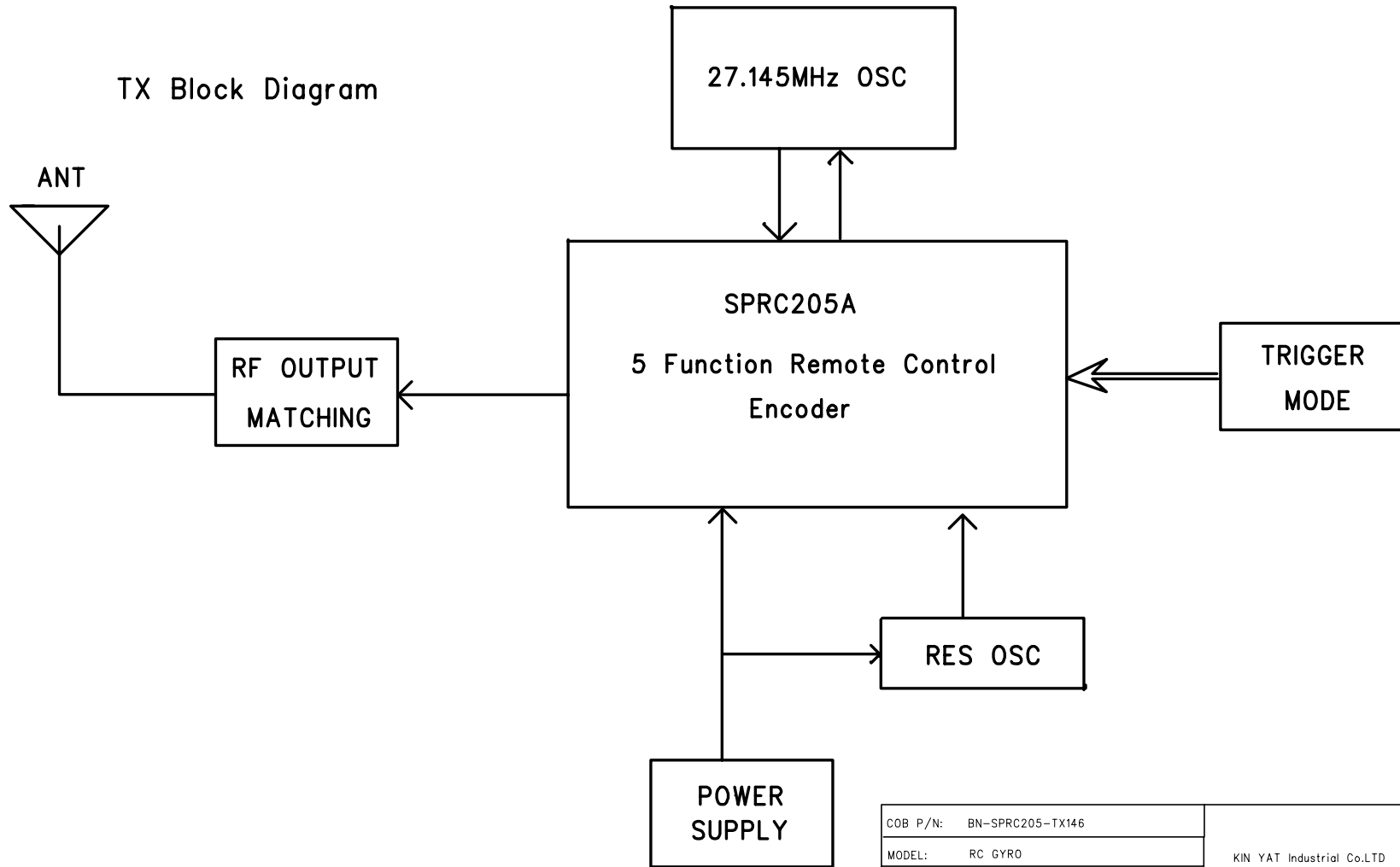


TX Block Diagram



COB P/N: BN-SPRC205-TX146	KIN YAT Industrial Co.LTD	
MODEL: RC GYRO		
MODEL NO: #14076	Description: RC GYRO-TX-27M	
PCB NO: 80TX146R0-94HB-1		
PCBA NO: TX-PTH-146-27M	Page: 1 of 1	Rev: R0
DICE NO: 83SPRC205A	Issued date: 7-Jun-2004	
Drawn by: WCX		