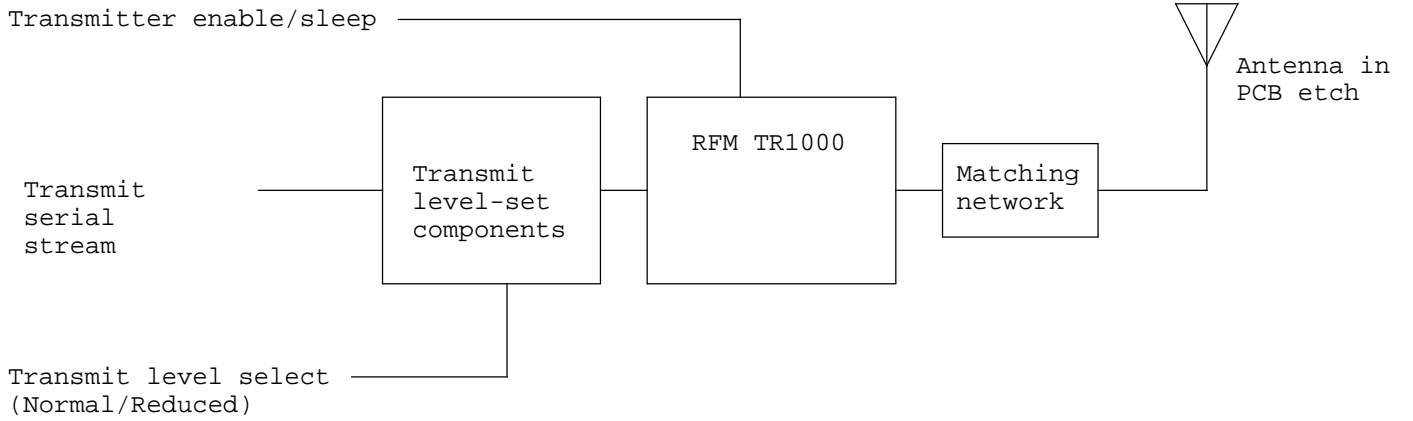


RF block diagram



eCare Services  
3500 Deer Creek Rd., Palo Alto, CA 94304

**Philips CONFIDENTIAL**

Title  
AND BP Interface: M3815-20300

Size A Document Number

Rev A2

Date: Thursday, September 06, 2001 Sheet 1 of 1