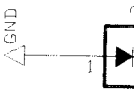
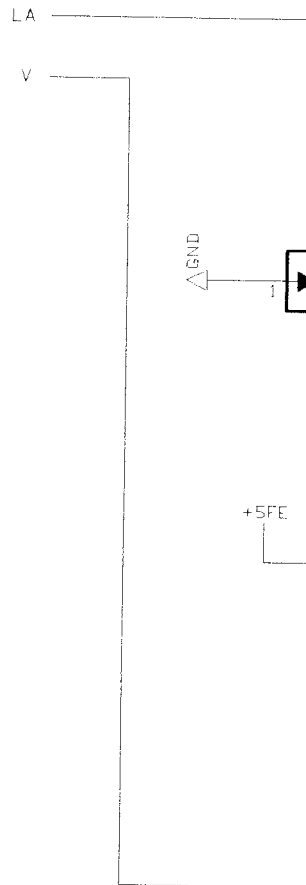
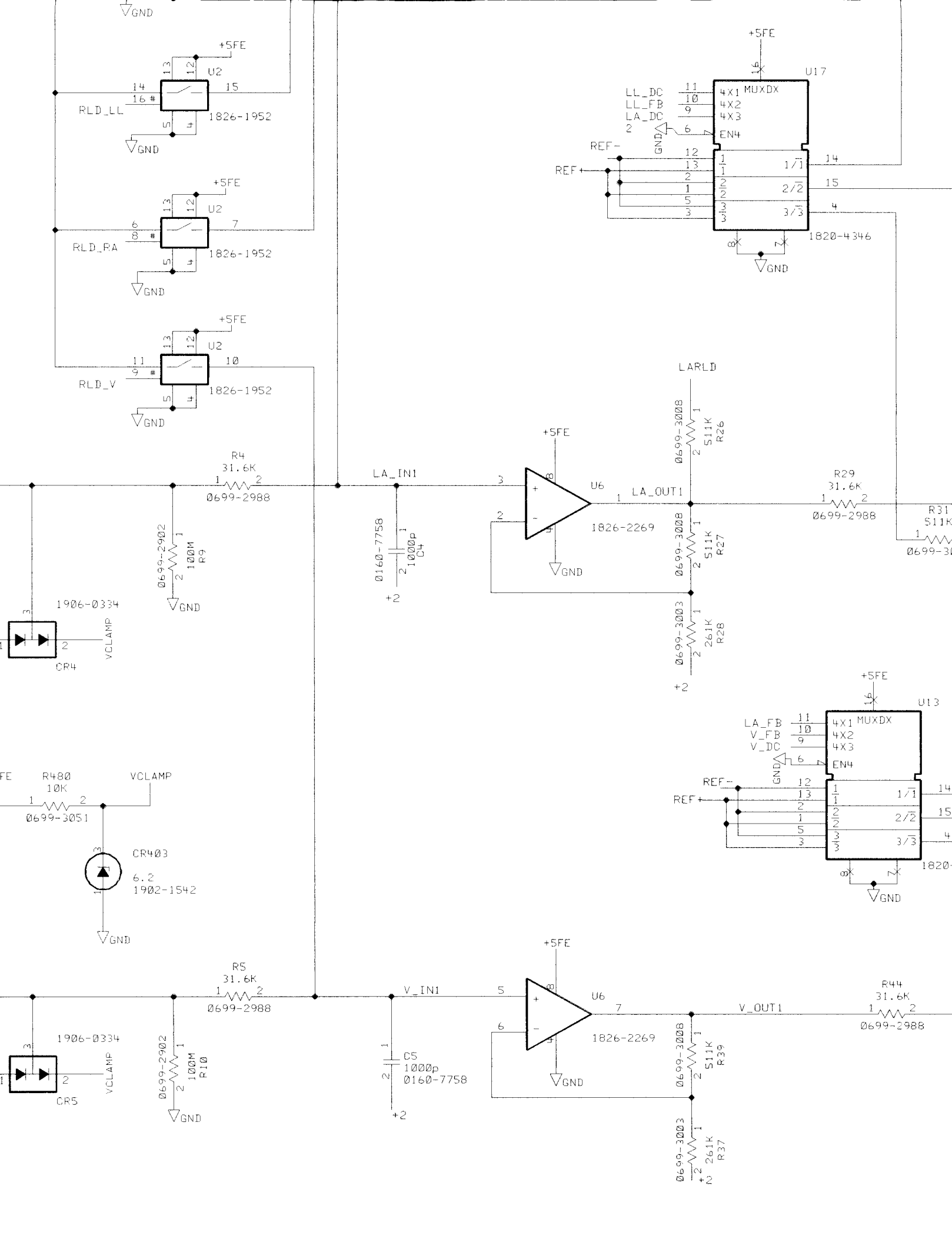
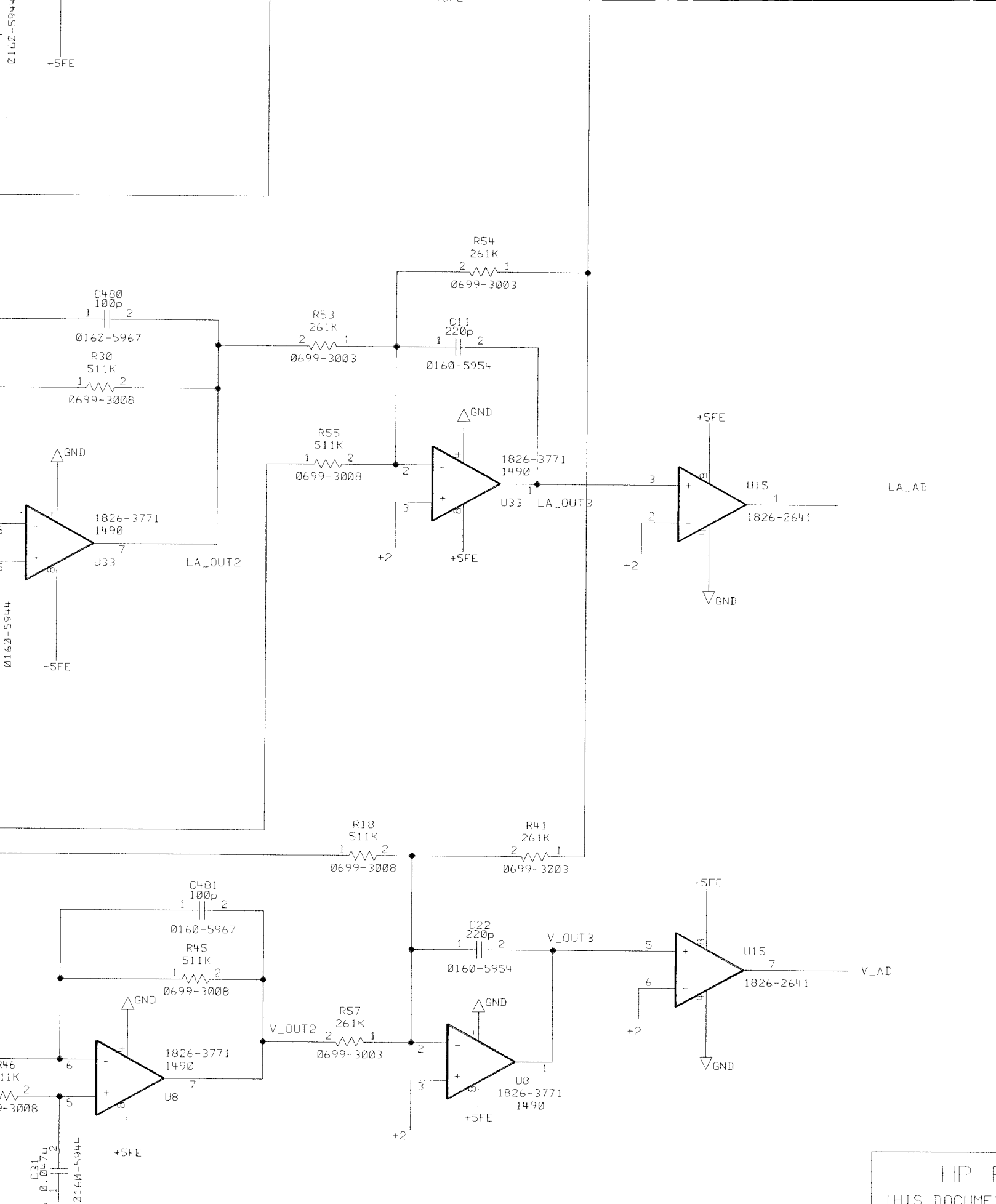


ECG_LEAD BD

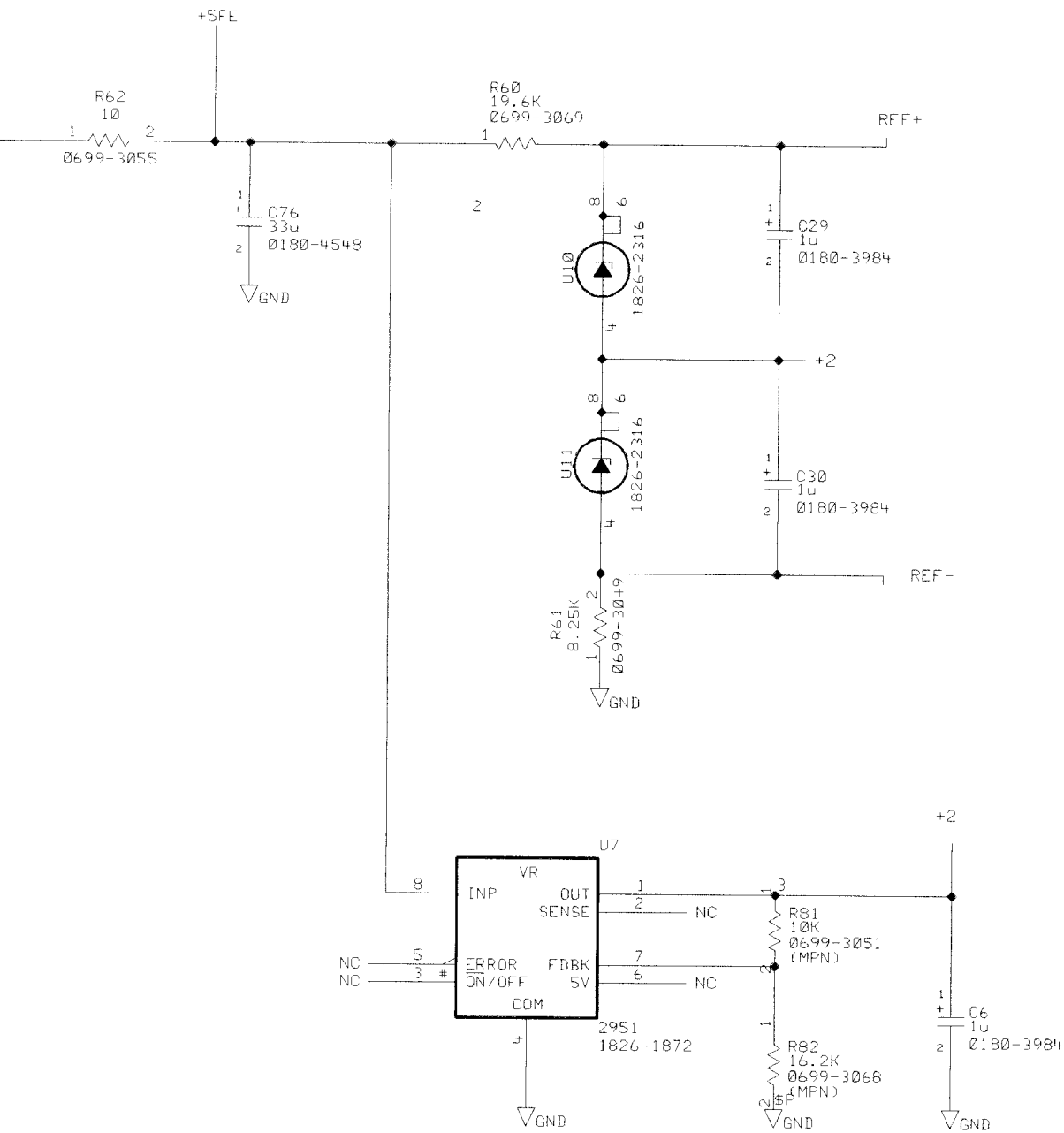
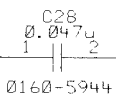






HP
 THIS DOCUMENT
 PROPRIETARY
 HEWLETT-PACKARD
 DO NOT DISCLOSE
 TO OTHERS EXCEPT BY AUTHORITY

0160-5944



PROPRIETARY
 CONTAINS CONFIDENTIAL
 INFORMATION THAT IS
 HEWLETT (HP) PROPERTY.
 NO COPY TO OR DUPLICATE FOR
 OTHER THAN AS AUTHORIZED BY HP.

6/4/98 08:29:35 LAST CHECKED	7/10/97 DATE
ANDY KNAPP ENGINEER	SHEET 1 OF 4
G. KAGER DRAWN BY	SIZE D
	ASSY. REV

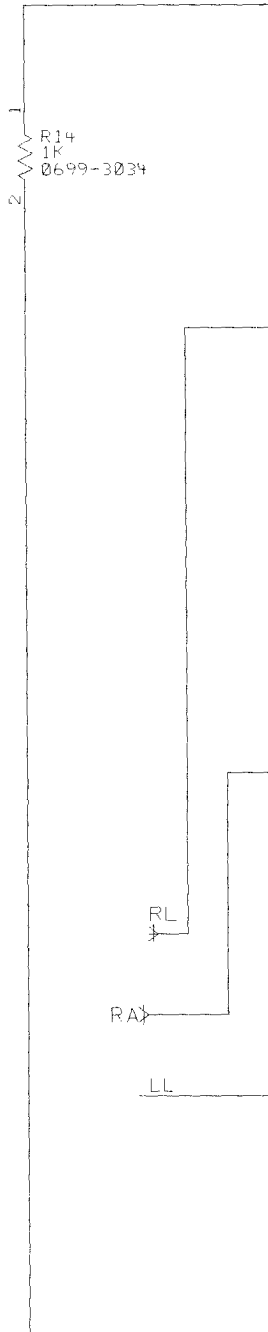
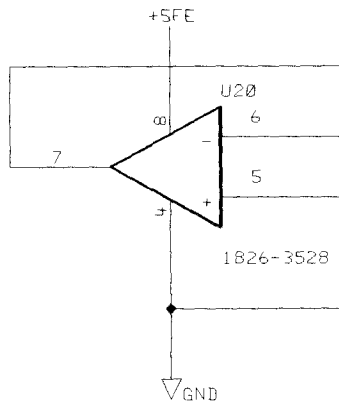
SCHEMATIC. PCB TUHFMAN ECG SECTION
TITLE \$M2601_60070_C1/pc_board sheet1 PATHNAME
PAGE 1 OF 4
BRD. REV

HEWLETT PACKARD 2917
M2601-60070 PART NUMBER
D-M2601-90070 DWG. NO.

1 2

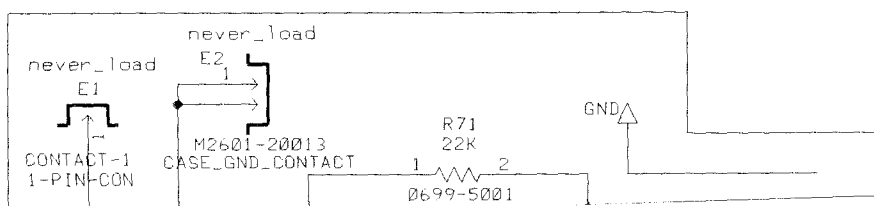
A

UNUSED GATES

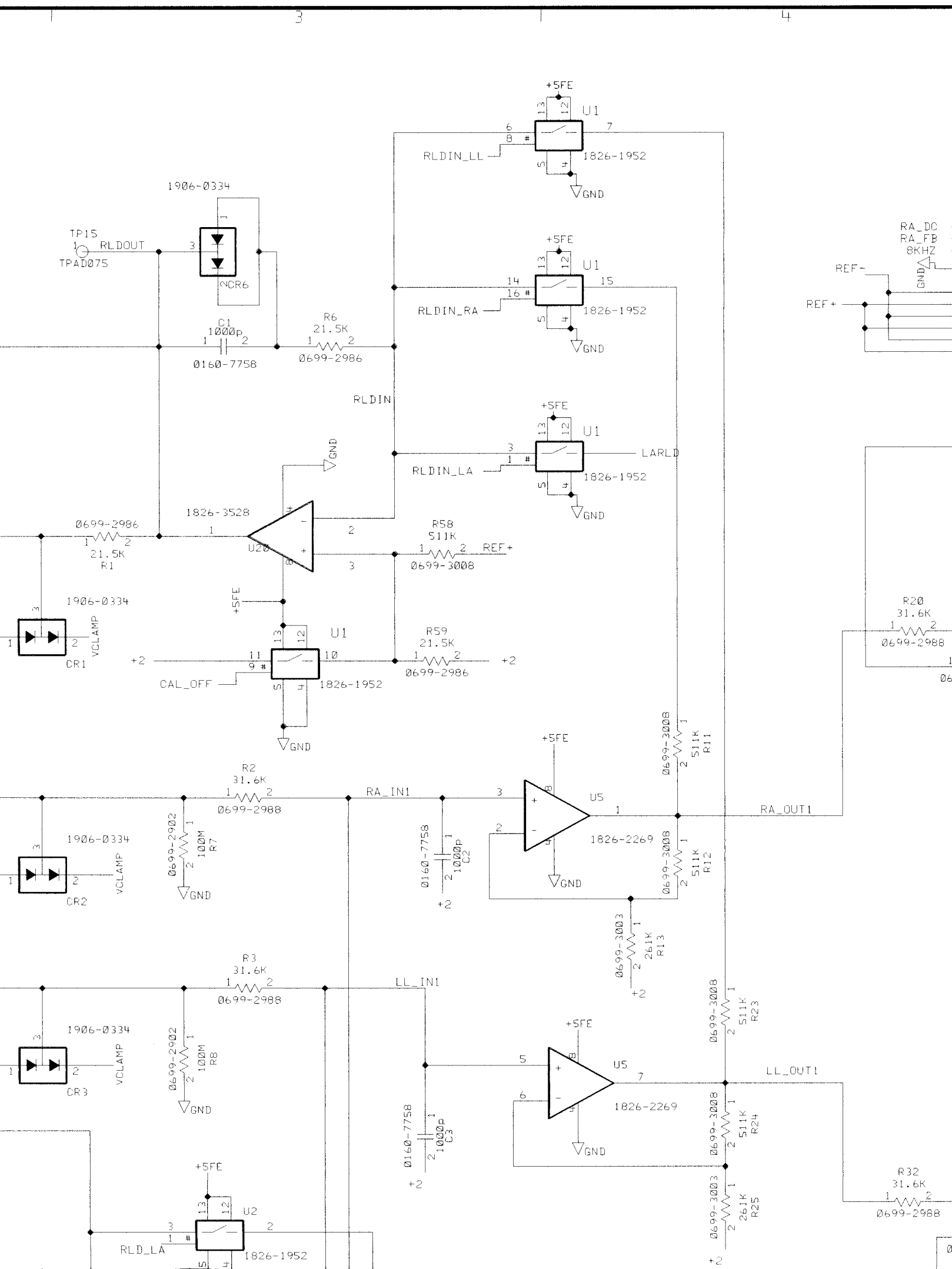


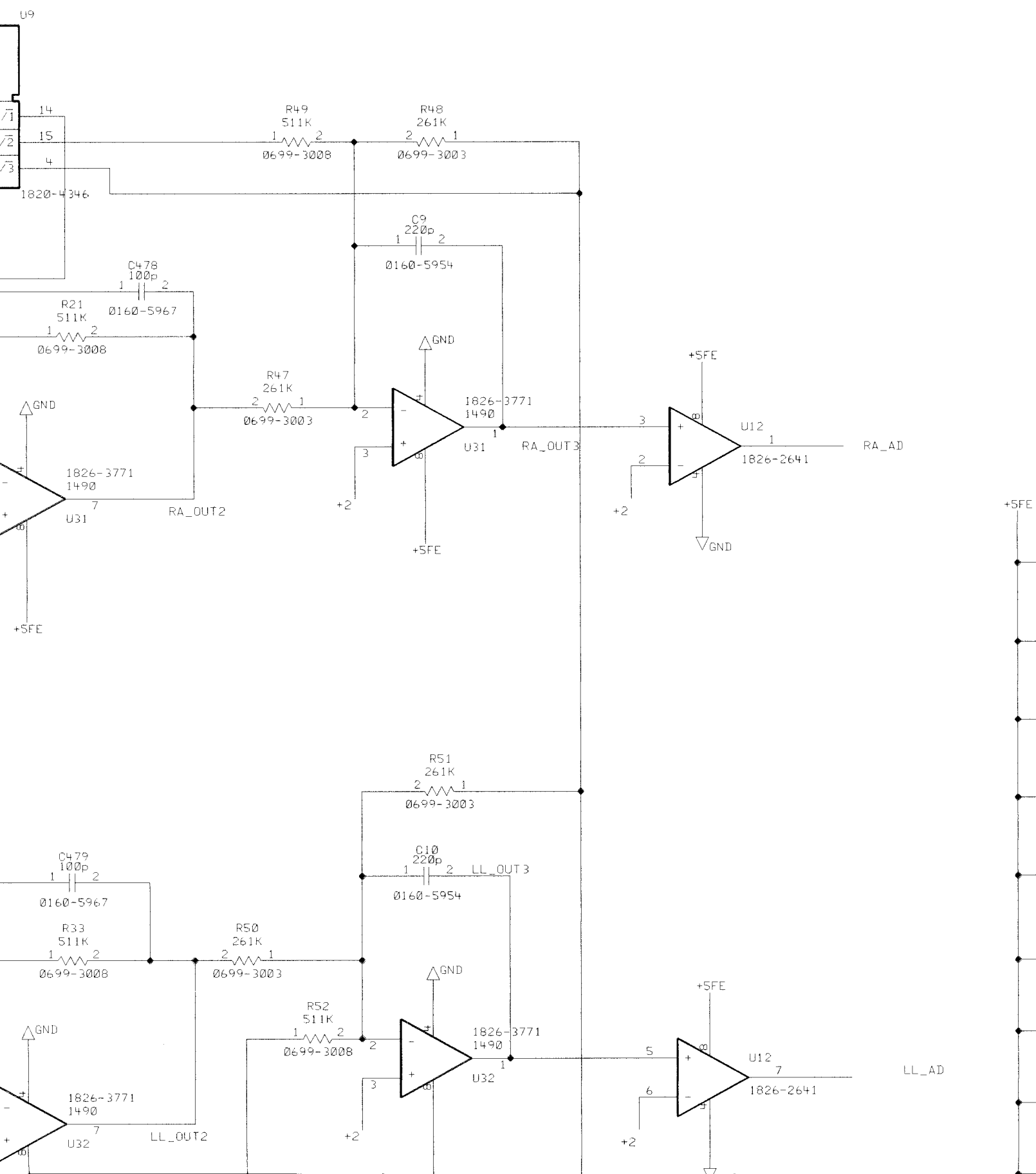
B

7121-5489
(BAR CODE LABEL)



C





7/10/97

8
D-M2601-90070

REV	INFORMATION	APPROVED	DATE
A	37330 AS ISSUED.	DARIO MCEWEN	5/9/97
B	37440 Changed U8, 31, 32, 33. Changed U103, 104, 106 firmware. Deleted R601-604.	DARIO MCEWEN	8/4/97
C	37579 Updated U103, U104, U106	DARIO MCEWEN	1/13/98
D	37711 Updated R71-R75	DARIO MCEWEN	6/4/98

