
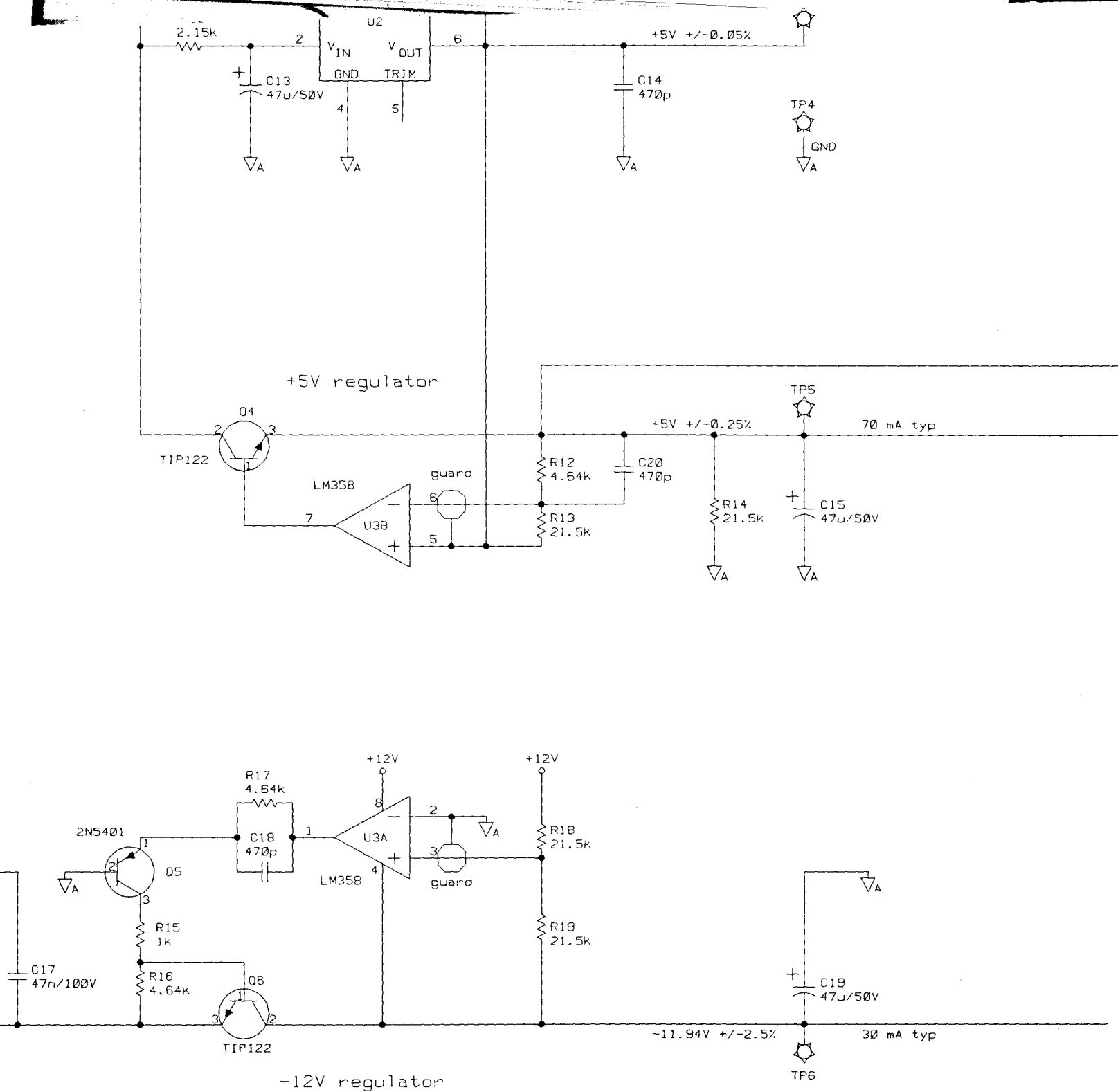


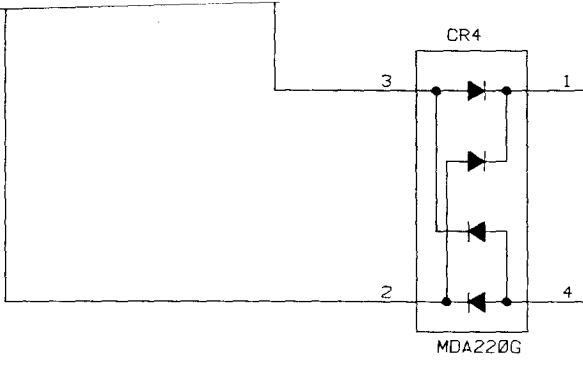
QTY.	PART/MATERIAL-DESCRIPTION	MAT'L-PART NO.	MAT'L-DWG. NO.	MAT'L-SPEC.
by fan Olejniczak	11.10.93	SCHEMATIC Power-Supply-Board /users/sol/Tweety/HW/Boards/ TITLE M1310_96502/power	 HEWLETT PACKARD	M1310-66502 PART NUMBER
BY fan Olejniczak	DATE 11.10.93			
REVIEWER/CHECKER	11.10.93			
designed by	18.02.94			
DESIGNED BY		SCALE	SHEET 1 OF 1	D-M1310-96502-1



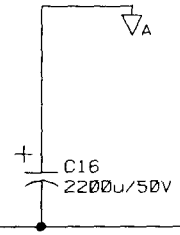
HP PROPRIETARY
 THIS DOCUMENT CONTAINS CONFIDENTIAL, PROPRIETARY INFORMATION THAT IS HEWLETT-PACKARD (HP) PROPERTY. DO NOT DISCLOSE TO OR DUPLICATE FOR OTHERS EXCEPT AS AUTHORIZED BY HP.

STRENG VERTRAULICH
 WEITERGABE AN DRITTE UND VERVIELFAELTIGUNGEN NUR MIT GENEHMIGUNG DES URHEBERS.
 SCHUTZVERMERK NACH DIN 34 BEACHTEN

ITEM	(
Stefa DRAWN BY	
Stefa ENGINEER	
Peter RELEASE	
SUPERSE	



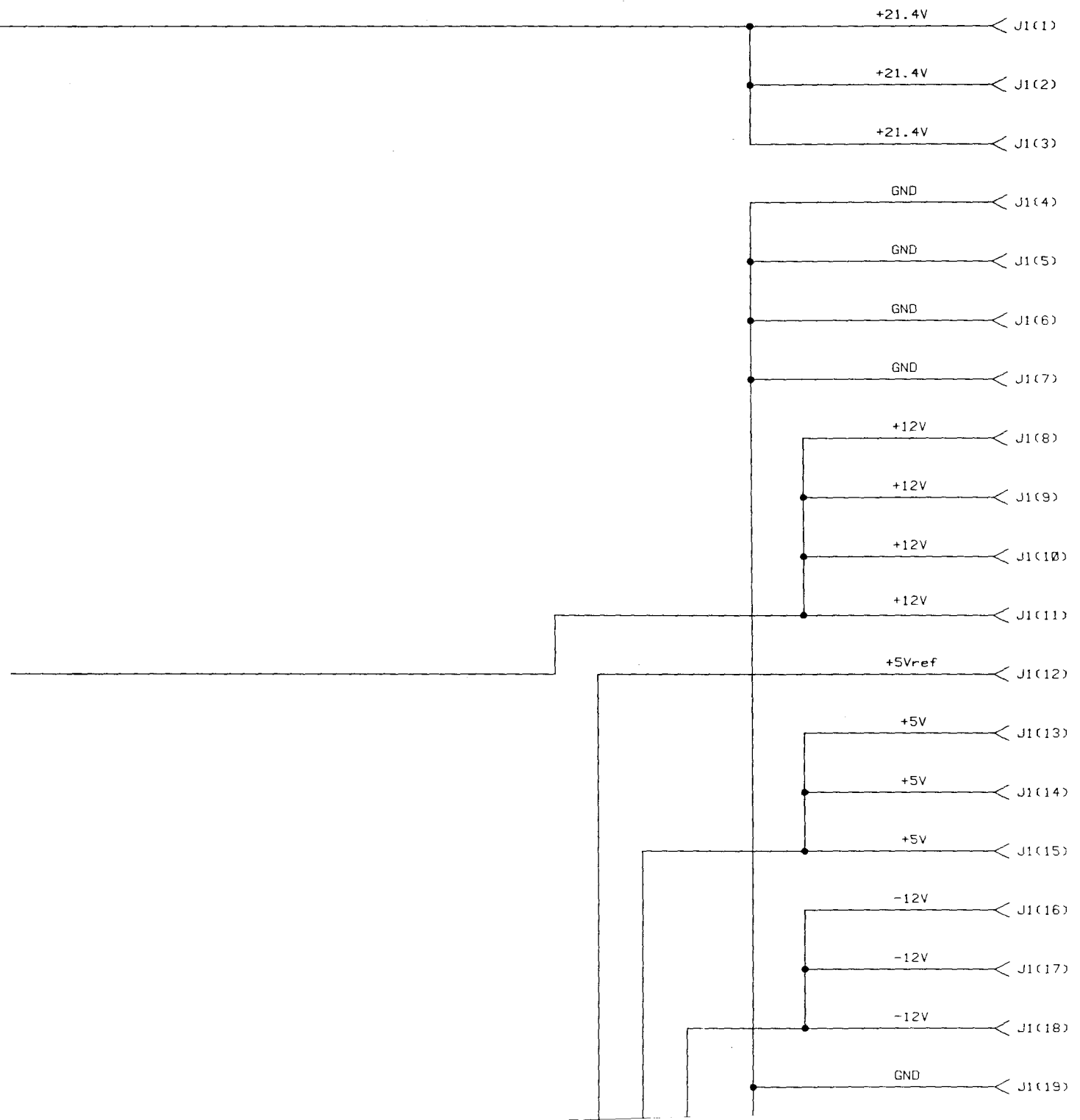
connect AGND to c
via mounting F



Notes:

- * Q1, Q3, Q4, Q6 mounted on heatsink
- * transformer protected with temp. fuse 126 +/-2 deg.C
- * tolerances given are at room temperature
- * C6, C11, C18, C20, R12, R13 required for stability
- * CR1, CR2 required for reverse voltage protection of C1, C2 during power up
- * R15 required for fault protection of Q5

				SYM	REVISIONS	APPROVED	DATE
22				A	AS ISSUED	-----	-----
50		58					
B6							

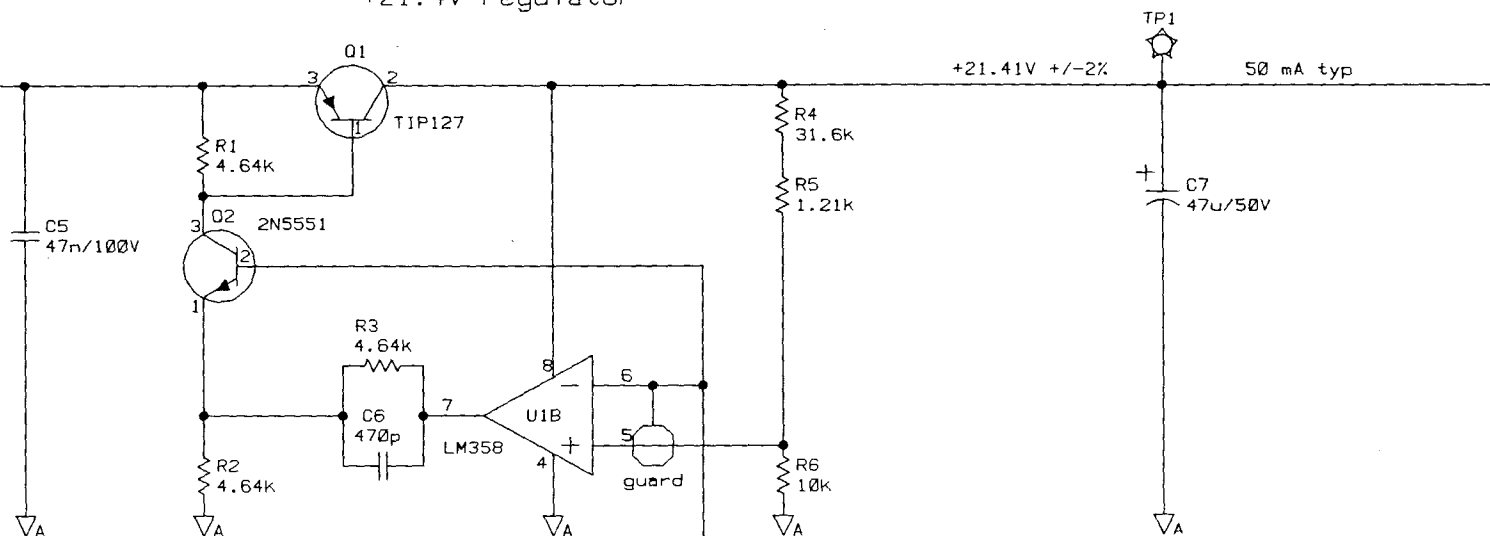


ENGINEERING RESPONSIBILITY

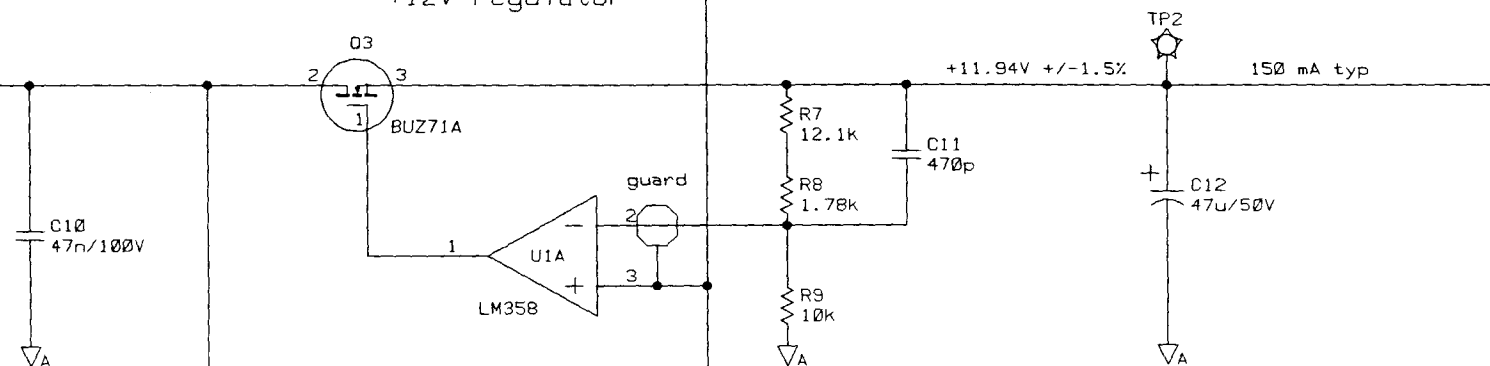
SEPIA

0		3		8	9		11	12		17	
29	30		33			40	42	43		46	47
60		63		66	67			B1	B2	B3	B4

+21.4V regulator

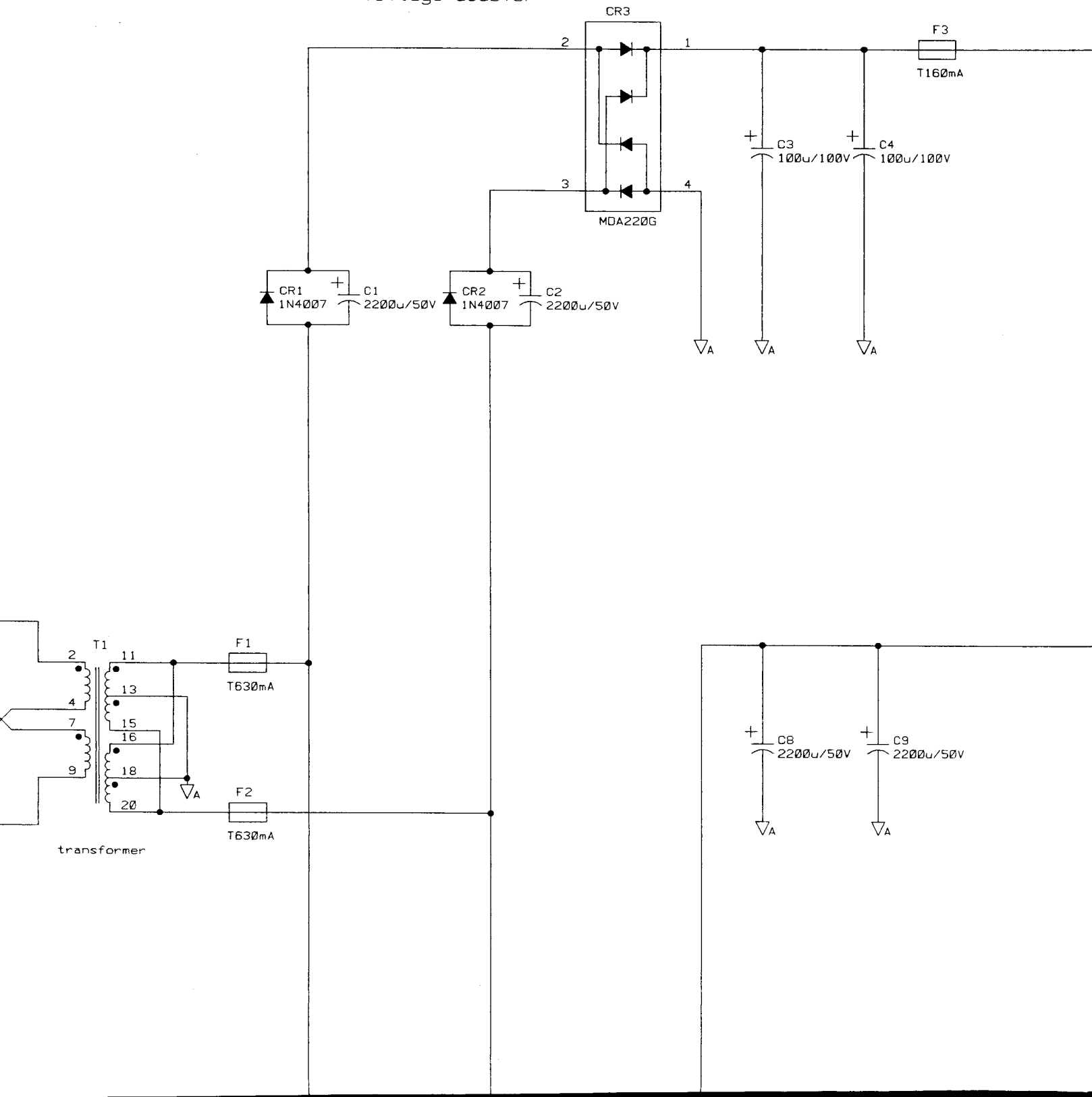


+12V regulator



voltage reference

voltage doubler



115V: T300mA UL (2110-0044)
230V: T125mA IEC (2110-0488)

