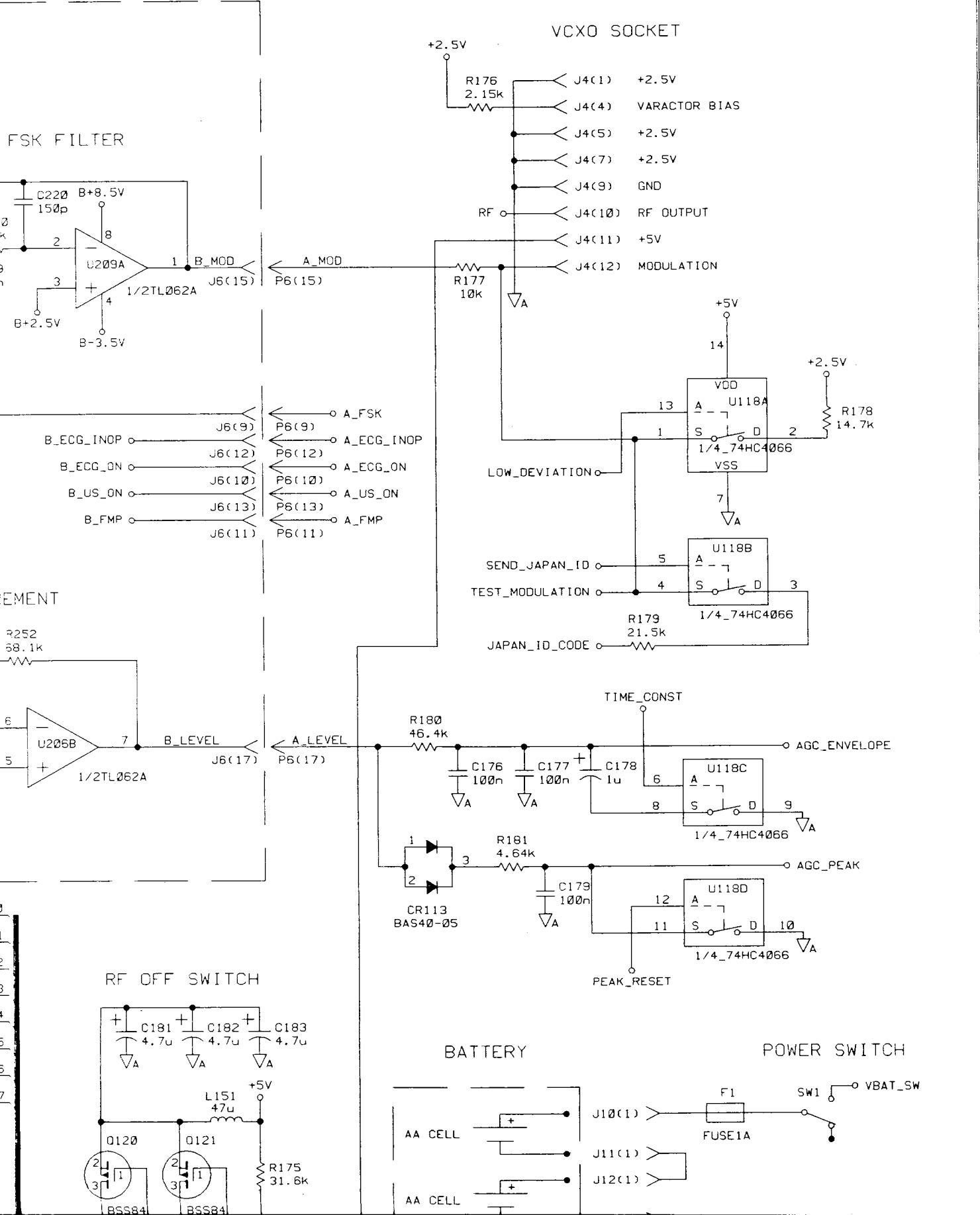


SYM	REVISIONS	APPROVED	DATE
A	AS ISSUED	-----	-----
B	C61 was 47uF/10V	B3-03128	0.GROSS 23.06.98
C	CHANGED Q7, Q11	0.GROSS	03.03.00

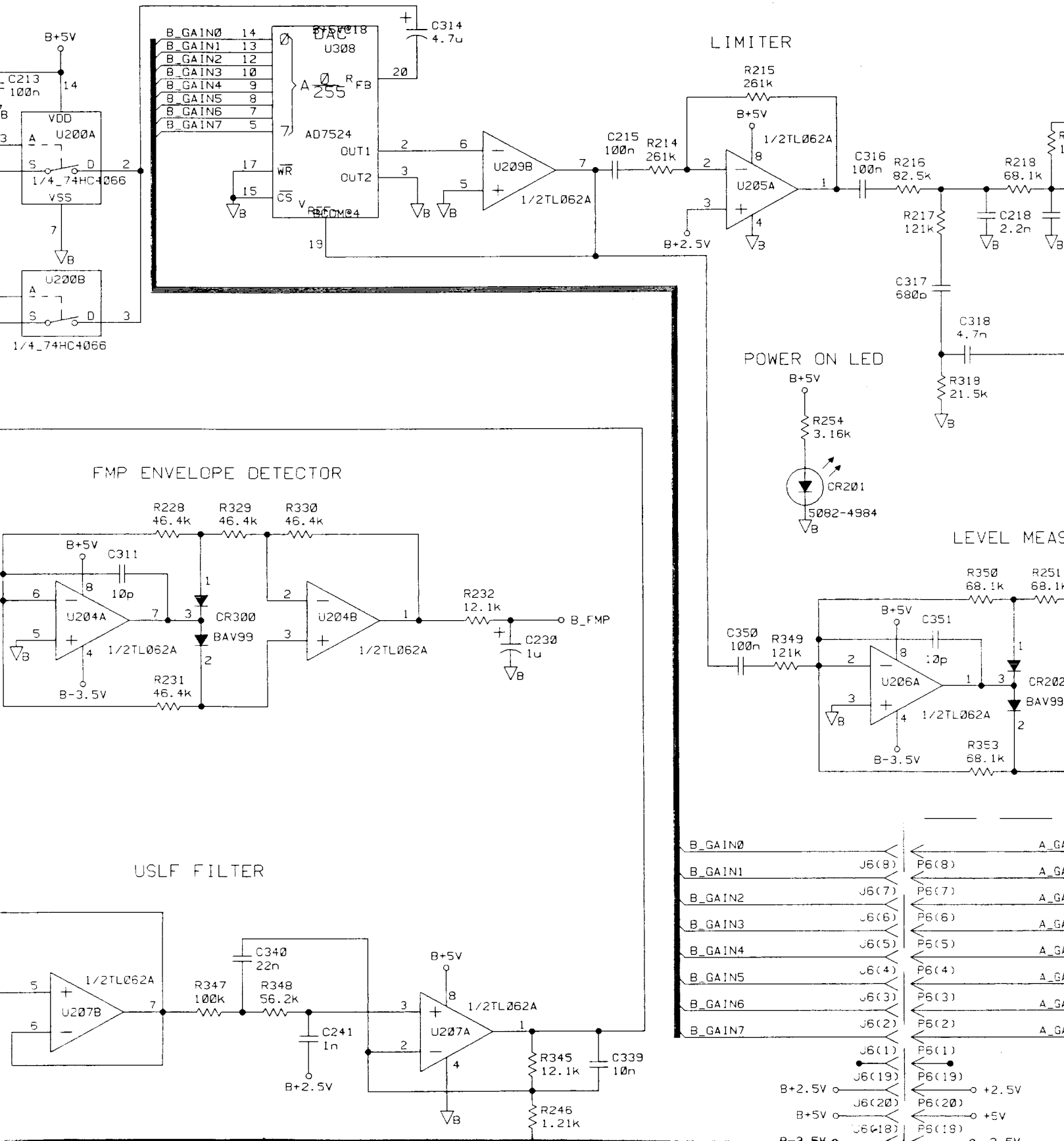


ENGINEERING RESPONSIBILITY

SEP1A

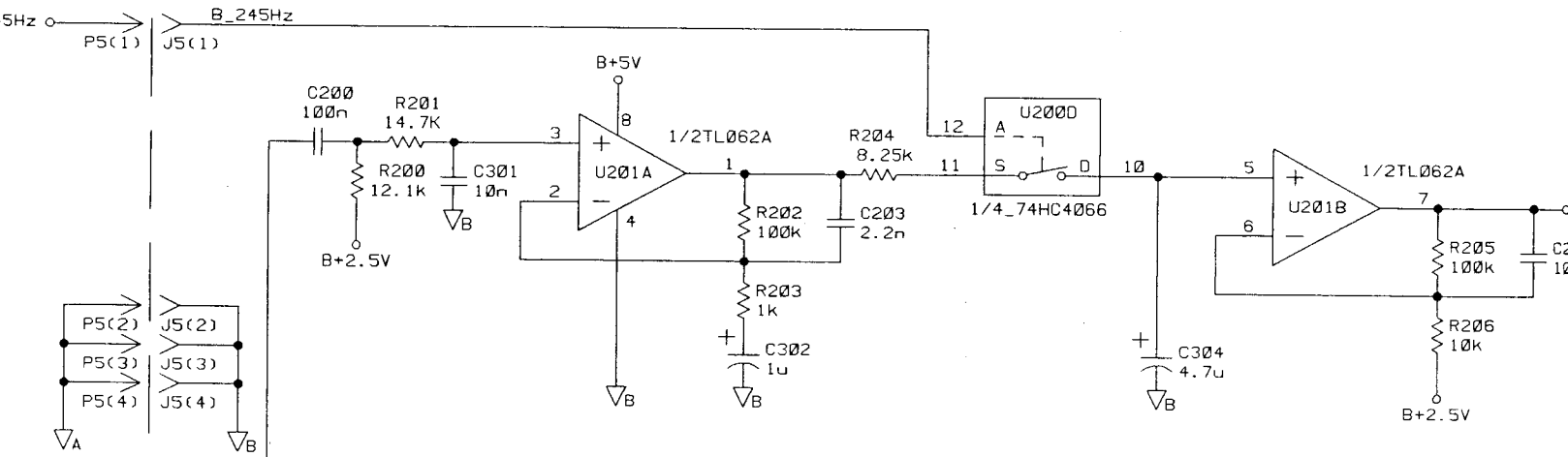
0	3	8	9	11	12	17	22
29	30	33	40	42	43	46	50
60	63	66	67	B1	B2	B3	B4

PROGRAMMABLE GAIN AMPLIFIER

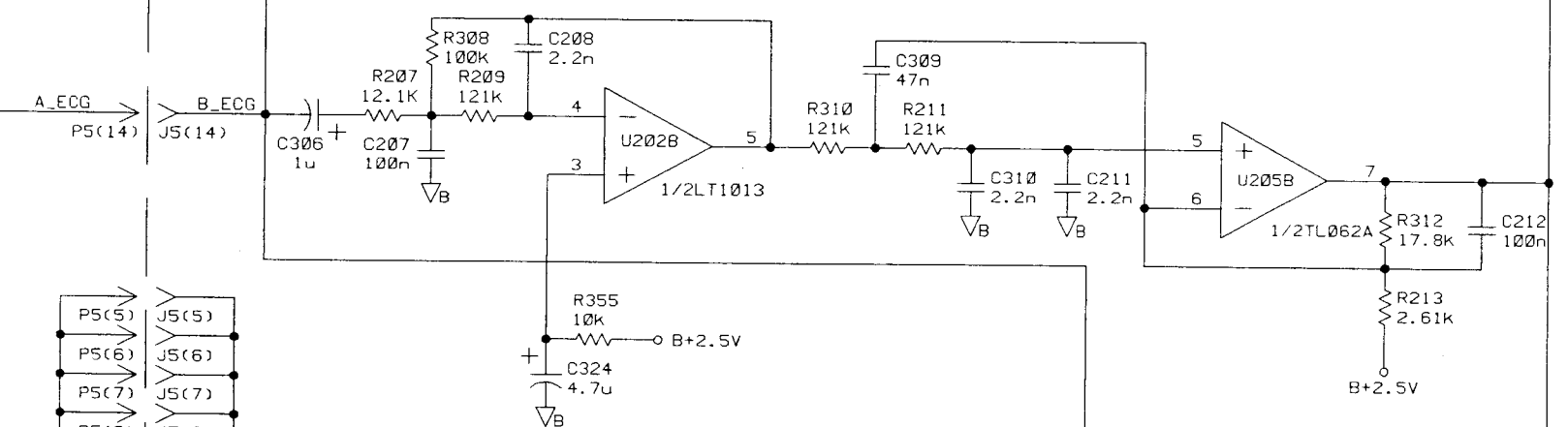


B_GAIN0	J6(8)	P6(8)	A_GAIN0
B_GAIN1	J6(9)	P6(9)	A_GAIN1
B_GAIN2	J6(7)	P6(7)	A_GAIN2
B_GAIN3	J6(6)	P6(6)	A_GAIN3
B_GAIN4	J6(5)	P6(5)	A_GAIN4
B_GAIN5	J6(4)	P6(4)	A_GAIN5
B_GAIN6	J6(3)	P6(3)	A_GAIN6
B_GAIN7	J6(2)	P6(2)	A_GAIN7
B+2.5V	J6(19)	P6(19)	+2.5V
B+5V	J6(20)	P6(20)	+5V
B-3.5V	J6(18)	P6(19)	-3.5V

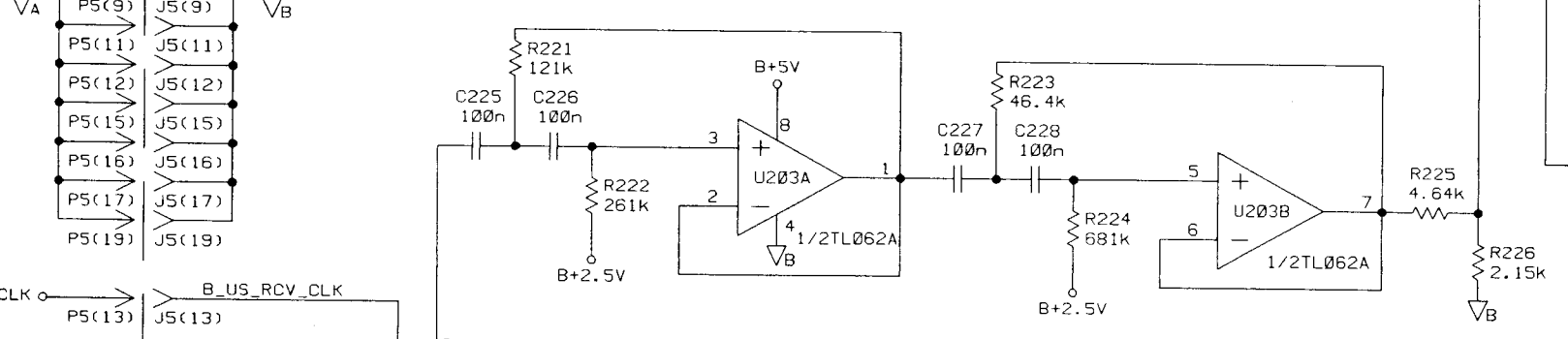
ECG ELECTRODE DETECTION



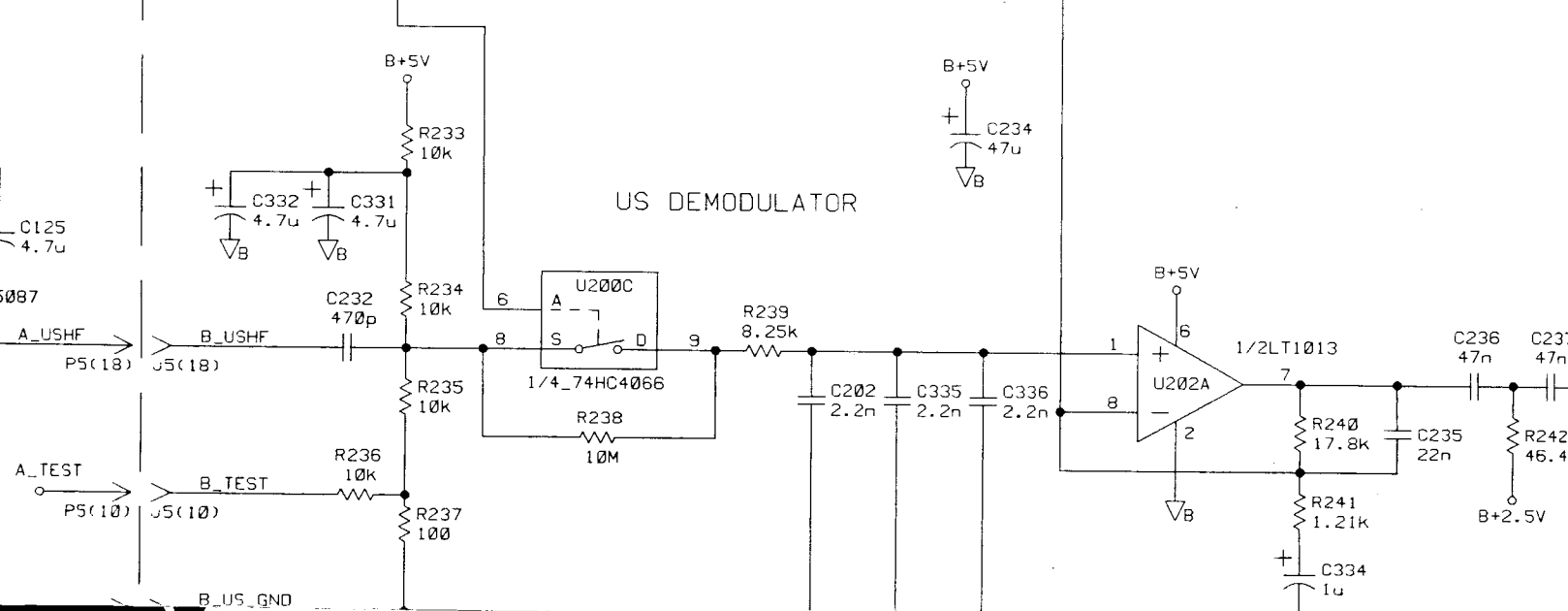
ECG AMPLIFIER



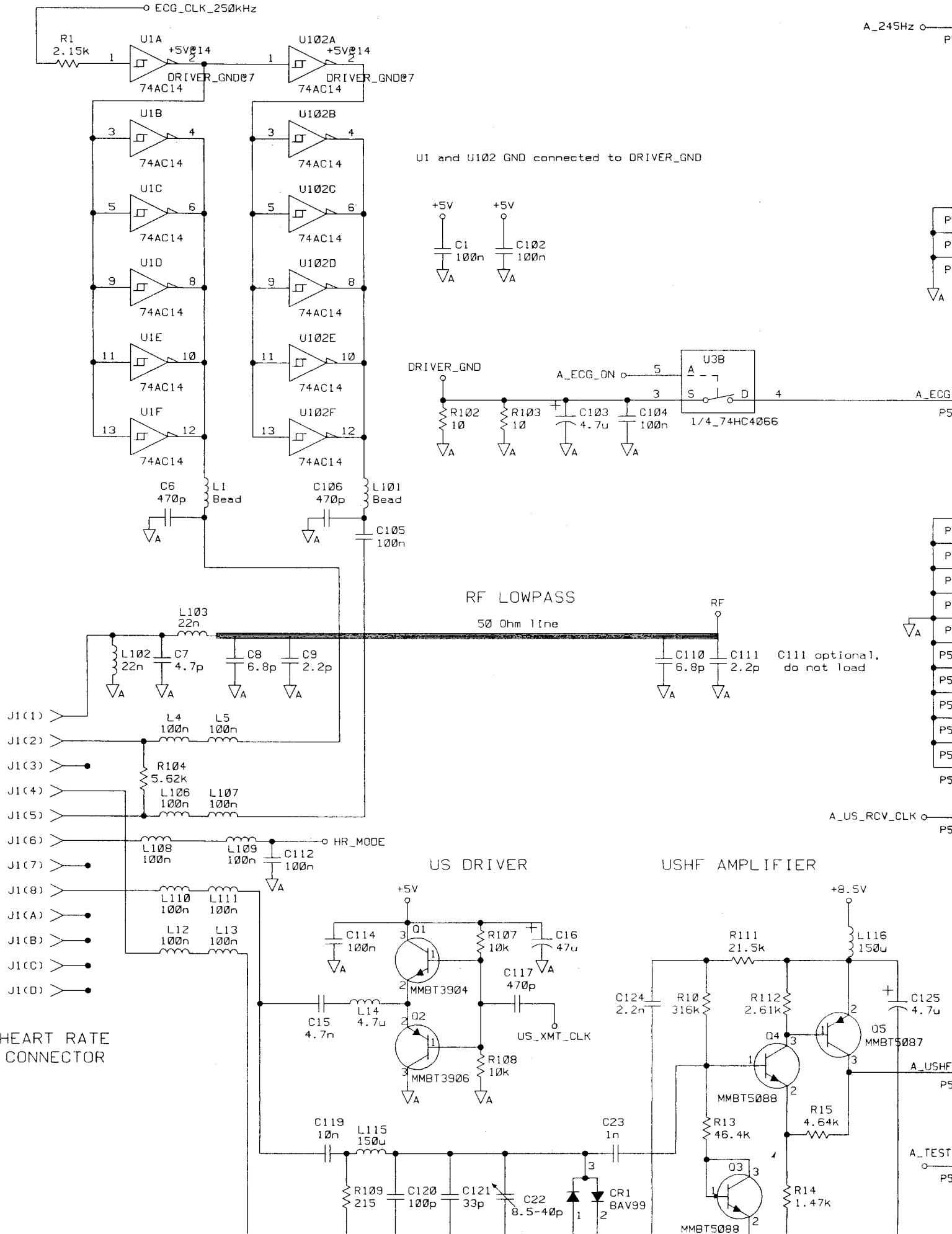
FMP FILTER

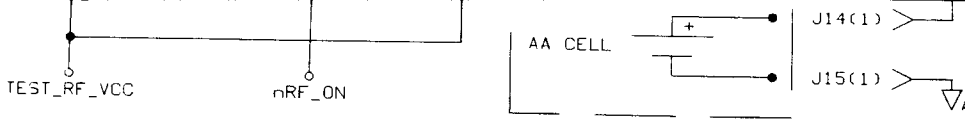


US DEMODULATOR

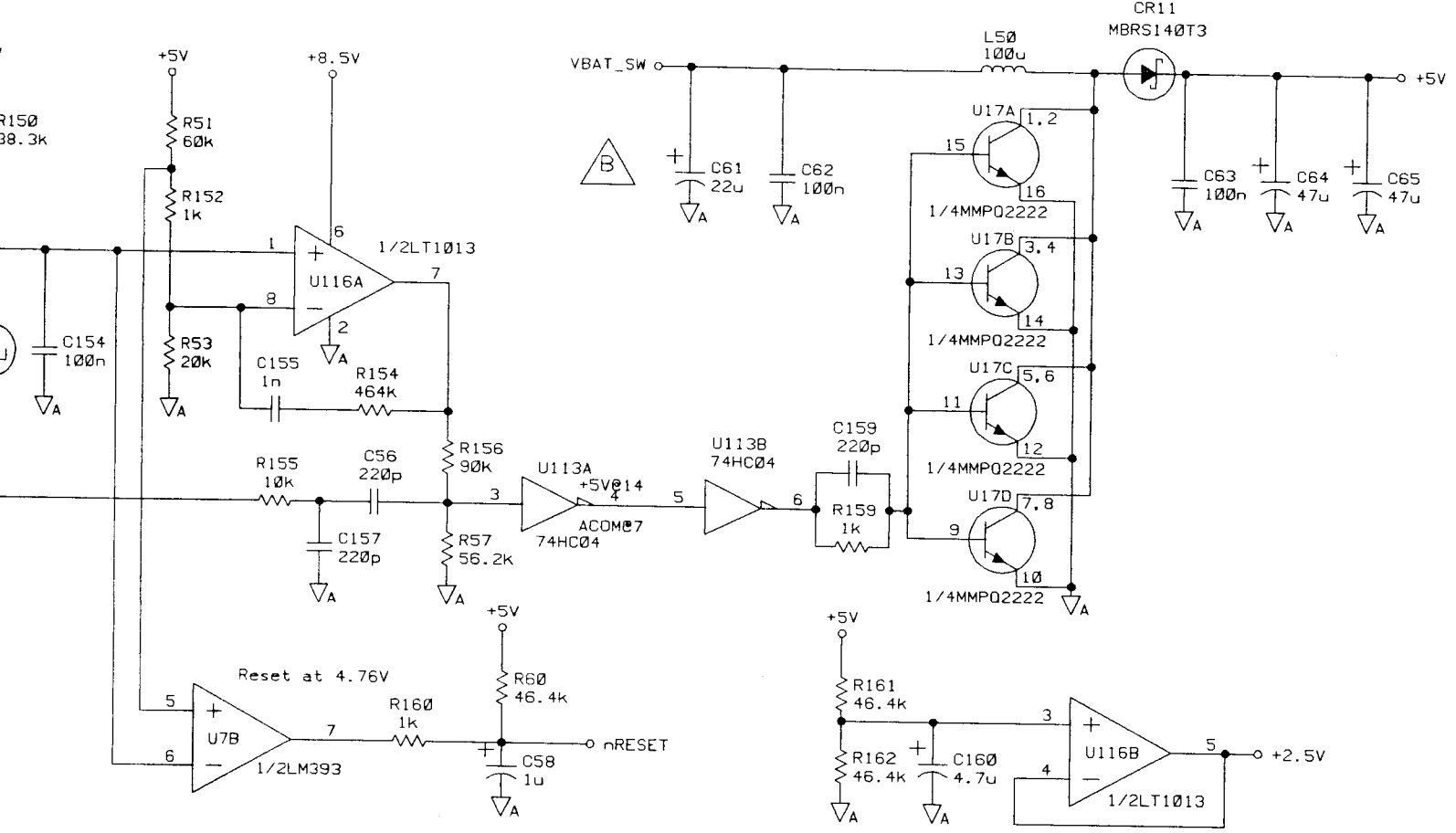


ECG DRIVER

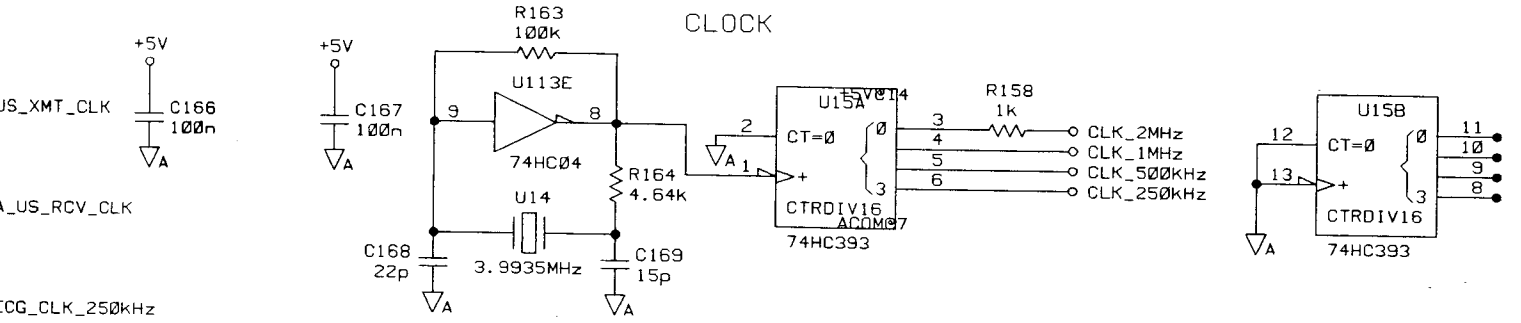




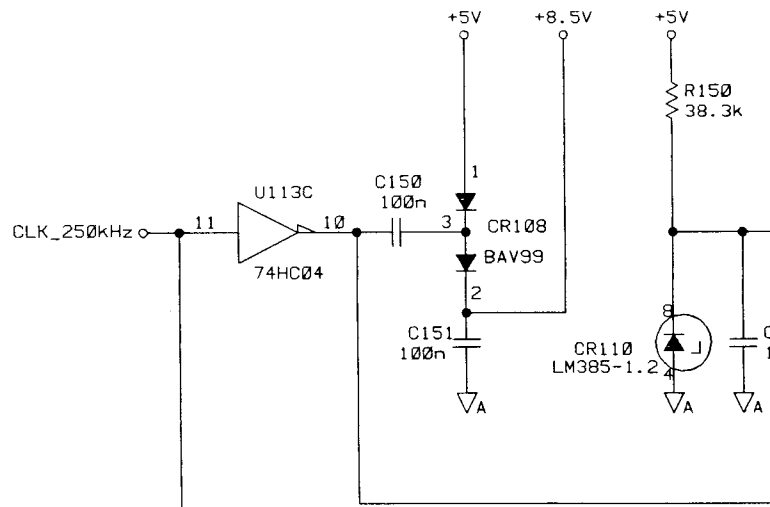
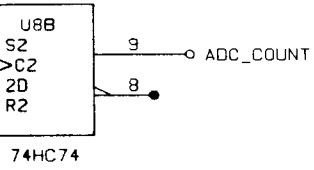
POWER SUPPLY



CLOCK

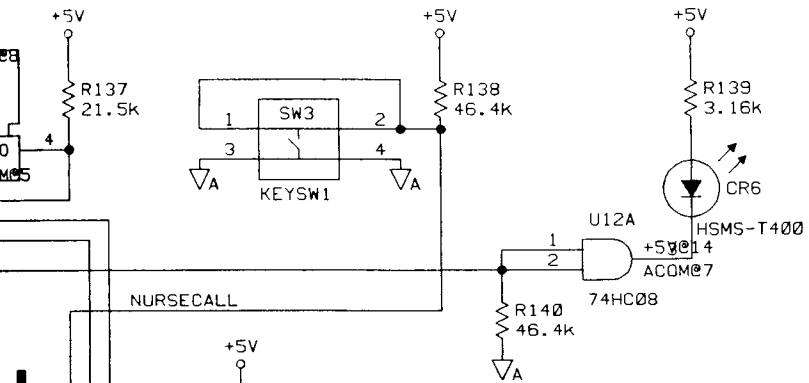


ITEM	QTY.	PART/MATERIAL-DESCRIPTION	MAT'L-PART NO.	MAT'L-DWG. NO.	MAT'L-SPEC.
Stefan Olejniczak DRAWN BY		28.09.93 DATE	<p style="text-align: center;">SCHEMATIC Xmitter-Board</p> <p style="text-align: center;">/users/dfrank/egs/M1310A/xmitter_d TITLE</p> <p style="text-align: right;">Agilent Technologies</p> <p style="text-align: right;">M1310-66501 PART NUMBER</p>		
Stefan Olejniczak ENGINEER/CHECKER		28.09.93			
Peter Volk RELEASE TO PROD.		18.02.94			
SUPERSEDES DWG.		SCALE	SHEET 1 OF 1	D-M1310-96501-1	

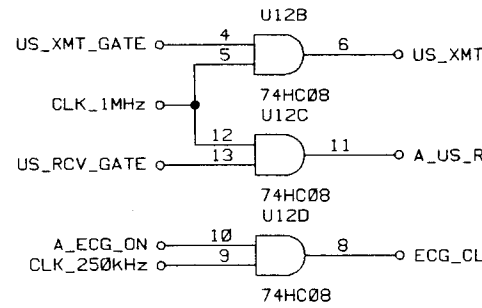


NURSECALL

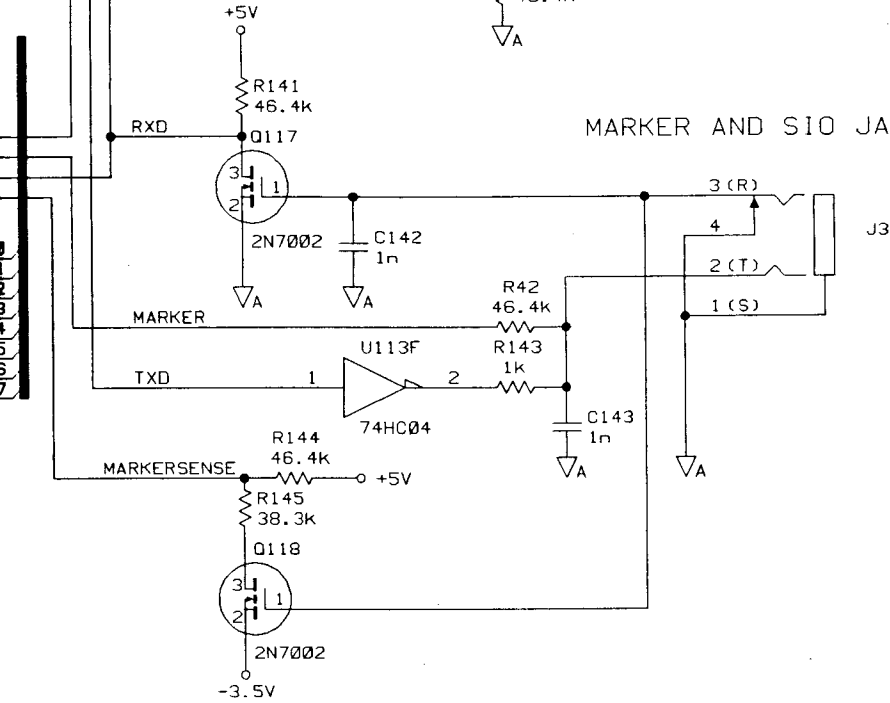
ERROR LED



GATING



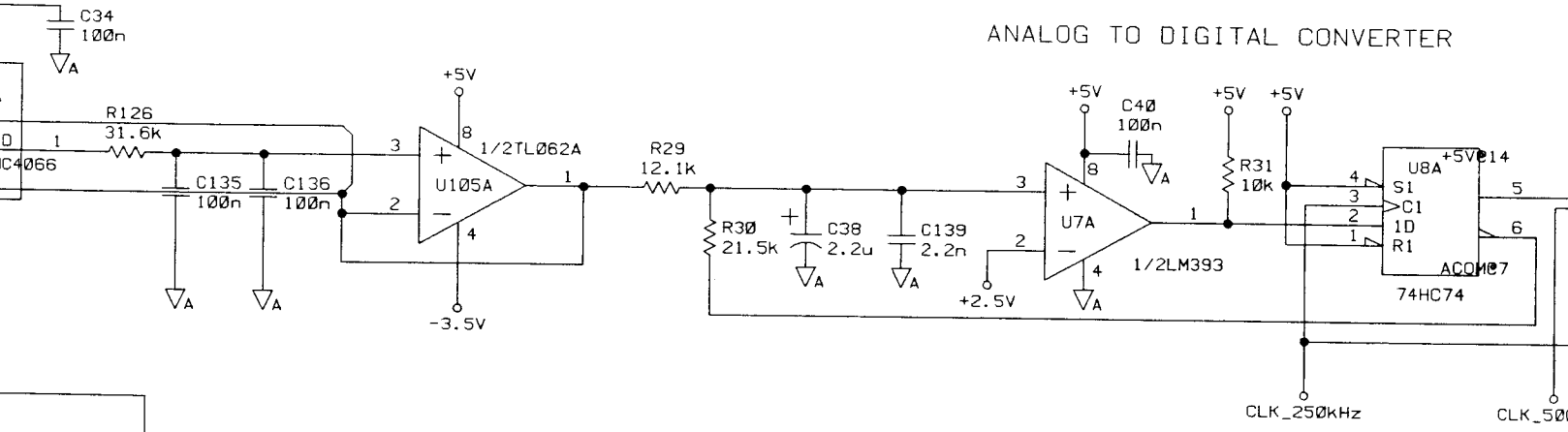
MARKER AND SIO JACK



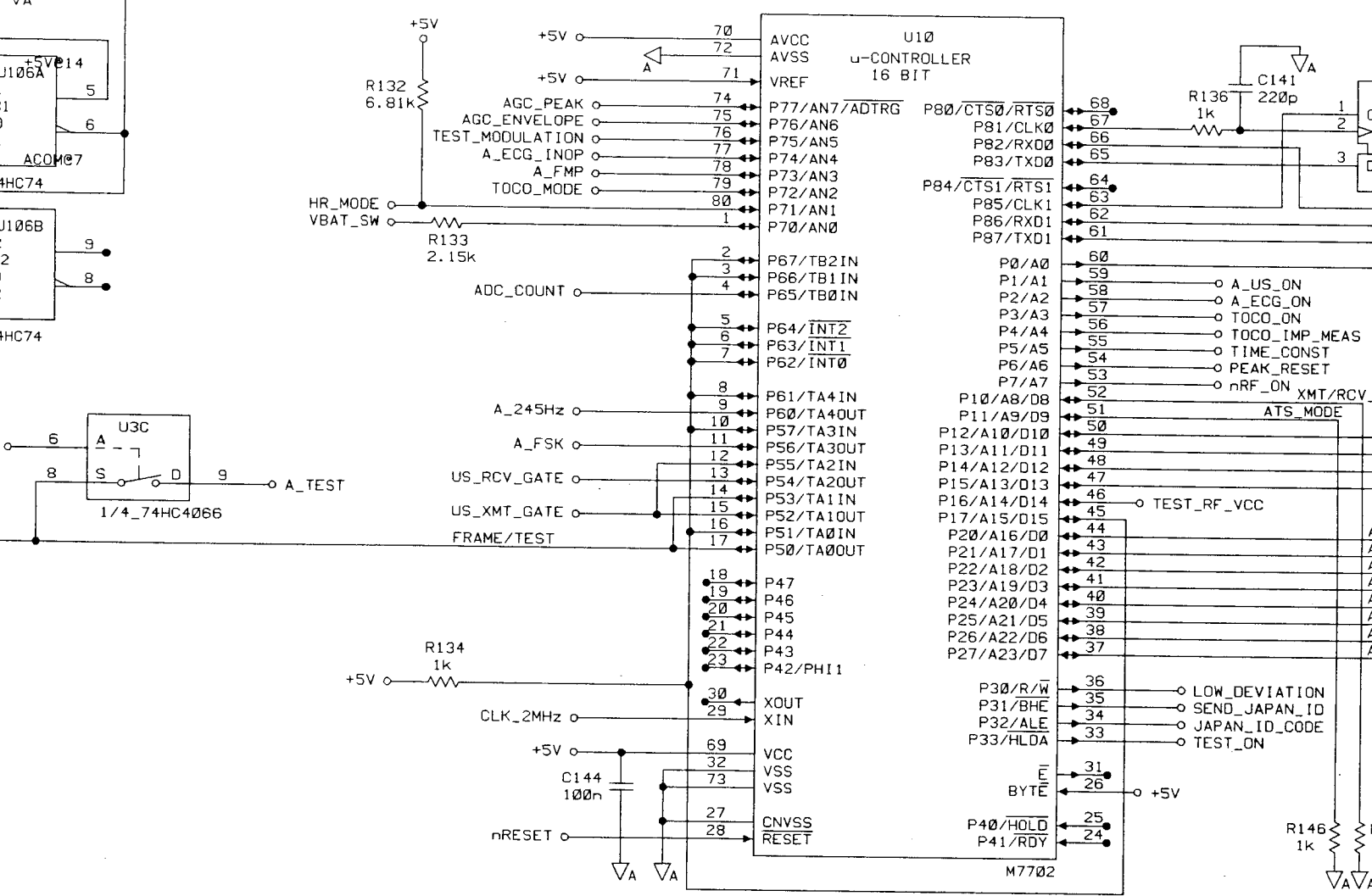
AGILENT TECHNOLOGIES PROPRIETARY
THIS DOCUMENT CONTAINS CONFIDENTIAL,
PROPRIETARY INFORMATION THAT IS AGILENT
TECHNOLOGIES PROPERTY. DO NOT DISCLOSE
TO OR DUPLICATE FOR OTHERS EXCEPT AS
AUTHORIZED BY AGILENT TECHNOLOGIES

STRENG VERTRAULICH
WEITERGABE AN DRITTE UND VERVIELFÄLTIGUNGEN
NUR MIT GENEHMIGUNG DES URHEBERS.
SCHUTZVERMERK NACH DIN 34 BEACHTEN

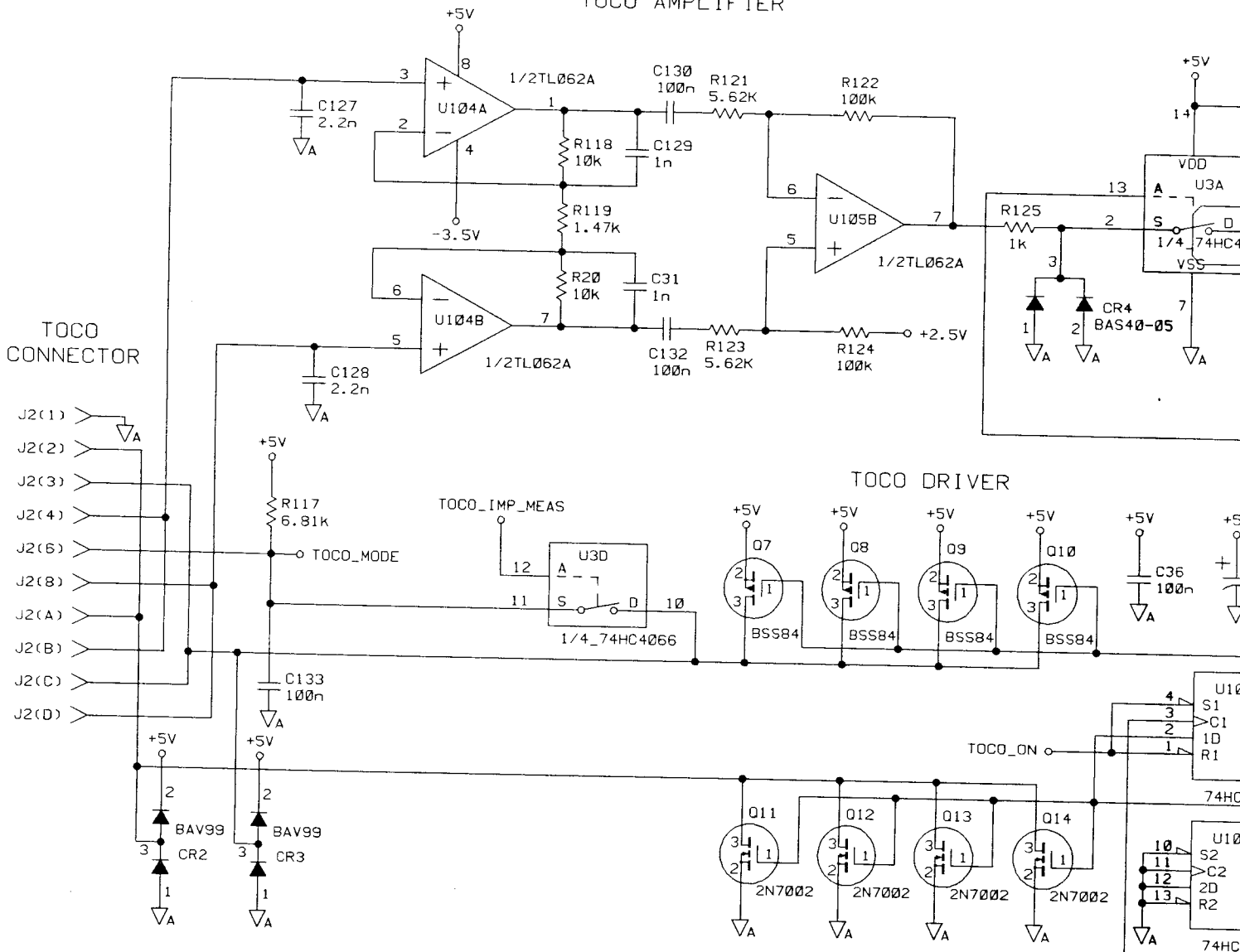
ANALOG TO DIGITAL CONVERTER



PROCESSOR



TOCO AMPLIFIER



NOTE :

Q7 REPLACED BY NDS332P P/N 1855-1051

Q11 REPLACED BY NDS331N P/N 1855-1054

Q8, Q9, Q10, Q12, Q13, Q14, SET TO - N O L O A D -

REASON : REDUCTION OF RDS(ON) TO ELIMINATE FINALTEST PROBLEMS

