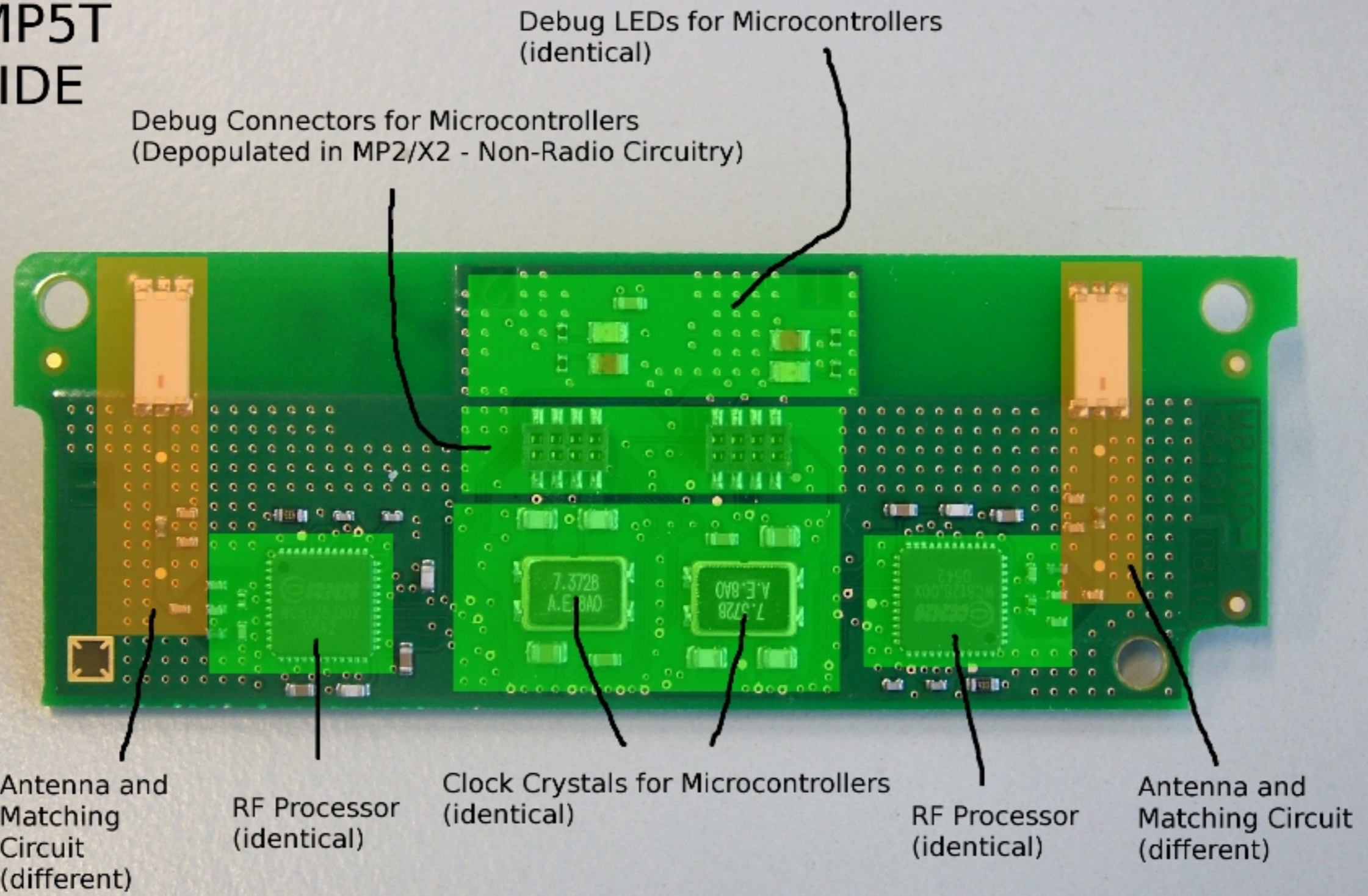
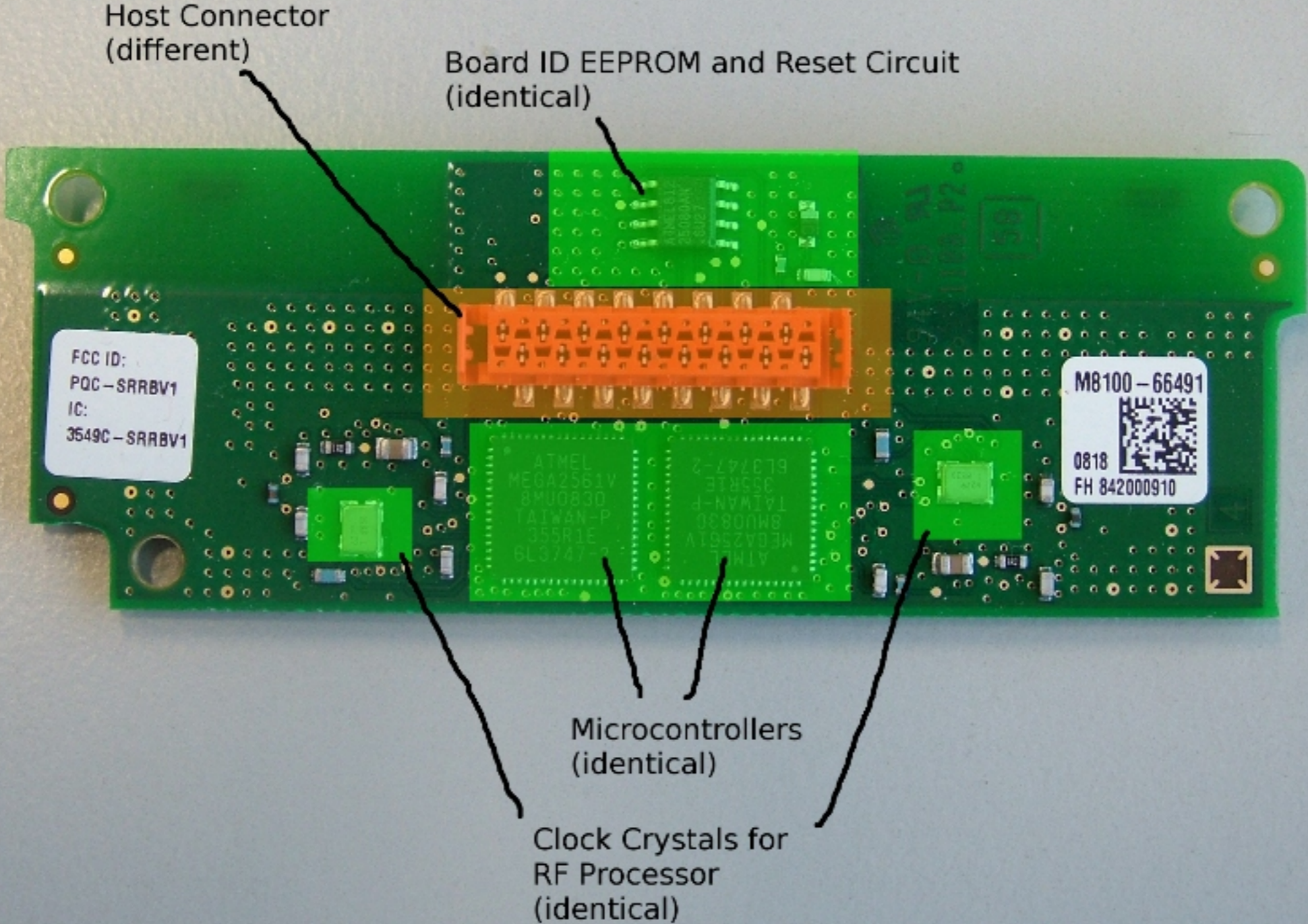


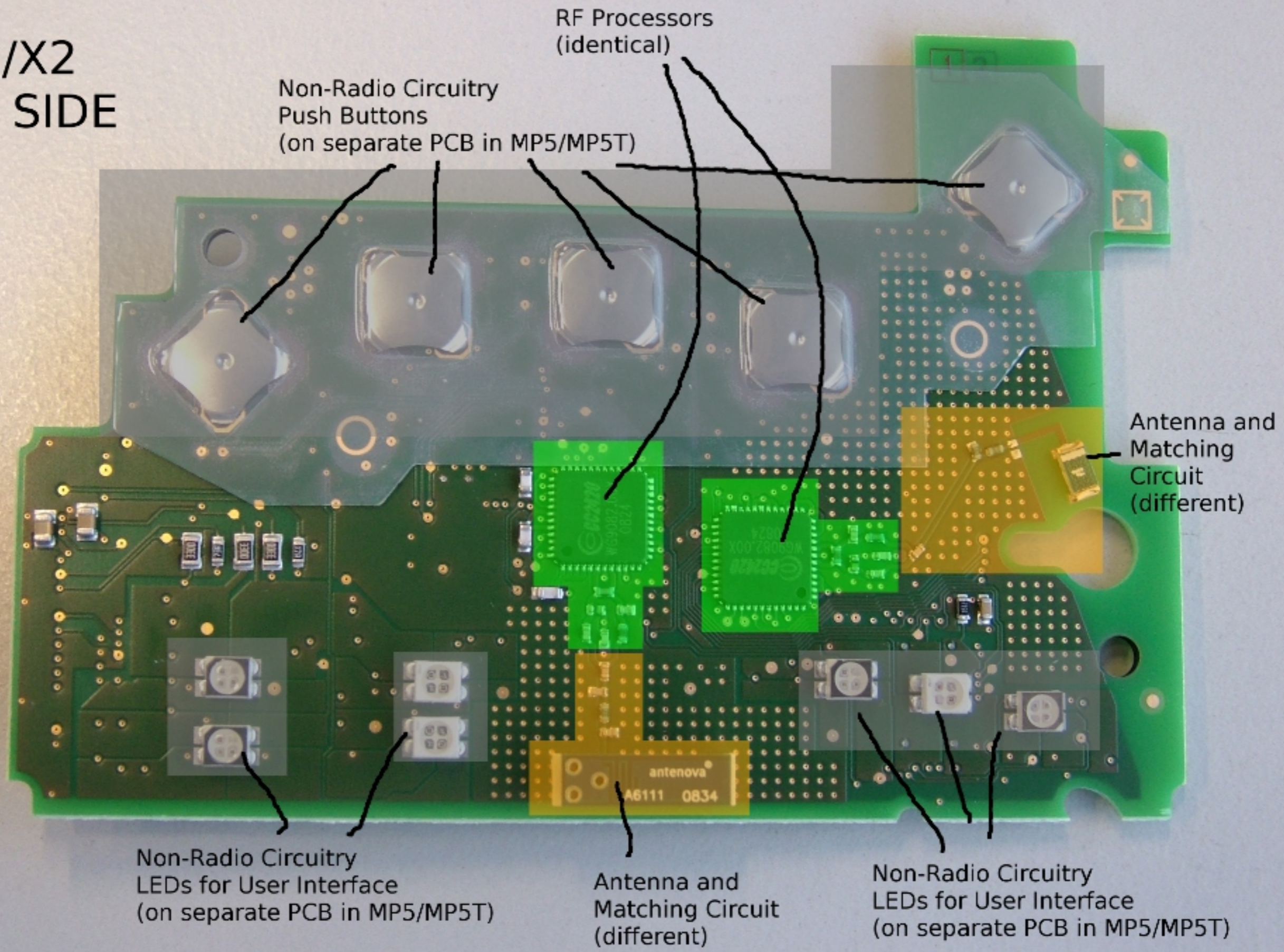
# MP5/MP5T TOP SIDE



# MP5/MP5T BOTTOM SIDE



# MP2/X2 TOP SIDE



RF Processors  
(identical)

Non-Radio Circuitry  
Push Buttons  
(on separate PCB in MP5/MP5T)

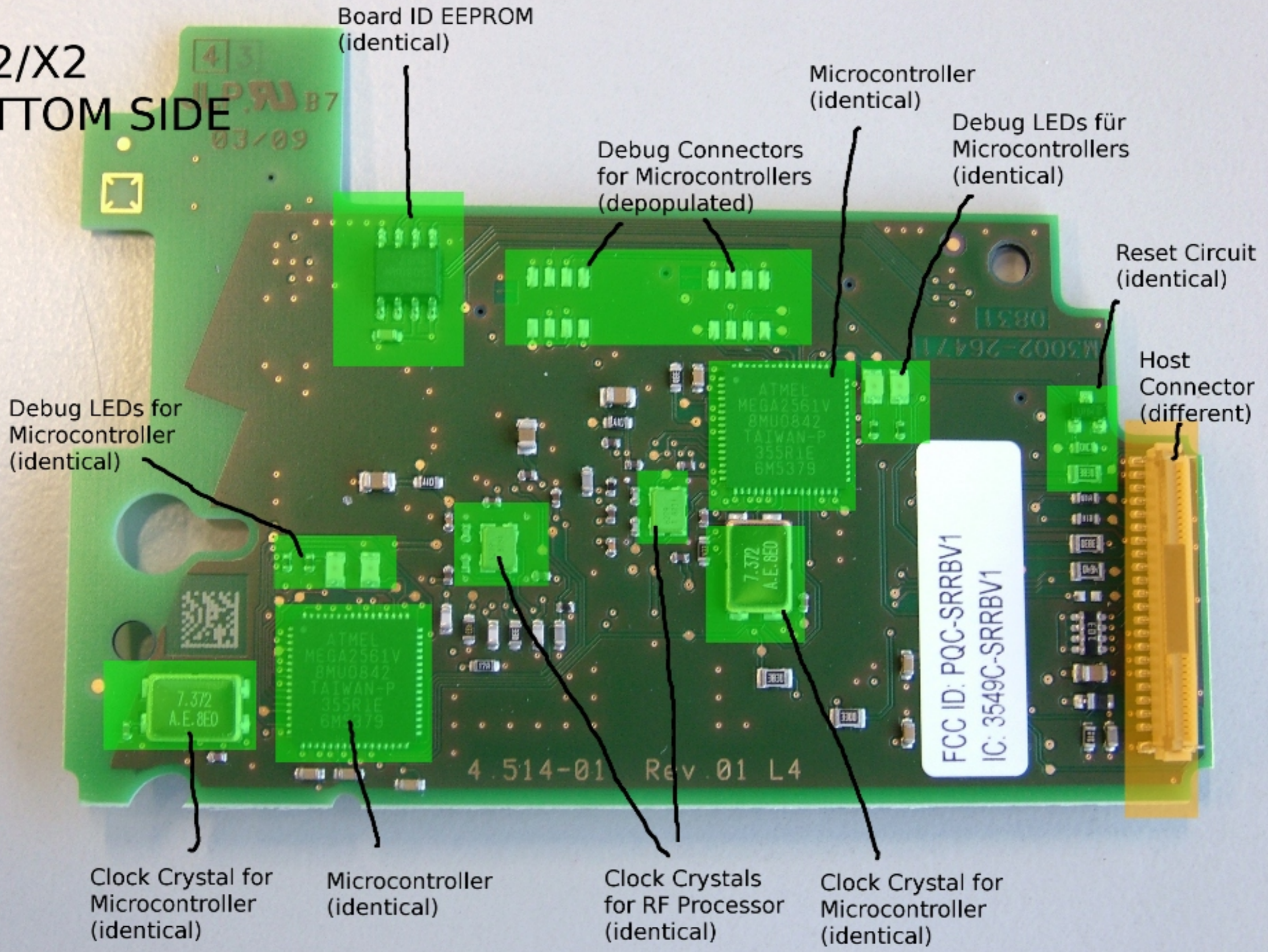
Antenna and  
Matching  
Circuit  
(different)

Non-Radio Circuitry  
LEDs for User Interface  
(on separate PCB in MP5/MP5T)

Antenna and  
Matching Circuit  
(different)

Non-Radio Circuitry  
LEDs for User Interface  
(on separate PCB in MP5/MP5T)

# MP2/X2 BOTTOM SIDE



Board ID EEPROM  
(identical)

Microcontroller  
(identical)

Debug LEDs für  
Microcontrollers  
(identical)

Debug Connectors  
for Microcontrollers  
(depopulated)

Reset Circuit  
(identical)

Host  
Connector  
(different)

Debug LEDs for  
Microcontroller  
(identical)

FCC ID: PQC-SRRBV1  
IC: 3549C-SRRBV1

Clock Crystal for  
Microcontroller  
(identical)

Microcontroller  
(identical)

Clock Crystals  
for RF Processor  
(identical)

Clock Crystal for  
Microcontroller  
(identical)

4 514-01 Rev. 01 L4