

WCR External Connector Mount Antenna

External Wireless Device Antenna



WCR EXTERNAL CONNECTOR MOUNT ANTENNA

This antenna has been configured specifically for fixed deployment, directly mounted to access points. The antenna is with smaller size and softer rubber type sheath compared to the standard sleeve dipole type antenna which is equipped with an articulating knuckle allowing for both straight and right angle installation.

FEATURES

- Small in size and
- Cover 2.4 to 2.5GHz for 802.11b/g.
- Omni directional gain patterns
- Conformance to RoHS
- Connector mount

MARKETS

- 802.11,
- Bluetooth®

TYPICAL ELECTRICAL SPECIFICATIONS

Frequency	2.4 - 2.5 GHz
Gain	2 dBi
Average Efficiency	70%
Polarization	Vertical, Omnidirectional Radiation pattern
Nominal Impedance	50 Ohms
VSWR	2:1 max across all bands
Size	97mm x 10.5mm (Straight), 79mm x 10.5mm (90 Degree)

CABLES AND CONNECTORS

PART No.	CONNECTOR
MAF94414	RPSMA Gold Plated
MAF94415	SMA Gold Plated
MAF94416	SMA Nickel Plated
MAF94259	RPSMA Nickel Plated

global solutions: local support.

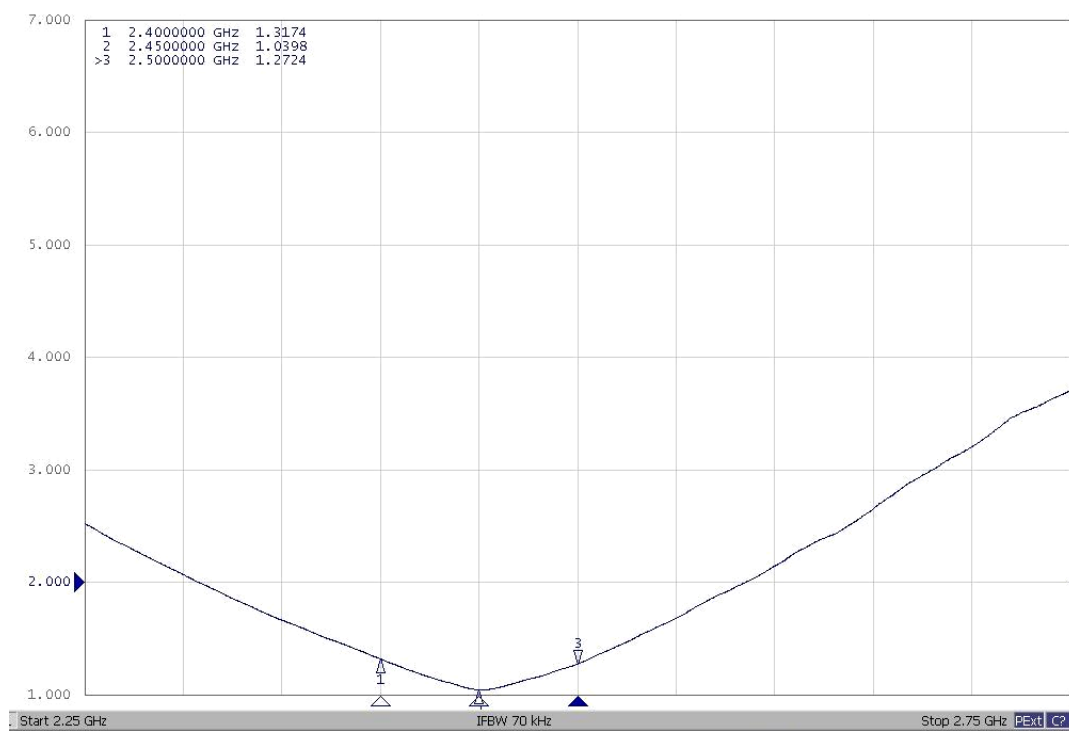
Americas: +1.847.839.6907
IAS-AmericasEastSales@lairdtech.com

Europe: +1.32.80.7866.12
IAS-EUSales@lairdtech.com

Asia: +1.65.6.243.8022
IAS-AsiaSales@lairdtech.com

www.lairdtech.com

VSWR



global solutions: local support

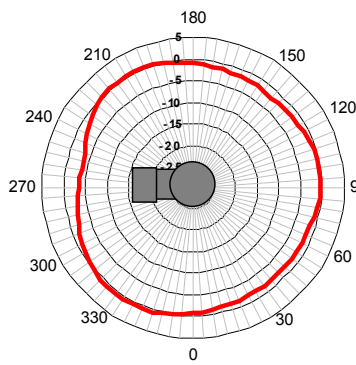
Americas: +1.847.839.6907
IAS-AmericasEastSales@lairdtech.com

Europe: +1.32.80.7866.12
IAS-EUSales@lairdtech.com

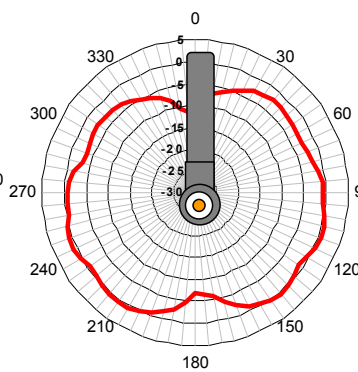
Asia: +1.65.6.243.8022
IAS-AsiaSales@lairdtech.com

www.lairdtech.com

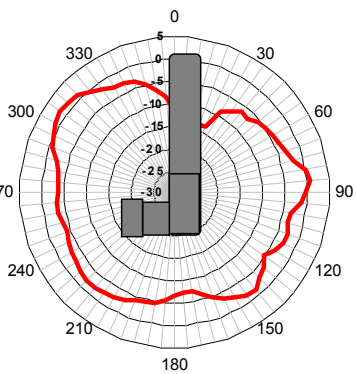
TYPICAL RADIATION PATTERNS



Azimuth Plane



Elevation 0 Plane



Elevation 90 Plane

global solutions: local support™

Americas: +1.847.839.6907
IAS-AmericasEastSales@lairdtech.com

Europe: +1.32.80.7866.12
IAS-EUSales@lairdtech.com

Asia: +1.65.6.243.8022
IAS-AsiaSales@lairdtech.com

www.lairdtech.com