

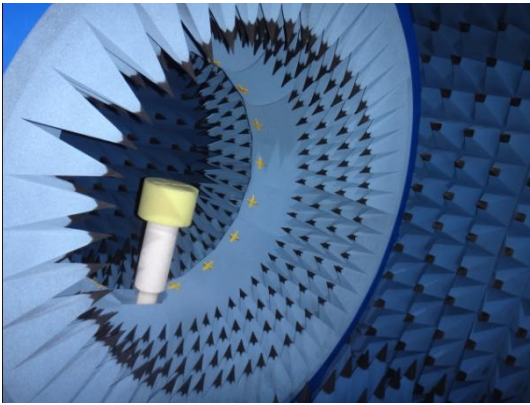
Testing report



Client's Name	IPRO	Model	S300
Debug band	G900/1800/850/1900 W850/900/1900, LTE: FDD 2/4/7/8/28A/28B	Structure	FPC
Antenna type	PIFA	Date	2022-9-23

深圳市安弗特电子有限公司

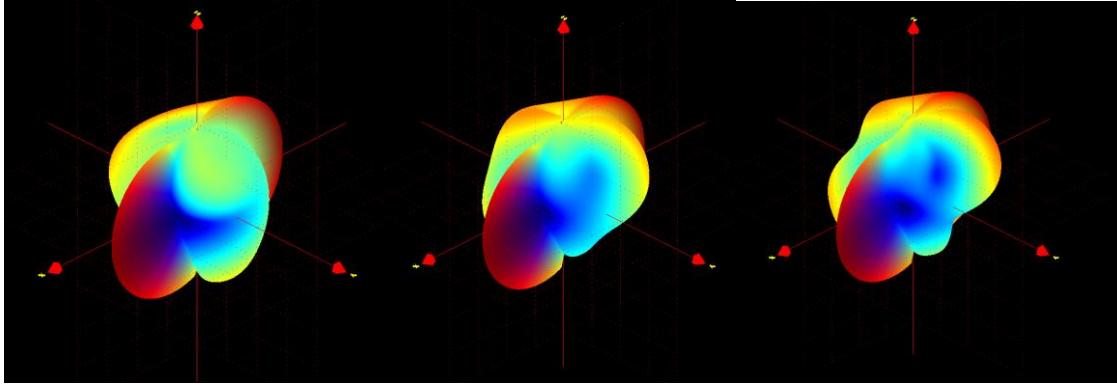
AFT tech Electronic Co., Ltd. (Shenzhen)



Originally imported from the French SATIMO company's StarLab 3D laboratory, it can accurately and quickly test the parameter data such as TRP, TIS, efficiency, gain, apple map, and pattern of communication terminal products such as mobile phones, tablet computers and notebooks.

深圳市安弗特电子有限公司
AFT tech Electronic Co., Ltd. (Shenzhen)

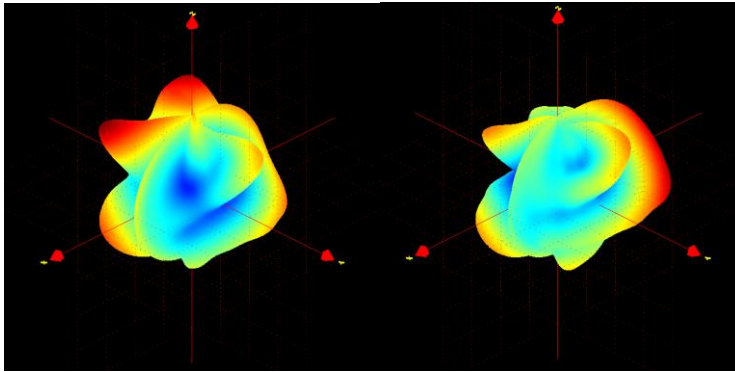
Frequency (MHz)	Gain (dBi)
28A/B (703MHz~748MHz)	-2.1
850/W5 (824MHz~894MHz)	-2.2
900/W8/LTE-B8 (880MHz~960MHz)	-1.3
1800/LTE-B4 (1710MHz~2155MHz)	-1.3
1900/W2/LTE-B2 (1850MHz~1990MHz)	-1.5
LTE-B7 (2500MHz~2690MHz)	1.8
BT/WIFI2.4 (2400MHz~2500MHz)	1.3



28A/B

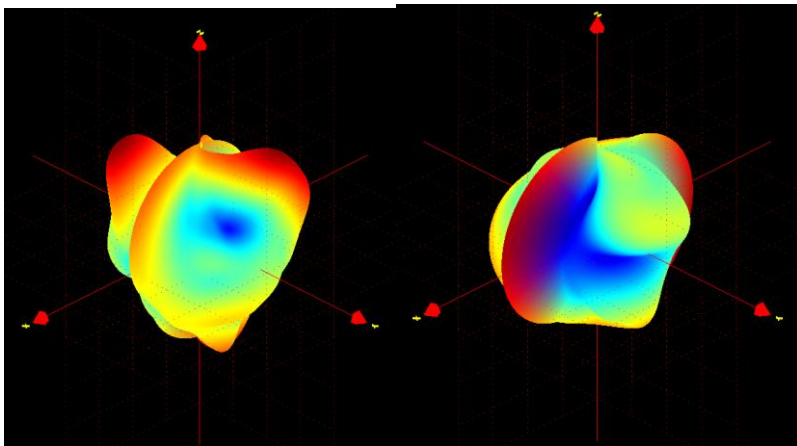
850/W5

900/W8/LTE-B8



1800/LTE-B4

1900/W2/LTE-B2

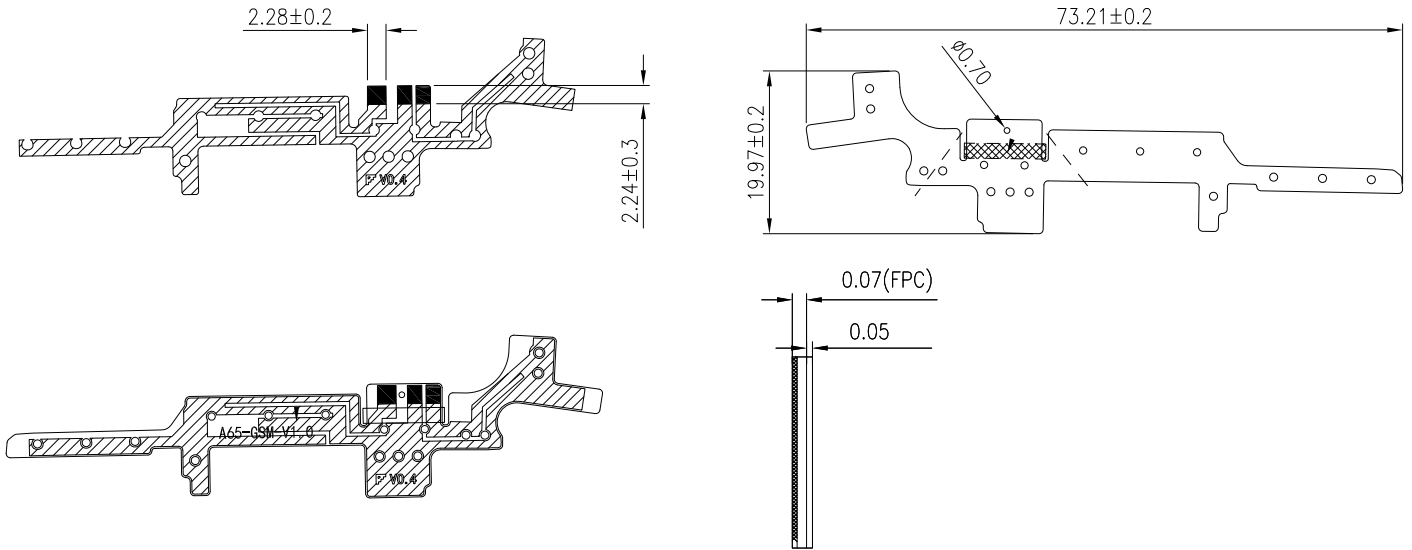


LTE-B7

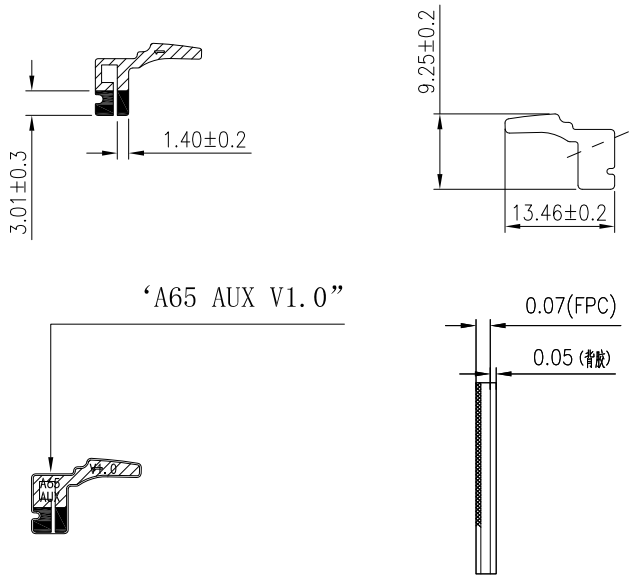
2.4/BT

Antenna size:

LTE/WCDMA/GSM main antenna



LTE/WCDMA/GSM diversity antenna



BT/WIFI

