



Antenna Specifications

Heyuan Xunwei Communication Technology
Co., Ltd

RF Engineer: Wang Xinfeng

TestDate: June 19, 2023

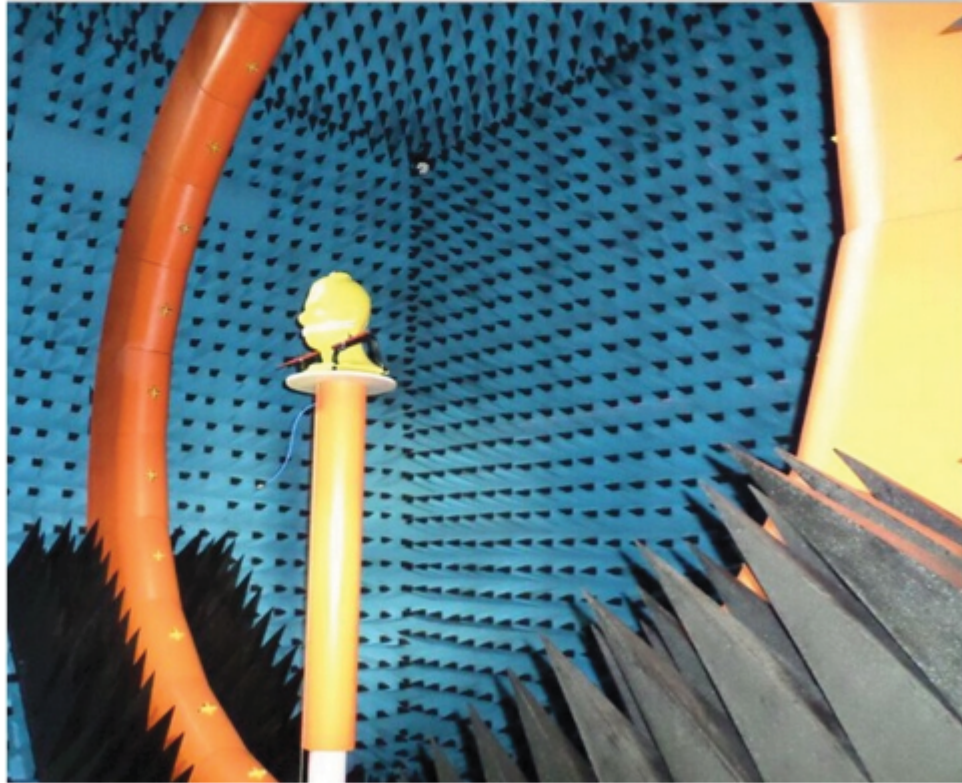
Office address: Block M, 8th Floor, Building 1, Baisha Xinxing Industrial Park,
No. 3011 Shahe West Road, Nanshan District, Shenzhen

Test equipment

Wireless communications test set: CMW500

Network Analyzer: Agilent 5071B

Anechoic Chamber : SATIMO SG24

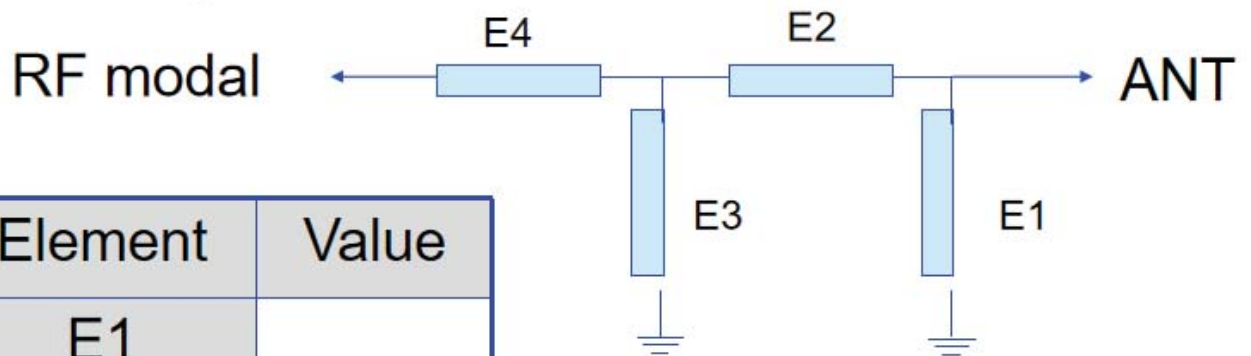


Antenna information

Customer	Boat of wealth	
Antenna model	FPC	
Antenna type	PIFA	

frequency range (MHz)	603mhz-960mhz	1710mhz-2690mhz
VSWR	<3.5	<3.5

Matching circuit (No modification)

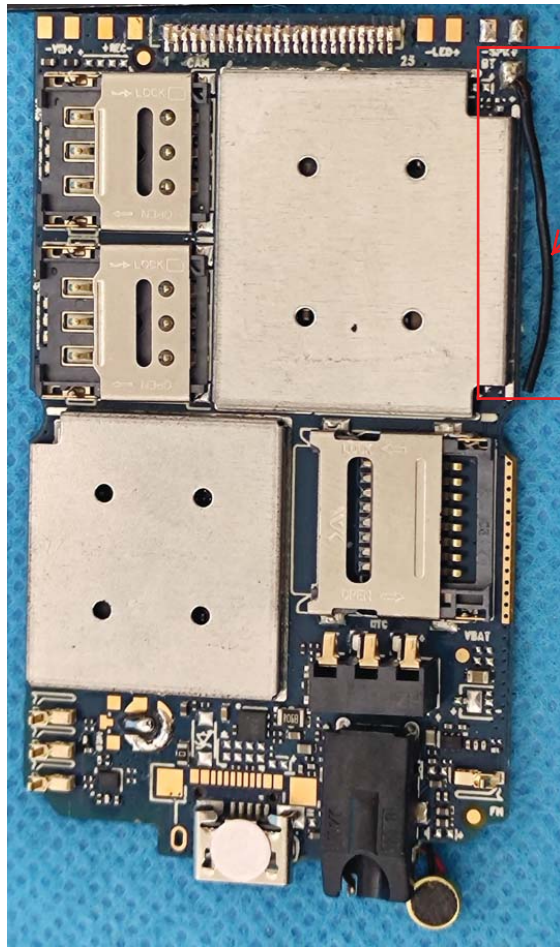


Element	Value
E1	
E2	
E3	
E4	

1. Antenna location map (reflecting the positions and frequency bands of all antennas)



GSM/WCDMA/LTE ANT



BT ANT

All of Implementation antenna

Main antenna(Antenna Label:A):

EGSM900/GSM850/DC1800/PCS1900+WCDMA1900/WCDMA900/WCDMA850+LTE-B2/B4/B7/B8/B28
BT 2.4~2.5G

Average antenna gain:

EGSM900:-0.61dBi

GSM850: -0.68dBi

DCS1800: -0.53dBi

PCS1900: -0.54dBi

WCDMA1900: -0.54dBi

WCDMA900: -0.61dBi

WCDMA850: -0.68dBi

LTE-B2: -0.54dBi

LTE-B4: -0.53dBi

LTE-B7: -0.68dBi

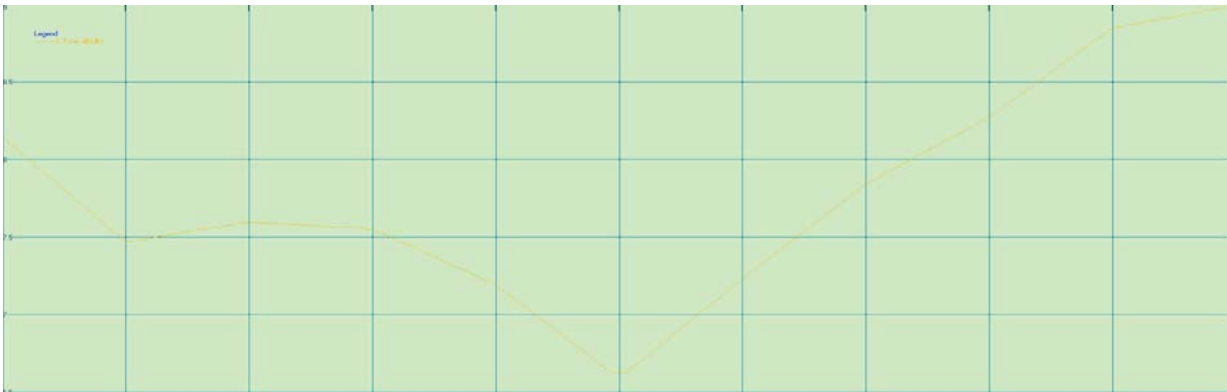
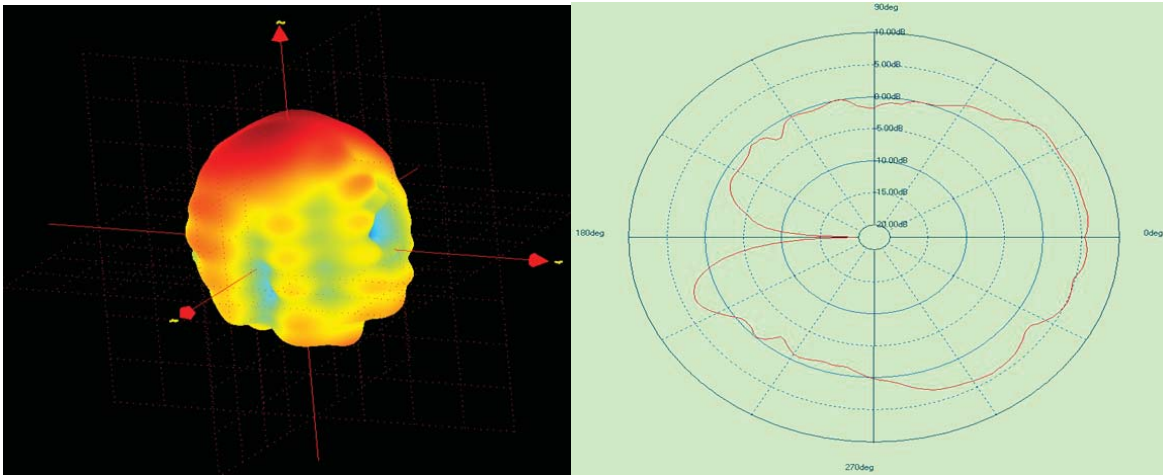
LTE-B8: -0.61dBi

LTE-B28: -0.45dBi

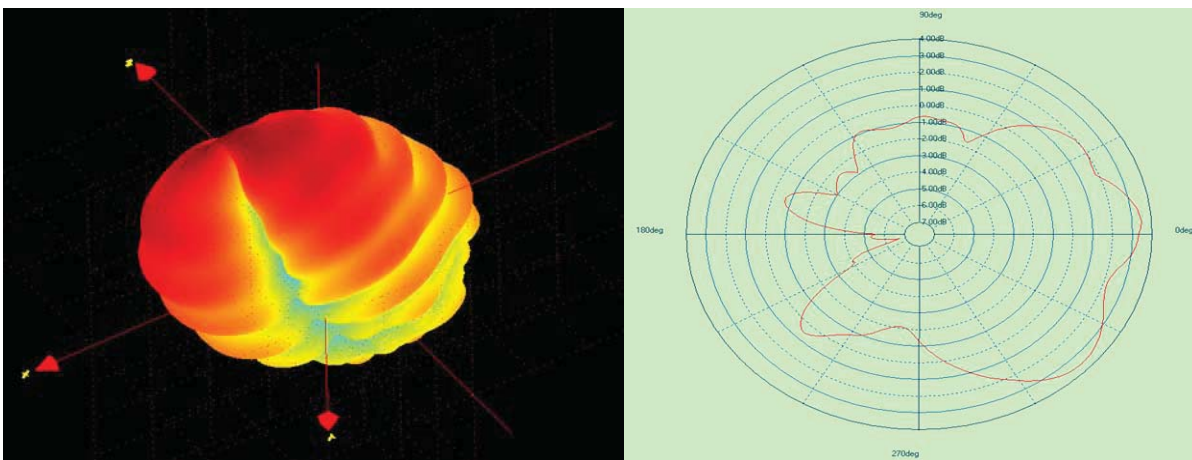
BT: -1.02dBi

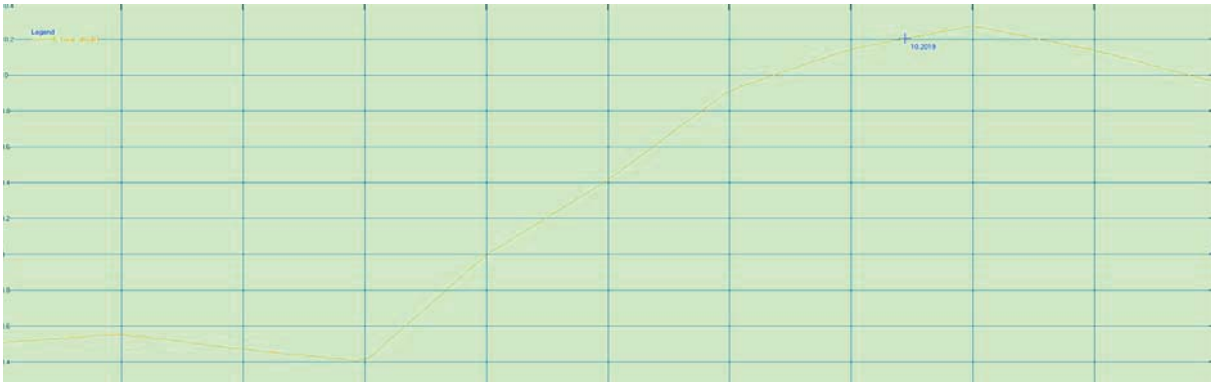
2. Antenna apple pattern/directional pattern

603MHZ~960MHZ

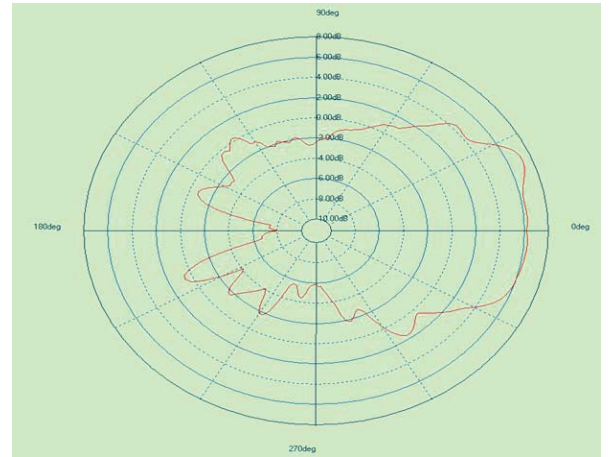
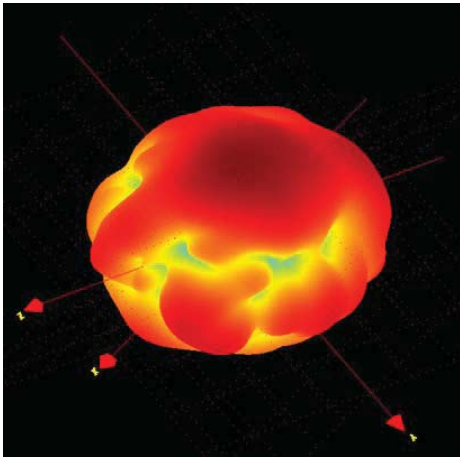


1710MHZ~2170MHZ

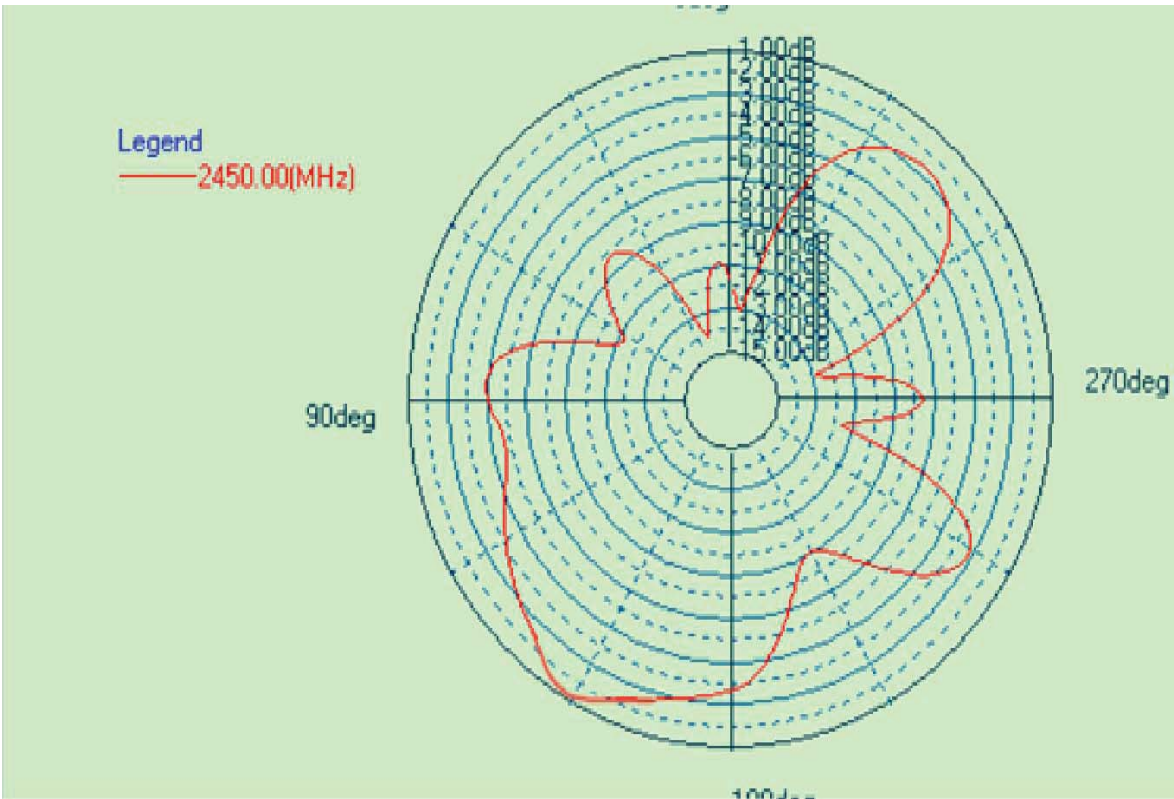
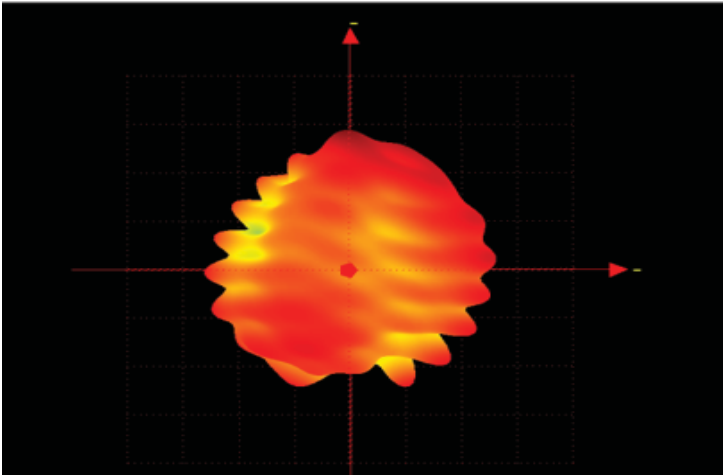




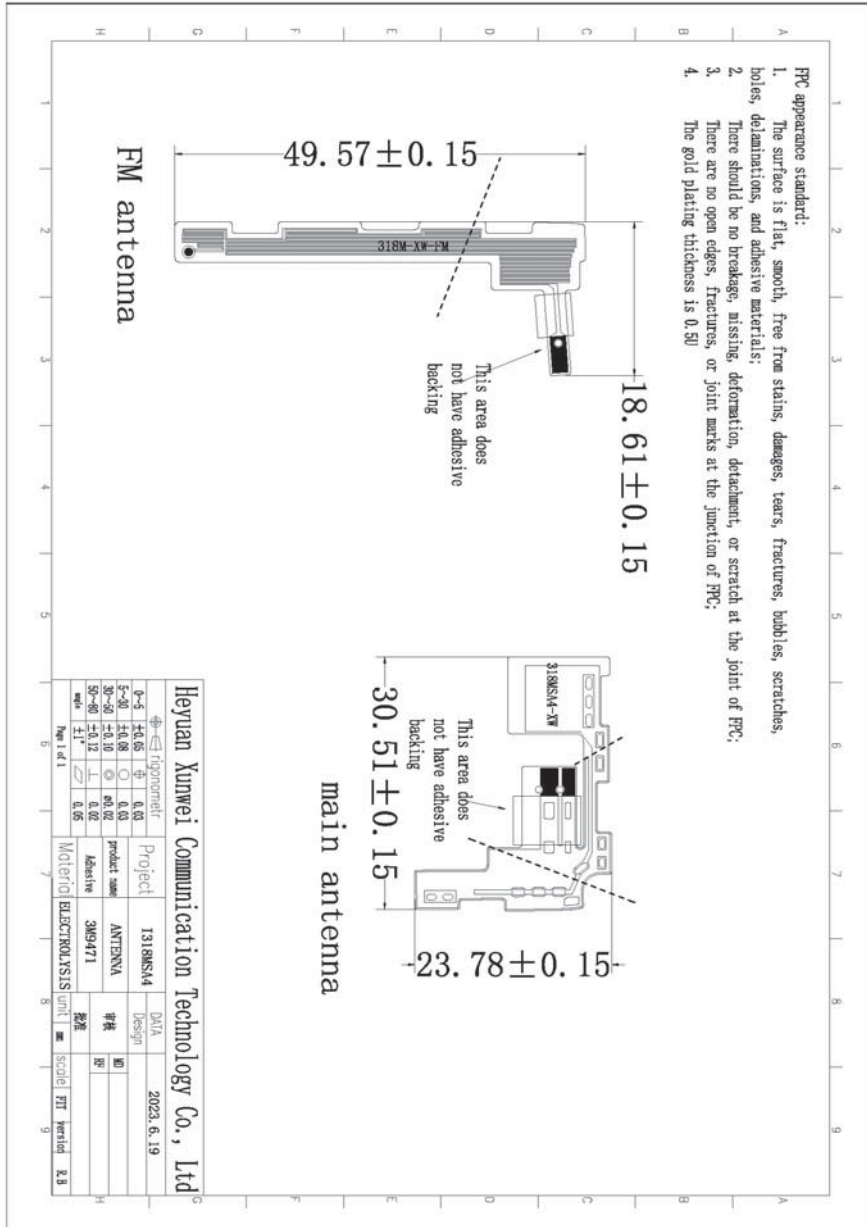
2500MHZ~2700MHZ



2400MHZ~2500MHZ (BT)



Antenna size diagram



version	Modification content	Modified by	Date
T:B			



Heyuan Xunwei Communication Technology Co., Ltd			
	unit: mm	name: Bluetooth	
general tolerance:		Item No.:	Bluetooth cable
X	± 0.5	texture of material:	copper
XX	± 0.25	Surface Preparation:	Cleaning
.XXX	± 0.15	Color:	black
ANGULAR	± 0.05	Scale:	1:1
	± 0.5	MD:	Wenholi
		RF:	Wang
		affirm:	Song
		version:	A