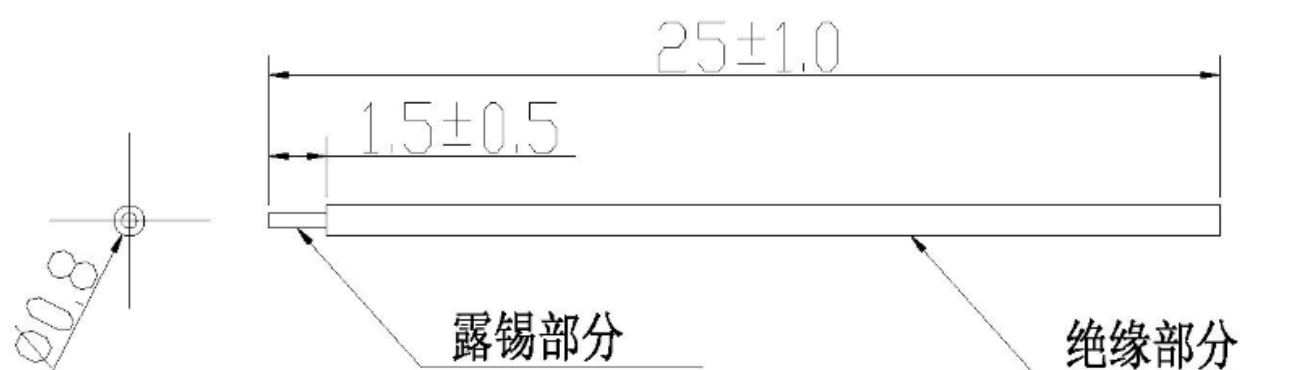
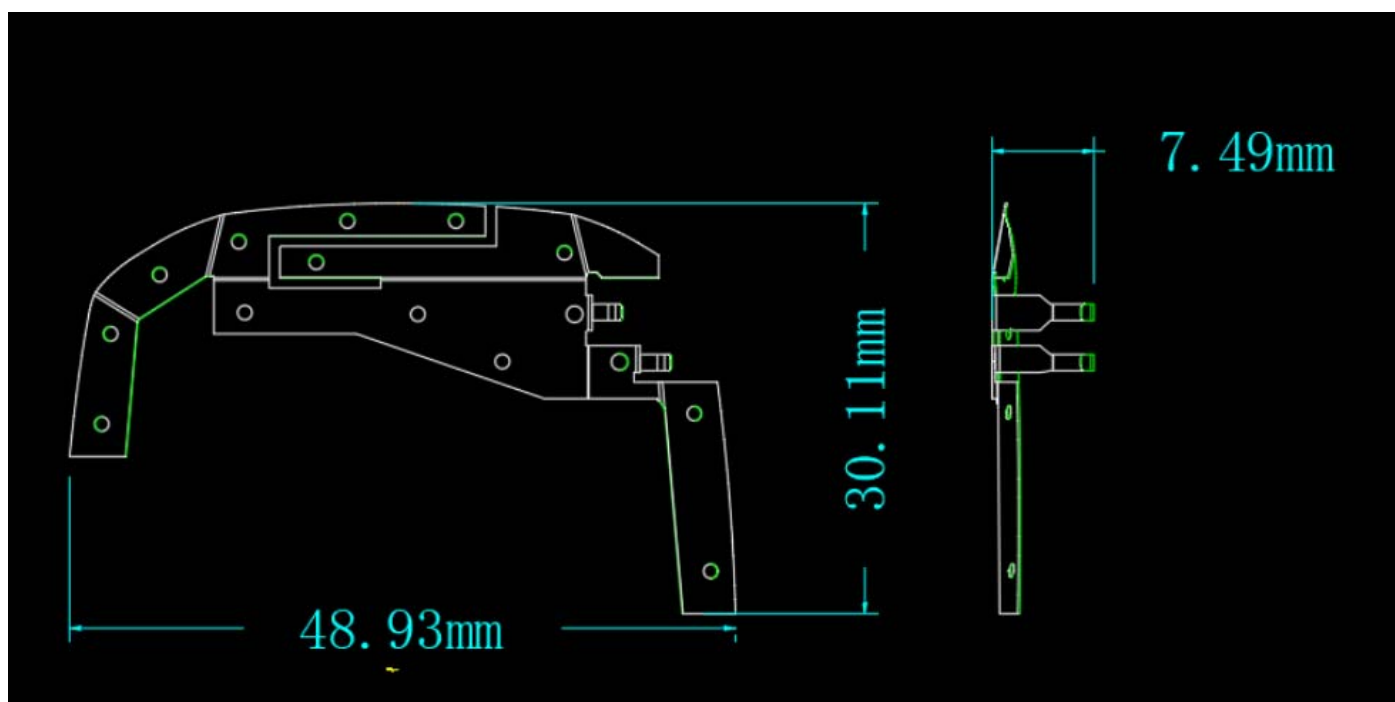


河源市迅维通讯技术有限公司

Heyuan Xunwei Communication Technology Co., Ltd.

天线规格书 (Antenna specification)

1-1. 天线尺寸图 (Antenna size diagram)



1-2,

项目基本信息 (Basic project information)

频段(Frequency band)	<b>G900/1800/850/1900/2.4G</b>
天线类型(Type of antenna)	PIFA
公司名(Company name)	<b>河源市迅维通讯技术有限公司(Heyuan Xunwei Communication Technology Co., Ltd.)</b>
地址 Address	<b>深圳市南山区沙河西路 3011 号白沙新兴产业园 1 栋 8 楼 M 区</b> Zone M, 8th Floor, Building 1, Baisha Xinxing Industrial Park, No. 3011 Shahe West Road, Nanshan District, Shenzhen

## 2: 天线增益(Antenna gain)

EGSM900:-1.13dBi

GSM850: -1.27dBi

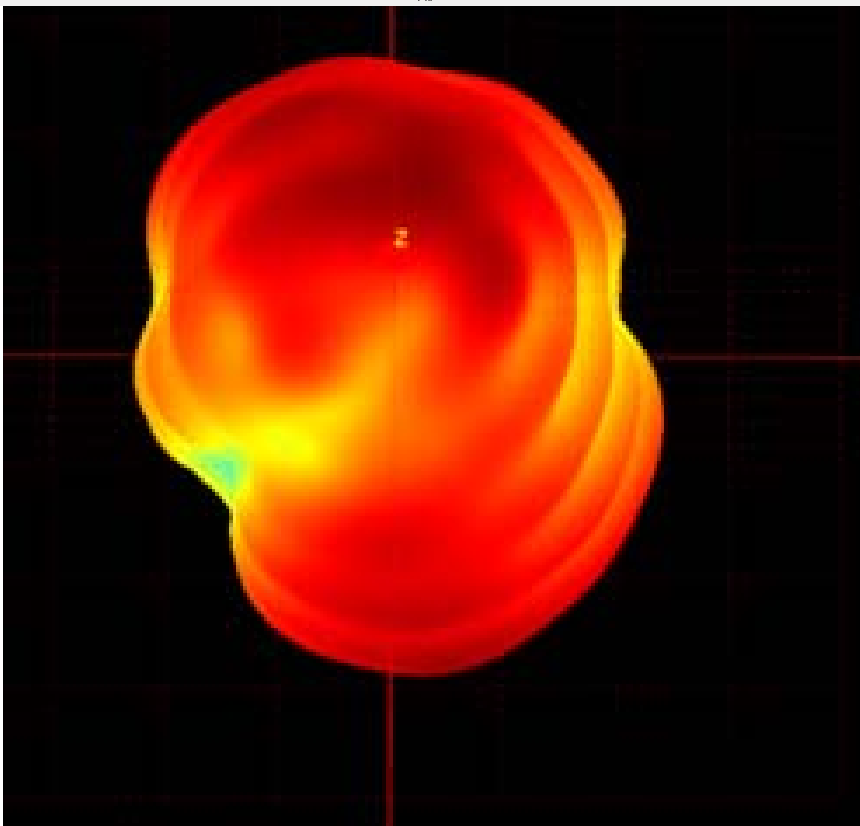
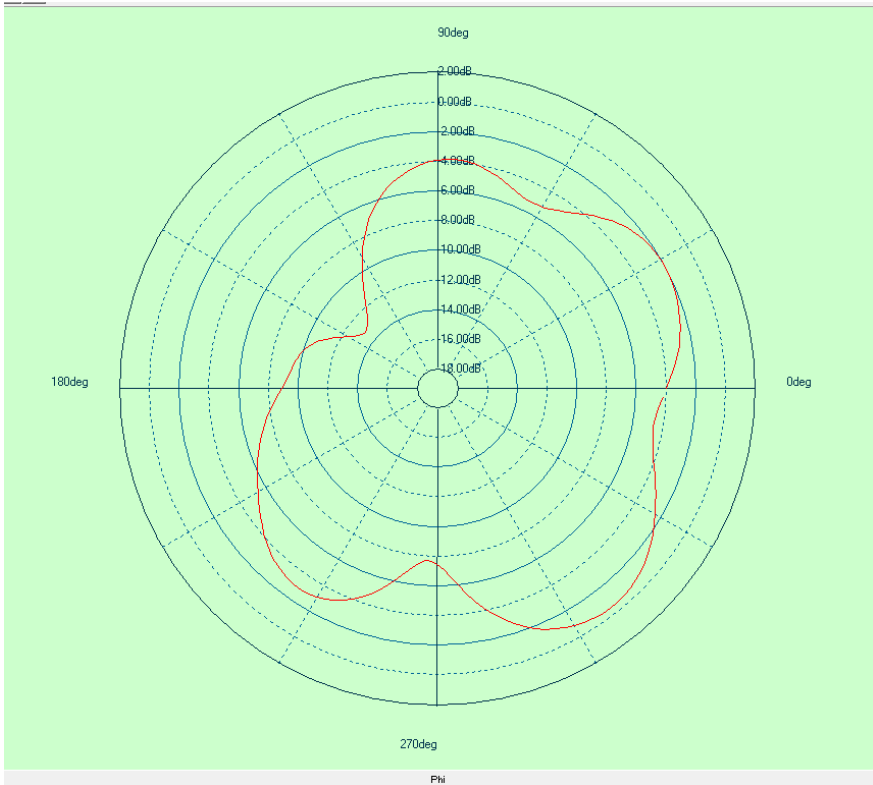
DCS1800: -1.51dBi

PCS1900: -1.75dBi

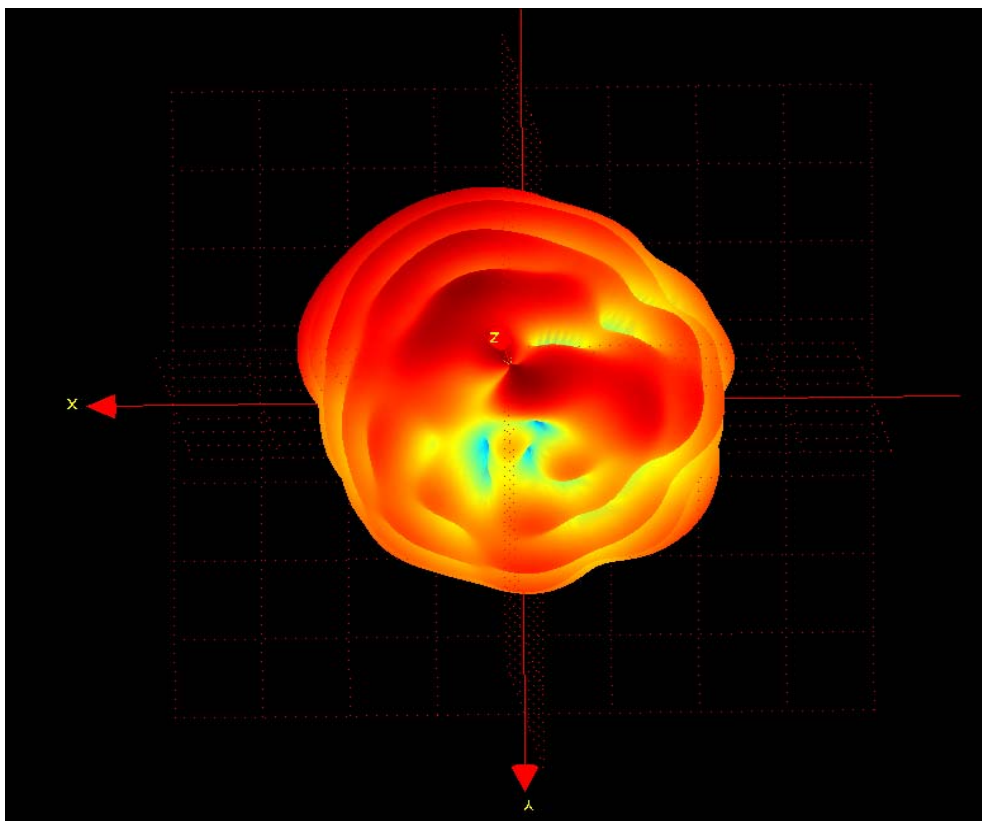
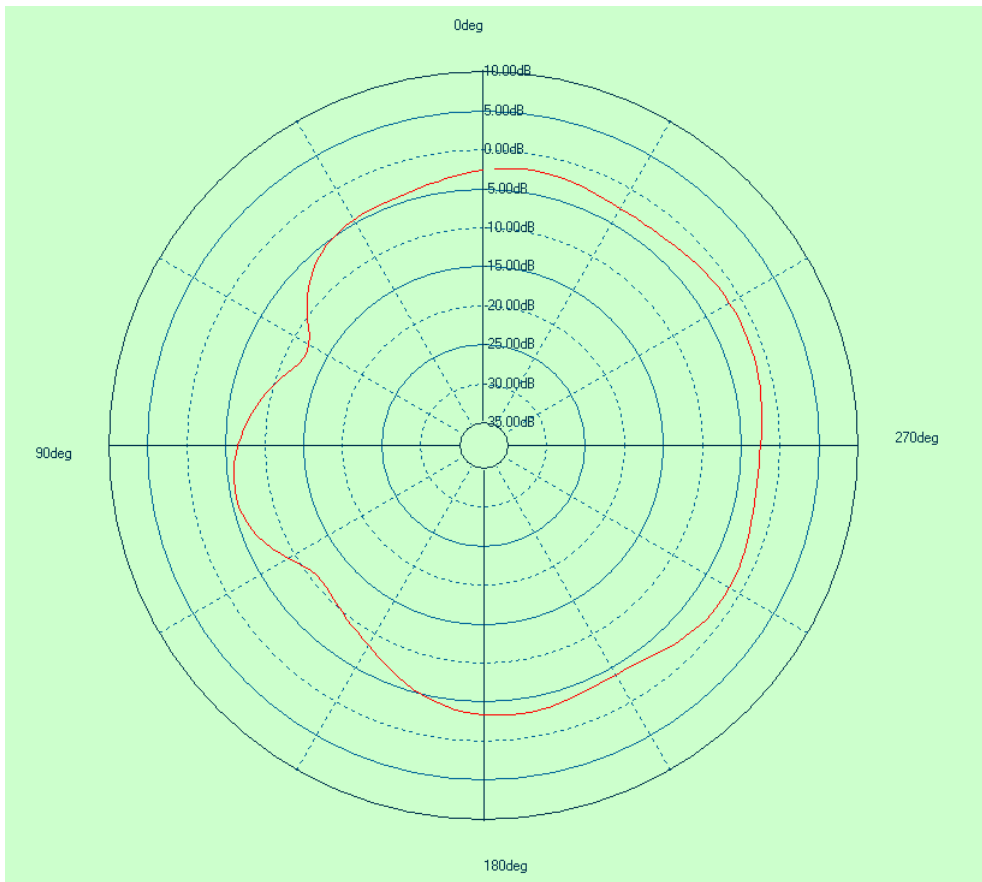
BT: -2.22dBi

### 3. 天线苹果图 (Apple antenna diagram)

824MHZ~960MHZ



1710MHZ~1990MHZ



2400MHZ~2500MHZ

