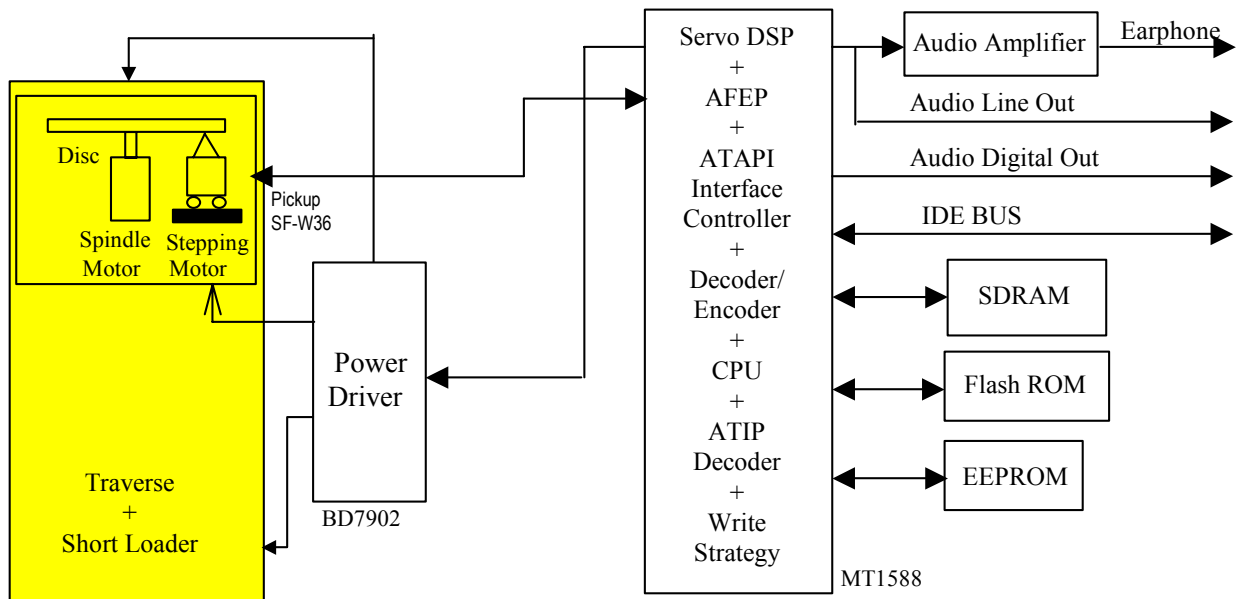


Block Diagram



33.86MHz