



User Manual

# USER MANUAL

Version: X01

IC3 Network Board

Part Number: EZ-0762-0A31





# User Manual

Version Histories .....	2
SCOPE .....	4
1. Function Descriptions .....	4
2. Communication Function.....	5
3. Demension .....	5
4. Installation .....	6
Federal Communication Commission Interference Statement.....	8

## SCOPE

The purpose of this document is to define the functional requirements for the LITEON Intelligent Charger 3 EVSE product. The primary objectives regarding the LITEON IC3 product are as follows:

1. Provide a cost-effective and scalable commercial product family which contains products that are able to either operate in a stand-alone manner or communicate with the Network.
2. Provide a product that can be remotely and locally controlled, configured, and monitored.

**The Network Board build-in a Linux OS. It provides Wi-Fi, LTE, UART, RS232, I2C and Ethernet communication interface.**

Project Difference:

Feature \ Project Name	EZ-0762-0A31	EZ-0762-0A32	EZ-0762-0A33
Wi-Fi	V	V	V
LTE	V(For AT&T)	V(For Verizon)	NA

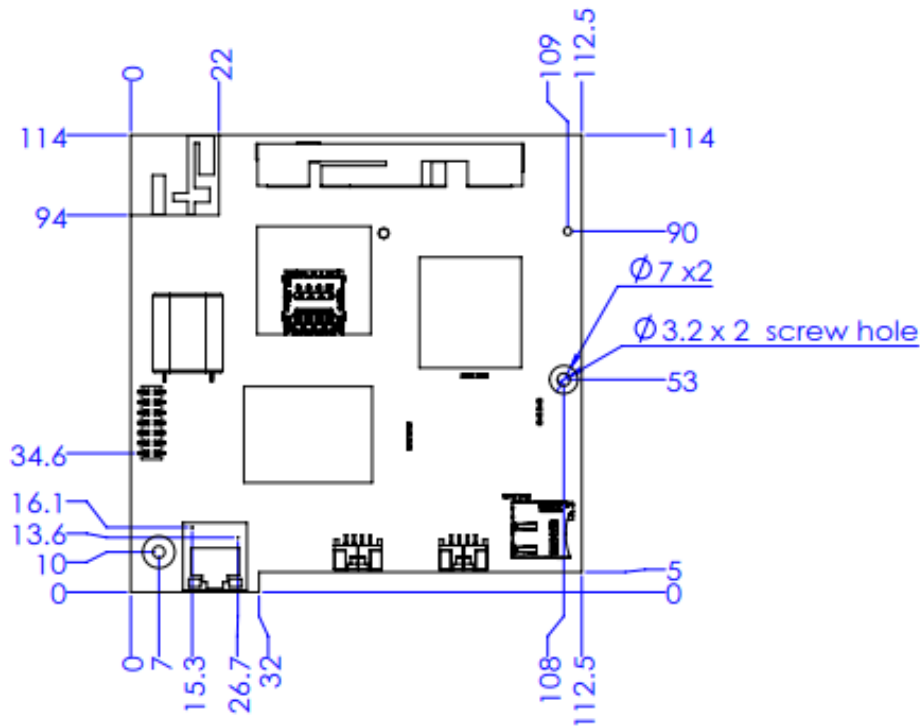
## 1. Function Descriptions

Item	Function	Note
2-1	USB 2.0 high speed (Device)	Cellular, 4G/LTE Function
2-2	Ethernet 10/100Mbps	LAN
2-3	UART	1. UART 0 (RS232) → Safety Board 2. UART 2 (RS232) → Console Port
2-4	I2C	OLED Display Function RTC Function
2-5	SDIO	SD Card Access Function
2-6	Wi-Fi	WLAN

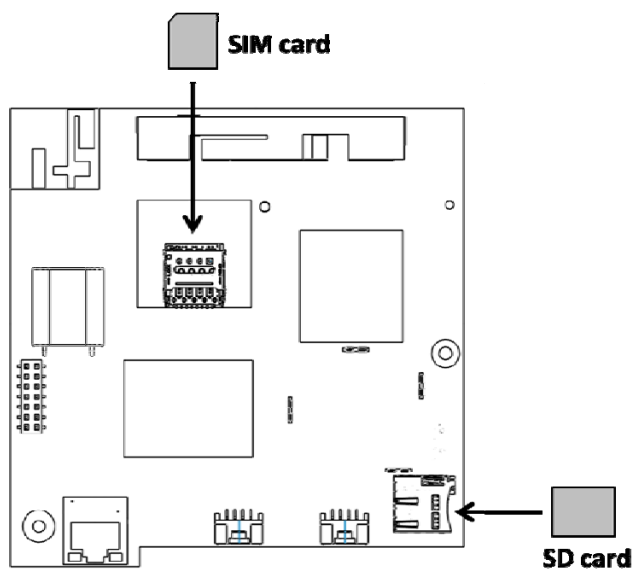
**2. Communication Function**

Item	Specification
Local Area Network (LAN)	10/100BaseT Ethernet LAN
Wireless Local Area Network (WLAN/Wi-Fi)	802.11 b/g/n
Cellular	ELS61-US support B2,B4,B5,B12

**3. Dimension**



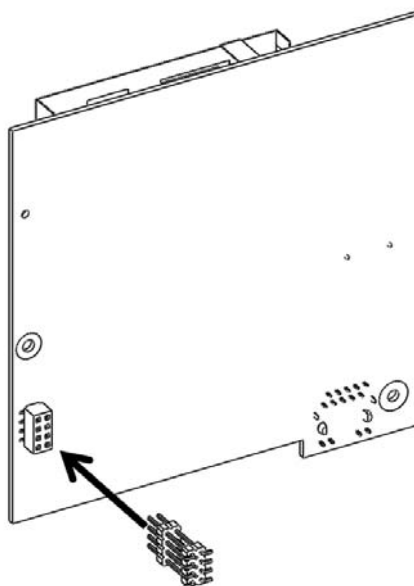
Dimension of network board

**4. Installation****5-1 Insert SD card and SIM card**

Position of SD card and SIM card.

**5-2 Insert pin header into the connector**

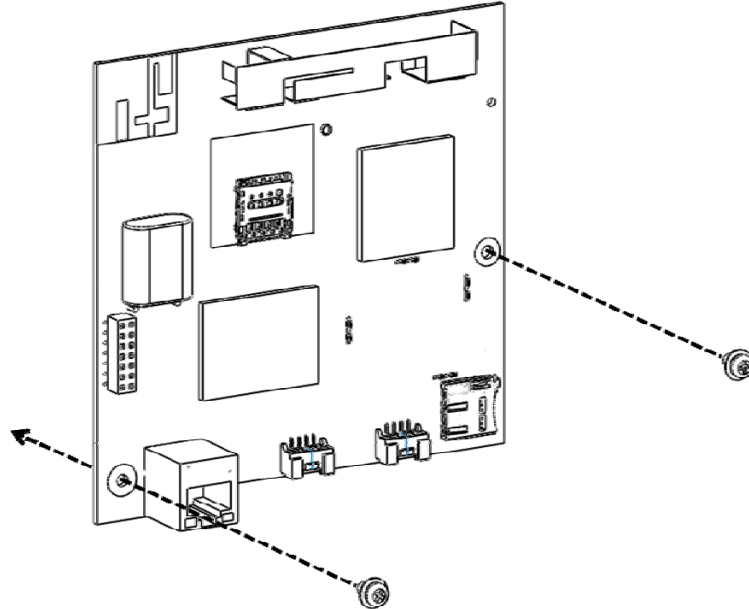
The connector is on the back side of the network board. Use pin header insert into the connector to connect main module.



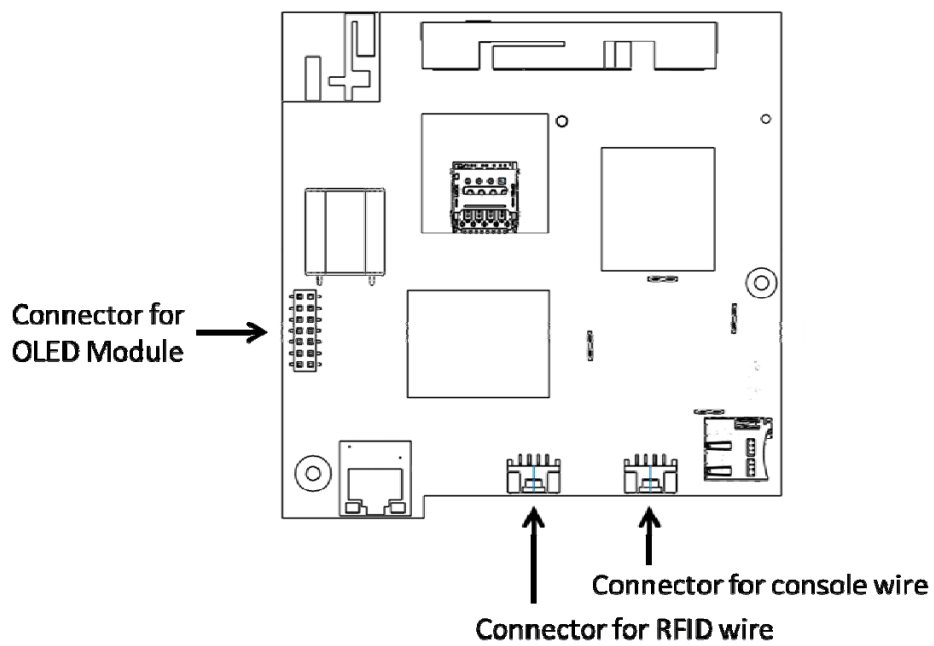
Position of the connector.

**5-3 Fix Network Board with M3 screws**

Use M3 screws x2 to fix the network board. T = 5.2 lb-in (6 kgf.cm).



Position of two screw holes.

**5-4 Connector on PCBA board**

Position of connectors.



# User Manual

## **Federal Communication Commission Interference Statement**

This device complies with Part 15 of the FCC Rules. Operation is subject to the following two conditions: (1) This device may not cause harmful interference, and (2) this device must accept any interference received, including interference that may cause undesired operation.

This equipment has been tested and found to comply with the limits for a Class B digital device, pursuant to Part 15 of the FCC Rules. These limits are designed to provide reasonable protection against harmful interference in a residential installation. This equipment generates, uses and can radiate radio frequency energy and, if not installed and used in accordance with the instructions, may cause harmful interference to radio communications. However, there is no guarantee that interference will not occur in a particular installation. If this equipment does cause harmful interference to radio or television reception, which can be determined by turning the equipment off and on, the user is encouraged to try to correct the interference by one of the following measures:

- Reorient or relocate the receiving antenna.
- Increase the separation between the equipment and receiver.
- Connect the equipment into an outlet on a circuit different from that to which the receiver is connected.
- Consult the dealer or an experienced radio/TV technician for help.

FCC Caution: Any changes or modifications not expressly approved by the party responsible for compliance could void the user's authority to operate this equipment.

This transmitter must not be co-located or operating in conjunction with any other antenna or transmitter.

### **Radiation Exposure Statement:**

This equipment complies with FCC radiation exposure limits set forth for an uncontrolled environment. This equipment should be installed and operated with minimum distance 20cm between the radiator & your body.





## User Manual

**This device is intended only for OEM integrators under the following conditions:**

- 1) The antenna must be installed such that 20 cm is maintained between the antenna and users, and
- 2) The transmitter module may not be co-located with any other transmitter or antenna.

As long as 2 conditions above are met, further transmitter test will not be required. However, the OEM integrator is still responsible for testing their end-product for any additional compliance requirements required with this module installed

**IMPORTANT NOTE:** In the event that these conditions can not be met (for example certain laptop configurations or co-location with another transmitter), then the FCC authorization is no longer considered valid and the FCC ID can not be used on the final product. In these circumstances, the OEM integrator will be responsible for re-evaluating the end product (including the transmitter) and obtaining a separate FCC authorization.

### **End Product Labeling**

This transmitter module is authorized only for use in device where the antenna may be installed such that 20 cm may be maintained between the antenna and users. The final end product must be labeled in a visible area with the following: "Contains FCC ID: PPQIC3A". The grantee's FCC ID can be used only when all FCC compliance requirements are met.

### **Manual Information To the End User**

The OEM integrator has to be aware not to provide information to the end user regarding how to install or remove this RF module in the user's manual of the end product which integrates this module.

The end user manual shall include all required regulatory information/warning as show in this manual.