

Z2

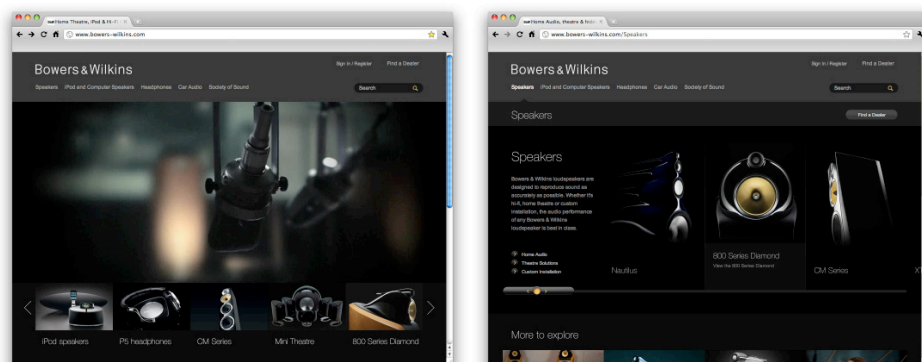
## Welcome to Bowers & Wilkins and Z2

Thank you for choosing Bowers & Wilkins. When John Bowers first established our company he did so in the belief that imaginative design, innovative engineering and advanced technology were keys that could unlock the enjoyment of audio in the home. His belief is one that we continue to share and it inspires every product we design.

Z2 is more than just an iPod® dock. As well as listening to audio stored on your iPod or iPhone® you can use it to:

- Play audio directly from iTunes® via either a cable or wireless network connection.
- Connect and listen to an external audio source such as a TV or a non-USB portable music player.
- Output video from your iPod or iPhone to a TV screen or monitor.

This manual will tell you everything you need to know to get the most from your Z2. It begins by describing the contents of the Z2 carton.



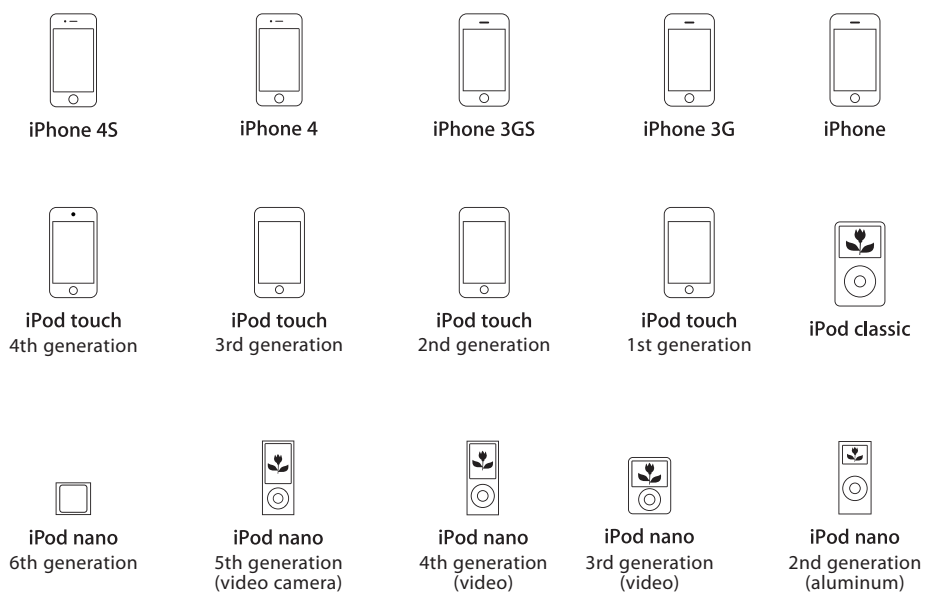
[www.bowers-wilkins.com](http://www.bowers-wilkins.com)

### 1. Z2 Carton Contents

1. Z2
2. Power supply
3. Remote control handset
4. Document pack containing a Quick Start Guide, warranty information and statutory safety warnings.

#### Environmental Information

This product complies with international directives, including but not limited to the **R**estriction of **H**azardous **S**ubstances (RoHS) in electrical and electronic equipment, the **R**egistration, **E**valuation, **A**uthorisation and restriction of **C**hemicals (REACH) and the disposal of **W**aste **E**lectrical and **E**lectronic **E**quipment (WEEE). Consult your local waste disposal authority for guidance on how properly to recycle or dispose of this product.



Z2 dock connector works with iPhone 4S, iPhone 4, iPhone 3GS, iPhone 3G, iPhone, iPod touch (4th, 3rd, 2nd, and 1st generations), iPod classic and iPod nano (6th, 5th, 4th, 3rd and 2nd generations).

Diagram 1  
iPod and iPhone compatibility



## 2. Connecting to your Z2

You can connect to your Z2 three different ways:

- Using AirPlay® to stream wirelessly from iTunes.
- Using the iPod dock.
- Using the Auxiliary input.

Diagram 2 illustrates the Z2 rear panel connection sockets.

### AirPlay Connection

Z2 is able to play audio from iTunes either wirelessly or via a wired (Ethernet) connection using AirPlay streaming technology. When connected to the same network as a computer running iTunes, Z2 can appear as an output option in the pop-up menu at the bottom of the iTunes window. See Section 5 for information on configuring Z2 to join your home network and on configuring iTunes to play through Z2.

*Note: Please ensure you have installed the latest version of iTunes.*

*Note: A standard Ethernet cable is required if you wish to connect your Z2 to an Ethernet network.*

As well as streaming audio from iTunes, AirPlay also makes it possible to stream audio directly to Z2 from an iPod touch, iPhone or iPad®. Any iPod touch, iPhone or iPad application that incorporates a volume control will have an additional icon that enables selection of available remote speakers for playback. Any AirPlay device within wireless range will be included in the selection list.

*Note: Z2 AirPlay works with iPad (3rd generation), iPad 2, iPad, iPhone 4S, iPhone 4, iPhone 3GS, iPod touch (4th, 3rd and 2nd generations) with iOS 4.2 and iTunes 10.1 (Mac and PC) or later.*

### iPod Dock

Z2's dock connector is compatible with the iPod and iPhone models illustrated in Diagram 1. Other iPod or iPhone models, or alternative music players, may be used by connecting their headphone sockets to the Z2 rear panel **AUX** input. iPhone and iPod models are charged when docked if the Z2 is on or in **Sleep** mode.

### Auxiliary Input (AUX)

If you wish to listen to an external analogue source, connect it to Z2 **AUX** input socket using an analogue cable terminated with a mini-jack plug.

### Mains Input (POWER)

Connect Z2 to a mains outlet socket using the power supply. When first connected to mains power Z2 will automatically power up with its indicator pulsing red.

*Note: The table in Section 4 describes all Z2 indicator colours and their meanings.*

*Note: The table in Section 4 describes all the Z2 indicator colours and their meanings.*

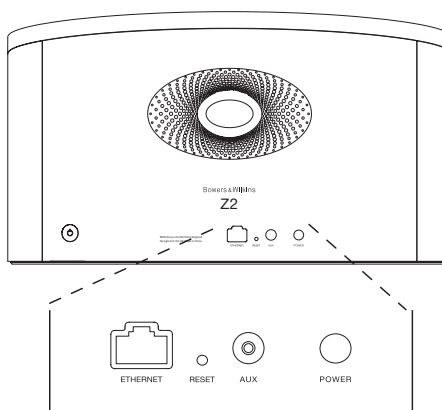


Diagram 2  
Z2 back panel


### 3. Using Z2

Z2 can be operated either from the controls on its body, illustrated in Diagram 2, or from the remote handset. If the remote handset is to be used, the battery insulating tab must first be removed. This is illustrated in Diagram 3. Diagram 4 illustrates the handset key functions.



#### 3.1 Switching On and Off

In addition to normal operating mode, Z2 has both **Standby** and **Sleep** modes. In **Standby** mode, all Z2 functions are switched off and the power consumption minimised. In **Sleep** mode, the Z2 wireless function remains connected to the network. The Z2 indicator illuminates dim red in **Sleep** mode and will turn off in **Standby** mode.

Z2 can be switched from **Standby** mode by the following actions:

- Pressing the Z2 **Standby** button .
- Docking an iPod or iPhone.

Z2 can be switched from **Sleep** mode by the following actions:

- Pressing the Z2 **Standby** button .
- Pressing handset **Standby** key .
- Docking an iPod or iPhone.
- Streaming music to Z2 by Airplay.
- Play music through the **AUX** input.

When Z2 is switched on from **Standby** or **Sleep**, the last input used will be selected if it is still connected. If the last input used is no longer connected, Z2 will automatically scan its inputs AUX, Dock, AirPlay, and select the first connected one it finds. The Z2 indicator will change to the colour that designates the selected input. If no connected input is found, Z2 will select the AirPlay input by default.

*Note: If the AirPlay input has not been set up the indicator will flash Yellow.*

*Note: The table in Section 4 describes all the Z2 indicator colours and their meanings.*

To switch Z2 into **Sleep** mode, either press the remote handset **Standby** key or press and hold the Z2 **Standby** button for 2 seconds. The Z2 indicator will illuminate dim red.

To switch Z2 into **Standby** mode, press and hold the Z2 **Standby** button for 4 seconds. The Z2 indicator will turn off.

*Note: It is not possible to switch Z2 into **Standby** mode from the handset.*

*Note: The Z2 will automatically enter **Sleep** mode if left inactive for more than 30 minutes.*

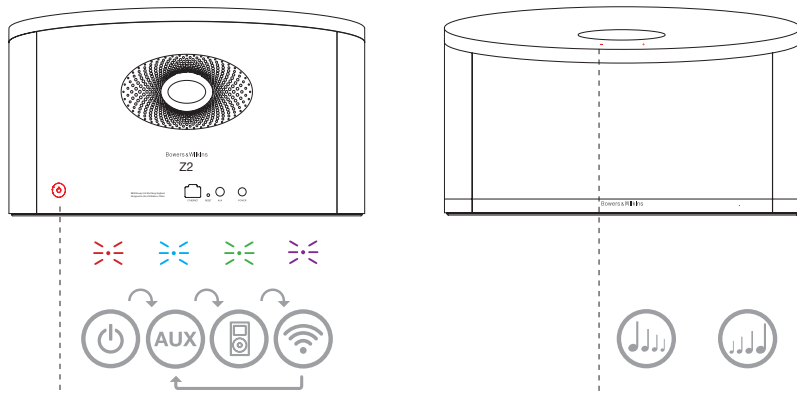


Diagram 3  
Z2 controls explained

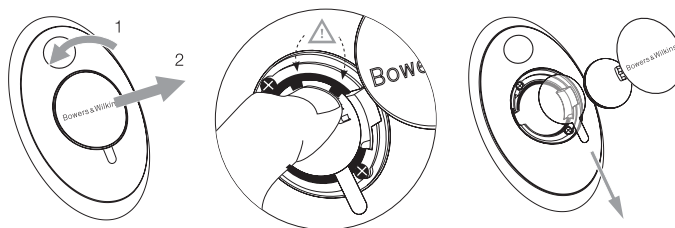


Diagram 4  
Z2 insulating tab removal

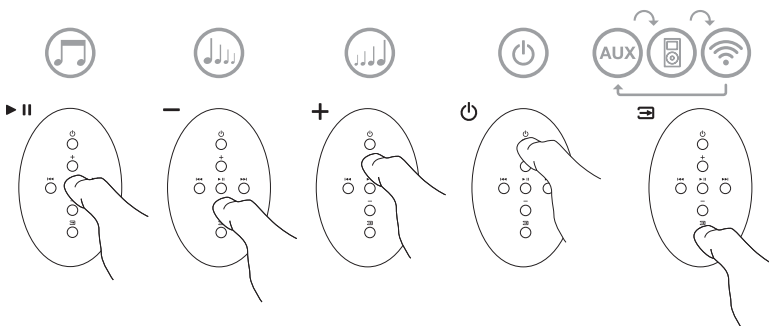


Diagram 5  
Z2 remote control explained

### 3.2 Z2 Functions

Diagram 6 illustrates Z2's connectivity.

With the Z2 switched on from **Standby** or **Sleep**:

- You can listen to your iPod or iPhone audio.
- You can connect to a wired or wireless network and listen to your iTunes audio via AirPlay.
- You can listen to other analogue audio sources via the Z2 AUX input.

*Note: See Section 6 for more on using the Z2 USB input.*

- You can use the handset **Volume** keys or the Z2 **Volume** buttons to control volume.
- If an iPod or iPhone is docked, or Z2 is connected to iTunes via AirPlay, you can use the handset **Play/Pause** key to play or pause audio, or the **Next** and **Previous** keys to select the next or previous track.
- You can use the handset **Input** key or the Z2 **Standby** button sequentially to select connected inputs.

### 3.3 Adjusting the Z2 sound

A Z2 used close to a wall or near a room corner may overemphasise the bass elements of music played on it. You can reduce the bass by following the steps below.

- With the Z2 switched on from **Standby**, dock an iPod or iPhone and play some music. While the music is playing, select the iPod or iPhone **Settings** icon.
- Scroll to the bottom of the **Settings** page and select **Speakers**.
- The default Z2 setting is **Bass 0**. This is appropriate for a Z2 used away from walls and corners. **Bass -1** reduces the bass output appropriately for a Z2 used with its back close to a wall. **Bass -2** reduces the bass output appropriately for a Z2 used near a room corner. **Bass +1** and **Bass -3** options are also provided to enable personal preferences also to be accommodated. You should select whichever option you feel sounds best on a range of music. The bass adjustment happens as soon as you highlight the option.
- The selected bass adjustment is retained by the Z2 once the docked iPod or iPhone is removed and is applied to all the Z2 inputs.

*Note: When you use Z2 with AirPlay or a docked iPod or iPhone it is best to switch-off any equalisation. Select the "flat" equalisation option.*

### 3.4 Z2 Automatic Input Switching

In some circumstances the Z2 will automatically switch to its AirPlay input or switch on from **Sleep** mode:

- If iTunes streamed audio is present on the AirPlay input when the dock input is selected and a docked iPod or iPhone stops playing, the AirPlay input will automatically be selected.
- If iTunes streamed audio is present on the AirPlay input when the AUX input is selected but no audio playing, the AirPlay input will automatically be selected.
- If iTunes streamed audio is present on the AirPlay input when Z2 is in **Sleep** mode, it will automatically switch on and play the streamed audio.
- When Z2 is in **Sleep** mode and an audio signal is detected through the **AUX** input, it will automatically switch on and play the AUX input audio.

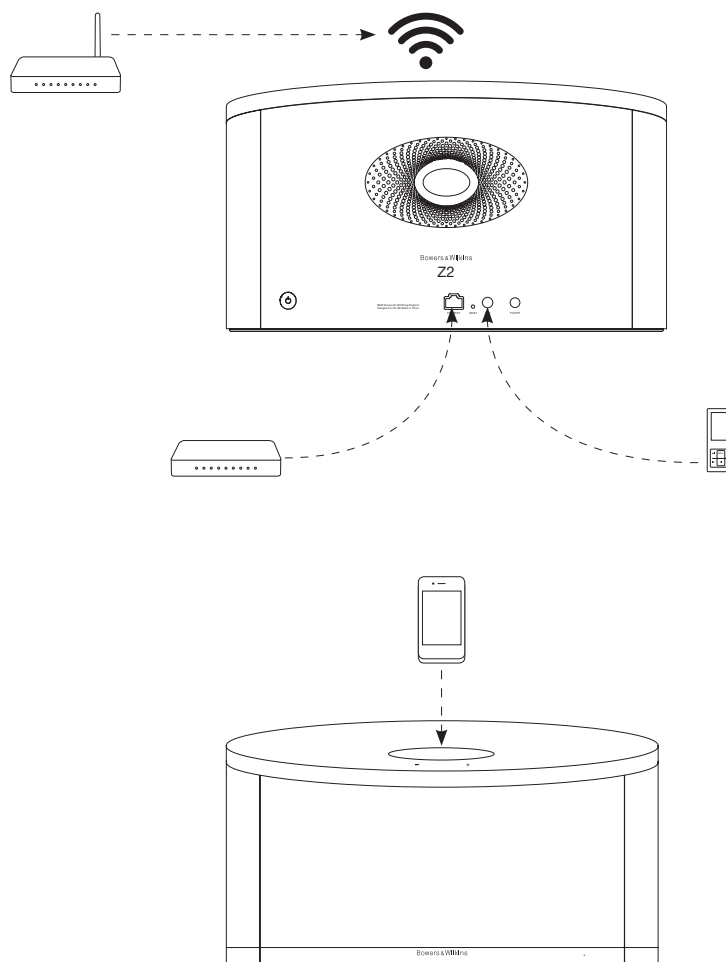


Diagram 6  
Z2 connectivity

## 4. The Z2 Indicator

The Z2 indicator illuminates in a range of colours to indicate different operational conditions. Table 1 describes the colours and their meanings.

## 5. Joining Wireless Networks and configuring iTunes

In order to play your iTunes music on your Z2 using AirPlay, your Z2 must join the same network as the computer on which iTunes is installed and running. Z2 network addressing is set to DHCP which means that once it has joined the wireless network it will not require any further configuration. **You will need to know your home wireless network name and password before you start.**

### 5.1 Set up your Z2 with your iOS device (iPod touch, iPad or iPhone)

- Get the Bowers & Wilkins AirPlay Setup App from the App Store or by visiting [www.bowers-wilkins.com/setupapp](http://www.bowers-wilkins.com/setupapp).
- Follow the onscreen instructions.

### 5.2 Set up with Mac or PC

- Get the Bowers & Wilkins AirPlay Setup App from the Mac App Store (Mac users only) or by visiting [www.bowers-wilkins.com/setupapp](http://www.bowers-wilkins.com/setupapp).
- Follow the onscreen instructions.

### 5.3 Setting up Z2 using a wired connection

To set up Z2 to join your wireless network you should first connect it physically to the Mac/PC using an Ethernet cable. You will need to ensure that your Mac/PC wireless capabilities are disabled. Once connected you can browse to the Z2 setup page. Follow the steps described below.

*Note: Z2 can also use a wired network for AirPlay streaming.*

- Unplug every cable from the Z2 and undock any docked iPod or iPhone.
- Using an Ethernet cable connect the Z2 rear panel **ETHERNET** socket to an **Ethernet** socket on the computer.
- Connect the power cable. Z2 will switch on with the indicator pulsing red.
- Z2 will automatically select its AirPlay input and establish a connection to the network. This may take up to 90 seconds during which time the Z2 indicator will begin to flash yellow. When this happens press and hold the '+' volume button on Z2 for 4 seconds. Z2's indicator will show solid purple once the wired network connection is established.
- Using an internet browser application running on the computer connected to the Z2 type the Z2 default network address (<http://192.168.10.1>) in the browser address field and press "return". This will open the Z2 setup page (see Diagram 7 on next page).
- The setup page provides the option to change the Z2 name. Changing the name is useful if more than one Z2 is to be connected to the network. Enter a new name (Z2 Kitchen for example) in the Name box.

- Select your home network **Name** from the drop down list and enter the **Password** in the appropriate box. Take care to type the password correctly.
- When you are finished, click on the **Apply** button, then close the Z2 setup page. Disconnect the Ethernet cable.
- The Z2 indicator will change to steady purple when the wireless network connection is established. This will take around 60 seconds.

*Note: If Z2 fails to connect to your home wireless network, the most likely fault is an incorrectly entered network password. Follow the reset instructions in Section 8 and begin the network setup procedure again.*

### 5.4 Configuring iTunes

With Z2 connected to your home network (wired or wireless) you can configure iTunes to use it as an output device. Configure iTunes by selecting Z2 in the devices menu at the bottom right hand corner of the iTunes display.

iTunes will now play through the Z2. Multiple Z2 units can be connected to the wireless network and used to provide audio in separate rooms. Each will be available in the iTunes devices menu, identified by either the names specified in the setup page, or by default the last three digits of their serial numbers.

Indicator Colour	Meaning	Input Selected
Off	Standby	N/A
Dim Red	Sleep	N/A
Pulsing Red	Powering up	N/A
Flash Red twice	Reset started	N/A
Blue	On	Dock
Fast flashing Blue	Volume adjustment	Dock
Orange	On	Aux
Fast flashing Orange	Volume adjustment	Aux
Slow flashing Orange	Digital audio lock error	Aux
Purple	On	AirPlay
Fast flashing purple	Volume adjustment	AirPlay
Slow flashing purple	No network connected	AirPlay
Fast flashing Red	Invalid operation	Any
Slow flashing Yellow	Wireless setup mode	N/A
White	Firmware update	N/A
Flashing white	Firmware error	N/A

Table 1  
Indicator colour and meaning

## 7. Z2 Firmware Update

Updated Z2 firmware may from time to time be made available for download from Z2's support section of the Bowers & Wilkins website.

## 8. Z2 Factory Reset

Z2 has a pin-hole reset button located on its rear connection panel. The reset button is illustrated in Diagram 7. To return the Z2 network settings (AirPlay input) to the factory defaults, ensure the power cable is connected, and power the Z2 on. Press and hold the reset button for 2 seconds. The indicator will flash red twice.

## 9. Cleaning Z2

Use a clothes brush or vacuum cleaner with nozzle attachment to clean the grille cloth. Wipe other surfaces with a clean lint-free cloth. If you wish to use a cleaning agent, apply it onto the cleaning cloth, not directly onto the Z2. Test a small area first, as some cleaning products may damage some of the surfaces. Avoid products that are abrasive, or contain acid, alkali or anti-bacterial agents.

## 10. Troubleshooting

If you need help troubleshooting a specific problem, or have a question you'd like answered, please consult our Troubleshooting guide, or Frequently Asked Questions section on the Z2 Product Support page of our website.

[www.bowers-wilkins.com/support](http://www.bowers-wilkins.com/support)

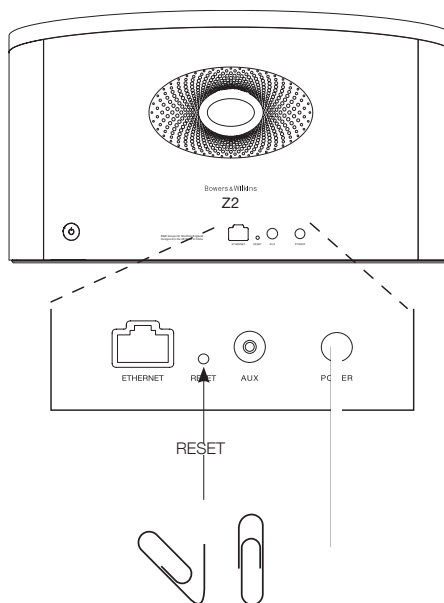


Diagram 7  
Z2 factory reset







