



5453 Great America Parkway
Santa Clara, CA 95054
USA
408 547-5500
www.arista.com

Our social responsibility includes conducting business in a manner that minimizes our ecological impact on the environment and reducing waste in our supply chain. To that end, the Quick Start Guide and Safety Manual are available at www.arista.com.

Getting Started

Instructions on getting started with your new access point, including installation and initial configuration instructions, is available at

<http://www.arista.com/en/support/gettingstarted>

Obtaining Other Useful Information

You can access Arista documentation at

<http://www.arista.com/en/support/docs>

Documents available at this location includes:

- Quick Start Guide
- Compliance and Safety Guide
- Configuration Manual

You may also download current software, as well as view FAQs, Warranty Information, Knowledge Base articles, Security Advisories, Software Licenses, and Field Notices at <http://www.arista.com/en/support>.

Receiving and Inspecting the Equipment

Upon receiving the access point, inspect the shipping boxes and record any external damage. Retain the packing materials if you suspect that part of the shipment is damaged; the carrier may need to inspect them.

If the boxes were not damaged in transit, unpack them carefully. Ensure that you do not discard any accessories that may be packaged in the same box as the main unit.

Inspect the packing list and confirm that you received all listed items. Compare the packing list with your purchase order.

Obtaining Technical Assistance

Customers, partners, resellers, or distributors holding a valid Arista Service Contract can obtain technical support through these sources:

Email: support-wifi@arista.com. This is the easiest way to create a new service request.
Include a detailed description of the problem and the output of "show tech-support".

Web: www.arista.com/en/support.
A support case may be created through the support portal on our website.

Headquarters
408 547-5500
www.arista.com

Support
408 547-5502
866 476-0000
support@arista.com

Sales
408 547-5501
866 497-0000
sales@arista.com

OEM-AP-O105E Getting Started Guide

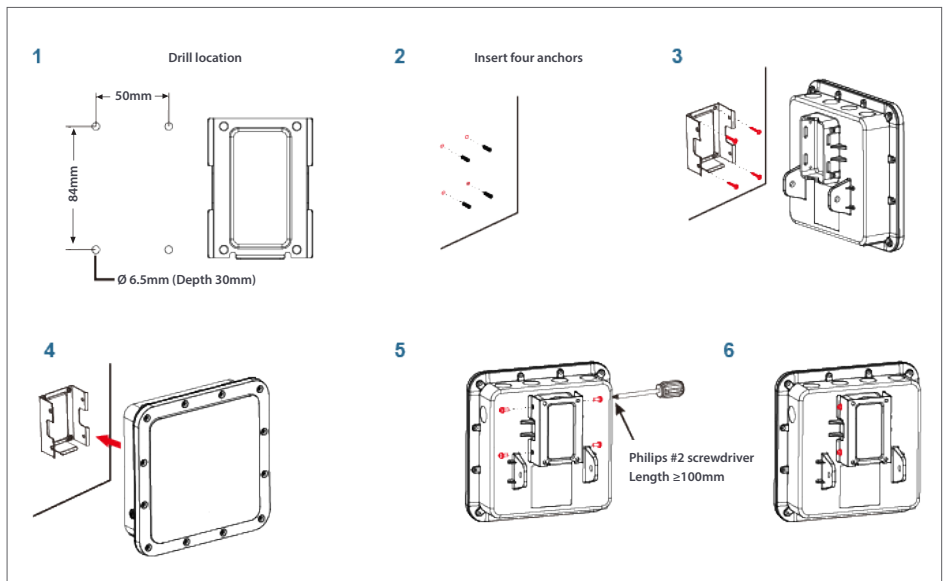
Package Contents

You should have received the following components in your O-105E package.

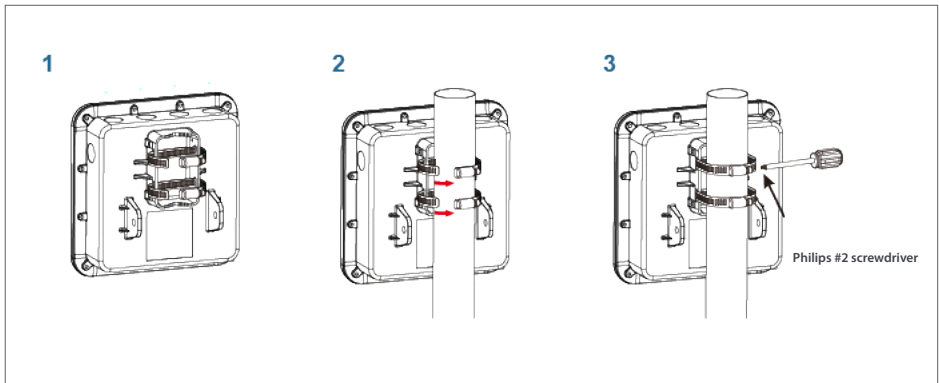


Mounting the O-105E

Wall Mount: Arista logo facing away from the wall



Pole Mount: Arista logo facing away from the pole



Note: The product is designed for specific application and must be professionally installed by a qualified personal who has RF and related knowledge.

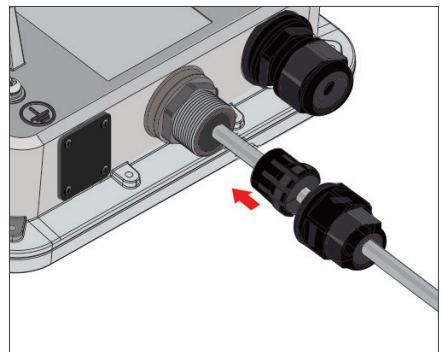
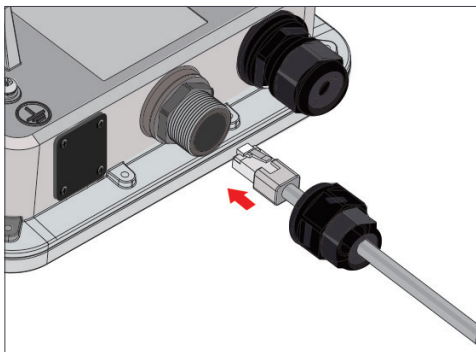
Getting the O-105E Online

Step 1: Power up

Plug one end of the Ethernet cable into the PoE+ switch or injector and plug the other end into the LAN1 (PoE) on the O-105E. Make sure the PoE+ source you are using is turned ON.

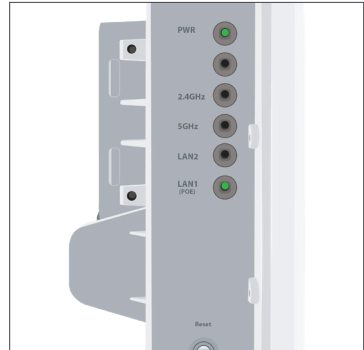
Step 2: Connect to the network

As you are using PoE+, the O-105E should already be connected to your network.



Step 3: Check the LED status

Wait for a few minutes till the Power (PWR) LED and LAN1 (PoE) LED turn solid GREEN, which indicates that the O-105E is online and operational.



Troubleshooting

After the O-105E is powered ON and connected to Ethernet, if the status of Power (PWR) LED is not Solid Green, it indicates that the AP is not able to function normally. The following guidelines may help you to quickly diagnose and fix the problem.

LED	Status	Description
Power (PWR)	Solid Green	Power ON
	OFF	Power OFF
5 GHz	Solid Green	No clients connected
	Blinking Green	Wireless activity on 5 GHz radio
2.4 GHz	Solid Green	No clients connected
	Blinking Green	Wireless activity on 5 GHz radio
LAN 1/2	Solid Green	Wired Extension/VLAN Extension enabled
	Blinking Green	Connectivity issues

1. Ensure that the Ethernet cable is correctly plugged into the LAN1 (POE) port on the O-105E and the other end of the cable is plugged into an Ethernet jack or a port on a switch that is turned ON.
2. If the O-105E did not receive a valid IP address from the DHCP server, ensure that a DHCP server is ON and available on the VLAN/subnet to which the AP is connected. If the AP still fails to get a valid IP address, you can reboot it once to see if that resolves the problem.
3. If you are using Arista Cloud Services, make sure that Internet connectivity is available from the VLAN/ subnet to which the AP is connected. Check if the required ports for AP and Server communication – UDP 3851 and default HTTP (TCP port 80) – are open on the Firewall. If you are using a Proxy, Web accelerator or URL content filtering, make sure the settings allow communication between the AP and Arista Cloud Services.
4. This product is intended to be supplied by a listed POE switch or POE injector, rated 48Vdc, 400mA and Tma 65 degree C, if you need further assistance, please contact ARISTA for further information.
5. Operating temperature is -40C to 65C.

Federal Communication Commission Interference Statement

This device complies with Part 15 of the FCC Rules. Operation is subject to the following two conditions: (1) This device may not cause harmful interference, and (2) this device must accept any interference received, including interference that may cause undesired operation.

This equipment has been tested and found to comply with the limits for a Class B digital device, pursuant to Part 15 of the FCC Rules. These limits are designed to provide reasonable protection against harmful interference in a residential installation. This equipment generates, uses and can radiate radio frequency energy and, if not installed and used in accordance with the instructions, may cause harmful interference to radio communications.

However, there is no guarantee that interference will not occur in a particular installation. If this equipment does cause harmful interference to radio or television reception, which can be determined by turning the equipment off and on, the user is encouraged to try to correct the interference by one of the following measures:

- Reorient or relocate the receiving antenna.
- Increase the separation between the equipment and receiver.
- Connect the equipment into an outlet on a circuit different from that to which the receiver is connected.
- Consult the dealer or an experienced radio/TV technician for help.

FCC Caution: Any changes or modifications not expressly approved by the party responsible for compliance could void the user's authority to operate this equipment.

This transmitter must not be co-located or operating in conjunction with any other antenna or transmitter.

The device is for indoor use only. Supported in 2412-2462, 5180~5240, 5260~5320, 5500~5700, 5745~5825MHz and operation in the 2412-2462, 5180~5240, 5260~5320, 5500~5700, 5745~5825MHz band are restricted to indoor usage only.

This device meets all the other requirements specified in Part 15E, Section 15.407 of the FCC Rules.

Radiation Exposure Statement:

This equipment complies with FCC radiation exposure limits set forth for an uncontrolled environment. This equipment should be installed and operated with minimum distance 32 cm between the radiator & your body.

Japan Statement

この装置には、電波法に基づく技術規則適合証明書の認定を受けた特定の無線装置が含まれています。

English Translation:

This equipment contains specified radio equipment that has been certified to the Technical Regulation Conformity Certification under Radio Law.

NCC Statement

低功率電波輻射性電機管理辦法

第十二條 經型式認證合格之低功率射頻電機，非經許可，公司、商號或使用者均不得擅自變更頻率、加大功率或變更原設計之特性及功能。

第十四條 低功率射頻電機之使用不得影響飛航安全及干擾合法通信；經發現有干擾現象時，應立即停用，並改善至無干擾時方得繼續使用。

前項合法通信，指依電信法規定作業之無線電通信。低功率射頻電機須忍受合法通信或工業、科學及醫療用電波輻射性電機設備之干擾。

「本器材須經專業工程人員安裝及設定，始得設置使用，且不得直接販售給一般消費者」。無線資訊傳輸設備必須具備安全功能，以保護未經授權之一方任意更改軟體進而避免發射機操作於非經認證之頻率、輸出功率、調變形式或其他射頻參數設定。無線資訊傳輸設備避免影響附近雷達系統之操作。

Taiwan RoHS Statement

Taiwan RoHS information covered by this guide.

For Taiwan BSMI RoHS Table, go to <https://www.arista.com/assets/data/pdf/AristaBSMIroHS.pdf>.

liste, sont strictement interdits pour l'exploitation de l'émetteur.



Industry Canada Statement

This device complies with ISED's licence-exempt RSSs. Operation is subject to the following two conditions: (1) This device may not cause harmful interference, and (2) this device must accept any interference received, including interference that may cause undesired operation.

Le présent appareil est conforme aux CNR d'ISED applicables aux appareils radio exempts de licence. L'exploitation est autorisée aux deux conditions suivantes : (1) le dispositif ne doit pas produire de brouillage préjudiciable, et (2) ce dispositif doit accepter tout brouillage reçu, y compris un brouillage susceptible de provoquer un fonctionnement indésirable.

Caution :

- (i) the device for operation in the band 5150-5250 MHz is only for indoor use to reduce the potential for harmful interference to co-channel mobile satellite systems;
- (ii) where applicable, antenna type(s), antenna models(s), and worst-case tilt angle(s) necessary to remain compliant with the e.i.r.p. elevation mask requirement set forth in section 6.2.2.3 shall be clearly indicated.

Avertissement:

Le guide d'utilisation des dispositifs pour réseaux locaux doit inclure des instructions précises sur les restrictions susmentionnées, notamment :

- (i) les dispositifs fonctionnant dans la bande 5150-5250 MHz sont réservés uniquement pour une utilisation à l'intérieur afin de réduire les risques de brouillage préjudiciable aux systèmes de satellites mobiles utilisant les mêmes canaux;
- (ii) lorsqu'il y a lieu, les types d'antennes (s'il y en a plusieurs), les numéros de modèle de l'antenne et les pires angles d'inclinaison nécessaires pour rester conforme à l'exigence de la p.i.r.e. applicable au masque d'élévation, énoncée à la section 6.2.2.3, doivent être clairement indiqués

Radiation Exposure Statement:

This equipment complies with ISED radiation exposure limits set forth for an uncontrolled environment. This equipment should be installed and operated with greater than 32 cm between the radiator & your body.

Déclaration d'exposition aux radiations:

Cet équipement est conforme aux limites d'exposition aux rayonnements ISED établies pour un environnement non contrôlé. Cet équipement doit être installé et utilisé à plus de 32 cm entre le radiateur et votre corps.

For Devices with External Antennas:

This radio transmitter [IC: 4491A-WP9333] has been approved by Innovation, Science and Economic Development Canada to operate with the antenna types listed below, with the maximum permissible gain indicated. Antenna types not included in this list that have a gain greater than the maximum gain indicated for any type listed are strictly prohibited for use with this device.

Antenna Type	Model Number	Antenna Gain(dBi)	Remark
Dipole	5718A0394300	5.5/7	For 2.4GHz/5GHz

Le présent émetteur radio [IC: 4491A-WP9333] a été approuvé par Innovation, Sciences et Développement économique Canada pour fonctionner avec les types d'antenne énumérés ci-dessous et ayant un gain admissible maximal. Les types d'antenne non inclus dans cette liste, et dont le gain est supérieur au gain maximal indiqué pour tout type figurant sur la liste, sont strictement interdits pour l'exploitation de l'émetteur.

CE Statement

1. Frequency range & power:

Frequency range (MHz)	Max. Transmit Power (W)
Bluetooth	0.00794
WLAN Wi-Fi 802.11x; 2, 4 GHz	0.09977
WLAN Wi-Fi 802.11x; 5 GHz	0.19907

2. This equipment should be installed and operated with minimum distance 32cm between the radiator & your body.

3. Hereby, Arista declares that the radio equipment type O-105/O-105E is in compliance with Directive 2014/53/EU

The full text of the EU declaration of conformity is available at the following internet address: <http://www.arista.com/en/support/product-documentation>