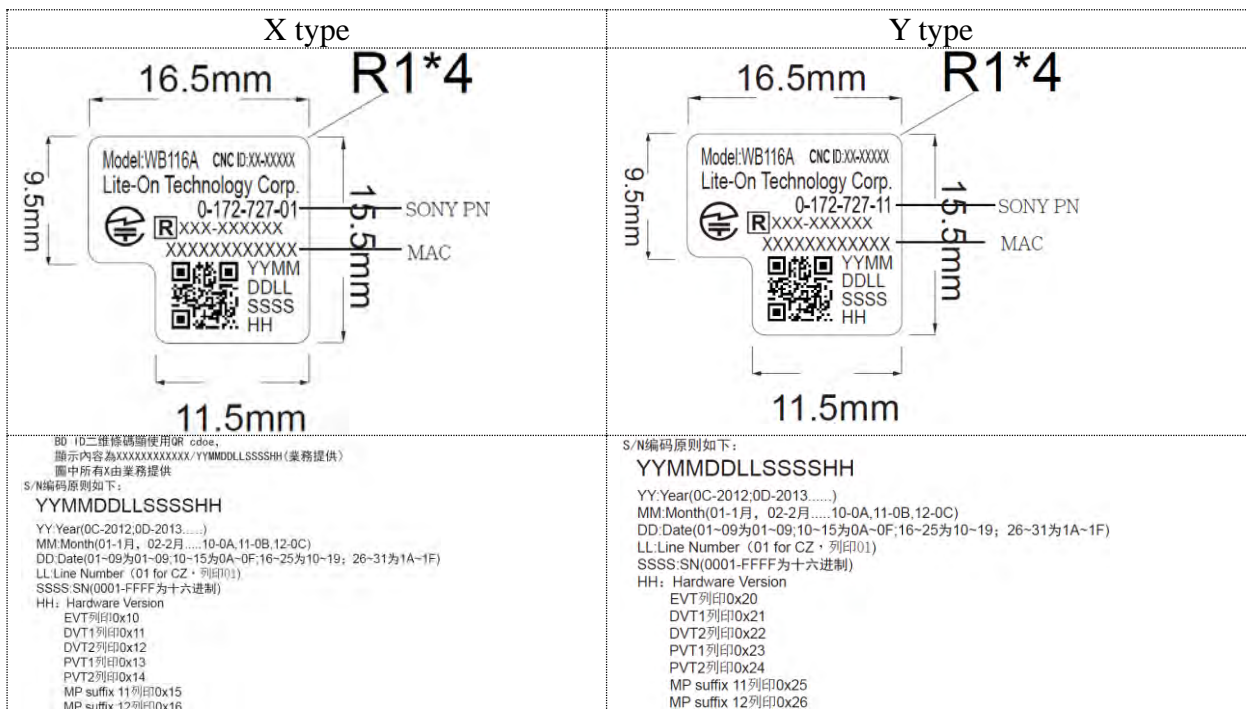


3 Appearance, Marking

3.1 Appearance



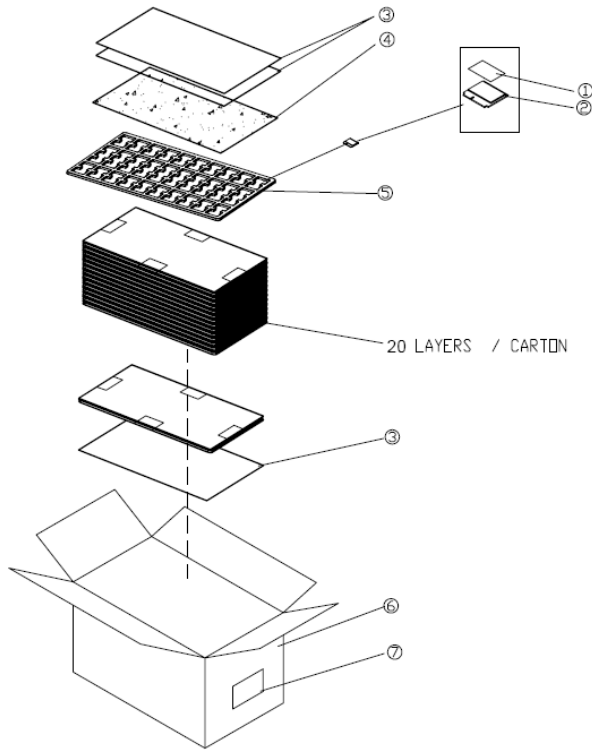
3.2 Label



Items	Content	Description
Model Name	WB116A	
Japan Radio		Marking required
Argentina CNC ID	CNC ID: XX-XXXXX	
Applicant Name	Lite-On Technology Corp.	Lite-On
Country Origin	MADE IN CHINA	Made In China
Sony P/N	1-493-097-11	WB116A(Module X)
	1-493-097-21	WB116A(Module Y)
BD address	XXXXXXXXXXXX	Address and QR code
Serial Number	YYMMDDLLSSSSHH	Number and QR code

4 Package

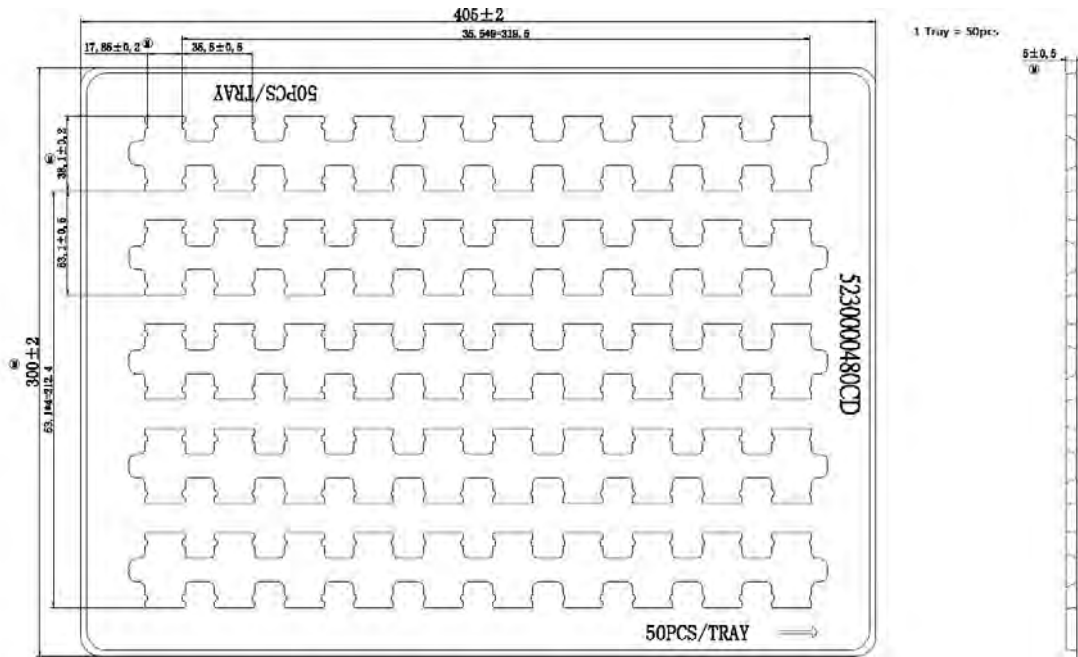
4.1 Packing Spec



1 CARTON = 20Layer = 1000pcs

ITEM	P/N	DESCRIPTION	QTY
1	***	MAC ID	1
2	***	Product	1
3	5160000061XD	Carton Sheet	21/1000
4	5230000079ZD	Clamshell cover	1/50
5	5230000480ZD/CD	Clamshell	1/50
6	5030000228XD	Carton	1/1000
7	****	Carton Label	1/1000

4.2 Tray Spec



4.3 Carton Label(C3 Label)

WB116A X module	WB116A Y module
50mm	50mm
40mm	40mm
<p>1 — SONY P/N : 1-493-097-11</p> <p>2 — QTY:1,000 pcs</p> <p>3 — SN:116AXYYWWXXXX</p> <p>4 — (3N1)149309711</p> <p>5 — (3N2) 1000 116AXYYWWXXXX RoHS Compliant</p> <p>6 — (1P) WB116AX/AAZ100169G0 C/O:Made in China</p> <p style="text-align: right;">[EIAJ-C3]</p> <p>Lite-On Technology Corp. P/N:AAZ100169G0</p>	<p>1 — SONY P/N : 1-493-097-21</p> <p>2 — QTY:1,000 pcs</p> <p>3 — SN:116AYYYWWXXXX</p> <p>4 — (3N1)149309721</p> <p>5 — (3N2) 1000 116AYYYWWXXXX RoHS Compliant</p> <p>6 — (1P) WB116AY/AAZ100170G0 C/O:Made in China</p> <p style="text-align: right;">[EIAJ-C3]</p> <p>Lite-On Technology Corp. P/N:AAZ100170G0</p>