

- ※ NOTE:
1. Human Readable (LABEL 顯示內容): S/N: 24LC08WW000001
 2. Bar Code Field (條碼顯示內容): 24LC08WW000001
 3. Bar Code (條碼): Code 128

24 LC 08 WW 000001

Product Code
(產品別)

Factory Code
(Liteon 代碼)

Serial Number: Is a 6 digit sequential number starting at 000001
(流水號:00001開始,十進制)

Week: The week number(1 through 52) that the product is manufactured.
(週別)

Year: The last (2) digit of the year the product is manufactured.
(西元年後兩碼)

(客戶):U4EA

(空白貼紙):5091200216M7

(材質):50#光白特多龍

(上光方式):NO

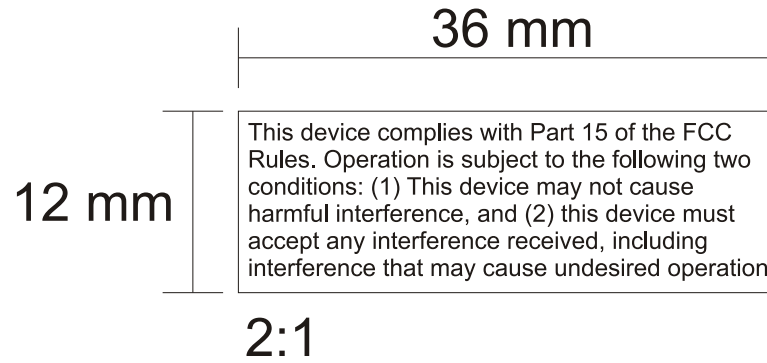
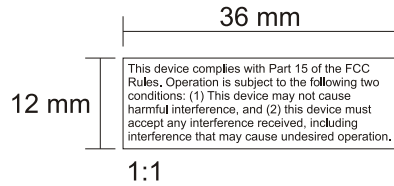
(顏色):BLACK

(尺寸):80X12

(公差):+-0.3mm

LIMITS UNLESS OTHERWISE NOTED	
X. +-	X. +-
.X +-	.XX +-
.XX +-	.XXX +-
.XXX +-	

A4	UNIT	SCALE	SHEET	MODEL No.	WP5301AP-U4 (Fusion50) U4EA v1.0
	MM	MON	1(1)	PART NAME	S/N LABEL
APPROVED	CHECKED	DESIGNED	PART No.	MM113021007	
			李采璽 blue 2008.09.26	LITEON 光寶科技股份有限公司 LITE-ON TECHNOLOGY CORP.	



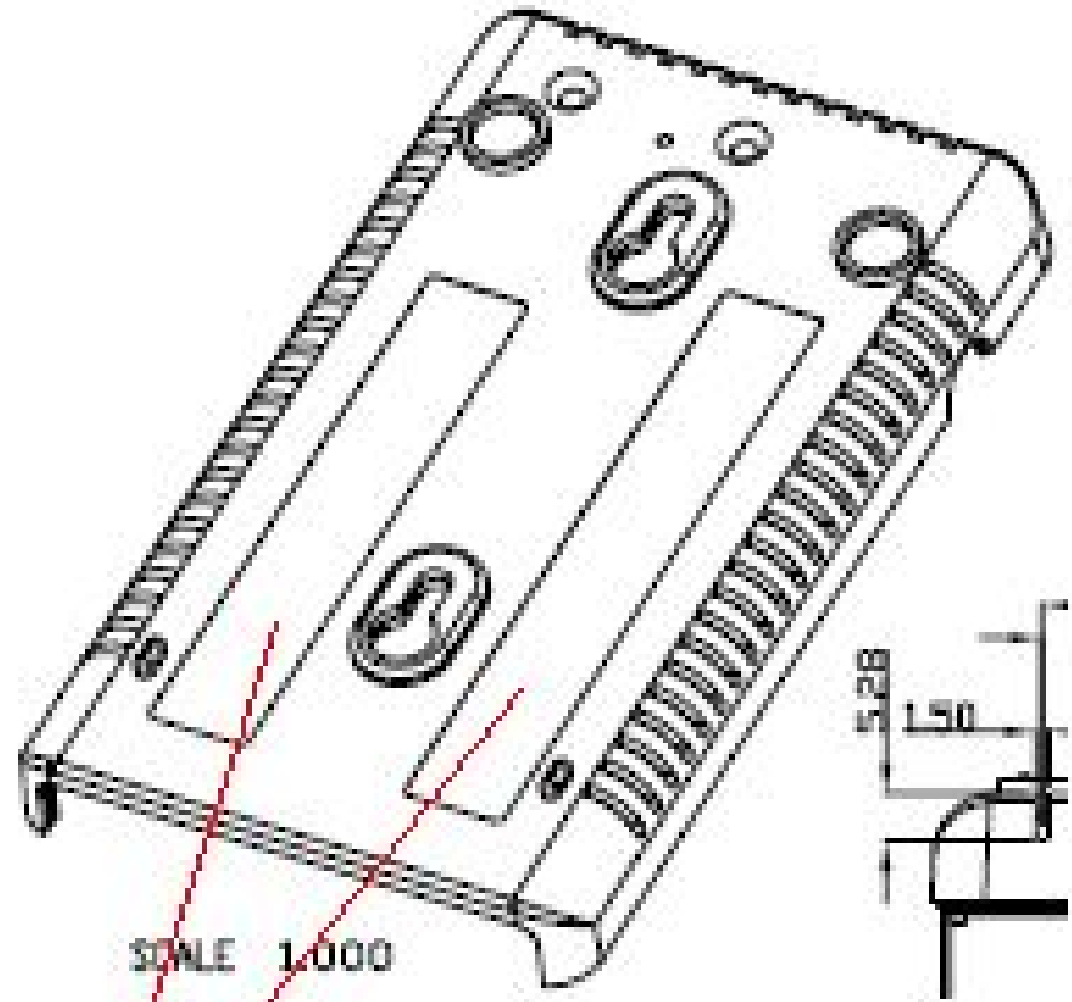
(客戶):U4EA
 (材質):50#光白特多龍
 (上光方式):PP
 (顏色):BLACK
 (尺寸):36X12
 (公差):+-0.3mm

NOTE:

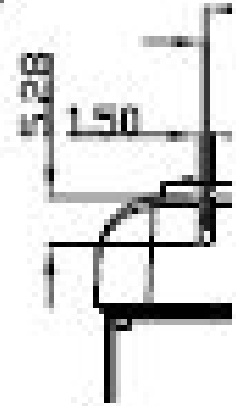
1. 貼紙需成捲狀進料,內徑75mm,外徑需在280mm之內
2. 貼紙總厚度不得小於0.1mm,最厚不得大於0.35mm
3. 貼紙每張之間的間距最小:2mm,最大:5mm,一般:3mm,每捲之間的間距必需一致
4. 底紙的材質為85g格拉辛底紙,進料時不得被刀模損壞,不得有裂痕,底紙寬度需比貼紙左右各多出2-3mm
5. 貼紙為透明材質時,底紙需打上方孔或圓孔

LIMITS UNLESS OTHERWISE NOTED	
X. +-	X.° +-
.X +-	.X° +-
.XX +-	.XX° +-
.XXX +-	.XXX° +-

A4	UNIT	SCALE	SHEET	MODEL No.	WP5301AP-U4 3COM		
	MM	NON	1(1)	PART NAME	FCC LABEL		
APPROVED	CHECKED	DESIGNED	PART No.	5091100376M7	REV	A1	
		李采婕 blue 2008.09.25	光寶科技股份有限公司 LITE-ON TECHNOLOGY CORP.				



SCALE 1 000



Label location