

**External Photographs of the RM-127**

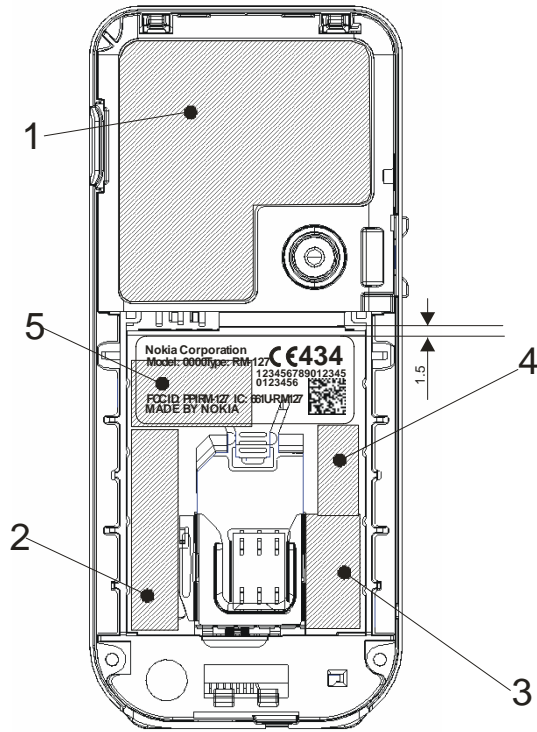




Exhibit 3: External Photographs

FCC ID: PPIRM-127  
IC ID:661U-RM127


## POSITION OF AREAS FOR LABEL STICKERS PPIRM-127



1  China 12 x 30 not metal

1,2,3,4  Singapore 6x12 not metal

5  Malaysia 10 x 15 metal  
(on top of Nokia label)

2,3,4  Taiwan 6 x 13 metal

1,2,3,4  AT&T 6,2 x 25 not metal

 Type Label  
32,5 x 13 metal