

THIS DRAWING IS PROTECTED BY COPYRIGHT AS AN UNPUBLISHED WORK
 UNAUTHORIZED REPRODUCTION OF THIS DRAWING IS NOT PERMITTED
 THIS DRAWING CONTAINS PROPRIETARY AND CONFIDENTIAL INFORMATION
 This document is the property of Nokia Mobile Phones

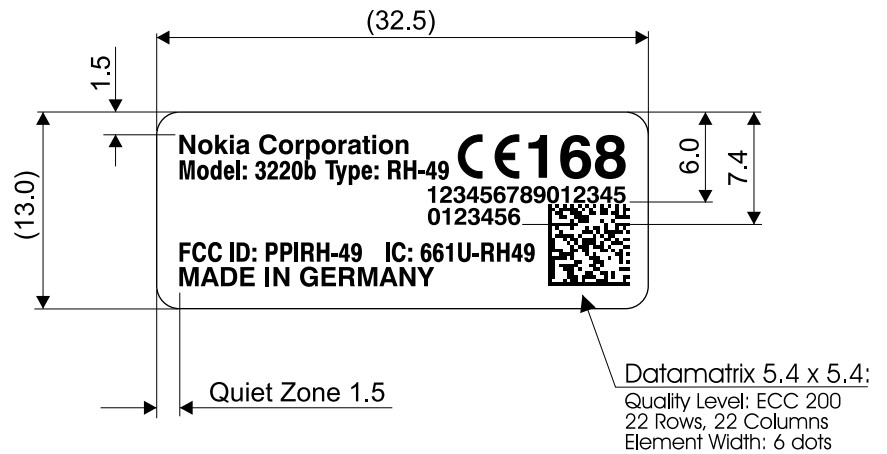
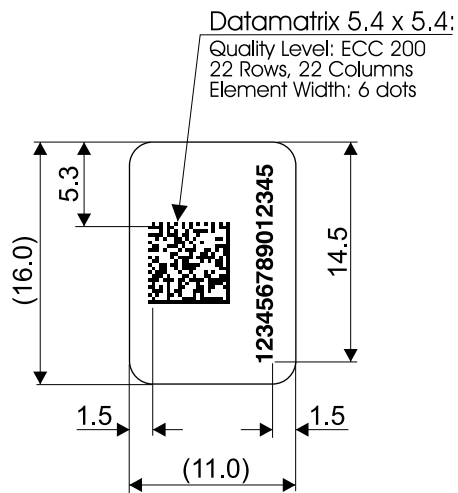
FUNCTIONAL CHARACTERISTICS KEY

- ◆ MAIN FUNCTIONAL CHARACTERISTIC
- ◆ MAIN FUNCTIONAL CHARACTERISTIC (Proof of Process Capability Required)

Work Label

Layout 2:1

Type Label



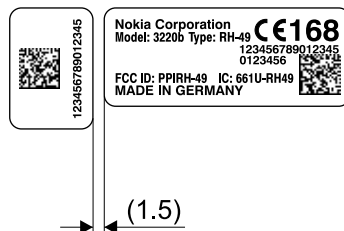
Artwork for production (pcx-file)

1:1



Artwork

1:1



CONNECTION TO PDMS

Following items are printed from PDMS database
 -IMEI "XXXXXXXXXXXX0"
 -Product Code "XXXXXX"

Blank label material: To be printed in NMP production using (600dpi) Thermal Transfer Printer

Place tolerance of printing +/-0.3

4	PRINTING FILE	1	P00373401dpi300.pcx	XX = Doc. Version Number
3	PRINTING FILE	1	P00373401dpi600.pcx	XX = Doc. Version Number
2	Thermal Transfer Ribbon R-7963	1	See Data sheet	NMP CODE: 9730082
1	Combined Blank Type Label Roll	1	DMC07127	NMP CODE: 9381484
No.	Part name	Qty	Drw no.	Note

Material See table.		Original Designer Hansen 210703		
NOKIA	Sheet 1 of 1	Original Scale 1:1		
		Original Size A4		
	NMP Code	0.1	D.Braig 290404	
Item Name HDJ12 TYPE LABEL RH-49, General	Document Number 040-003734	Doc. Vers. 1.0	Tool Vers.	Name / Date D.Braig 070604 Change Ref. Approved / Date Hansen 070604

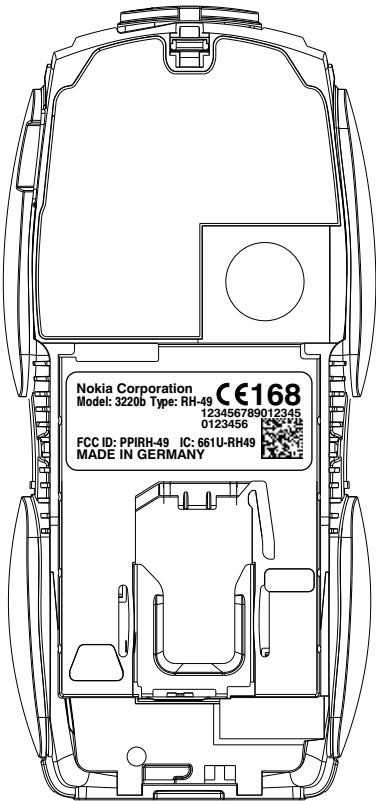


Exhibit 1 : Label Location

Applicant: Nokia

FCC ID: PPIRH-49

Copyright © 2004 Nokia GmbH

NOKIA

NOKIA MOBILE PHONES

Lise-Meitner-Strasse 11

D-89081 Ulm, Germany

+49(0)731-1754-0

+49(0)731-1754-68 00

06/20/2004

Federal Communications Commission

Authorization & Evaluation Division,

7435 Oakland Mills Road,

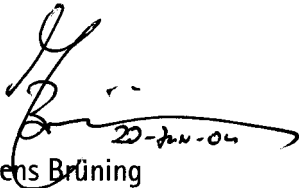
Columbia, MD. 21046

Attention: Equipment Authorization Branch

COMPLIANCE STATEMENT OF PPIRH-49

The compliance statement can be seen in User Guide of PPIRH-49 because the size of the handportable PPIRH-49 and its identification label are so small that the compliance statement cannot be printed large enough to be visible.

NOKIA MOBILE PHONES

A handwritten signature in black ink, appearing to read 'Jens Brüning', with a date '20-jun-04' written below it.

Jens Brüning
Product Program Manager, Ulm