

THIS DRAWING IS PROTECTED BY COPYRIGHT AS AN UNPUBLISHED WORK
 UNAUTHORIZED REPRODUCTION OF THIS DRAWING IS NOT PERMITTED
 THIS DRAWING CONTAINS PROPRIETARY AND CONFIDENTIAL INFORMATION
 This document is the property of Nokia Mobile Phones

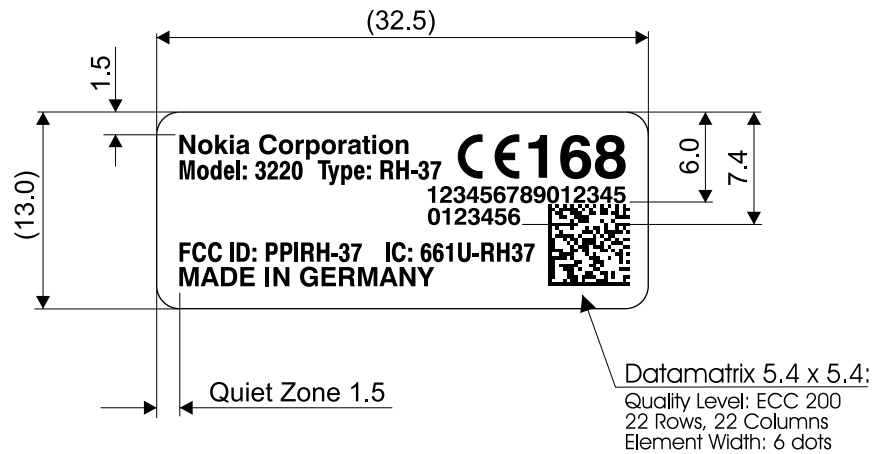
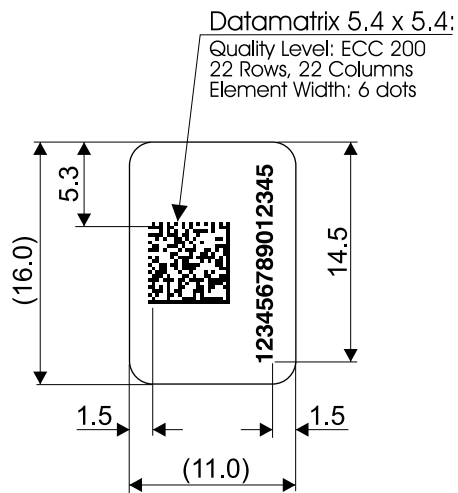
FUNCTIONAL CHARACTERISTICS KEY

- ◆ MAIN FUNCTIONAL CHARACTERISTIC
- ◆ MAIN FUNCTIONAL CHARACTERISTIC
(Proof of Process Capability Required)

Work Label

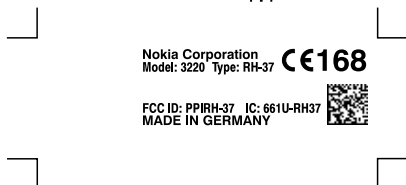
**Layout
2:1**

Type Label



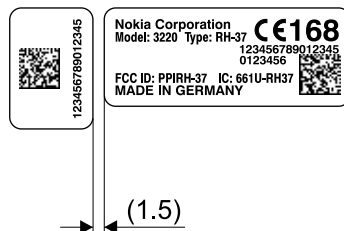
Artwork for production (pcx-file)

1:1



Artwork

1:1



CONNECTION TO PDMS

Following items are printed from PDMS database
 -IMEI "XXXXXXXXXXXX0"
 -Product Code "XXXXXX"

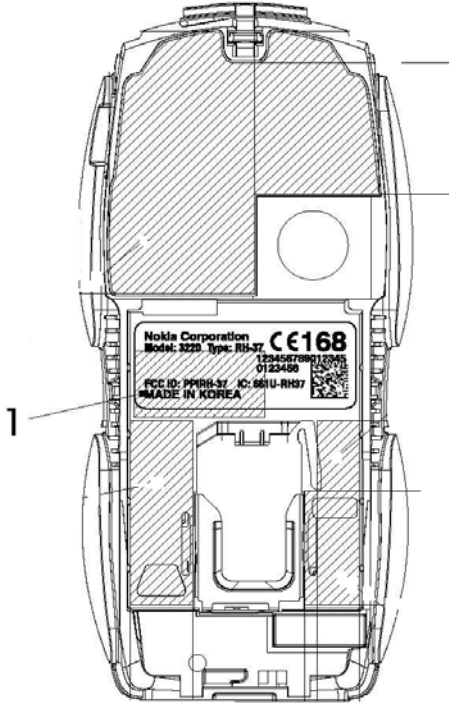
Blank label material: To be printed in NMP production using (600dpi) Thermal Transfer Printer

Place tolerance of printing +/-0.3

Preliminary

4	PRINTING FILE	1	P07779XXdpi300.pcx	XX = Doc. Version Number
3	PRINTING FILE	1	P07779XXdpi600.pcx	XX = Doc. Version Number
2	Thermal Transfer Ribbon R-7963	1	See Data sheet	NMP CODE: 9730082
1	Combined Blank Type Label Roll	1	DMC07127	NMP CODE: 9381484
No.	Part name	Qty	Drw no.	Note

Material		See table.			Original Designer		Hansen 210703		
NOKIA	Sheet 1 of 1	Original Scale	1:1	0.1	D.Braig 210703				
		Original Size	A4	0.2	D.Braig 221003				
		NMP Code			0.3	D.Braig 181104			
					0.4	D.Braig 110304			
Item Name	HDJ12	Document Number	DMP07779	Doc. Vers.	0.5	Tool Vers.	Name / Date	Change Ref.	Approved / Date
TYPE LABEL RH-37, General						D.Braig 220404			



1.



32,5x13 metal.

NOKIA

NOKIA MOBILE PHONES

Lise-Meitner-Strasse 11

D-89081 Ulm, Germany

+49(0)731-1754-0

+49(0)731-1754-68 00

06/07/2004

Federal Communications Commission

Authorization & Evaluation Division,

7435 Oakland Mills Road,

Columbia, MD. 21046

Attention: Equipment Authorization Branch

COMPLIANCE STATEMENT OF PPIRH-37

The compliance statement can be seen in User Guide of PPIRH-37 because the size of the handportable PPIRH-37 and its identification label are so small that the compliance statement cannot be printed large enough to be visible.

NOKIA MOBILE PHONES


Jens Brüning
Product Program Manager, Ulm

9-Jun-04