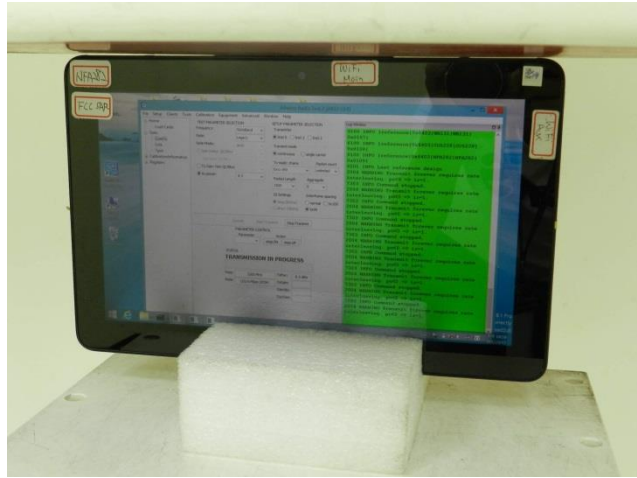


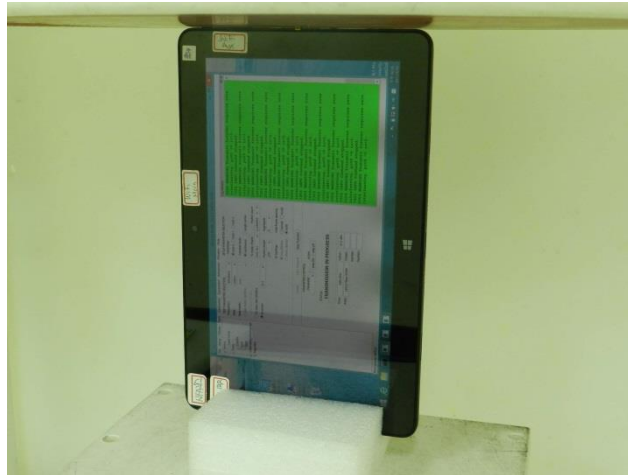
Appendix D. SAR Test Setup Photos



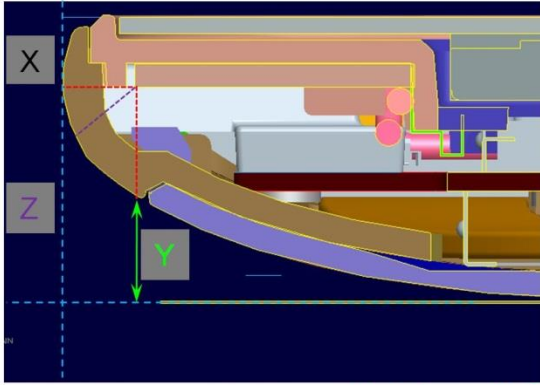
Bottom Face, Test Separation 0 cm



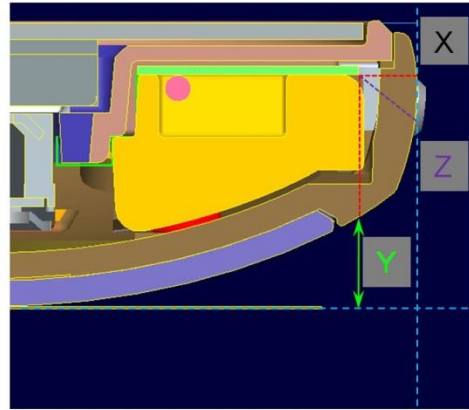
Edge1, Test Separation 0 cm



Edge2, Test Separation 0 cm



WLAN Main Antenna0: X= 0mm, Y= 4.5mm, Z= 3mm



WLAN Aux Antenna1: X= 0mm, Y= 3.9mm, Z= 2.5mm

The additional separation between the device exterior and the phantom surface introduced by the contour is < 5 mm.