

## Appendix D. SAR Test Setup Photos



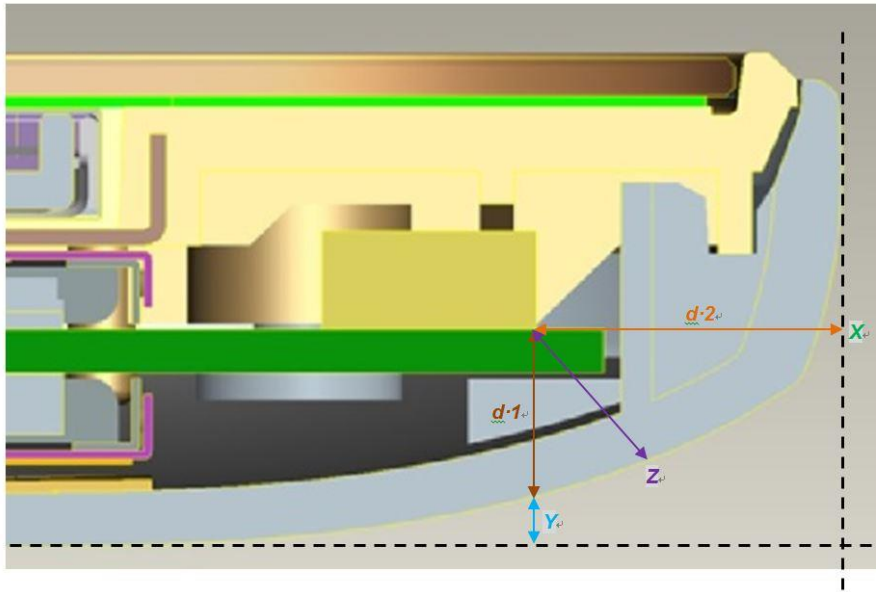
Bottom Face, Test Separation 0 cm



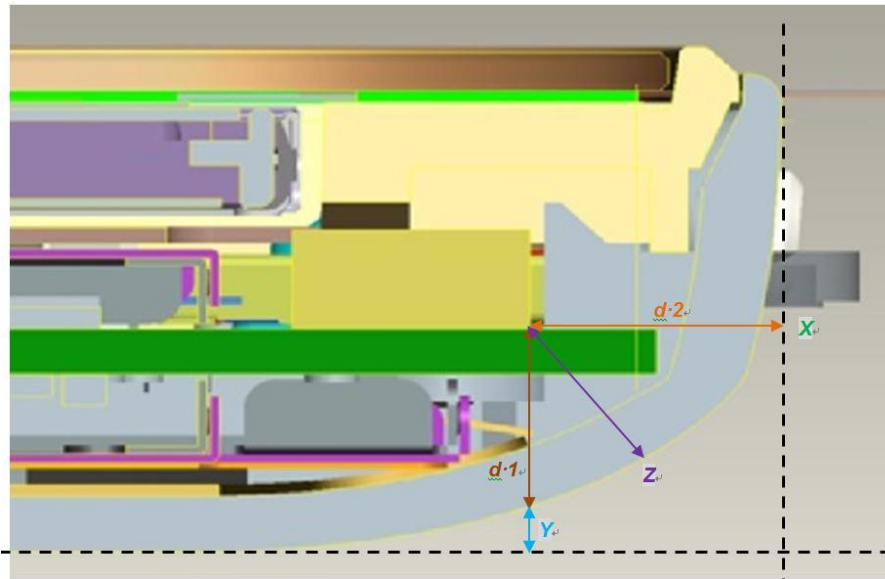
Edge2, Test Separation 0 cm



Edge3, Test Separation 0 cm



WLAN·Main·Antenna · · X=0mm, ·Y=1.23mm, ·Z=2.95, ·d1=4mm, ·d2=4.35mm·



WLAN·Aux·Antenna · · X=0mm, ·Y=0.81mm, ·Z=2.93, ·d1=4mm, ·d2=3.55mm·

The additional separation between the device exterior and the phantom surface introduced by the contour is < 5 mm.