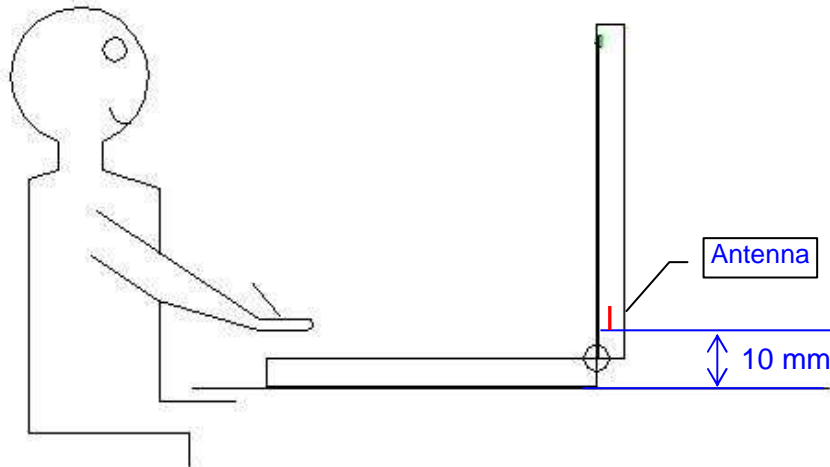


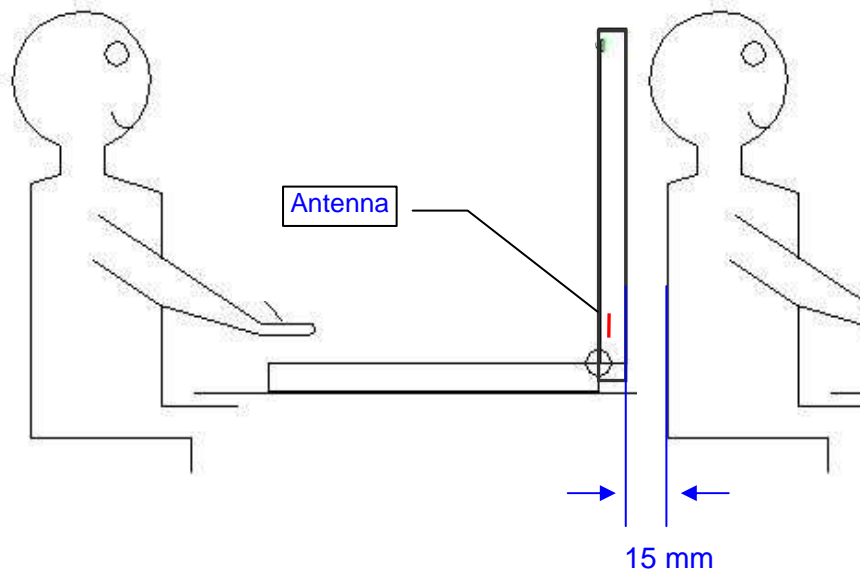
## 15. ANTENNA LOCATIONS AND SEPARATION DISTANCES

### ANTENNA-TO-USERS AND NEARBY PERSONS

Lap-held configuration  
(Separation distance between antenna and user)



Bystander configuration  
(Separation distance between antenna and nearby person)



### 16. TEST SETUP PHOTOS

Lap-held, 0 mm from the bottom of the laptop base-to-phantom



Bystander, 15 mm from back of the screen-to-phantom



## 17. HOST DEVICE PHOTO



END OF REPORT