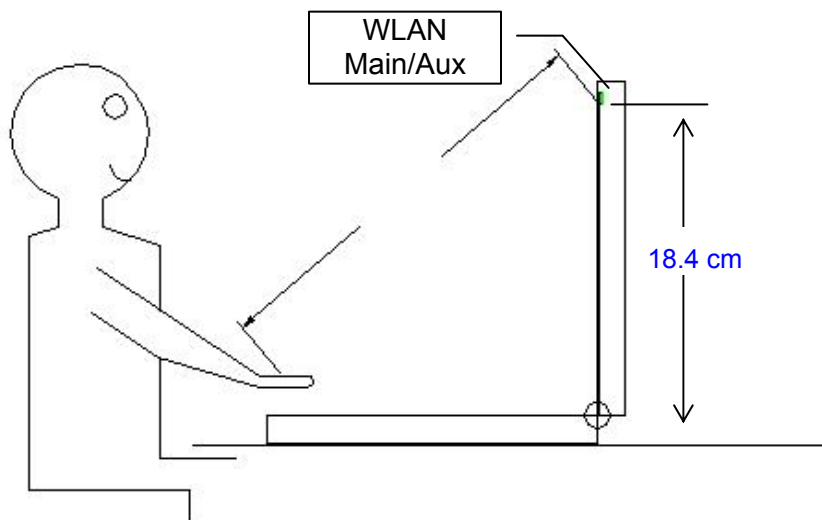
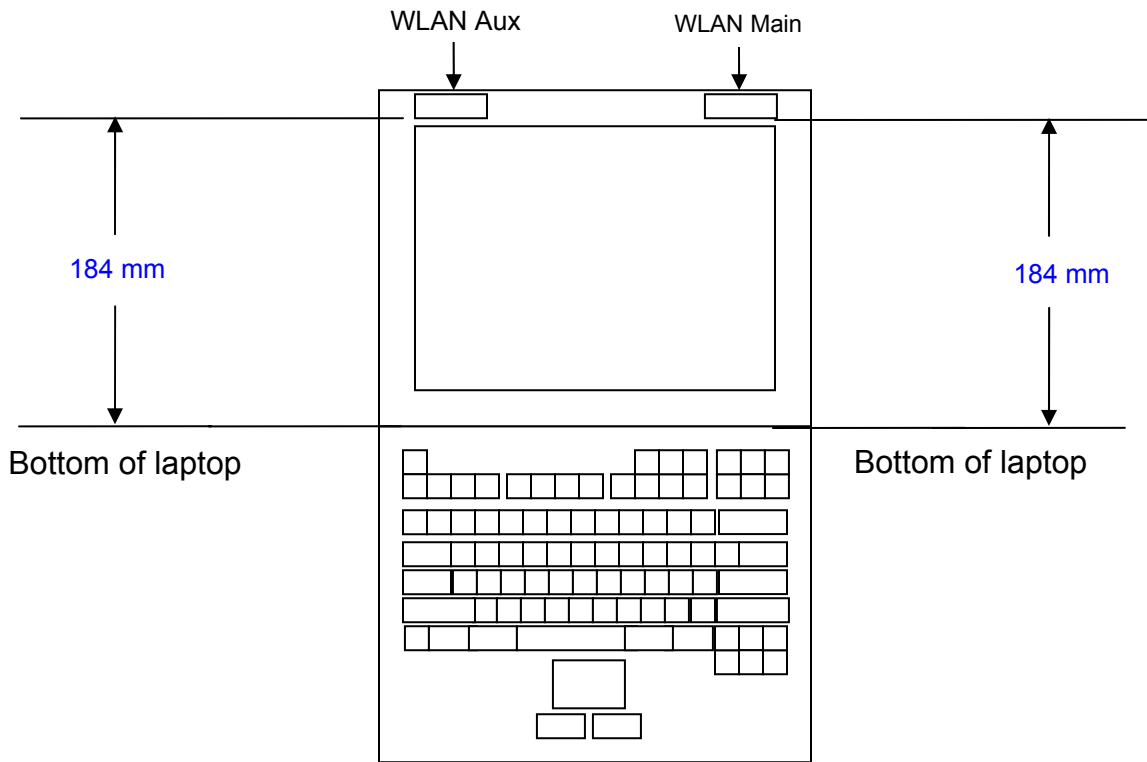


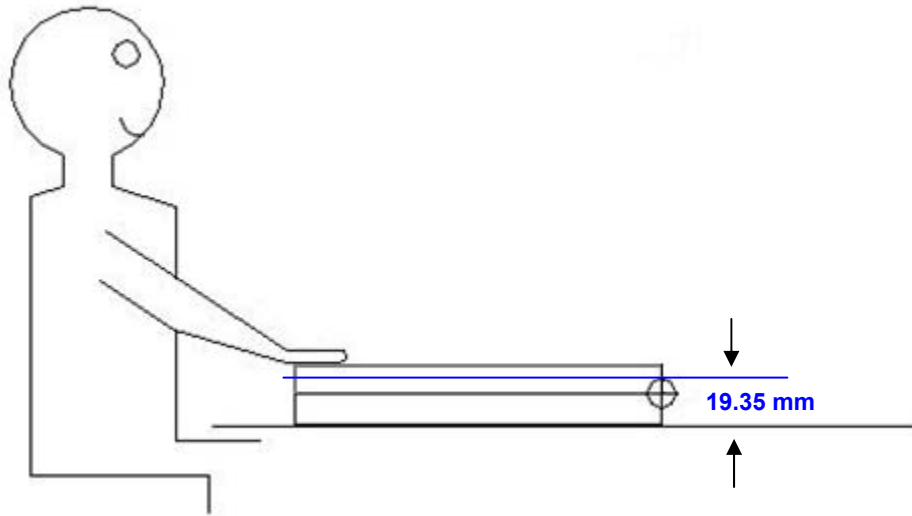
14. ANTENNA LOCATIONS AND SEPARATION DISTANCES

Laptop Mode

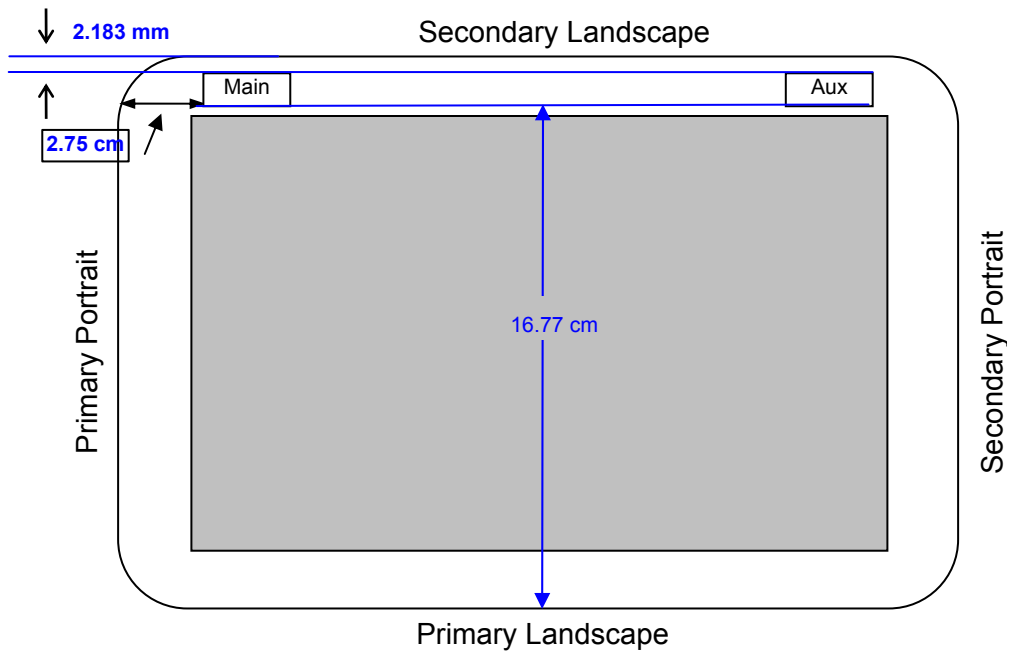
(with display open at 90° to the keyboard)



Tablet – Bottom Face



Tablet – Edges (Landscape & Portrait)



15. TEST SETUP PHOTOS

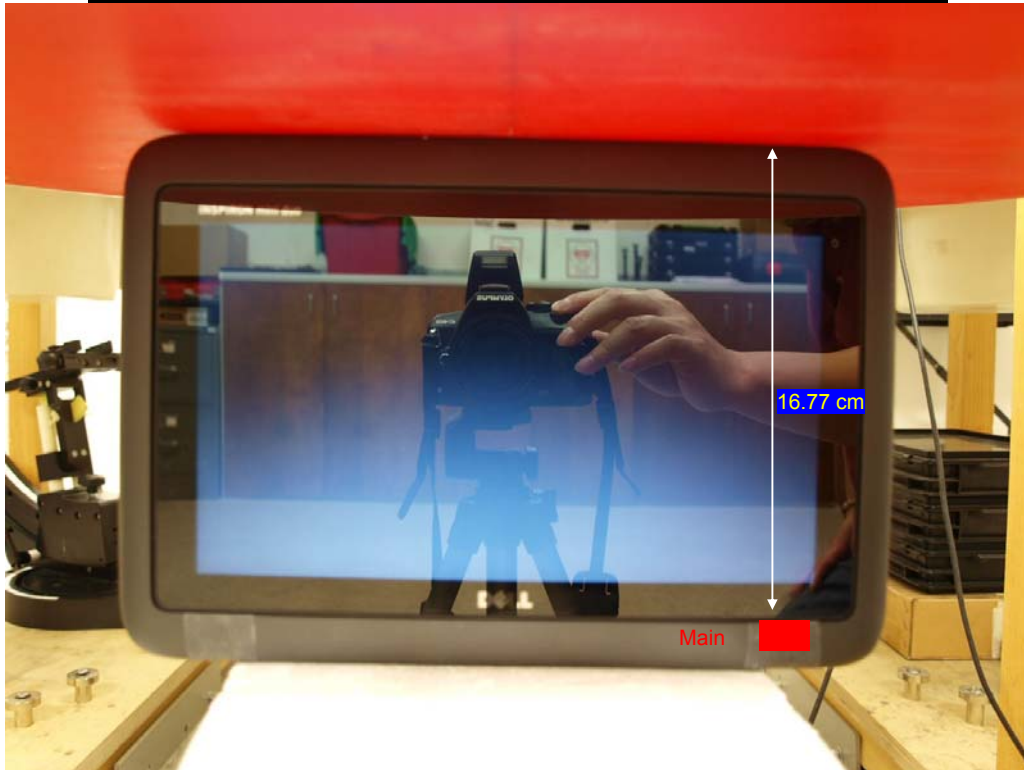
Laptop - Lap-held
(with display open at 90° to the keyboard)



Tablet - Bottom face
(w/ 0.0 cm from the bottom of the laptop base-to-phantom)



Tablet - Edge: Primary Landscape (No SAR due to large distance)



Tablet - Edge: Secondary Landscape (Worst-case)



Tablet - Edge - Primary Portrait (No SAR)



Tablet - Edge - Secondary Portrait (SAR test at Main antenna)



16. HOST DEVICE PHOTOS

Laptop Mode



Tablet Mode - Front View



Tablet Mode - Bottom View



END OF REPORT