



SAR TEST REPORT

HCT CO., LTD

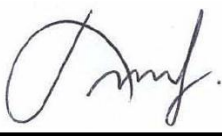

EUT Type:	Dual-Band Dual-Mode GSM/WCDMA Phone with Bluetooth GPRS Class 10 and GPRS mode class B(GPRS and GSM, but not simultaneously)		
FCC ID:	PP4ZEPHYR		
Model:	WP8990	Trade Name	PANTECH&CURITEL
Date of Issue:	Apr.03, 2009		
Test report No.:	HCT-IA0903-1101-01		
Test Laboratory:	HCT CO., LTD. SAN 136-1, AMI-RI, BUBAL-EUP, ICHEON-SI, KYOUNGKI-DO, 467-701, KOREA TEL: +82 31 639 8565 FAX: +82 31 639 8525		
Applicant :	PANTECH&CURITEL COMMUNICATIONS, INC. 110-1, ONGJEONG-RI, TONGJIN-EUP, GIMPO-SI, GYOUNGGI-DO, 415-865, KOREA Tel: +82-2-2030-1220 Fax: +82-2-2030-2520 E-Mail: kpson@pantech.com		
Testing has been carried out in accordance with:	47CFR §2.1093 FCC OET Bulletin 65(Edition 97-01), Supplement C (Edition 01-01) ANSI/ IEEE C95.1 – 2005 IEEE 1528-2003		
Test result:	The tested device complies with the requirements in respect of all parameters subject to the test. The test results and statements relate only to the items tested. The test report shall not be reproduced except in full, without written approval of the laboratory.		
Signature	 <hr/> Report prepared by : Sun-Hee Kim Test Engineer of SAR Part		 <hr/> Approved by : Jae-Sang So Manager of SAR Part

Table of Contents

<u>1. INTRODUCTION</u>	3
<u>2. DESCRIPTION OF DEVICE</u>	4
<u>3. DESCRIPTION OF TEST EQUIPMENT</u>	5
<u>4. SAR MEASUREMENT PROCEDURE</u>	1 2
<u>5. DESCRIPTION OF TEST POSITION</u>	1 3
<u>5.1 HEAD POSITION</u>	1 3
<u>5.2 Body Holster/Belt Clip Configurations</u>	1 4
<u>6. MEASUREMENT UNCERTAINTY</u>	1 5
<u>7. ANSI/ IEEE C95.1 - 2005 RF EXPOSURE LIMITS</u>	1 6
<u>8. SYSTEM VERIFICATION</u>	1 7
<u>8.1 Tissue Verification</u>	1 7
<u>8.2 System Validation</u>	1 7
<u>9. RF CONDUCTED POWER</u>	1 8
<u>9.1 Procedures Used to Establish RF Signal for SAR</u>	1 8
<u>9.2 SAR Measurement Conditions for CDMA2000 1x</u>	1 8
<u>10. SAR Evaluation Considerations for Handsets with Multiple Transmitters and Antennas</u>	2 0
<u>10.1 SAR Evaluation Considerations</u>	2 0
<u>11. SAR TEST DATA SUMMARY</u>	2 1
<u>11.1 Measurement Results (CDMA835 Head SAR)</u>	2 1
<u>11.2 Measurement Results (CDMA835 Head SAR Tilt)</u>	2 2
<u>11.3 Measurement Results (PCS1900 Head SAR Touch)</u>	2 3
<u>11.4 Measurement Results (PCS1900 Head SAR Tilt)</u>	2 4
<u>11.5 Measurement Results (GSM850 Head SAR Touch)</u>	2 5
<u>11.6 Measurement Results (GSM850 Head SAR Tilt)</u>	2 6
<u>11.7 Measurement Results (GSM1900 Head SAR Touch)</u>	2 7
<u>11.8 Measurement Results (GSM1900 Head SAR Tilt)</u>	2 8
<u>11.9 Measurement Results (CDMA835 Body SAR)</u>	2 9
<u>11.10 Measurement Results (PCS1900 Body SAR)</u>	3 0
<u>11.11 Measurement Results (GSM850 Body SAR)</u>	3 1
<u>11.12 Measurement Results (GSM1900 Body SAR)</u>	3 2
<u>12. CONCLUSION</u>	3 3
<u>13. REFERENCES</u>	3 4
Attachment 1. – SAR Test Plots	3 5
Attachment 2. – Dipole Validation Plots	9 8
Attachment 3. – Probe Calibration Data	1 0 5
Attachment 4. – Dipole Calibration Data	1 1 5

1. INTRODUCTION

The FCC has adopted the guidelines for evaluating the environmental effects of radio frequency radiation in ET Docket 93-62 on Aug. 6, 1996 to protect the public and workers from the potential hazards of RF emissions due to FCC-regulated portable devices.

The safety limits used for the environmental evaluation measurements are based on the criteria published by the American National Standards Institute (ANSI) for localized specific absorption rate (SAR) in IEEE/ANSI C95.1-2005 Standard for Safety Levels with Respect to Human Exposure to Radio Frequency Electromagnetic Fields, 3 kHz to 300 GHz. 1992 by the Institute of Electrical and Electronics Engineers, Inc., New York, New York 10017. The measurement procedure described in IEEE/ANSI C95.3-1992 Recommended Practice for the Measurement of Potentially Hazardous Electromagnetic Fields - RF and Microwave is used for guidance in measuring SAR due to the RF radiation exposure from the Equipment Under Test (EUT). These criteria for SAR evaluation are similar to those recommended by the National Council on Radiation Protection and Measurements (NCRP) in Biological Effects and Exposure Criteria for Radio frequency Electromagnetic Fields," NCRP Report No. 86 NCRP, 1986, Bethesda, MD 20814. SAR is a measure of the rate of energy absorption due to exposure to an RF transmitting source. SAR values have been related to threshold levels for potential biological hazards.

SAR Definition

Specific Absorption Rate (SAR) is defined as the time derivative of the incremental electromagnetic energy (dW) absorbed by (dissipated in) an incremental mass (dm) contained in a volume element (dV) of a given density (ρ). It is also defined as the rate of RF energy absorption per unit mass at a point in an absorbing body.

$$SAR = \frac{d}{dt} \left(\frac{dU}{dm} \right) = \frac{d}{dt} \left(\frac{dU}{\rho dV} \right)$$

Figure 2. SAR Mathematical Equation

SAR is expressed in units of Watts per Kilogram (W/kg).

$$SAR = \sigma E^2 / \rho$$

where:

- σ = conductivity of the tissue-simulant material (S/m)
- ρ = mass density of the tissue-simulant material (kg/m³)
- E = Total RMS electric field strength (V/m)

NOTE: The primary factors that control rate of energy absorption were found to be the wavelength of the incident field in relations to the dimensions and geometry of the irradiated organism, the orientation of the organism in relation to the polarity of field vectors, the presence of reflecting surfaces, and whether conductive contact is made by the organism with a ground plane.

2. DESCRIPTION OF DEVICE

Environmental evaluation measurements of specific absorption rate (SAR) distributions in emulated human head and body tissues exposed to radio frequency (RF) radiation from wireless portable devices for compliance with the rules and regulations of the U.S. Federal Communications Commission (FCC).

EUT Type	Dual-Band Dual-Mode CDMA/GSM Phone with Bluetooth GPRS Class 10 and GPRS mode class B (GPRS and GSM, but not simultaneously)
FCC ID	PP4ZEPHYR
Model(s)	WP8990
Trade Name	PANTECH&CURITEL
Serial Number(s)	#1
Application Type	Certification
Modulation(s)	CDMA835/PCS1900/GSM850/GSM1900
Tx Frequency	824.70 - 848.31 MHz (CDMA) 1 851.25 – 1 908.75 MHz (PCS CDMA) 824.20 - 848.80 MHz (GSM850) 1 850.20 – 1 909.80 MHz (GSM1900)
Rx Frequency	869.70 - 893.31 MHz (CDMA) 1 931.25 – 1 988.75 MHz (PCS CDMA) 869.20 - 893.80 MHz (GSM850) 1 930.20 – 1 989.80 MHz (GSM1900)
FCC Classification	Licensed Portable Transmitter Held to Ear (PCE)
Production Unit or Identical Prototype	Prototype
Max SAR	1.02 W/kg CDMA835 Head SAR / 1.33 W/kg CDMA835 Body SAR 1.29 W/kg PCS1900 Head SAR / 1 W/kg PCS1900 Body SAR 1.13 W/kg GSM850 Head SAR / 1.27 W/kg GSM850 Body SAR 0.412 W/kg GSM1900 Head SAR / 0.605 W/kg GSM1900 Body SAR
Date(s) of Tests	Apr. 1, 2009 ~ Apr. 2, 2009
Antenna Type	Intenna

3. DESCRIPTION OF TEST EQUIPMENT

3.1 SAR MEASUREMENT SETUP

These measurements are performed using the DASY4 automated dosimetric assessment system. It is made by Schmid & Partner Engineering AG (SPEAG) in Zurich, Switzerland. It consists of high precision robotics system (Staubli), robot controller, Pentium III computer, near-field probe, probe alignment sensor, and the generic twin phantom containing the brain equivalent material. The robot is a six-axis industrial robot performing precise movements to position the probe to the location (points) of maximum electromagnetic field (EMF) (see Figure.3.1).

A cell controller system contains the power supply, robot controller, teach pendant (Joystick), and remote control, is used to drive the robot motors. The PC consists of the HP Pentium IV 3.0 GHz computer with Windows XP system and SAR Measurement Software DASY4, A/D interface card, monitor, mouse, and keyboard. The Staubli Robot is connected to the cell controller to allow software manipulation of the robot. A data acquisition electronic (DAE) circuit performs the signal amplification, signal multiplexing, AD-conversion, offset measurements, mechanical surface detection, collision detection, etc. is connected to the Electro-optical coupler (EOC). The EOC performs the conversion from the optical into digital electric signal of the DAE and transfers data to the PC plug-in card.

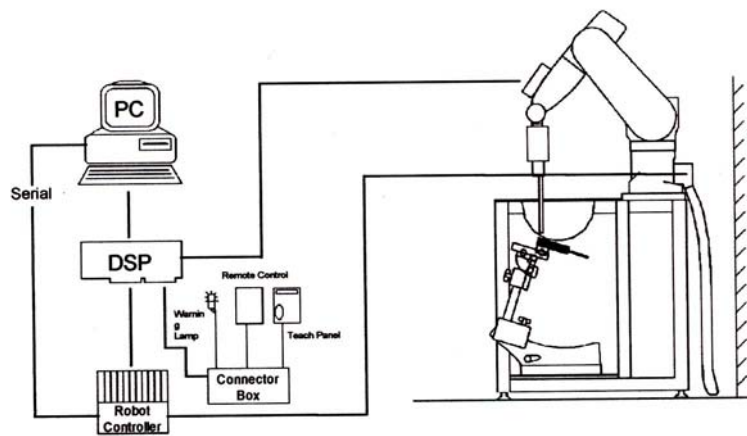


Figure 3.1 HCT SAR Lab. Test Measurement Set-up

The DAE4 consists of a highly sensitive electrometer-grade preamplifier with auto-zeroing, a channel and gain-switching multiplexer, a fast 16 bit AD-converter and a command decoder and control logic unit. Transmission to the PC-card is accomplished through an optical downlink for data and status information and an optical uplink for commands and clock lines. The mechanical probe mounting device includes two different sensor systems for frontal and sidewise probe contacts. They are also used for mechanical surface detection and probe collision detection. The robot uses its own controller with a built in VME-bus computer. The system is described in detail in.

3.2 DASY E-FIELD PROBE SYSTEM

3.2.1 ET3DV6 Probe Specification

Construction	Symmetrical design with triangular core Built-in optical fiber for surface detection System Built-in shielding against static charges
Calibration	In air from 10 MHz to 2.5 GHz In brain and muscle simulating tissue at Frequencies of 450 MHz, 900 MHz and 1.8 GHz (accuracy: 8 %)
Frequency	10 MHz to > 6 GHz; Linearity: ± 0.2 dB (30 MHz to 3 GHz)
Directivity	± 0.2 dB in brain tissue (rotation around probe axis) ± 0.4 dB in brain tissue (rotation normal probe axis)
Dynamic	5 μ W/g to > 100 mW/g;
Range Linearity:	± 0.2 dB
Surface Detection	± 0.2 mm repeatability in air and clear liquids over diffuse reflecting surfaces.
Dimensions	Overall length: 330 mm Tip length: 16 mm Body diameter: 12 mm Tip diameter: 6.8 mm Distance from probe tip to dipole centers: 2.7 mm
Application	General dissymmetry up to 3 GHz Compliance tests of mobile phones Fast automatic scanning in arbitrary phantoms



Figure 3.2 Photograph of the probe and the Phantom

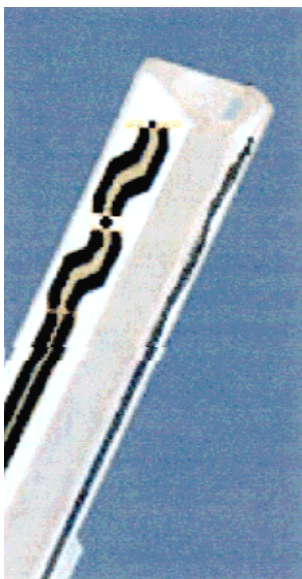


Figure 3.3 ET3DV6 E-field Probe

The SAR measurements were conducted with the dosimetric probe ET3DV6, designed in the classical triangular configuration and optimized for dosimetric evaluation. The probe is constructed using the thick film technique; with printed resistive lines on ceramic substrates. The probe is equipped with an optical multifiber line ending at the front of the probe tip. It is connected to the EOC box on the robot arm and provides an automatic detection of the phantom surface. Half of the fibers are connected to a pulsed infrared transmitter, the other half to a synchronized receiver. As the probe approaches the surface, the reflection from the surface produces a coupling from the transmitting to the receiving fibers. This reflection increases first during the approach, reaches a maximum and then decreases. If the probe is flatly touching the surface, the coupling is zero. The distance of the coupling maximum to the surface is independent of the surface reflectivity and largely independent of the surface to probe angle. The DASY4 software reads the reflection during a software approach and looks for the maximum using a 2nd order fitting. The approach is stopped at reaching the maximum.

3.3 PROBE CALIBRATION PROCESS

3.3.1 E-Probe Calibration

Each probe is calibrated according to a dosimetric assessment procedure with an accuracy better than ± 10 %. The spherical isotropy was evaluated with the proper procedure and found to be better than ± 0.25 dB. The sensitivity parameters (NormX, NormY, NormZ), the diode compression parameter (DCP) and the conversion factor (ConvF) of the probe is tested.

The free space E-field from amplified probe outputs is determined in a test chamber. This is performed in a TEM cell for frequencies bellow 1 GHz, and in a waveguide above 1 GHz for free space. For the free space calibration, the probe is placed in the volumetric center of the cavity and at the proper orientation with the field. The probe is then rotated 360 degrees.

E-field temperature correlation calibration is performed in a flat phantom filled with the appropriate simulated brain tissue. The measured free space E-field in the medium correlates to temperature rise in a dielectric medium. For temperature correlation calibration a RF transparent thermistor-based temperature probe is used in conjunction with the E-field probe.

$$SAR = C \frac{\Delta T}{\Delta t}$$

where:

- Δt = exposure time (30 seconds),
- C = heat capacity of tissue (brain or muscle),
- ΔT = temperature increase due to RF exposure.

SAR is proportional to $\Delta T / \Delta t$, the initial rate of tissue heating, before thermal diffusion takes place. Now it's possible to quantify the electric field in the simulated tissue by equating the thermally derived SAR to the E- field;

$$SAR = \frac{|E|^2 \cdot \sigma}{\rho}$$

where:

- σ = simulated tissue conductivity,
- ρ = Tissue density (1.25 g/cm³ for brain tissue)

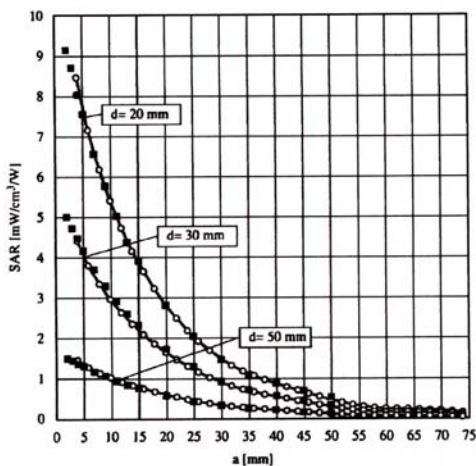


Figure 3.4 E-Field and Temperature measurements at 900 MHz

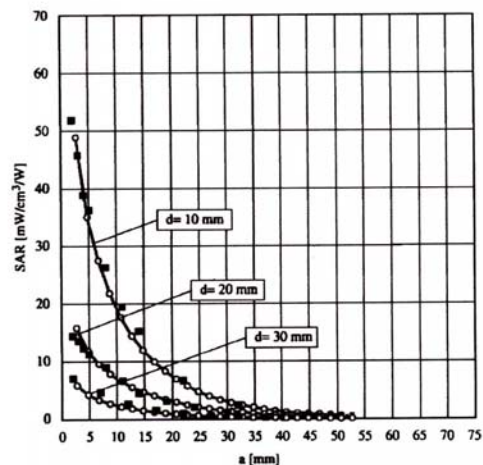


Figure 3.5 E-Field and temperature measurements at 1.8 GHz

3.3.2 Data Extrapolation

The DASY4 software automatically executes the following procedures to calculate the field units from the microvolt readings at the probe connector. The first step of the evaluation is a linearization of the filtered input signal to account for the compression characteristics of the detector diode. The compensation depends on the input signal, the diode type and the DC-transmission factor from the diode to the evaluation electronics. If the exciting field is pulsed, the crest factor of the signal must be known to correctly compensate for peak power. The formula for each channel can be given like below;

$$V_i = U_i + U_i^2 \cdot \frac{cf}{dcp_i}$$

with V_i = compensated signal of channel i (i=x,y,z)
 U_i = input signal of channel i (i=x,y,z)
 cf = crest factor of exciting field (DASY parameter)
 dcp_i = diode compression point (DASY parameter)

From the compensated input signals the primary field data for each channel can be evaluated:

E-field probes:

$$E_i = \sqrt{\frac{V_i}{Norm_i \cdot ConvF}}$$

with V_i = compensated signal of channel i (i = x,y,z)
 $Norm_i$ = sensor sensitivity of channel i (i = x,y,z)
 $\mu V/(V/m)^2$ for E-field probes
 $ConvF$ = sensitivity of enhancement in solution
 E_i = electric field strength of channel i in V/m

The RSS value of the field components gives the total field strength (Hermetian magnitude):

$$E_{tot} = \sqrt{E_x^2 + E_y^2 + E_z^2}$$

The primary field data are used to calculate the derived field units.

$$SAR = E_{tot}^2 \cdot \frac{\sigma}{\rho \cdot 1000}$$

with SAR = local specific absorption rate in W/g
 E_{tot} = total field strength in V/m
 σ = conductivity in [mho/m] or [Siemens/m]
 ρ = equivalent tissue density in g/cm³

The power flow density is calculated assuming the excitation field to be a free space field.

$$P_{pwe} = \frac{E_{tot}^2}{3770}$$

with P_{pwe} = equivalent power density of a plane wave in W/cm²
 E_{tot} = total electric field strength in V/m

3.4 SAM Phantom

The SAM Phantom is constructed of a fiberglass shell integrated in a wooden table. The shape of the shell is based on data from an anatomical study designed to determine the maximum exposure in at least 90 % of all users. It enables the dosimetric evaluation of left and right hand phone usage as well as body mounted usage at the flat phantom region. A cover prevents the evaporation of the liquid. Reference markings on the Phantom allow the complete setup of all predefined phantom positions and measurement grids by manually teaching three points in the robot.

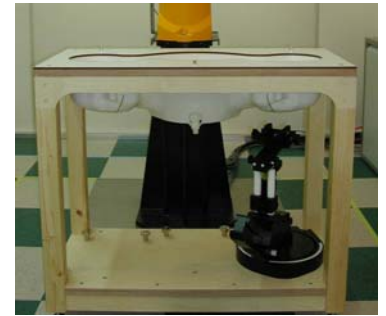


Figure 3.6 SAM Phantom

Shell Thickness	2.0 mm
Filling Volume	about 30 L
Dimensions	810 mm x 1 000 mm x 500 mm (H x L x W)

3.5 Device Holder for Transmitters

In combination with the SAM Phantom V 4.0, the Mounting Device (POM) enables the rotation of the mounted transmitter in spherical coordinates whereby the rotation points is the ear opening. The devices can be easily, accurately, and repeatably positioned according to the FCC and CENELEC specifications. The device holder can be locked at different phantom locations (left head, right head, flat phantom).

Note: A simulating human hand is not used due to the complex anatomical and geometrical structure of the hand that may produce an infinite number of configurations. To produce the Worst-case condition (the hand absorbs antenna output power), the hand is omitted during the tests.



Figure 3.7 Device Holder

3.6 Brain & Muscle Simulating Mixture Characterization

The brain and muscle mixtures consist of a viscous gel using hydrox-ethyl cellulose (HEC) gelling agent and saline solution (see Table 3.1). Preservation with a bactericide is added and visual inspection is made to make sure air bubbles are not trapped during the mixing process. The mixture is calibrated to obtain proper dielectric constant (permittivity) and conductivity of the desired tissue. The mixture characterizations used for the brain and muscle tissue simulating liquids are according to the data by C. Gabriel and G. Hartsgrove.

Ingredients (% by weight)	Frequency (MHz)									
	450		835		915		1 900		2 450	
Tissue Type	Head	Body	Head	Body	Head	Body	Head	Body	Head	Body
Water	38.56	51.16	41.45	52.4	41.05	56.0	54.9	40.4	62.7	73.2
Salt (NaCl)	3.95	1.49	1.45	1.4	1.35	0.76	0.18	0.5	0.5	0.04
Sugar	56.32	46.78	56.0	45.0	56.5	41.76	0.0	58.0	0.0	0.0
HEC	0.98	0.52	1.0	1.0	1.0	1.21	0.0	1.0	0.0	0.0
Bactericide	0.19	0.05	0.1	0.1	0.1	0.27	0.0	0.1	0.0	0.0
Triton X-100	0.0	0.0	0.0	0.0	0.0	0.0	0.0	0.0	36.8	0.0
DGBE	0.0	0.0	0.0	0.0	0.0	0.0	44.92	0.0	0.0	26.7

Salt: 99 % Pure Sodium Chloride Sugar: 98 % Pure Sucrose
 Water: De-ionized, 16M resistivity HEC: Hydroxyethyl Cellulose
 DGBE: 99 % Di(ethylene glycol) butyl ether,[2-(2-butoxyethoxy) ethanol]
 Triton X-100(ultra pure): Polyethylene glycol mono[4-(1,1,3,3-tetramethylbutyl)phenyl] ether

Table 3.1 Composition of the Tissue Equivalent Matter

3.7 SAR TEST EQUIPMENT

Manufacturer	Type / Model	S/N	Calib. Date	Calib.Interval	Calib.Due
SPEAG	SAM Phantom	-	N/A	N/A	N/A
Staubli	Robot RX90L	F01/5K09A1/A/01	N/A	N/A	N/A
Staubli	Robot ControllerCS7MB	F99/5A82A1/C/01	N/A	N/A	N/A
HP	Pavilion t000_puffer	KRJ51201TV	N/A	N/A	N/A
SPEAG	Light Alignment Sensor	265	N/A	N/A	N/A
Staubli	Teach Pendant (Joystick)	D221340.01	N/A	N/A	N/A
SPEAG	DAE4	869	Sept. 03, 2008	Annual	Sept. 03, 2009
SPEAG	DAE3	466	July 17, 2008	Annual	July 17, 2009
SPEAG	E-Field Probe ES3DV3	3161	April 7, 2008	Annual	April 7, 2009
SPEAG	E-Field Probe ES3DV6	1609	Mar. 17, 2009	Annual	Mar. 17, 2010
SPEAG	E-Field Probe ES3DV6	1630	Aug. 25, 2008	Annual	Aug. 25, 2009
SPEAG	Validation Dipole D450V2	1007	July 15, 2008	Biennial	July 15, 2010
SPEAG	Validation Dipole D835V2	441	May 19, 2008	Biennial	May 19, 2010
SPEAG	Validation Dipole D900V2	130	Aug. 25, 2008	Biennial	Aug. 25, 2010
SPEAG	Validation Dipole D1800V2	2d007	May 20, 2008	Biennial	May 20, 2010
SPEAG	Validation Dipole D1900V2	5d032	July 22, 2008	Biennial	July 22, 2010
SPEAG	Validation Dipole D2450V2	743	Aug. 27, 2008	Biennial	Aug. 27, 2010
Agilent	Power Meter(F) E4419B	MY41291386	Nov. 05, 2008	Annual	Nov. 05, 2009
Agilent	Power Sensor(G) 8481	MY41090870	Nov. 05, 2008	Annual	Nov. 05, 2009
HP	Dielectric Probe Kit 85070C	00721521	N/A	N/A	N/A
HP	Dual Directional Coupler	16072	Nov. 05, 2008	Annual	Nov. 05, 2009
R&S	Base Station CMU200	110740	July 26, 2008	Annual	July 26, 2009
Agilent	Base Station E5515C	GB44400269	Feb. 10, 2009	Annual	Feb. 10, 2010
HP	Signal Generator E4438C	MY42082646	Dec. 24, 2008	Annual	Dec. 24, 2009
HP	Network Analyzer 8753ES	JP39240221	Apr. 11, 2008	Annual	Apr. 11, 2009
EM POWER	Power Amp BBS3Q7ELU	1009D/C0028	Nov. 05, 2008	Annual	Nov. 05, 2009
Tescom	TC-3000/ Bluetooth	3000A490112	Jan. 09, 2009	Annual	Jan. 09, 2010

NOTE:

The E-field probe was calibrated by SPEAG, by the waveguide technique procedure. Dipole Validation measurement is performed by HCT Lab. before each test. The brain simulating material is calibrated by HCT using the dielectric probe system and network analyzer to determine the conductivity and permittivity (dielectric constant) of the brain-equivalent material.

4. SAR MEASUREMENT PROCEDURE

The evaluation was performed with the following procedure:

1. The SAR value at a fixed location above the ear point was measured and was used as a reference value for assessing the power drop.
2. The SAR distribution at the exposed side of the head was measured at a distance of 3.9 mm from the inner surface of the shell. The area covered the entire dimension of the head and the horizontal grid spacing was 20 mm x 20 mm. Based on this data, the area of the maximum absorption was determined by spline interpolation.
3. Around this point, a volume of 32 mm x 32 mm x 30 mm was assessed by measuring 5 x 5 x 7 points. On this basis of this data set, the spatial peak SAR value was evaluated with the following procedure:
 - a. The data at the surface were extrapolated, since the center of the dipoles is 2.7 mm away from the tip of the probe and the distance between the surface and the lowest measuring point is 1.2 mm. The extrapolation was based on a least square algorithm. A polynomial of the fourth order was calculated through the points in z-axes. This polynomial was then used to evaluate the points between the surface and the probe tip.
 - b. The maximum interpolated value was searched with a straight-forward algorithm. Around this maximum the SAR values averaged over the spatial volumes (1 g or 10 g) were computed using the 3D-Spline interpolation algorithm. The 3D-spline is composed of three one-dimensional splines with the "Not a knot" condition (in x, y, and z directions. The volume was integrated with the trapezoidal algorithm. One thousand points (10 x 10 x 10) were interpolated to calculate the average.
 - c. All neighboring volumes were evaluated until no neighboring volume with a higher average value was found.
4. The SAR value, at the same location as procedure #1, was re-measured. If the value changed by more than 5 %, the evaluation is repeated.

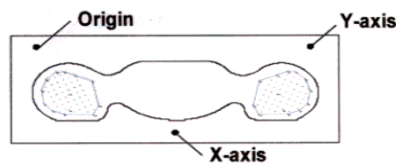


Figure 4.1 SAR Measurement Point in Area Scan

5. DESCRIPTION OF TEST POSITION

5.1 HEAD POSITION

The device was placed in a normal operating position with the Point A on the device, as illustrated in following drawing, aligned with the location of the RE(ERP) on the phantom. With the ear-piece pressed against the head, the vertical center line of the body of the handset was aligned with an imaginary plane consisting of the RE, LE and M. While maintaining these alignments, the body of the handset was gradually moved towards the cheek until any point on the mouth-piece or keypad contacted the cheek. This is a cheek/touch position. For ear/tilt position, while maintain the device aligned with the BM and FN lines, the device was pivot against ERP back for 15° or until the device antenna touch the phantom. Please refer to IEEE 1528-2003 illustration below.

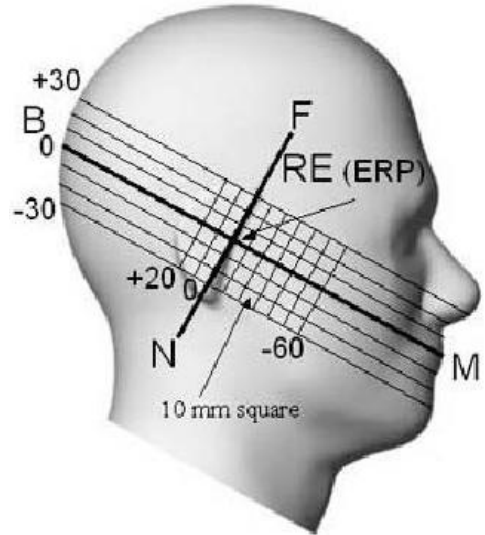


Figure 5.1 Side view of the phantom

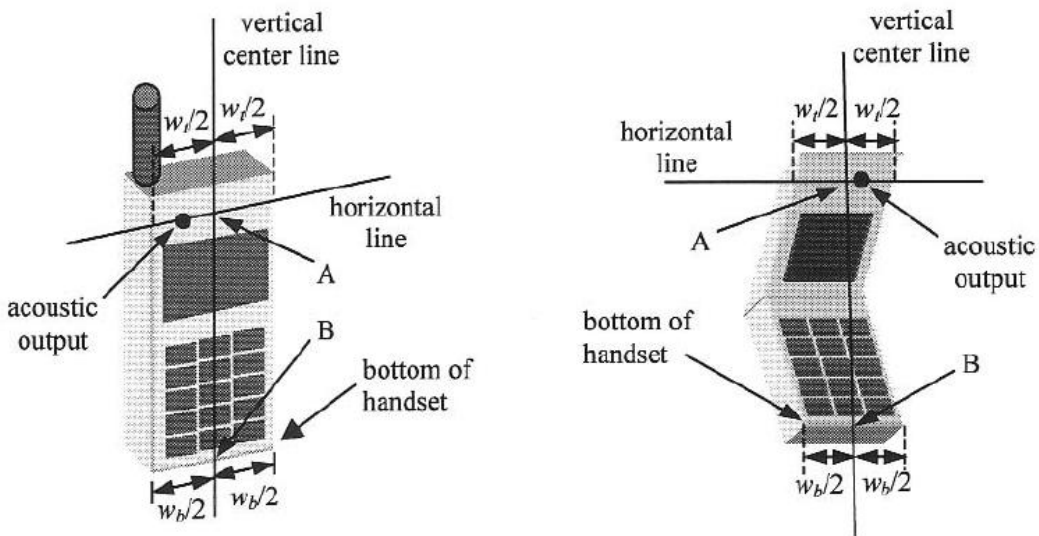


Figure 5.2 Handset vertical and horizontal reference lines

5.2 Body Holster/Belt Clip Configurations

Body-worn operating configurations are tested with the belt-clips and holsters attached to the device and positioned against a flat phantom in a normal use configuration. A device with a headset output is tested with a headset connected to the device. Body dielectric parameters are used.

Accessories for Body-worn operation configurations are divided into two categories: those that do not contain metallic components and those that contain metallic components. When multiple accessories that do not contain metallic components are supplied with the device, the device is tested with only the accessory that dictates the closest spacing to the body. Then multiple accessories that contain metallic components are tested with each accessory. If multiple accessory share an identical metallic component (i.e. the same metallic belt-clip used with different holsters with no other metallic components) only the accessory that dictates the closest spacing to the body is tested.

Body-worn accessories may not always be supplied or available as options for some Devices intended to be authorized for body-worn use. In this case, a test configuration with a separation distance between the back of the device and the flat phantom is used.

For this test the EUT is placed into the Body worn accessory and the accessory is positioned against the surface of the phantom in a normal operating position. (2 mm separation phantom thickness)

"See the Test SET-UP Photo"

Transmitters that are designed to operate in front of a person's face, as in push-to-talk configurations, are tested for SAR compliance with the front of the device positioned to face the flat phantom. For devices that are carried next to the body such as a shoulder, waist or chest-worn transmitters, SAR compliance is tested with the accessory(ies), including headsets and microphones, attached to the device and positioned against a flat phantom in a normal use configuration.

In all cases SAR measurements are performed to investigate the worst-case positioning. Worstcase positioning is then documented and used to perform Body SAR testing.

6. MEASUREMENT UNCERTAINTY

Measurement uncertainties in SAR measurements are difficult to quantify due to several variables including biological, physiological, and environmental. However, we estimate the measurement uncertainties in SAR to be less than 15 % - 25 %.

According to ANSI/IEEE C95.3, the overall uncertainties are difficult to assess and will vary with the type of meter and usage situation. However, accuracy's of 1 dB to ± 3 dB can be expected in practice, with greater uncertainties in near-field situations and at higher frequencies (shorter wavelengths), or areas where large reflecting objects are present. Under optimum measurement conditions, SAR measurement uncertainties of at least ± 2 dB can be expected.

According to CENELEC, typical worst-case uncertainty of field measurements is 5 dB. For well-defined modulation characteristics the uncertainty can be reduced to ± 3 dB.

Error Description	Uncertainty value [%]	Probability Distribution	Divisor	ci	ci^2	Standard Uncertainty [%]	Stand Uncert^2	(Stand Uncert^2) X (ci^2)	Vi & Ve/ff
1. Measurement System									
Probe Calibration	5.5	Normal	1.00	1	1	5.50	30.25	30.25	∞
Axial Isotropy	4.7	Rectangular	1.73	0.7	0.49	2.71	7.36	3.61	∞
Hemispherical Isotropy	9.6	Rectangular	1.73	0.7	0.49	5.54	30.72	15.05	∞
Linearity	4.7	Rectangular	1.73	1	1	2.71	7.36	7.36	∞
System Detection limits	1.0	Rectangular	1.73	1	1	0.58	0.33	0.33	∞
Boundary effect	1.0	Rectangular	1.73	1	1	0.58	0.33	0.33	∞
Response time	0.8	Rectangular	1.73	1	1	0.46	0.21	0.21	∞
RF Ambient conditions	3.0	Rectangular	1.73	1	1	1.73	3.00	3.00	∞
Readout Electronics	0.3	Normal	1.00	1	1	0.30	0.09	0.09	∞
Integration time	2.6	Rectangular	1.73	1	1	1.50	2.25	2.25	∞
Probe positioner	0.4	Rectangular	1.73	1	1	0.23	0.05	0.05	∞
Probe positioning	2.9	Rectangular	1.73	1	1	1.67	2.80	2.80	∞
Maximum SAR evaluation	1.0	Rectangular	1.73	1	1	0.58	0.33	0.33	∞
Sub Total								65.69	
2. Test Sample Related									
Device Positioning	1.8	Normal	1.00	1	1	1.81	3.28	3.28	9
Device Holder	3.6	Normal	1.00	1	1	3.60	12.96	12.96	∞
Power Drift	5.0	Rectangular	1.73	1	1	2.89	8.33	8.33	∞
Sub Total								24.57	
3. Phantom and Setup									
Phantom Uncertainty	4.0	Rectangular	1.73	1	1	2.31	5.33	5.33	∞
Liquid conductivity (target)	5.0	Rectangular	1.73	0.5	0.25	2.89	8.33	2.08	∞
Liquid conductivity (measurement error)	2.5	Normal	1.00	0.5	0.25	2.50	6.25	1.56	∞
Liquid permittivity (target)	5.0	Rectangular	1.73	0.5	0.25	2.89	8.33	2.08	∞
Liquid permittivity (measurement error)	2.5	Normal	1.00	0.5	0.25	2.50	6.25	1.56	∞
Sub Total								12.63	
Combined standard SAR uncertainty [%]						10.14		102.88	-
Expanded uncertainty [k=2, approximately confidence level 95 %]						± 20.28 %			

Table 6.1 Breakdown of Errors

7. ANSI/ IEEE C95.1 - 2005 RF EXPOSURE LIMITS

HUMAN EXPOSURE	UNCONTROLLED ENVIRONMENT General Population (W/kg) or (mW/g)	CONTROLLED ENVIRONMENT Occupational (W/kg) or (mW/g)
SPATIAL PEAK SAR * (Brain)	1.60	8.00
SPATIAL AVERAGE SAR ** (Whole Body)	0.08	0.40
SPATIAL PEAK SAR *** (Hands / Feet / Ankle / Wrist)	4.00	20.00

Table 7.1 Safety Limits for Partial Body Exposure

NOTES:

* The Spatial Peak value of the SAR averaged over any 1 g of tissue (defined as a tissue volume in the shape of a cube) and over the appropriate averaging time.

** The Spatial Average value of the SAR averaged over the whole-body.

*** The Spatial Peak value of the SAR averaged over any 10 g of tissue (defined as a tissue volume in the shape of a cube) and over the appropriate averaging time.

Uncontrolled Environments are defined as locations where there is the exposure of individuals who have no knowledge or control of their exposure.

Controlled Environments are defined as locations where there is exposure that may be incurred by persons who are aware of the potential for exposure, (i.e.as a result of employment or occupation).

8. SYSTEM VERIFICATION

8.1 Tissue Verification

Freq. [MHz]	Date	Liquid	Liquid Temp.[°C]	Parameters	Target Value	Measured Value	Deviation [%]	Limit [%]
835	Apr.01, 2009	Head	21.3	ϵr	41.5	42.6	+ 2.65	± 5
				σ	0.90	0.885	- 1.67	± 5
835	Apr.01, 2009	Body	21.3	ϵr	55.2	53.95	- 2.26	± 5
				σ	0.97	0.99	+ 2.06	± 5
1 900	Apr.02, 2009	Head	21.3	ϵr	40.0	39.2	- 2.00	± 5
				σ	1.40	1.42	+ 1.43	± 5
1 900	Apr.02, 2009	Body	21.3	ϵr	53.3	53.03	- 0.51	± 5
				σ	1.52	1.50	- 1.32	± 5

8.2 System Validation

Prior to assessment, the system is verified to the $\pm 10\%$ of the specifications at 835 MHz/ 1 900 MHz by using the system validation kit. (Graphic Plots Attached)

* Input Power: 100 m W

Freq. [MHz]	Date	Liquid	Liquid Temp. [°C]	SAR Average	Target Value (SPEAG) (mW/g)	* Measured Value (mW/g)	Deviation [%]	Limit [%]
835	Apr.01, 2009	Head	21.3	1 g	9.17	0.938	+ 2.29	± 10
1 900	Apr.02, 2009	Head	21.3	1 g	37.7	3.76	- 0.27	± 10

9. RF CONDUCTED POWER

Power measurements were performed using a base station simulator under digital average power

9.1 Procedures Used to Establish RF Signal for SAR

The handset was placed into a simulated call using a base station simulator in a shielded chamber. Such test signals offer a consistent means for testing SAR and are recommended for evaluation SAR[4] SAR measurements were taken with a fully charged battery. In order to verify that the device was tested and maintained at full power, this was configured with the base station simulator. The SAR measurement Software calculates a reference point at the start and end of the test to check for power drifts. If conducted Power deviations of more than 5 % occurred, the tests were repeated.

9.2 SAR Measurement Conditions for CDMA2000 1x

These procedures were followed according to FCC "SAR Measurement Procedures for 3G Devices", May 2006.

9.2.1 Output Power Verification

See 3GPP2 C.S0011/TIA-98-E as recommended by "SAR Measurement Procedures for 3G Devices", May 2006. Maximum output power is verified on the High, Middle and Low channels according to procedures defined in section 4.4.5.2 of 3GPP2 C.S0011/TIA-98-E. SO55 tests were measured with power control bits in "All Up" condition.

1. If the mobile station supports Reverse TCH RC 1 and Forward TCH RC 1, set up a call using Fundamental Channel Test Mode 1 (RC=1/1) with 9 600 bps data rate only.
2. Under RC1, C.S0011 Table 4.4.5.2-1 (Table 9.1) parameters were applied.
3. If the MS supports the RC 3 Reverse FCH, RC3 Reverse SCH0 and demodulation of RC 3, 4, or 5, set up a call using Supplemental Channel Test Mode 3 (RC 3/3) with 9 600 bps Fundamental Channel and 9 600 bps SCH0 data rate Channel and 9 600 bps SCH0 data rate.
4. Under RC3, C.S0011 Table 4.4.5.2-2(Table 9.2) was applied.
5. FCHs were configured at full rate for maximum SAR with "All Up" power control bits.

Parameters for Max. Power for RC1

Parameter	Units	Value
\bar{I}_{or}	dBm/1.23 MHz	-104
$\frac{Pilot E_c}{I_{or}}$	dB	-7
$\frac{Traffic E_c}{I_{or}}$	dB	-7.4

Table. 9.1

Parameters for Max. Power for RC3

Parameter	Units	Value
\bar{I}_{or}	dBm/1.23 MHz	-86
$\frac{Pilot E_c}{I_{or}}$	dB	-7
$\frac{Traffic E_c}{I_{or}}$	dB	-7.4

Table. 9.2

9.2.2 Head SAR Measurement

SAR for head exposure configurations is measured in RC3 with the DUT configured to transmit at full rate using Loopback Service Option SO55. SAR for RC1 is not required when the maximum average output of each channel is less than ¼ dB higher than that measured in RC3. Otherwise, SAR is measured on the maximum output channel in RC1 using the exposure configuration that results in the highest SAR for that channel in RC3.

9.2.3 Body SAR Measurement

SAR for body exposure configurations is measured in RC3 with the DUT configured to transmit at full rate on FCH with all other code channels disabled using TDSO / SO32. SAR for multiple code channels (FCH + SCHn) is not required when the maximum average output of each RF channel is less than ¼ dB higher than that measured with FCH only. Otherwise, SAR is measured on the maximum output channel (FCH + SCHn) with FCH at full rate and SCH0 enabled at 9 600 bps using the exposure configuration that results in the highest SAR for that channel with FCH only. When multiple code channels are enabled, the DUT output may shift by more than 0.5 dB and lead to higher SAR drifts and SCH dropouts.

Body SAR in RC1 is not required when the maximum average output of each channel is less than ¼ dB higher than that measured in RC3. Otherwise, SAR is measured on the maximum output channel in RC1; with Loopback Service Option SO55, at full rate, using the body exposure configuration that results in the highest SAR for that channel in RC3.

Average Output Power Measurement for FCC ID: PP4ZEPHYR

Band	Channel	SO2	SO2	SO55	SO55	TDSO
		RC1/1	RC3/3	RC1/1	RC3/3	SO32 RC3/3
CDMA	1013	24.65	24.62	24.60	24.70	24.54
	384	24.71	24.75	24.72	24.76	24.67
	777	24.50	24.51	24.52	24.56	24.46
PCS	25	24.70	24.66	24.65	24.68	24.63
	600	24.76	24.90	24.78	24.89	24.75
	1175	24.61	24.51	24.54	24.50	24.49

Average Output Power Measurement for FCC ID: PP4ZEPHYR

Band	Channel	Voice	GPRS Data	
		GSM	GPRS	GPRS
		(dBm)	1 TX Slot(dBm)	2 TX Slot(dBm)
GSM 850	128	32.80	32.81	32.18
	190	32.82	32.82	32.22
	251	32.75	32.75	32.16
GSM 1900	512	29.68	29.63	29.58
	661	29.67	29.60	29.55
	810	29.72	29.66	29.60

10. SAR Evaluation Considerations for Handsets with Multiple Transmitters and Antennas

10.1 SAR Evaluation Considerations

These procedures were followed according to FCC "SAR Evaluation Considerations for Handsets with Multiple Transmitters and Antennas", May 2008. The procedures are applicable to phones with built-in unlicensed transmitters, such as 802.11 a/b/g and Bluetooth devices.

	2.45	5.15 - 5.35	5.47 - 5.85	GHz
P_{Ref}	12	6	5	mW
Device output power should be rounded to the nearest mW to compare with values specified in this table.				

Table. 10.1 Output Power Thresholds for Unlicensed Transmitters

	Individual Transmitter	Simultaneous Transmission
Licensed Transmitters	<u>Routine evaluation required</u>	SAR not required: <u>Unlicensed only</u>
Unlicensed Transmitters	<p>When there is no simultaneous transmission –</p> <ul style="list-style-type: none"> o output ≤ 60/f: SAR not required o output > 60/f: stand-alone SAR required <p>When there is simultaneous transmission – <u>Stand-alone SAR not required when</u></p> <ul style="list-style-type: none"> o output ≤ 2·P_{Ref} and antenna is ≥ 5.0 cm from other antennas o output ≤ P_{Ref} and antenna is ≥ 2.5 cm from other antennas o output ≤ P_{Ref} and antenna is < 2.5 cm from other antennas, each with either output power ≤ P_{Ref} or 1-g SAR < 1.2 W/kg <p><u>Otherwise stand-alone SAR is required</u></p> <p>When stand-alone SAR is required</p> <ul style="list-style-type: none"> o test SAR on highest output channel for each wireless mode and exposure condition o if SAR for highest output channel is > 50% of SAR limit, evaluate all channels according to normal procedures 	<ul style="list-style-type: none"> o when stand-alone 1-g SAR is not required and antenna is ≥ 5 cm from other antennas <p><u>Licensed & Unlicensed</u></p> <ul style="list-style-type: none"> o when the sum of the 1-g SAR is < 1.6 W/kg for all simultaneous transmitting antennas o when SAR to peak location separation ratio of simultaneous transmitting antenna pair is < 0.3 <p>SAR required: <u>Licensed & Unlicensed</u></p> <p>antenna pairs with SAR to peak location separation ratio ≥ 0.3; test is only required for the configuration that results in the highest SAR in stand-alone configuration for each wireless mode and exposure condition</p> <p>Note: simultaneous transmission exposure conditions for head and body can be different for different style phones; therefore, different test requirements may apply</p>
Jaw, Mouth and Nose	<p><u>Flat phantom SAR required</u></p> <ul style="list-style-type: none"> o when measurement is required in tight regions of SAM and it is not feasible or the results can be questionable due to probe tilt, calibration, positioning and orientation issues o position rectangular and clam-shell phones according to flat phantom procedures and conduct SAR measurements for these specific locations 	When simultaneous transmission SAR testing is required, contact the FCC Laboratory for interim guidance.

Table. 10.2 SAR Evaluation Requirements for Cellphones with Multiple Transmitters

FCC ID: PP4ZEPHYR

BT Max. RF output power: 0.14 dBm = 1.03 mW
 Antenna separation distance: 5.5 cm

Because the conducted output power level of the BT transmitter is less than 2·P_{ref}, and the BT antenna is more than 5.0 cm from the Main antenna, neither simultaneous SAR nor stand-alone BT SAR are required for the EUT.

11. SAR TEST DATA SUMMARY

11.1 Measurement Results (CDMA835 Head SAR)

Frequency		Modulation	Conducted Power (dBm)		Battery	Phantom Position	Antenna Type	SAR(mW/g)
MHz	Channel		Begin	End				
824.70	1013 (Low)	CDMA835	24.70	24.67	Standard	Left Ear	Intenna	0.639
836.52	384 (Mid)	CDMA835	24.76	24.65	Standard	Left Ear	Intenna	0.761
848.31	777 (High)	CDMA835	24.56	24.59	Standard	Left Ear	Intenna	0.984
824.70	1013 (Low)	CDMA835	24.70	24.65	Standard	Right Ear	Intenna	0.881
836.52	384 (Mid)	CDMA835	24.76	24.72	Standard	Right Ear	Intenna	0.929
848.31	777 (High)	CDMA835	24.56	24.44	Standard	Right Ear	Intenna	1.02
848.31	777 (High)	CDMA835	24.56	24.45	Extended	Right Ear	Intenna	1.02
ANSI/ IEEE C95.1 2005 – Safety Limit						Head		
Spatial Peak						1.6 W/kg (mW/g)		
Uncontrolled Exposure/ General Population						<small>Averaged over 1 gram</small>		

NOTES:

- The test data reported are the worst-case SAR value with the antenna-head position set in a typical configuration. Test procedures used are according to FCC/OET Bulletin 65, Supplement C [July 2001].
- All modes of operation were investigated and the worst-case are reported.
- Measured Depth of Simulating Tissue is 15.0 cm ± 0.2 cm.
- Tissue parameters and temperatures are listed on the SAR plot.
- Battery Type Standard Extended Slim
Batteries are fully charged for all readings.
- Test Signal Call Mode Manual Test cord Base Station Simulator
- Head SAR was tested under RC3/SO55.
- Highest SAR value measurement in this band repeated with *Extended battery.

11.2 Measurement Results (CDMA835 Head SAR Tilt)

Frequency		Modulation	Conducted Power (dBm)		Battery	Phantom Position	Antenna Type	SAR(mW/g)
MHz	Channel		Begin	End				
836.52	384 (Mid)	CDMA835	24.76	24.75	Standard	Left Tilt 15°	Intenna	0.208
836.52	384 (Mid)	CDMA835	24.76	24.62	Standard	Right Tilt 15°	Intenna	0.236
ANSI/ IEEE C95.1 2005 – Safety Limit						Head		
Spatial Peak						1.6 W/kg (mW/g)		
Uncontrolled Exposure/ General Population						Averaged over 1 gram		

NOTES:

- 1 The test data reported are the worst-case SAR value with the antenna-head position set in a typical configuration. Test procedures used are according to FCC/OET Bulletin 65, Supplement C [July 2001].
- 2 All modes of operation were investigated and the worst-case are reported.
- 3 Measured Depth of Simulating Tissue is 15.0 cm ± 0.2 cm.
- 4 Tissue parameters and temperatures are listed on the SAR plot.
- 5 Battery Type Standard Extended Slim
Batteries are fully charged for all readings.
- 6 Test Signal Call Mode Manual Test cord Base Station Simulator
- 7 Head SAR was tested under RC3/SO55.
- 8 Justification for reduced test configurations: per FCC/OET Supplement C (July, 2001), if the SAR measured at the middle channel for each test configuration (Left, right, cheek/touch, tilt/ear, extended and retracted) is at least 3.0 dB lower than the SAR limit, testing at the high and low channels is optional for such test configuration(s).

11.3 Measurement Results (PCS1900 Head SAR Touch)

Frequency		Modulation	Conducted Power (dBm)		Battery	Phantom Position	Antenna Type	SAR(mW/g)
MHz	Channel		Begin	End				
1 851.25	25 (Low)	PCS1900	24.68	24.55	Standard	Left Ear	Intenna	0.549
1 880.00	600 (Mid)	PCS1900	24.89	24.79	Standard	Left Ear	Intenna	0.778
1 908.75	1175 (High)	PCS1900	24.50	24.57	Standard	Left Ear	Intenna	0.752
1 851.25	25 (Low)	PCS1900	24.68	24.64	Standard	Right Ear	Intenna	0.948
1 880.00	600 (Mid)	PCS1900	24.89	24.83	Standard	Right Ear	Intenna	1.29
1 908.75	1175 (High)	PCS1900	24.50	24.51	Standard	Right Ear	Intenna	1.06
1 880.00	600 (Mid)	PCS1900	24.89	24.87	Extended	Right Ear	Intenna	1.16
ANSI/ IEEE C95.1 2005 – Safety Limit						Head		
Spatial Peak						1.6 W/kg (mW/g)		
Uncontrolled Exposure/ General Population						<small>Averaged over 1 gram</small>		

NOTES:

- 1 The test data reported are the worst-case SAR value with the antenna-head position set in a typical configuration. Test procedures used are according to FCC/OET Bulletin 65, Supplement C [July 2001].
- 2 All modes of operation were investigated and the worst-case are reported.
- 3 Measured Depth of Simulating Tissue is 15.0 cm ± 0.2 cm.
- 4 Tissue parameters and temperatures are listed on the SAR plot.
- 5 Battery Type Standard Extended Slim
 Batteries are fully charged for all readings.
- 6 Test Signal Call Mode Manual Test cord Base Station Simulator
- 7 Head SAR was tested under RC3/SO55.
- 8 Highest SAR value measurement in this band repeated with *Extended battery.

11.4 Measurement Results (PCS1900 Head SAR Tilt)

Frequency		Modulation	Conducted Power (dBm)		Battery	Phantom Position	Antenna Type	SAR(mW/g)
MHz	Channel		Begin	End				
1 880.00	600 (Mid)	PCS1900	24.89	24.78	Standard	Left Tilt 15°	Intenna	0.169
1 880.00	600 (Mid)	PCS1900	24.89	24.72	Standard	Right Tilt 15°	Intenna	0.206
ANSI/ IEEE C95.1 2005 – Safety Limit						Head		
Spatial Peak						1.6 W/kg (mW/g)		
Uncontrolled Exposure/ General Population						<small>Averaged over 1 gram</small>		

NOTES:

- 1 The test data reported are the worst-case SAR value with the antenna-head position set in a typical configuration. Test procedures used are according to FCC/OET Bulletin 65, Supplement C [July 2001].
- 2 All modes of operation were investigated and the worst-case are reported.
- 3 Measured Depth of Simulating Tissue is 15.0 cm ± 0.2 cm.
- 4 Tissue parameters and temperatures are listed on the SAR plot.
- 5 Battery Type Standard Extended Slim
 Batteries are fully charged for all readings.
- 6 Test Signal Call Mode Manual Test cord Base Station Simulator
- 7 Head SAR was tested under RC3/SO55.
- 8 Justification for reduced test configurations: per FCC/OET Supplement C (July, 2001), if the SAR measured at the middle channel for each test configuration (Left, right, cheek/touch, tilt/ear, extended and retracted) is at least 3.0 dB lower than the SAR limit, testing at the high and low channels is optional for such test configuration(s).

11.5 Measurement Results (GSM850 Head SAR Touch)

Frequency		Modulation	Conducted Power (dBm)		Battery	Phantom Position	Antenna Type	SAR(mW/g)
MHz	Channel		Begin	End				
824.2	128 (Low)	GSM850	32.80	32.78	Standard	Left Ear	Intenna	0.584
836.6	190 (Mid)	GSM850	32.82	32.77	Standard	Left Ear	Intenna	0.856
848.8	251 (High)	GSM850	32.75	32.70	Standard	Left Ear	Intenna	0.918
824.2	128 (Low)	GSM850	32.80	32.70	Standard	Right Ear	Intenna	0.696
836.6	190 (Mid)	GSM850	32.82	32.84	Standard	Right Ear	Intenna	1.01
848.8	251 (High)	GSM850	32.75	32.71	Standard	Right Ear	Intenna	1.13
848.8	251 (High)	GSM850	32.75	32.76	Extended	Right Ear	Intenna	1.13
ANSI/ IEEE C95.1 2005 – Safety Limit						Head		
Spatial Peak						1.6 W/kg (mW/g)		
Uncontrolled Exposure/ General Population						<small>Averaged over 1 gram</small>		

NOTES:

- 1 The test data reported are the worst-case SAR value with the antenna-head position set in a typical configuration. Test procedures used are according to FCC/OET Bulletin 65, Supplement C [July 2001].
- 2 All modes of operation were investigated and the worst-case are reported.
- 3 Measured Depth of Simulating Tissue is 15.0 cm ± 0.2 cm.
- 4 Tissue parameters and temperatures are listed on the SAR plot.
- 5 Battery Type Standard Extended Slim
Batteries are fully charged for all readings.
- 6 Test Signal Call Mode Manual Test cord Base Station Simulator
- 7 Highest SAR value measurement in this band repeated with *Extended battery.

11.6 Measurement Results (GSM850 Head SAR Tilt)

Frequency		Modulation	Conducted Power (dBm)		Battery	Phantom Position	Antenna Type	SAR(mW/g)
MHz	Channel		Begin	End				
836.6	190 (Mid)	GSM850	32.82	32.92	Standard	Left Tilt 15°	Intenna	0.243
836.6	190 (Mid)	GSM850	32.82	32.92	Standard	Right Tilt 15°	Intenna	0.312
ANSI/ IEEE C95.1 2005 – Safety Limit						Head		
Spatial Peak						1.6 W/kg (mW/g)		
Uncontrolled Exposure/ General Population						<small>Averaged over 1 gram</small>		

NOTES:

- 1 The test data reported are the worst-case SAR value with the antenna-head position set in a typical configuration. Test procedures used are according to FCC/OET Bulletin 65, Supplement C [July 2001].
- 2 All modes of operation were investigated and the worst-case are reported.
- 3 Measured Depth of Simulating Tissue is 15.0 cm ± 0.2 cm.
- 4 Tissue parameters and temperatures are listed on the SAR plot.
- 5 Battery Type Standard Extended Slim
Batteries are fully charged for all readings.
- 6 Test Signal Call Mode Manual Test cord Base Station Simulator
- 7 Justification for reduced test configurations: per FCC/OET Supplement C (July, 2001), if the SAR measured at the middle channel for each test configuration (Left, right, cheek/touch, tilt/ear, extended and retracted) is at least 3.0 dB lower than the SAR limit, testing at the high and low channels is optional for such test configuration(s).

11.7 Measurement Results (GSM1900 Head SAR Touch)

Frequency		Modulation	Conducted Power (dBm)		Battery	Phantom Position	Antenna Type	SAR(mW/g)
MHz	Channel		Begin	End				
1 880.0	661 (Mid)	GSM1900	29.67	29.60	Standard	Left Ear	Intenna	0.263
1 880.0	661 (Mid)	GSM1900	29.67	29.47	Standard	Right Ear	Intenna	0.412
1 880.0	661 (Mid)	GSM1900	29.69	29.74	Standard	Right Ear	Intenna	0.410
ANSI/ IEEE C95.1 2005 – Safety Limit						Head		
Spatial Peak						1.6 W/kg (mW/g)		
Uncontrolled Exposure/ General Population						<small>Averaged over 1 gram</small>		

NOTES:

- 1 The test data reported are the worst-case SAR value with the antenna-head position set in a typical configuration. Test procedures used are according to FCC/OET Bulletin 65, Supplement C [July 2001].
- 2 All modes of operation were investigated and the worst-case are reported.
- 3 Measured Depth of Simulating Tissue is 15.0 cm ± 0.2 cm.
- 4 Tissue parameters and temperatures are listed on the SAR plot.
- 5 Battery Type Standard Extended Slim
Batteries are fully charged for all readings.
- 6 Test Signal Call Mode Manual Test cord Base Station Simulator
- 7 Justification for reduced test configurations: per FCC/OET Supplement C (July, 2001), if the SAR measured at the middle channel for each test configuration (Left, right, cheek/touch, tilt/ear, extended and retracted) is at least 3.0 dB lower than the SAR limit, testing at the high and low channels is optional for such test configuration(s).
- 8 Highest SAR value measurement in this band repeated with *Extended battery.

11.8 Measurement Results (GSM1900 Head SAR Tilt)

Frequency		Modulation	Conducted Power (dBm)		Battery	Phantom Position	Antenna Type	SAR(mW/g)
MHz	Channel		Begin	End				
1 880.0	661 (Mid)	GSM1900	29.67	29.56	Standard	Left Tilt 15°	Intenna	0.037
1 880.0	661 (Mid)	GSM1900	29.67	29.65	Standard	Right Tilt 15°	Intenna	0.074
ANSI/ IEEE C95.1 2005 – Safety Limit						Head		
Spatial Peak						1.6 W/kg (mW/g)		
Uncontrolled Exposure/ General Population						<small>Averaged over 1 gram</small>		

NOTES:

- 1 The test data reported are the worst-case SAR value with the antenna-head position set in a typical configuration. Test procedures used are according to FCC/OET Bulletin 65, Supplement C [July 2001].
- 2 All modes of operation were investigated and the worst-case are reported.
- 3 Measured Depth of Simulating Tissue is 15.0 cm ± 0.2 cm.
- 4 Tissue parameters and temperatures are listed on the SAR plot.
- 5 Battery Type Standard Extended Slim
Batteries are fully charged for all readings.
- 6 Test Signal Call Mode Manual Test cord Base Station Simulator
- 7 Justification for reduced test configurations: per FCC/OET Supplement C (July, 2001), if the SAR measured at the middle channel for each test configuration (Left, right, cheek/touch, tilt/ear, extended and retracted) is at least 3.0 dB lower than the SAR limit, testing at the high and low channels is optional for such test configuration(s).

11.9 Measurement Results (CDMA835 Body SAR)

Frequency		Modulation	Conducted Power (dBm)		Configuration	Phantom Position	Antenna Type	SAR(mW/g)
MHz	Channel		Begin	End				
824.70	1013 (Low)	CDMA835	24.54	24.48	Rear	with Holster	Intenna	1.33
836.52	384 (Mid)	CDMA835	24.67	24.56	Rear	with Holster	Intenna	1.25
848.31	777 (High)	CDMA835	24.46	24.38	Rear	with Holster	Intenna	1.08
824.70	1013 (Low)	CDMA835	24.54	24.60	Front	2.0 cm without Holster	Intenna	0.549
824.70	1013 (Low)	CDMA835	24.54	24.45	Rear	with Holster	Intenna	* 1.32
ANSI/ IEEE C95.1 2005 – Safety Limit						Body		
Spatial Peak						1.6 W/kg (mW/g)		
Uncontrolled Exposure/ General Population						<small>Averaged over 1 gram</small>		

NOTES:

- 1 The test data reported are the worst-case SAR value with the antenna-head position set in a typical configuration. Test procedures used are according to FCC/OET Bulletin 65, Supplement C [July 2001].
- 2 All modes of operation were investigated and the worst-case are reported.
- 3 Measured Depth of Simulating Tissue is 15.0 cm ± 0.2 cm.
- 4 Tissue parameters and temperatures are listed on the SAR plot.
- 5 Battery Type Standard Extended Slim
 Batteries are fully charged for all readings.
- 6 Test Signal Call Mode Manual Test cord Base Station Simulator
- 7 Both side of the phone were tested and the worst-case side is reported.
- 8 HEADSET was connected.
- 9 Test Configuration With Holster Without Holster
- 10 Body SAR was tested under RC3/SO32.
- 11 Highest SAR value measurement in this band repeated with *Extended battery.

11.10 Measurement Results (PCS1900 Body SAR)

Frequency		Modulation	Conducted Power (dBm)		Configuration	Phantom Position	Antenna Type	SAR(mW/g)
MHz	Channel		Begin	End				
1 851.25	25 (Low)	PCS1900	24.63	24.60	Rear	with Holster	Intenna	0.893
1 880.00	600 (Mid)	PCS1900	24.75	24.68	Rear	with Holster	Intenna	1
1 908.75	1175 (High)	PCS1900	24.49	24.32	Rear	with Holster	Intenna	0.856
1 880.00	600 (Mid)	PCS1900	24.75	24.58	Front	2.0 cm without Holster	Intenna	1.16
1 880.00	600 (Mid)	PCS1900	24.75	24.56	Rear	with Holster	Intenna	*0.757
ANSI/ IEEE C95.1 2005 – Safety Limit Spatial Peak Uncontrolled Exposure/ General Population						Body 1.6 W/kg (mW/g) Averaged over 1 gram		

NOTES:

- 1 The test data reported are the worst-case SAR value with the antenna-head position set in a typical configuration. Test procedures used are according to FCC/OET Bulletin 65, Supplement C [July 2001].
- 2 All modes of operation were investigated and the worst-case are reported.
- 3 Measured Depth of Simulating Tissue is 15.0 cm ± 0.2 cm.
- 4 Tissue parameters and temperatures are listed on the SAR plot.
- 5 Battery Type Standard Extended Slim
Batteries are fully charged for all readings.
- 6 Test Signal Call Mode Manual Test cord Base Station Simulator
- 7 Both side of the phone were tested and the worst-case side is reported.
- 8 HEADSET was connected.
- 9 Test Configuration With Holster Without Holster
- 10 Body SAR was tested under RC3/SO32.
- 11 Highest SAR value measurement in this band repeated with *Extended battery.

11.11 Measurement Results (GSM850 Body SAR)

Frequency		Modulation	Conducted Power (dBm)		Configuration	Phantom Position	Antenna Type	SAR(mW/g)
MHz	Channel		Begin	End				
824.2	128 (Low)	GPRS 1Tx	32.81	32.82	Rear	with Holster	Intenna	0.710
824.2	128 (Low)	GPRS 2Tx	32.18	32.15	Rear	with Holster	Intenna	1.27
836.6	190 (Mid)	GPRS 2Tx	32.22	32.15	Rear	with Holster	Intenna	1.04
848.8	251 (High)	GPRS 2Tx	32.16	32.13	Rear	with Holster	Intenna	0.946
824.2	128 (Low)	GPRS 2Tx	32.18	32.13	Front	2.0 cm without Holster	Intenna	0.611
824.2	128 (Low)	GSM850	32.80	32.73	Rear	with Holster	Intenna	0.725
824.2	128 (Low)	GPRS 2Tx	32.19	32.17	Rear	with Holster	Intenna	* 1.27
ANSI/ IEEE C95.1 2005 – Safety Limit						Body		
Spatial Peak						1.6 W/kg (mW/g)		
Uncontrolled Exposure/ General Population						<small>Averaged over 1 gram</small>		

NOTES:

- 1 The test data reported are the worst-case SAR value with the antenna-head position set in a typical configuration. Test procedures used are according to FCC/OET Bulletin 65, Supplement C [July 2001].
- 2 All modes of operation were investigated and the worst-case are reported.
- 3 Measured Depth of Simulating Tissue is 15.0 cm ± 0.2 cm.
- 4 Tissue parameters and temperatures are listed on the SAR plot.
- 5 Battery Type Standard Extended Slim
 Batteries are fully charged for all readings.
- 6 Test Signal Call Mode Manual Test cord Base Station Simulator
- 7 Both side of the phone were tested and the worst-case side is reported.
- 8 HEADSET was connected.
- 9 Test Configuration With Holster Without Holster
- 10 Highest SAR value measurement in this band repeated with *Extended battery.

11.12 Measurement Results (GSM1900 Body SAR)

Frequency		Modulation	Conducted Power (dBm)		Configuration	Phantom Position	Antenna Type	SAR(mW/g)
MHz	Channel		Begin	End				
1 880.0	661 (Mid)	GPRS 1Tx	29.60	29.58	Rear	with Holster	Intenna	0.311
1 880.0	661 (Mid)	GPRS 2Tx	29.55	29.55	Rear	with Holster	Intenna	0.605
1 880.0	661 (Mid)	GPRS 2Tx	29.55	29.49	Front	2.0 cm without Holster	Intenna	0.152
1 880.0	661 (Mid)	GSM1900	29.67	29.71	Rear	with Holster	Intenna	0.328
1 880.0	661 (Mid)	GPRS 2Tx	29.56	29.39	Rear	with Holster	Intenna	0.410
ANSI/ IEEE C95.1 2005 – Safety Limit						Body		
Spatial Peak						1.6 W/kg (mW/g)		
Uncontrolled Exposure/ General Population						<small>Averaged over 1 gram</small>		

NOTES:

- The test data reported are the worst-case SAR value with the antenna-head position set in a typical configuration. Test procedures used are according to FCC/OET Bulletin 65, Supplement C [July 2001].
- All modes of operation were investigated and the worst-case are reported.
- Measured Depth of Simulating Tissue is 15.0 cm ± 0.2 cm.
- Tissue parameters and temperatures are listed on the SAR plot.
- Battery Type Standard Extended Slim
Batteries are fully charged for all readings.
- Test Signal Call Mode Manual Test cord Base Station Simulator
- Both side of the phone were tested and the worst-case side is reported.
- HEADSET was connected.
- Test Configuration With Holster Without Holster
- Highest SAR value measurement in this band repeated with *Extended battery.
- Justification for reduced test configurations: per FCC/OET Supplement C (July, 2001), if the SAR measured at the middle channel for each test configuration (Left, right, cheek/touch, tilt/ear, extended and retracted) is at least 3.0 dB lower than the SAR limit, testing at the high and low channels is optional for such test configuration(s).

12. CONCLUSION

The SAR measurement indicates that the EUT complies with the RF radiation exposure limits of the ANSI/IEEE C95.1 2005.

These measurements are taken to simulate the RF effects exposure under worst-case conditions. Precise laboratory measures were taken to assure repeatability of the tests.

13. REFERENCES

- [1] Federal Communications Commission, OET Bulletin 65 (Edition 97-01), Supplement C (Edition 01-01), Evaluating Compliance with FCC Guidelines for Human Exposure to Radio frequency Electromagnetic Fields, July 2001.
- [2] IEEE Standards Coordinating Committee 34 – IEEE Std. 1528-2003, IEEE Recommended Practice for Determining the Peak Spatial-Average Specific Absorption Rate (SAR) in the Human Body from Wireless Communications Devices.
- [3] Federal Communications Commission, ET Docket 93-62, Guidelines for Evaluating the Environmental Effects of Radio frequency Radiation, Aug. 1996.
- [4] ANSI/IEEE C95.1 – 1991, American National Standard safety levels with respect to human exposure to radio frequency electromagnetic fields, 300 kHz to 100 GHz, New York: IEEE, Aug. 1992
- [5] ANSI/IEEE C95.3 – 1991, IEEE Recommended Practice for the Measurement of Potentially Hazardous Electromagnetic Fields – RF and Microwave, New York: IEEE, 1992.
- [6] NCRP, National Council on Radiation Protection and Measurements, Biological Effects and Exposure Criteria for Radio Frequency Electromagnetic Fields, NCRP Report No. 86, 1986. Reprinted Feb. 1995.
- [7] T. Schmid, O. Egger, N. Kuster, Automated E-field scanning system for dosimetric assessments, IEEE Transaction on Microwave Theory and Techniques, vol. 44, Jan. 1996, pp. 105-113.
- [8] K. Pokovic, T. Schmid, N. Kuster, Robust setup for precise calibration of E-field probes in tissue simulating liquids at mobile communications frequencies, ICECOM97, Oct. 1997, pp. 120-124.
- [9] K. Pokovic, T. Schmid, and N. Kuster, E-field Probe with improved isotropy in brain simulating liquids, Proceedings of the ELMAR, Zadar, Croatia, June 23-25, 1996, pp. 172-175.
- [10] Schmid & Partner Engineering AG, Application Note: Data Storage and Evaluation, June 1998, p2.
- [11] V. Hombach, K. Meier, M. Burkhardt, E. Kuhn, N. Kuster, The Dependence of EM Energy Absorption upon Human Head Modeling at 900 MHz, IEEE Transaction on Microwave Theory and Techniques, vol. 44 no. 10, Oct. 1996, pp. 1865-1873.
- [12] N. Kuster and Q. Balzano, Energy absorption mechanism by biological bodies in the near field of dipole antennas above 300 MHz, IEEE Transaction on Vehicular Technology, vol. 41, no. 1, Feb. 1992, pp. 17-23.
- [13] G. Hartsgrove, A. Kraszewski, A. Surowiec, Simulated Biological Materials for Electromagnetic Radiation Absorption Studies, University of Ottawa, Bioelectromagnetics, Canada: 1987, pp. 29-36.
- [14] Q. Balzano, O. Garay, T. Manning Jr., Electromagnetic Energy Exposure of Simulated Users of Portable Cellular Telephones, IEEE Transactions on Vehicular Technology, vol. 44, no.3, Aug. 1995.
- [15] W. Gander, Computer mathematic, Birkhaeuser, Basel, 1992.
- [16] W.H. Press, S.A. Teukolsky, W.T. Vetterling, and B.P. Flannery, Numerical Recipes in C, The Art of Scientific Computing, Second edition, Cambridge University Press, 1992.
- [17] Federal Communications Commission, OET Bulletin 65, Evaluating Compliance with FCC Guidelines for Human Exposure to Radiofrequency Electromagnetic Fields. Supplement C, Dec. 1997.
- [18] N. Kuster, R. Kastle, T. Schmid, Dosimetric evaluation of mobile communications equipment with known precision, IEEE Transaction on Communications, vol. E80-B, no. 5, May 1997, pp. 645-652.
- [19] CENELEC CLC/SC111B, European Prestandard (prENV 50166-2), Human Exposure to Electromagnetic Fields High-frequency: 10 kHz-300 GHz, Jan. 1995.
- [20] Prof. Dr. Niels Kuster, ETH, Eidgenössische Technische Hochschule Zürich, Dosimetric Evaluation of the Cellular Phone.
- [21] FCC SAR Considerations for Cell Phones with Multiple Transmitters #648474.

Attachment 1. – SAR Test Plots

Test Laboratory: HCT CO., LTD
EUT Type: Dual-Band Dual-Mode CDMA/GSM Phone with Bluetooth
GPRS Class 10 and GPRS mode class B (GPRS and GSM, but not simultaneously)
Liquid Temperature: 21.3 °C
Ambient Temperature: 21.5 °C
Test Date: Apr.01, 2009

DUT: WP8990; Type: Folder; Serial: #1

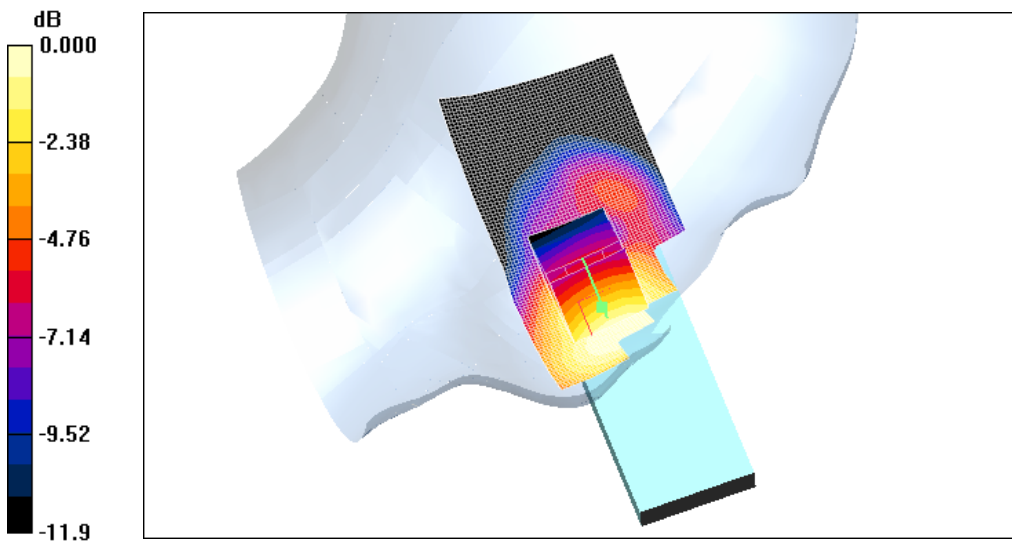
Communication System: CDMA 835MHz FCC; Frequency: 824.7 MHz; Duty Cycle: 1;1
Medium parameters used: $f = 825$ MHz; $\sigma = 0.875$ mho/m; $\epsilon_r = 42.7$; $\rho = 1000$ kg/m³
Phantom section: Left Section ; Measurement SW: DASY4, V4.7 Build 80; Postprocessing SW: SEMCAD, V1.8 Build 176

DASY4 Configuration:

- Probe: ET3DV6 - SN1609; ConvF(6.25, 6.25, 6.25); Calibrated: 2009-03-17
- Sensor-Surface: 4mm (Mechanical Surface Detection)
- Electronics: DAE4 Sn869; Calibrated: 2008-09-03
- Phantom: 835/900 Phantom ; Type: SAM

Left touch 1013/Area Scan (51x121x1): Measurement grid: dx=15mm, dy=15mm
Maximum value of SAR (interpolated) = 0.712 mW/g

Left touch 1013/Zoom Scan (5x5x7)/Cube 0: Measurement grid: dx=8mm, dy=8mm, dz=5mm
Reference Value = 14.7 V/m; Power Drift = -0.032 dB
Peak SAR (extrapolated) = 0.945 W/kg
SAR(1 g) = 0.639 mW/g; SAR(10 g) = 0.476 mW/g
Maximum value of SAR (measured) = 0.676 mW/g



0 dB = 0.676mW/g

Test Laboratory: HCT CO., LTD
EUT Type: Dual-Band Dual-Mode CDMA/GSM Phone with Bluetooth
GPRS Class 10 and GPRS mode class B (GPRS and GSM, but not simultaneously)
Liquid Temperature: 21.3 °C
Ambient Temperature: 21.5 °C
Test Date: Apr.01, 2009

DUT: WP8990; Type: Folder; Serial: #1

Communication System: CDMA 835MHz FCC; Frequency: 836.52 MHz; Duty Cycle: 1:1
Medium parameters used (interpolated): $f = 836.52$ MHz; $\sigma = 0.887$ mho/m; $\epsilon_r = 42.5$; $\rho = 1000$ kg/m³
Phantom section: Left Section ; Measurement SW: DASY4, V4.7 Build 80; Postprocessing SW: SEMCAD, V1.8 Build 176

DASY4 Configuration:

- Probe: ET3DV6 - SN1609; ConvF(6.25, 6.25, 6.25); Calibrated: 2009-03-17
- Sensor-Surface: 4mm (Mechanical Surface Detection)
- Electronics: DAE4 Sn869; Calibrated: 2008-09-03
- Phantom: 835/900 Phantom ; Type: SAM

Left touch 384/Area Scan (51x121x1): Measurement grid: dx=15mm, dy=15mm

[Info: Interpolated medium parameters used for SAR evaluation.](#)

Maximum value of SAR (interpolated) = 0.841 mW/g

Left touch 384/Zoom Scan (5x5x7)/Cube 0: Measurement grid: dx=8mm, dy=8mm, dz=5mm

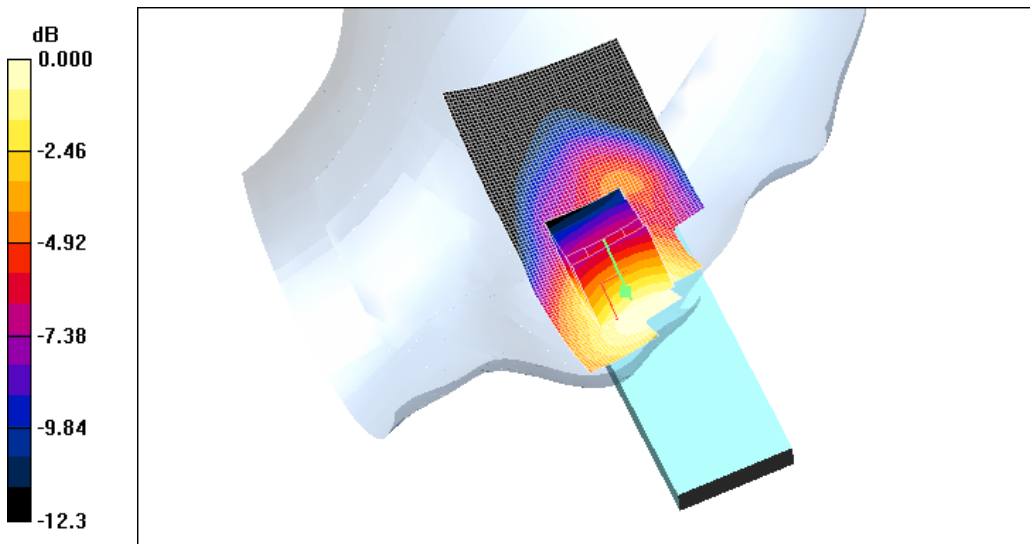
Reference Value = 14.5 V/m; Power Drift = 0.108 dB

Peak SAR (extrapolated) = 1.06 W/kg

SAR(1 g) = 0.761 mW/g; SAR(10 g) = 0.562 mW/g

[Info: Interpolated medium parameters used for SAR evaluation.](#)

Maximum value of SAR (measured) = 0.803 mW/g



0 dB = 0.803mW/g

Test Laboratory: HCT CO., LTD
EUT Type: Dual-Band Dual-Mode CDMA/GSM Phone with Bluetooth
GPRS Class 10 and GPRS mode class B (GPRS and GSM, but not simultaneously)
Liquid Temperature: 21.3 °C
Ambient Temperature: 21.5 °C
Test Date: Apr.01, 2009

DUT: WP8990; Type: Folder; Serial: #1

Communication System: CDMA 835MHz FCC; Frequency: 848.31 MHz; Duty Cycle: 1:1
Medium parameters used (interpolated): $f = 848.31$ MHz; $\sigma = 0.9$ mho/m; $\epsilon_r = 42.2$; $\rho = 1000$ kg/m³
Phantom section: Left Section ; Measurement SW: DASY4, V4.7 Build 80; Postprocessing SW: SEMCAD, V1.8 Build 176

DASY4 Configuration:

- Probe: ET3DV6 - SN1609; ConvF(6.25, 6.25, 6.25); Calibrated: 2009-03-17
- Sensor-Surface: 4mm (Mechanical Surface Detection)
- Electronics: DAE4 Sn869; Calibrated: 2008-09-03
- Phantom: 835/900 Phantom ; Type: SAM

Left touch 777/Area Scan (51x121x1): Measurement grid: dx=15mm, dy=15mm

[Info: Interpolated medium parameters used for SAR evaluation.](#)

Maximum value of SAR (interpolated) = 1.05 mW/g

Left touch 777/Zoom Scan (5x5x7)/Cube 0: Measurement grid: dx=8mm, dy=8mm, dz=5mm

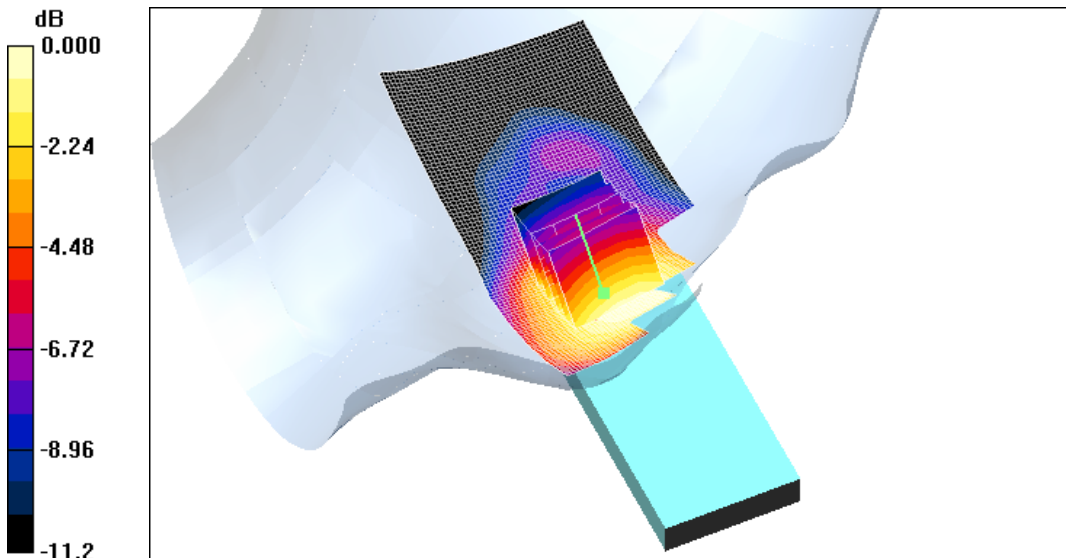
Reference Value = 24.0 V/m; Power Drift = 0.029 dB

Peak SAR (extrapolated) = 1.25 W/kg

SAR(1 g) = 0.984 mW/g; SAR(10 g) = 0.728 mW/g

[Info: Interpolated medium parameters used for SAR evaluation.](#)

Maximum value of SAR (measured) = 1.04 mW/g



Test Laboratory: HCT CO., LTD
EUT Type: Dual-Band Dual-Mode CDMA/GSM Phone with Bluetooth
GPRS Class 10 and GPRS mode class B (GPRS and GSM, but not simultaneously)
Liquid Temperature: 21.3 °C
Ambient Temperature: 21.5 °C
Test Date: Apr.01, 2009

DUT: WP8990; Type: Folder; Serial: #1

Communication System: CDMA 835MHz FCC; Frequency: 824.7 MHz; Duty Cycle: 1:1
Medium parameters used: $f = 825$ MHz; $\sigma = 0.875$ mho/m; $\epsilon_r = 42.7$; $\rho = 1000$ kg/m³
Phantom section: Right Section ; Measurement SW: DASY4, V4.7 Build 80; Postprocessing SW: SEMCAD, V1.8 Build 176

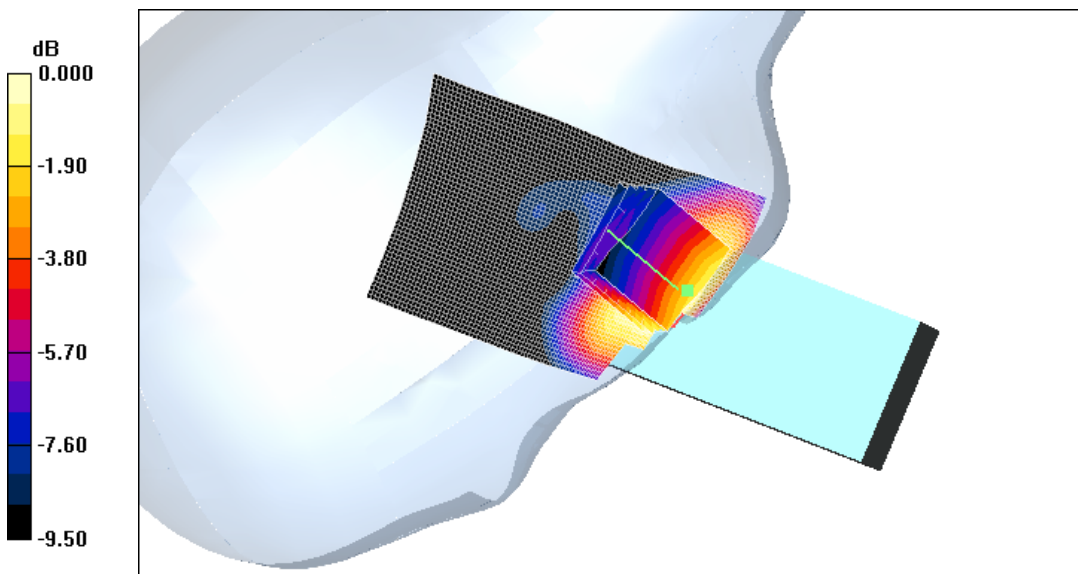
DASY4 Configuration:

- Probe: ET3DV6 - SN1609; ConvF(6.25, 6.25, 6.25); Calibrated: 2009-03-17
- Sensor-Surface: 4mm (Mechanical Surface Detection)
- Electronics: DAE4 Sn869; Calibrated: 2008-09-03
- Phantom: 835/900 Phantom ; Type: SAM

Right touch 1013/Area Scan (51x111x1): Measurement grid: dx=15mm, dy=15mm
Maximum value of SAR (interpolated) = 0.940 mW/g

Right touch 1013/Zoom Scan (5x5x7)/Cube 0: Measurement grid: dx=8mm, dy=8mm, dz=5mm
Reference Value = 23.7 V/m; Power Drift = -0.052 dB
Peak SAR (extrapolated) = 1.13 W/kg
SAR(1 g) = 0.881 mW/g; SAR(10 g) = 0.654 mW/g

Maximum value of SAR (measured) = 0.927 mW/g



Test Laboratory: HCT CO., LTD
EUT Type: Dual-Band Dual-Mode CDMA/GSM Phone with Bluetooth
GPRS Class 10 and GPRS mode class B (GPRS and GSM, but not simultaneously)
Liquid Temperature: 21.3 °C
Ambient Temperature: 21.5 °C
Test Date: Apr.01, 2009

DUT: WP8990; Type: Folder; Serial: #1

Communication System: CDMA 835MHz FCC; Frequency: 836.52 MHz; Duty Cycle: 1:1
Medium parameters used (interpolated): $f = 836.52$ MHz; $\sigma = 0.887$ mho/m; $\epsilon_r = 42.5$; $\rho = 1000$ kg/m³
Phantom section: Right Section ; Measurement SW: DASY4, V4.7 Build 80; Postprocessing SW: SEMCAD, V1.8 Build 176

DASY4 Configuration:

- Probe: ET3DV6 - SN1609; ConvF(6.25, 6.25, 6.25); Calibrated: 2009-03-17
- Sensor-Surface: 4mm (Mechanical Surface Detection)
- Electronics: DAE4 Sn869; Calibrated: 2008-09-03
- Phantom: 835/900 Phantom ; Type: SAM

Right touch 384/Area Scan (51x121x1): Measurement grid: dx=15mm, dy=15mm

[Info: Interpolated medium parameters used for SAR evaluation.](#)

Maximum value of SAR (interpolated) = 1.00 mW/g

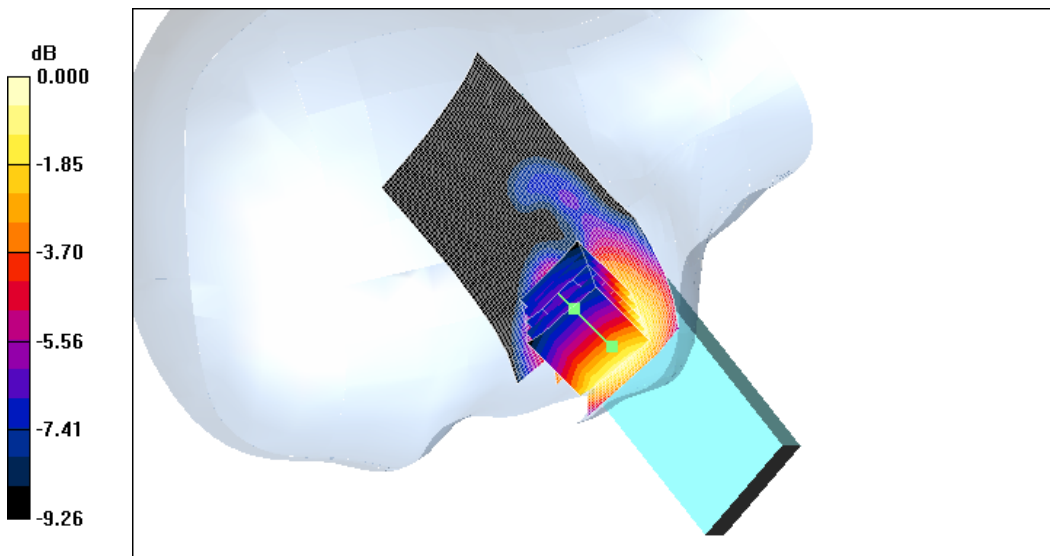
Right touch 384/Zoom Scan (5x5x7)/Cube 0: Measurement grid: dx=8mm, dy=8mm, dz=5mm

Reference Value = 23.1 V/m; Power Drift = -0.039 dB

Peak SAR (extrapolated) = 1.20 W/kg

SAR(1 g) = 0.929 mW/g; SAR(10 g) = 0.680 mW/g

Maximum value of SAR (measured) = 0.982 mW/g



Test Laboratory: HCT CO., LTD
EUT Type: Dual-Band Dual-Mode CDMA/GSM Phone with Bluetooth
GPRS Class 10 and GPRS mode class B (GPRS and GSM, but not simultaneously)
Liquid Temperature: 21.3 °C
Ambient Temperature: 21.5 °C
Test Date: Apr.01, 2009

DUT: WP8990; Type: Folder; Serial: #1

Communication System: CDMA 835MHz FCC; Frequency: 848.31 MHz; Duty Cycle: 1:1
Medium parameters used (interpolated): $f = 848.31$ MHz; $\sigma = 0.9$ mho/m; $\epsilon_r = 42.2$; $\rho = 1000$ kg/m³
Phantom section: Right Section ; Measurement SW: DASY4, V4.7 Build 80; Postprocessing SW: SEMCAD, V1.8 Build 176

DASY4 Configuration:

- Probe: ET3DV6 - SN1609; ConvF(6.25, 6.25, 6.25); Calibrated: 2009-03-17
- Sensor-Surface: 4mm (Mechanical Surface Detection)
- Electronics: DAE4 Sn869; Calibrated: 2008-09-03
- Phantom: 835/900 Phantom ; Type: SAM

Right touch 777/Area Scan (51x111x1): Measurement grid: dx=15mm, dy=15mm

[Info: Interpolated medium parameters used for SAR evaluation.](#)

Maximum value of SAR (interpolated) = 1.08 mW/g

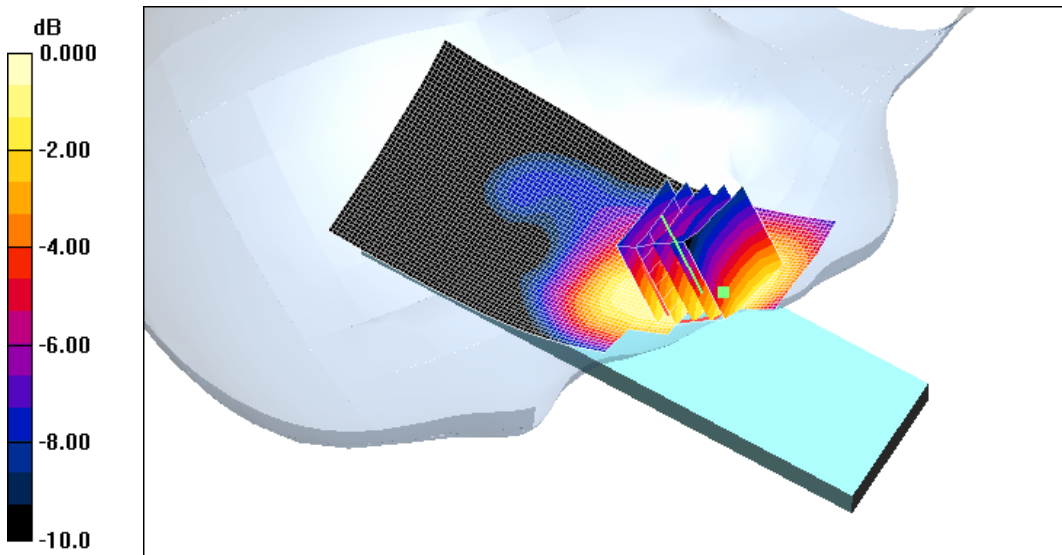
Right touch 777/Zoom Scan (5x5x7)/Cube 0: Measurement grid: dx=8mm, dy=8mm, dz=5mm

Reference Value = 24.5 V/m; Power Drift = -0.118 dB

Peak SAR (extrapolated) = 1.32 W/kg

SAR(1 g) = 1.02 mW/g; SAR(10 g) = 0.739 mW/g

Maximum value of SAR (measured) = 1.08 mW/g



0 dB = 1.08mW/g

Test Laboratory: HCT CO., LTD
EUT Type: Dual-Band Dual-Mode CDMA/GSM Phone with Bluetooth
GPRS Class 10 and GPRS mode class B (GPRS and GSM, but not simultaneously)
Liquid Temperature: 21.3 °C
Ambient Temperature: 21.5 °C
Test Date: Apr.01, 2009
Option: Extended

DUT: WP8990; Type: Folder; Serial: #1

Communication System: CDMA 835MHz FCC; Frequency: 848.31 MHz; Duty Cycle: 1:1
Medium parameters used (interpolated): $f = 848.31 \text{ MHz}$; $\sigma = 0.9 \text{ mho/m}$; $\epsilon_r = 42.2$; $\rho = 1000 \text{ kg/m}^3$
Phantom section: Right Section ; Measurement SW: DASY4, V4.7 Build 80; Postprocessing SW: SEMCAD, V1.8 Build 176

DASY4 Configuration:

- Probe: ET3DV6 - SN1609; ConvF(6.25, 6.25, 6.25); Calibrated: 2009-03-17
- Sensor-Surface: 4mm (Mechanical Surface Detection)
- Electronics: DAE4 Sn869; Calibrated: 2008-09-03
- Phantom: 835/900 Phantom ; Type: SAM

Right touch 777/Area Scan (51x111x1): Measurement grid: dx=15mm, dy=15mm

[Info: Interpolated medium parameters used for SAR evaluation.](#)

Maximum value of SAR (interpolated) = 1.08 mW/g

Right touch 777/Zoom Scan (5x5x7)/Cube 0: Measurement grid: dx=8mm, dy=8mm, dz=5mm

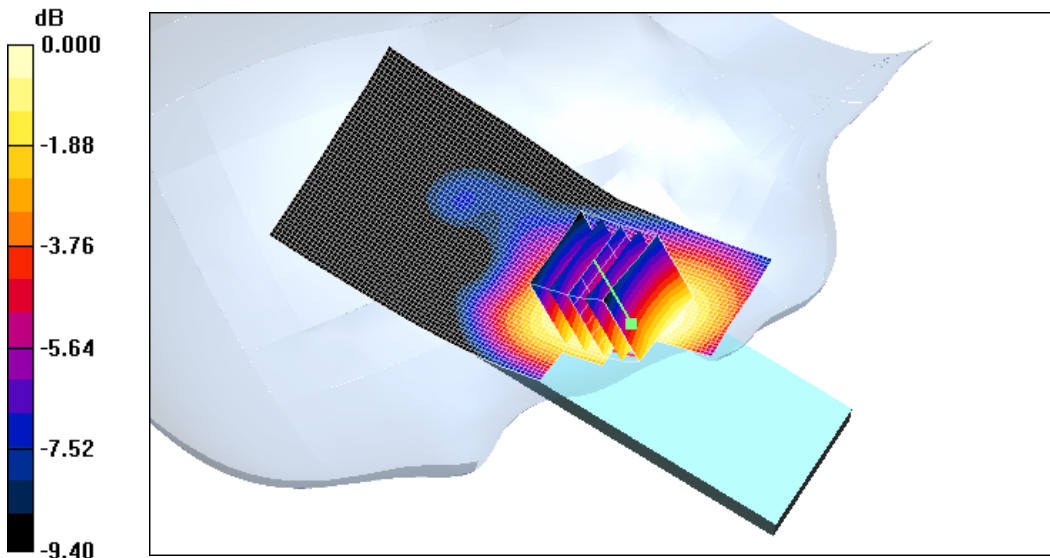
Reference Value = 25.5 V/m; Power Drift = -0.110 dB

Peak SAR (extrapolated) = 1.30 W/kg

SAR(1 g) = 1.02 mW/g; SAR(10 g) = 0.746 mW/g

[Info: Interpolated medium parameters used for SAR evaluation.](#)

Maximum value of SAR (measured) = 1.07 mW/g



0 dB = 1.07mW/g

Test Laboratory: HCT CO., LTD
EUT Type: Dual-Band Dual-Mode CDMA/GSM Phone with Bluetooth
GPRS Class 10 and GPRS mode class B (GPRS and GSM, but not simultaneously)
Liquid Temperature: 21.3 °C
Ambient Temperature: 21.5 °C
Test Date: Apr.01, 2009

DUT: WP8990; Type: Folder; Serial: #1

Communication System: CDMA 835MHz FCC; Frequency: 836.52 MHz; Duty Cycle: 1:1
Medium parameters used (interpolated): $f = 836.52$ MHz; $\sigma = 0.887$ mho/m; $\epsilon_r = 42.5$; $\rho = 1000$ kg/m³
Phantom section: Left Section ; Measurement SW: DASY4, V4.7 Build 80; Postprocessing SW: SEMCAD, V1.8 Build 176

DASY4 Configuration:

- Probe: ET3DV6 - SN1609; ConvF(6.25, 6.25, 6.25); Calibrated: 2009-03-17
- Sensor-Surface: 4mm (Mechanical Surface Detection)
- Electronics: DAE4 Sn869; Calibrated: 2008-09-03
- Phantom: 835/900 Phantom ; Type: SAM

Left tilt 384/Area Scan (51x121x1): Measurement grid: dx=15mm, dy=15mm

[Info: Interpolated medium parameters used for SAR evaluation.](#)

Maximum value of SAR (interpolated) = 0.217 mW/g

Left tilt 384/Zoom Scan (5x5x7)/Cube 0: Measurement grid: dx=8mm, dy=8mm, dz=5mm

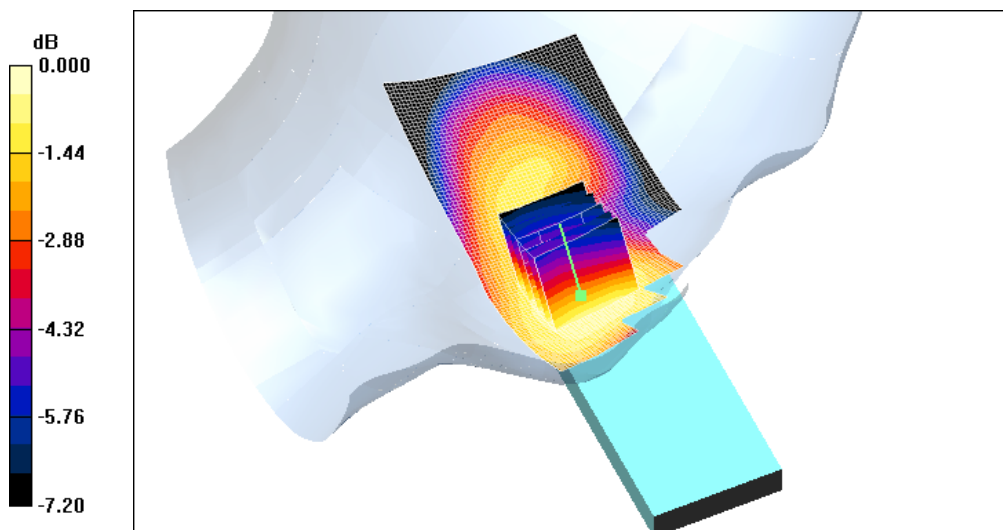
Reference Value = 12.6 V/m; Power Drift = -0.009 dB

Peak SAR (extrapolated) = 0.256 W/kg

SAR(1 g) = 0.208 mW/g; SAR(10 g) = 0.159 mW/g

[Info: Interpolated medium parameters used for SAR evaluation.](#)

Maximum value of SAR (measured) = 0.218 mW/g



0 dB = 0.218mW/g

Test Laboratory: HCT CO., LTD
EUT Type: Dual-Band Dual-Mode CDMA/GSM Phone with Bluetooth
GPRS Class 10 and GPRS mode class B (GPRS and GSM, but not simultaneously)
Liquid Temperature: 21.3 °C
Ambient Temperature: 21.5 °C
Test Date: Apr.01, 2009

DUT: WP8990; Type: Folder; Serial: #1

Communication System: CDMA 835MHz FCC; Frequency: 836.52 MHz; Duty Cycle: 1:1
Medium parameters used (interpolated): $f = 836.52$ MHz; $\sigma = 0.887$ mho/m; $\epsilon_r = 42.5$; $\rho = 1000$ kg/m³
Phantom section: Right Section ; Measurement SW: DASY4, V4.7 Build 80; Postprocessing SW: SEMCAD, V1.8 Build 176

DASY4 Configuration:

- Probe: ET3DV6 - SN1609; ConvF(6.25, 6.25, 6.25); Calibrated: 2009-03-17
- Sensor-Surface: 4mm (Mechanical Surface Detection)
- Electronics: DAE4 Sn869; Calibrated: 2008-09-03
- Phantom: 835/900 Phantom ; Type: SAM

Right tilt 384/Area Scan (51x121x1): Measurement grid: dx=15mm, dy=15mm

[Info: Interpolated medium parameters used for SAR evaluation.](#)

Maximum value of SAR (interpolated) = 0.243 mW/g

Right tilt 384/Zoom Scan (5x5x7)/Cube 0: Measurement grid: dx=8mm, dy=8mm, dz=5mm

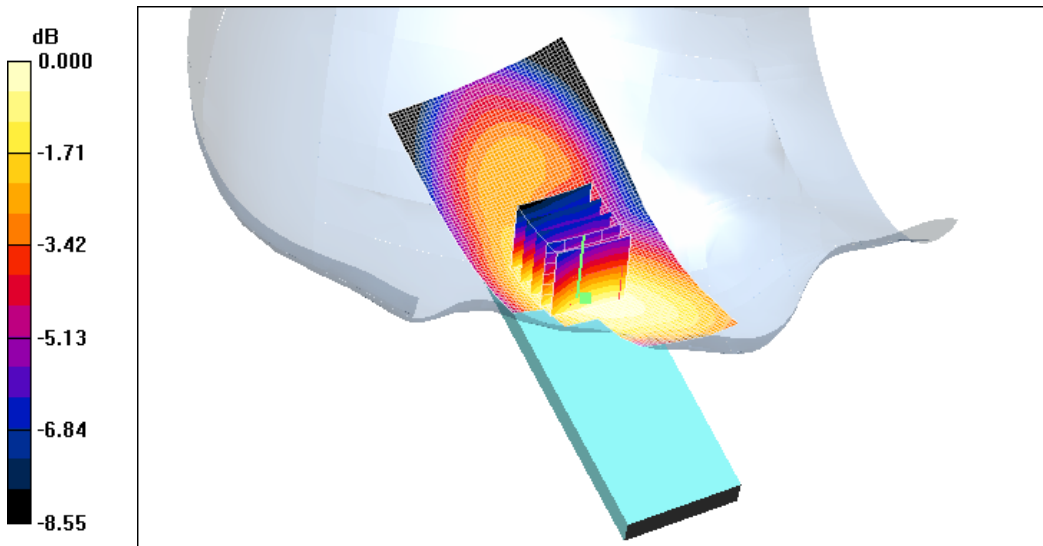
Reference Value = 15.2 V/m; Power Drift = 0.141 dB

Peak SAR (extrapolated) = 0.300 W/kg

SAR(1 g) = 0.236 mW/g; SAR(10 g) = 0.176 mW/g

[Info: Interpolated medium parameters used for SAR evaluation.](#)

Maximum value of SAR (measured) = 0.246 mW/g



0 dB = 0.246mW/g

Test Laboratory: HCT CO., LTD
EUT Type: Dual-Band Dual-Mode CDMA/GSM Phone with Bluetooth
GPRS Class 10 and GPRS mode class B (GPRS and GSM, but not simultaneously)
Liquid Temperature: 21.3 °C
Ambient Temperature: 21.5 °C
Test Date: Apr.02, 2009

DUT: WP8990; Type: Folder; Serial: #1

Communication System: PCS 1900; Frequency: 1851.25 MHz; Duty Cycle: 1:1
Medium parameters used (interpolated): $f = 1851.25$ MHz; $\sigma = 1.36$ mho/m; $\epsilon_r = 39.2$; $\rho = 1000$ kg/m³
Phantom section: Left Section ; Measurement SW: DASY4, V4.7 Build 80; Postprocessing SW: SEMCAD, V1.8 Build 176

DASY4 Configuration:

- Probe: ET3DV6 - SN1609; ConvF(5.12, 5.12, 5.12); Calibrated: 2009-03-17
- Sensor-Surface: 4mm (Mechanical Surface Detection)
- Electronics: DAE4 Sn869; Calibrated: 2008-09-03
- Phantom: 1800/1900 Phantom; Type: SAM

Left touch 25/Area Scan (51x111x1): Measurement grid: dx=15mm, dy=15mm

[Info: Interpolated medium parameters used for SAR evaluation.](#)

Maximum value of SAR (interpolated) = 0.604 mW/g

Left touch 25/Zoom Scan (5x5x7)/Cube 0: Measurement grid: dx=8mm, dy=8mm, dz=5mm

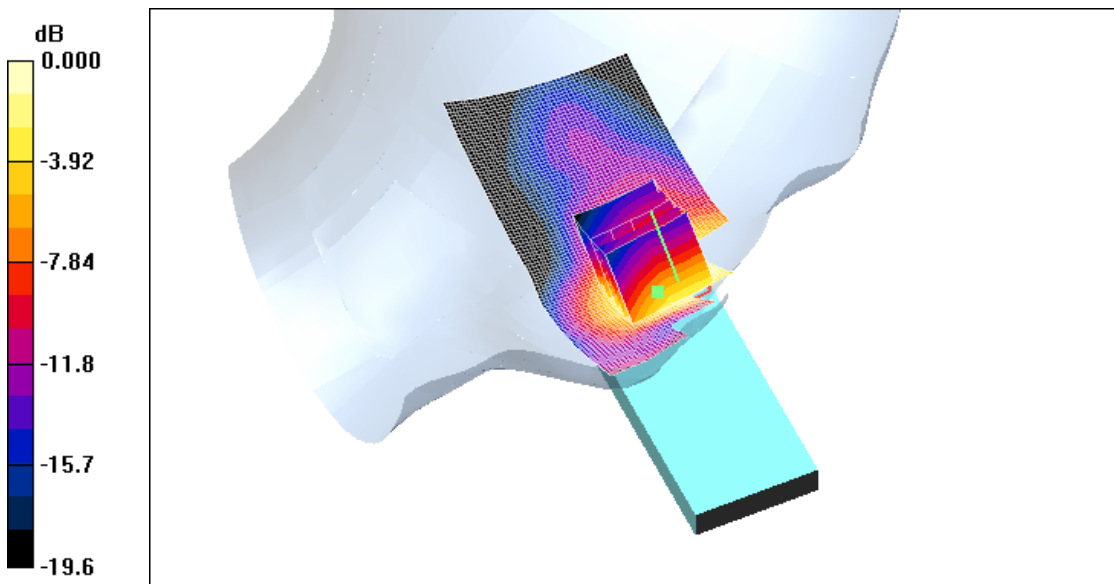
Reference Value = 11.5 V/m; Power Drift = -0.135 dB

Peak SAR (extrapolated) = 0.748 W/kg

SAR(1 g) = 0.549 mW/g; SAR(10 g) = 0.343 mW/g

[Info: Interpolated medium parameters used for SAR evaluation.](#)

Maximum value of SAR (measured) = 0.587 mW/g



0 dB = 0.587mW/g

Test Laboratory: HCT CO., LTD
EUT Type: Dual-Band Dual-Mode CDMA/GSM Phone with Bluetooth
GPRS Class 10 and GPRS mode class B (GPRS and GSM, but not simultaneously)
Liquid Temperature: 21.3 °C
Ambient Temperature: 21.5 °C
Test Date: Apr.02, 2009

DUT: WP8990; Type: Folder; Serial: #1

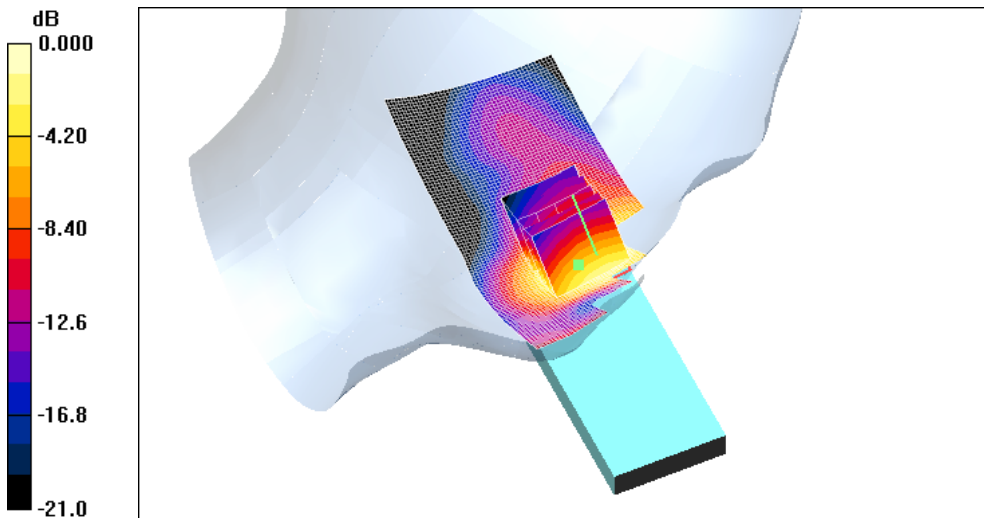
Communication System: PCS 1900; Frequency: 1880 MHz; Duty Cycle: 1:1
Medium parameters used: $f = 1880$ MHz; $\sigma = 1.39$ mho/m; $\epsilon_r = 39.2$; $\rho = 1000$ kg/m³
Phantom section: Left Section ; Measurement SW: DASY4, V4.7 Build 80; Postprocessing SW: SEMCAD, V1.8 Build 176

DASY4 Configuration:

- Probe: ET3DV6 - SN1609; ConvF(5.12, 5.12, 5.12); Calibrated: 2009-03-17
- Sensor-Surface: 4mm (Mechanical Surface Detection)
- Electronics: DAE4 Sn869; Calibrated: 2008-09-03
- Phantom: 1800/1900 Phantom; Type: SAM

Left touch 600/Area Scan (51x111x1): Measurement grid: dx=15mm, dy=15mm
Maximum value of SAR (interpolated) = 0.815 mW/g

Left touch 600/Zoom Scan (5x5x7)/Cube 0: Measurement grid: dx=8mm, dy=8mm, dz=5mm
Reference Value = 14.4 V/m; Power Drift = -0.103 dB
Peak SAR (extrapolated) = 1.07 W/kg
SAR(1 g) = 0.778 mW/g; SAR(10 g) = 0.481 mW/g
Maximum value of SAR (measured) = 0.826 mW/g



0 dB = 0.826mW/g

Test Laboratory: HCT CO., LTD
EUT Type: Dual-Band Dual-Mode CDMA/GSM Phone with Bluetooth
GPRS Class 10 and GPRS mode class B (GPRS and GSM, but not simultaneously)
Liquid Temperature: 21.3 °C
Ambient Temperature: 21.5 °C
Test Date: Apr.02, 2009

DUT: WP8990; Type: Folder; Serial: #1

Communication System: PCS 1900; Frequency: 1908.75 MHz; Duty Cycle: 1:1
Medium parameters used (interpolated): $f = 1908.75 \text{ MHz}$; $\sigma = 1.42 \text{ mho/m}$; $\epsilon_r = 39.1$; $\rho = 1000 \text{ kg/m}^3$
Phantom section: Left Section ; Measurement SW: DASY4, V4.7 Build 80; Postprocessing SW: SEMCAD, V1.8
Build 176

DASY4 Configuration:
- Probe: ET3DV6 - SN1609; ConvF(5.12, 5.12, 5.12); Calibrated: 2009-03-17
- Sensor-Surface: 4mm (Mechanical Surface Detection)
- Electronics: DAE4 Sn869; Calibrated: 2008-09-03
- Phantom: 1800/1900 Phantom; Type: SAM

Left touch 1175/Area Scan (51x111x1): Measurement grid: dx=15mm, dy=15mm

[Info: Interpolated medium parameters used for SAR evaluation.](#)

Maximum value of SAR (interpolated) = 0.846 mW/g

Left touch 1175/Zoom Scan (5x5x7)/Cube 0: Measurement grid: dx=8mm, dy=8mm, dz=5mm

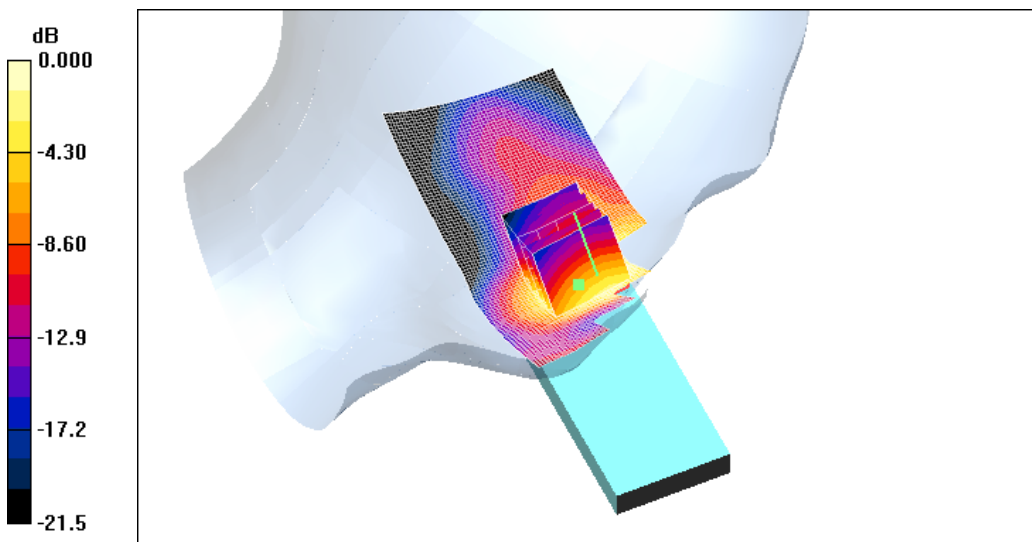
Reference Value = 12.4 V/m; Power Drift = 0.071 dB

Peak SAR (extrapolated) = 1.05 W/kg

SAR(1 g) = 0.752 mW/g; SAR(10 g) = 0.456 mW/g

[Info: Interpolated medium parameters used for SAR evaluation.](#)

Maximum value of SAR (measured) = 0.812 mW/g



0 dB = 0.812mW/g

Test Laboratory: HCT CO., LTD
EUT Type: Dual-Band Dual-Mode CDMA/GSM Phone with Bluetooth
GPRS Class 10 and GPRS mode class B (GPRS and GSM, but not simultaneously)
Liquid Temperature: 21.3 °C
Ambient Temperature: 21.5 °C
Test Date: Apr.02, 2009

DUT: WP8990; Type: Folder; Serial: #1

Communication System: PCS 1900; Frequency: 1851.25 MHz; Duty Cycle: 1:1
Medium parameters used (interpolated): $f = 1851.25$ MHz; $\sigma = 1.36$ mho/m; $\epsilon_r = 39.2$; $\rho = 1000$ kg/m³
Phantom section: Right Section ; Measurement SW: DASY4, V4.7 Build 80; Postprocessing SW: SEMCAD, V1.8 Build 176

DASY4 Configuration:

- Probe: ET3DV6 - SN1609; ConvF(5.12, 5.12, 5.12); Calibrated: 2009-03-17
- Sensor-Surface: 4mm (Mechanical Surface Detection)
- Electronics: DAE4 Sn869; Calibrated: 2008-09-03
- Phantom: 1800/1900 Phantom; Type: SAM

Right touch 25/Area Scan (51x111x1): Measurement grid: dx=15mm, dy=15mm

[Info: Interpolated medium parameters used for SAR evaluation.](#)

Maximum value of SAR (interpolated) = 1.05 mW/g

Right touch 25/Zoom Scan (5x5x7)/Cube 0: Measurement grid: dx=8mm, dy=8mm, dz=5mm

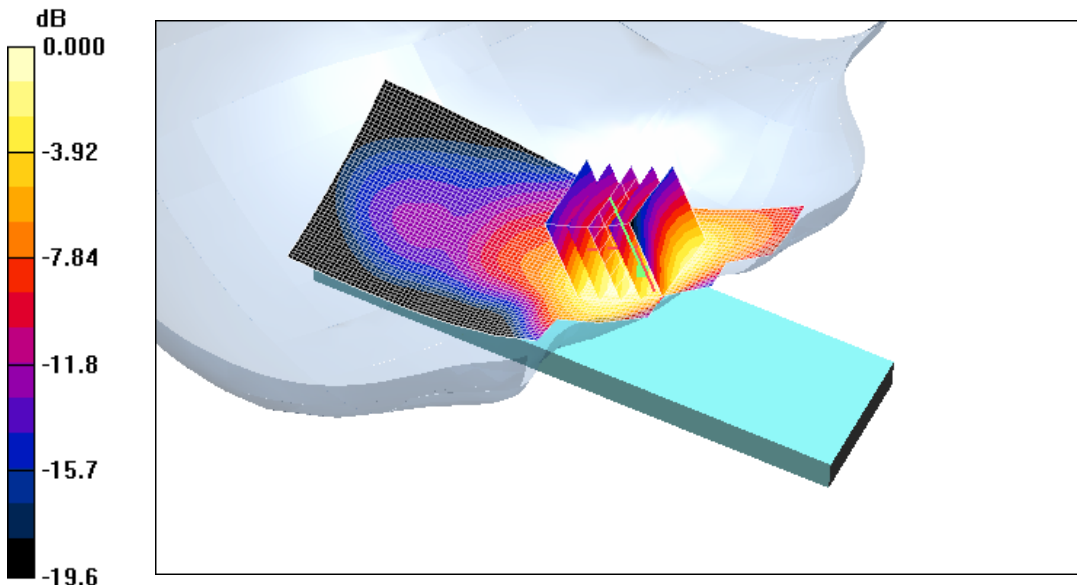
Reference Value = 16.1 V/m; Power Drift = -0.041 dB

Peak SAR (extrapolated) = 1.31 W/kg

SAR(1 g) = 0.948 mW/g; SAR(10 g) = 0.590 mW/g

[Info: Interpolated medium parameters used for SAR evaluation.](#)

Maximum value of SAR (measured) = 1.04 mW/g



Test Laboratory: HCT CO., LTD
EUT Type: Dual-Band Dual-Mode CDMA/GSM Phone with Bluetooth
GPRS Class 10 and GPRS mode class B (GPRS and GSM, but not simultaneously)
Liquid Temperature: 21.3 °C
Ambient Temperature: 21.5 °C
Test Date: Apr.02, 2009

DUT: WP8990; Type: Folder; Serial: #1

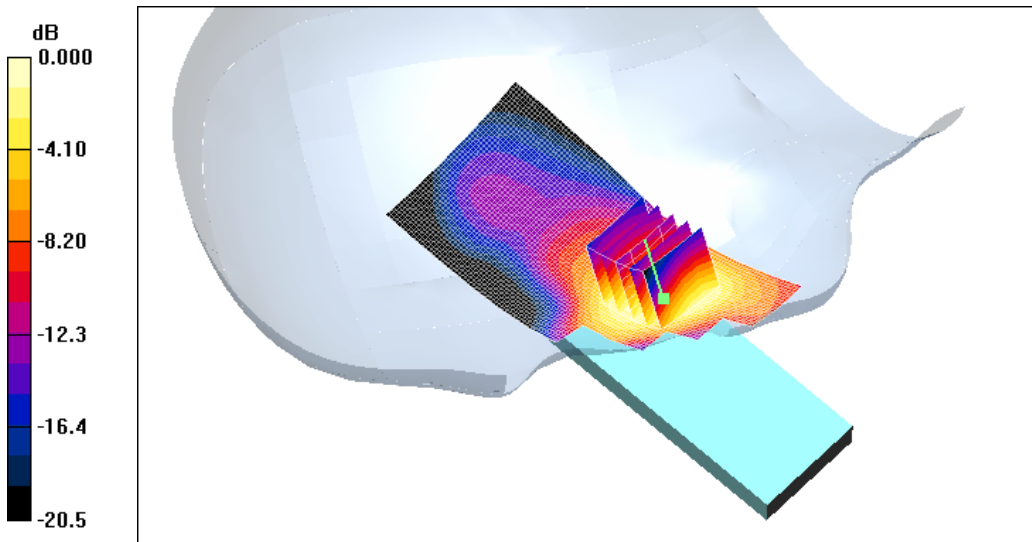
Communication System: PCS 1900; Frequency: 1880 MHz; Duty Cycle: 1:1
Medium parameters used: $f = 1880 \text{ MHz}$; $\sigma = 1.39 \text{ mho/m}$; $\epsilon_r = 39.2$; $\rho = 1000 \text{ kg/m}^3$
Phantom section: Right Section ; Measurement SW: DASY4, V4.7 Build 80; Postprocessing SW: SEMCAD, V1.8 Build 176

DASY4 Configuration:

- Probe: ET3DV6 - SN1609; ConvF(5.12, 5.12, 5.12); Calibrated: 2009-03-17
- Sensor-Surface: 4mm (Mechanical Surface Detection)
- Electronics: DAE4 Sn869; Calibrated: 2008-09-03
- Phantom: 1800/1900 Phantom; Type: SAM

Right touch 600/Area Scan (51x111x1): Measurement grid: $dx=15\text{mm}$, $dy=15\text{mm}$
Maximum value of SAR (interpolated) = 1.44 mW/g

Right touch 600/Zoom Scan (5x5x7)/Cube 0: Measurement grid: $dx=8\text{mm}$, $dy=8\text{mm}$, $dz=5\text{mm}$
Reference Value = 20.1 V/m; Power Drift = -0.061 dB
Peak SAR (extrapolated) = 1.84 W/kg
SAR(1 g) = 1.29 mW/g; SAR(10 g) = 0.787 mW/g
Maximum value of SAR (measured) = 1.43 mW/g



0 dB = 1.43mW/g

Test Laboratory: HCT CO., LTD
EUT Type: Dual-Band Dual-Mode CDMA/GSM Phone with Bluetooth
GPRS Class 10 and GPRS mode class B (GPRS and GSM, but not simultaneously)
Liquid Temperature: 21.3 °C
Ambient Temperature: 21.5 °C
Test Date: Apr.02, 2009

DUT: WP8990; Type: Folder; Serial: #1

Communication System: PCS 1900; Frequency: 1908.75 MHz; Duty Cycle: 1:1
Medium parameters used (interpolated): $f = 1908.75$ MHz; $\sigma = 1.42$ mho/m; $\epsilon_r = 39.1$; $\rho = 1000$ kg/m³
Phantom section: Right Section ; Measurement SW: DASY4, V4.7 Build 80; Postprocessing SW: SEMCAD, V1.8 Build 176

DASY4 Configuration:
- Probe: ET3DV6 - SN1609; ConvF(5.12, 5.12, 5.12); Calibrated: 2009-03-17
- Sensor-Surface: 4mm (Mechanical Surface Detection)
- Electronics: DAE4 Sn869; Calibrated: 2008-09-03
- Phantom: 1800/1900 Phantom; Type: SAM

Right touch 1175/Area Scan (51x111x1): Measurement grid: dx=15mm, dy=15mm

[Info: Interpolated medium parameters used for SAR evaluation.](#)

Maximum value of SAR (interpolated) = 1.18 mW/g

Right touch 1175/Zoom Scan (5x5x7)/Cube 0: Measurement grid: dx=8mm, dy=8mm, dz=5mm

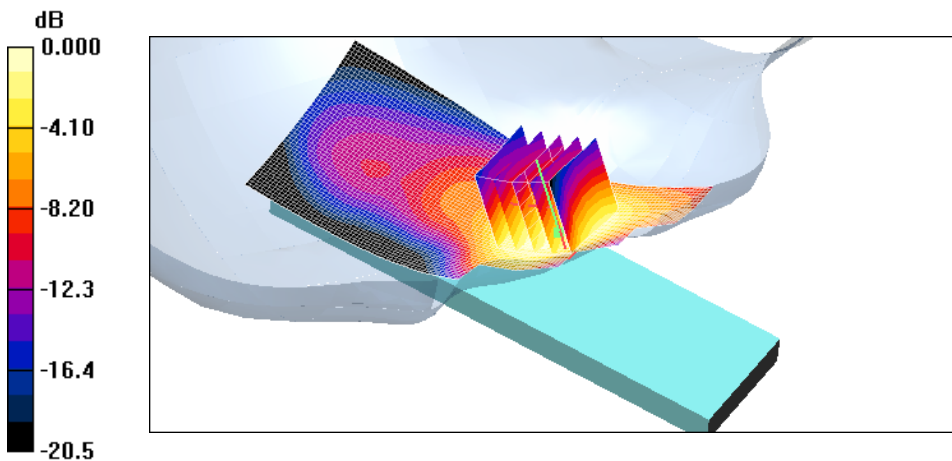
Reference Value = 16.8 V/m; Power Drift = 0.014 dB

Peak SAR (extrapolated) = 1.52 W/kg

SAR(1 g) = 1.06 mW/g; SAR(10 g) = 0.648 mW/g

[Info: Interpolated medium parameters used for SAR evaluation.](#)

Maximum value of SAR (measured) = 1.16 mW/g



0 dB = 1.16mW/g

Test Laboratory: HCT CO., LTD
EUT Type: Dual-Band Dual-Mode CDMA/GSM Phone with Bluetooth
GPRS Class 10 and GPRS mode class B (GPRS and GSM, but not simultaneously)
Liquid Temperature: 21.3 °C
Ambient Temperature: 21.5 °C
Test Date: Apr.02, 2009
Option: Extended

DUT: WP8990; Type: Folder; Serial: #1

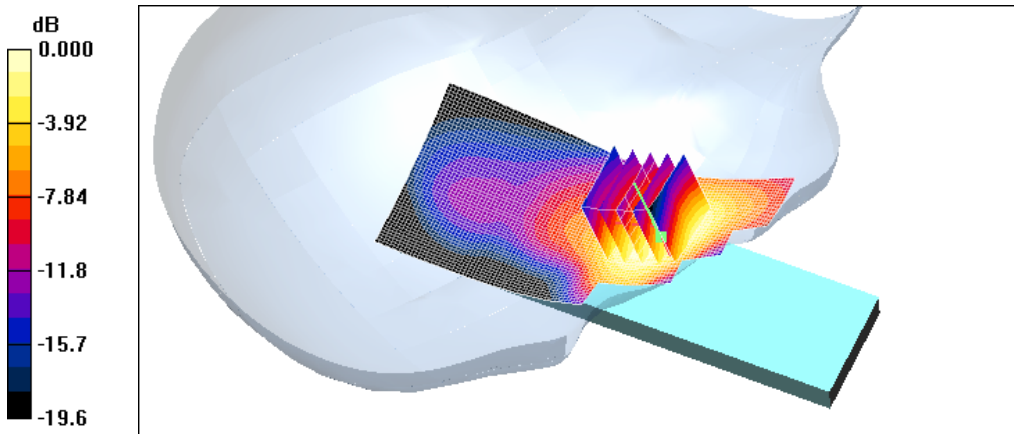
Communication System: PCS 1900; Frequency: 1880 MHz; Duty Cycle: 1:1
Medium parameters used: $f = 1880$ MHz; $\sigma = 1.39$ mho/m; $\epsilon_r = 39.2$; $\rho = 1000$ kg/m³
Phantom section: Right Section ; Measurement SW: DASY4, V4.7 Build 80; Postprocessing SW: SEMCAD, V1.8 Build 176

DASY4 Configuration:

- Probe: ET3DV6 - SN1609; ConvF(5.12, 5.12, 5.12); Calibrated: 2009-03-17
- Sensor-Surface: 4mm (Mechanical Surface Detection)
- Electronics: DAE4 Sn869; Calibrated: 2008-09-03
- Phantom: 1800/1900 Phantom; Type: SAM

Right touch 600/Area Scan (51x111x1): Measurement grid: dx=15mm, dy=15mm
Maximum value of SAR (interpolated) = 1.26 mW/g

Right touch 600/Zoom Scan (5x5x7)/Cube 0: Measurement grid: dx=8mm, dy=8mm, dz=5mm
Reference Value = 19.5 V/m; Power Drift = -0.024 dB
Peak SAR (extrapolated) = 1.65 W/kg
SAR(1 g) = 1.16 mW/g; SAR(10 g) = 0.716 mW/g
Maximum value of SAR (measured) = 1.27 mW/g



0 dB = 1.27mW/g

Test Laboratory: HCT CO., LTD
EUT Type: Dual-Band Dual-Mode CDMA/GSM Phone with Bluetooth
GPRS Class 10 and GPRS mode class B (GPRS and GSM, but not simultaneously)
Liquid Temperature: 21.3 °C
Ambient Temperature: 21.5 °C
Test Date: Apr.02, 2009

DUT: WP8990; Type: Folder; Serial: #1

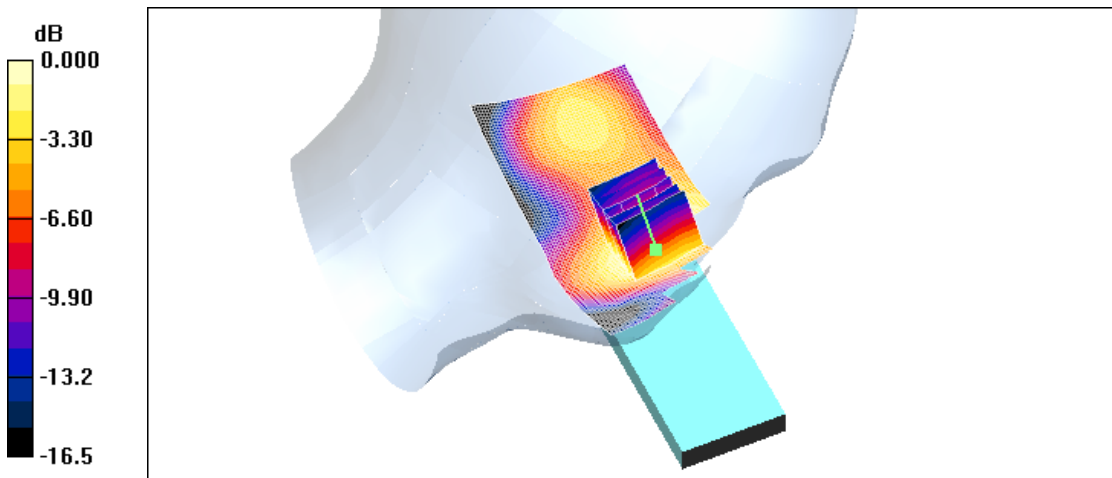
Communication System: PCS 1900; Frequency: 1880 MHz; Duty Cycle: 1:1
Medium parameters used: $f = 1880$ MHz; $\sigma = 1.39$ mho/m; $\epsilon_r = 39.2$; $\rho = 1000$ kg/m³
Phantom section: Left Section ; Measurement SW: DASY4, V4.7 Build 80; Postprocessing SW: SEMCAD, V1.8 Build 176

DASY4 Configuration:

- Probe: ET3DV6 - SN1609; ConvF(5.12, 5.12, 5.12); Calibrated: 2009-03-17
- Sensor-Surface: 4mm (Mechanical Surface Detection)
- Electronics: DAE4 Sn869; Calibrated: 2008-09-03
- Phantom: 1800/1900 Phantom; Type: SAM

Left tilt 600/Area Scan (51x111x1): Measurement grid: dx=15mm, dy=15mm
Maximum value of SAR (interpolated) = 0.192 mW/g

Left tilt 600/Zoom Scan (5x5x7)/Cube 0: Measurement grid: dx=8mm, dy=8mm, dz=5mm
Reference Value = 9.28 V/m; Power Drift = -0.110 dB
Peak SAR (extrapolated) = 0.242 W/kg
SAR(1 g) = 0.169 mW/g; SAR(10 g) = 0.107 mW/g
Maximum value of SAR (measured) = 0.182 mW/g



0 dB = 0.182mW/g

Test Laboratory: HCT CO., LTD
EUT Type: Dual-Band Dual-Mode CDMA/GSM Phone with Bluetooth
GPRS Class 10 and GPRS mode class B (GPRS and GSM, but not simultaneously)
Liquid Temperature: 21.3 °C
Ambient Temperature: 21.5 °C
Test Date: Apr.02, 2009

DUT: WP8990; Type: Folder; Serial: #1

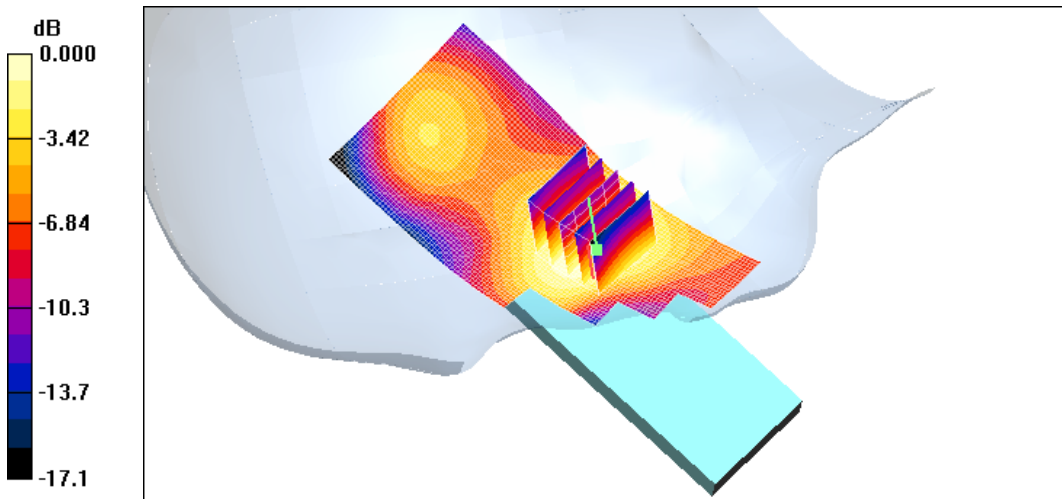
Communication System: PCS 1900; Frequency: 1880 MHz; Duty Cycle: 1:1
Medium parameters used: $f = 1880$ MHz; $\sigma = 1.39$ mho/m; $\epsilon_r = 39.2$; $\rho = 1000$ kg/m³
Phantom section: Right Section ; Measurement SW: DASY4, V4.7 Build 80; Postprocessing SW: SEMCAD, V1.8 Build 176

DASY4 Configuration:

- Probe: ET3DV6 - SN1609; ConvF(5.12, 5.12, 5.12); Calibrated: 2009-03-17
- Sensor-Surface: 4mm (Mechanical Surface Detection)
- Electronics: DAE4 Sn869; Calibrated: 2008-09-03
- Phantom: 1800/1900 Phantom; Type: SAM

Right tilt 600/Area Scan (51x111x1): Measurement grid: dx=15mm, dy=15mm
Maximum value of SAR (interpolated) = 0.232 mW/g

Right tilt 600/Zoom Scan (5x5x7)/Cube 0: Measurement grid: dx=8mm, dy=8mm, dz=5mm
Reference Value = 11.7 V/m; Power Drift = -0.172 dB
Peak SAR (extrapolated) = 0.295 W/kg
SAR(1 g) = 0.206 mW/g; SAR(10 g) = 0.131 mW/g
Maximum value of SAR (measured) = 0.221 mW/g



0 dB = 0.221 mW/g

Test Laboratory: HCT CO., LTD
EUT Type: Dual-Band Dual-Mode CDMA/GSM Phone with Bluetooth
GPRS Class 10 and GPRS mode class B (GPRS and GSM, but not simultaneously)
Liquid Temperature: 21.3 °C
Ambient Temperature: 21.5 °C
Test Date: Apr.01, 2009

DUT: WP8990; Type: Folder; Serial: #1

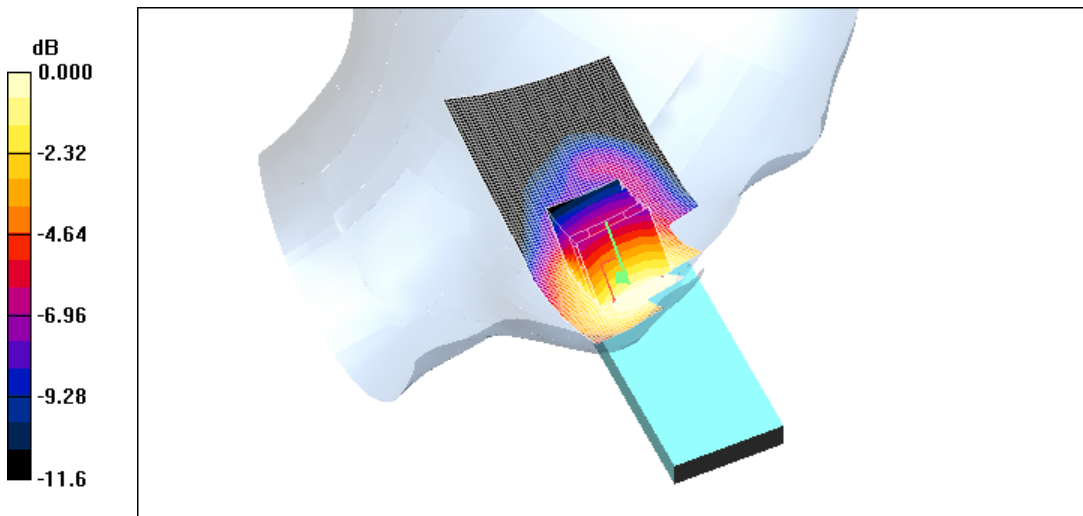
Communication System: GSM 850; Frequency: 824.2 MHz; Duty Cycle: 1:8.3
Medium parameters used: $f = 825$ MHz; $\sigma = 0.875$ mho/m; $\epsilon_r = 42.7$; $\rho = 1000$ kg/m³
Phantom section: Left Section ; Measurement SW: DASY4, V4.7 Build 80; Postprocessing SW: SEMCAD, V1.8 Build 176

DASY4 Configuration:

- Probe: ET3DV6 - SN1609; ConvF(6.25, 6.25, 6.25); Calibrated: 2009-03-17
- Sensor-Surface: 4mm (Mechanical Surface Detection)
- Electronics: DAE4 Sn869; Calibrated: 2008-09-03
- Phantom: 835/900 Phantom ; Type: SAM

Left touch 128/Area Scan (51x111x1): Measurement grid: dx=15mm, dy=15mm
Maximum value of SAR (interpolated) = 0.636 mW/g

Left touch 128/Zoom Scan (5x5x7)/Cube 0: Measurement grid: dx=8mm, dy=8mm, dz=5mm
Reference Value = 15.3 V/m; Power Drift = -0.017 dB
Peak SAR (extrapolated) = 0.806 W/kg
SAR(1 g) = 0.584 mW/g; SAR(10 g) = 0.435 mW/g
Maximum value of SAR (measured) = 0.616 mW/g



0 dB = 0.616mW/g

Test Laboratory: HCT CO., LTD
EUT Type: Dual-Band Dual-Mode CDMA/GSM Phone with Bluetooth
GPRS Class 10 and GPRS mode class B (GPRS and GSM, but not simultaneously)
Liquid Temperature: 21.3 °C
Ambient Temperature: 21.5 °C
Test Date: Apr.01, 2009

DUT: WP8990; Type: Folder; Serial: #1

Communication System: GSM 850; Frequency: 836.6 MHz; Duty Cycle: 1:8.3
Medium parameters used (interpolated): $f = 836.6$ MHz; $\sigma = 0.887$ mho/m; $\epsilon_r = 42.5$; $\rho = 1000$ kg/m³
Phantom section: Left Section ; Measurement SW: DASY4, V4.7 Build 80; Postprocessing SW: SEMCAD, V1.8 Build 176

DASY4 Configuration:

- Probe: ET3DV6 - SN1609; ConvF(6.25, 6.25, 6.25); Calibrated: 2009-03-17
- Sensor-Surface: 4mm (Mechanical Surface Detection)
- Electronics: DAE4 Sn869; Calibrated: 2008-09-03
- Phantom: 835/900 Phantom ; Type: SAM

Left touch 190/Area Scan (51x111x1): Measurement grid: dx=15mm, dy=15mm

[Info: Interpolated medium parameters used for SAR evaluation.](#)

Maximum value of SAR (interpolated) = 0.926 mW/g

Left touch 190/Zoom Scan (5x5x7)/Cube 0: Measurement grid: dx=8mm, dy=8mm, dz=5mm

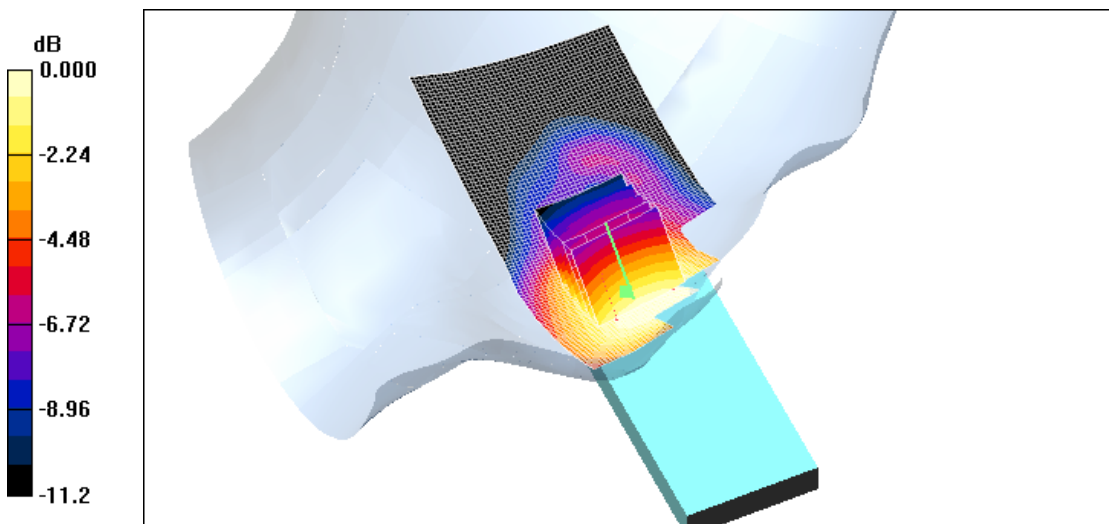
Reference Value = 19.5 V/m; Power Drift = -0.052 dB

Peak SAR (extrapolated) = 1.14 W/kg

SAR(1 g) = 0.856 mW/g; SAR(10 g) = 0.639 mW/g

[Info: Interpolated medium parameters used for SAR evaluation.](#)

Maximum value of SAR (measured) = 0.899 mW/g



0 dB = 0.899mW/g

Test Laboratory: HCT CO., LTD
EUT Type: Dual-Band Dual-Mode CDMA/GSM Phone with Bluetooth
GPRS Class 10 and GPRS mode class B (GPRS and GSM, but not simultaneously)
Liquid Temperature: 21.3 °C
Ambient Temperature: 21.5 °C
Test Date: Apr.01, 2009

DUT: WP8990; Type: Folder; Serial: #1

Communication System: GSM 850; Frequency: 848.8 MHz; Duty Cycle: 1:8.3
Medium parameters used (interpolated): $f = 848.8$ MHz; $\sigma = 0.901$ mho/m; $\epsilon_r = 42.2$; $\rho = 1000$ kg/m³
Phantom section: Left Section ; Measurement SW: DASY4, V4.7 Build 80; Postprocessing SW: SEMCAD, V1.8 Build 176

DASY4 Configuration:

- Probe: ET3DV6 - SN1609; ConvF(6.25, 6.25, 6.25); Calibrated: 2009-03-17
- Sensor-Surface: 4mm (Mechanical Surface Detection)
- Electronics: DAE4 Sn869; Calibrated: 2008-09-03
- Phantom: 835/900 Phantom ; Type: SAM

Left touch 251/Area Scan (51x111x1): Measurement grid: dx=15mm, dy=15mm

[Info: Interpolated medium parameters used for SAR evaluation.](#)

Maximum value of SAR (interpolated) = 0.993 mW/g

Left touch 251/Zoom Scan (5x5x7)/Cube 0: Measurement grid: dx=8mm, dy=8mm, dz=5mm

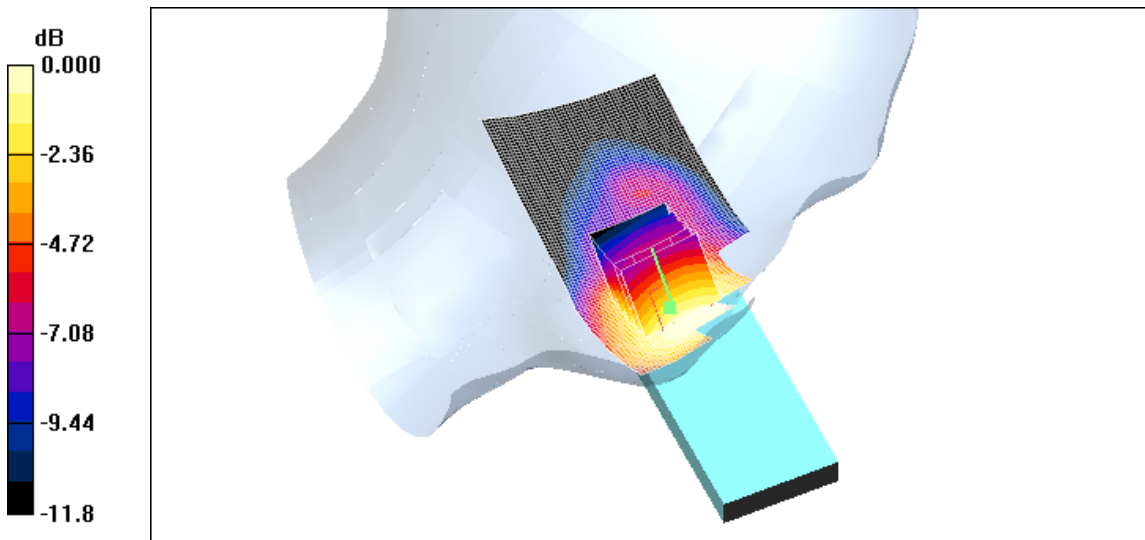
Reference Value = 19.6 V/m; Power Drift = -0.048 dB

Peak SAR (extrapolated) = 1.20 W/kg

SAR(1 g) = 0.918 mW/g; SAR(10 g) = 0.675 mW/g

[Info: Interpolated medium parameters used for SAR evaluation.](#)

Maximum value of SAR (measured) = 0.974 mW/g



0 dB = 0.974mW/g

Test Laboratory: HCT CO., LTD
EUT Type: Dual-Band Dual-Mode CDMA/GSM Phone with Bluetooth
GPRS Class 10 and GPRS mode class B (GPRS and GSM, but not simultaneously)
Liquid Temperature: 21.3 °C
Ambient Temperature: 21.5 °C
Test Date: Apr.01, 2009

DUT: WP8990; Type: Folder; Serial: #1

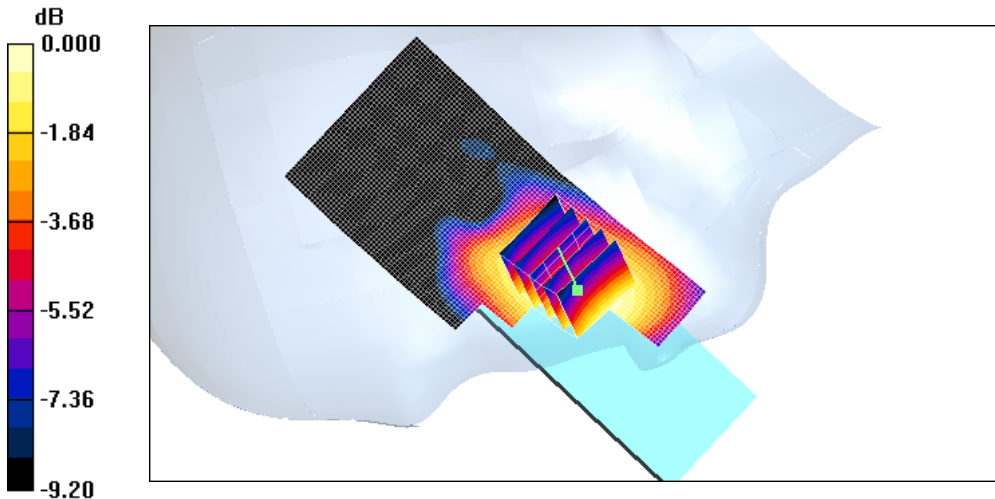
Communication System: GSM 850; Frequency: 824.2 MHz; Duty Cycle: 1:8.3
Medium parameters used: $f = 825$ MHz; $\sigma = 0.875$ mho/m; $\epsilon_r = 42.7$; $\rho = 1000$ kg/m³
Phantom section: Right Section ; Measurement SW: DASY4, V4.7 Build 80; Postprocessing SW: SEMCAD, V1.8 Build 176

DASY4 Configuration:

- Probe: ET3DV6 - SN1609; ConvF(6.25, 6.25, 6.25); Calibrated: 2009-03-17
- Sensor-Surface: 4mm (Mechanical Surface Detection)
- Electronics: DAE4 Sn869; Calibrated: 2008-09-03
- Phantom: 835/900 Phantom ; Type: SAM

Right touch 128/Area Scan (51x111x1): Measurement grid: dx=15mm, dy=15mm
Maximum value of SAR (interpolated) = 0.731 mW/g

Right touch 128/Zoom Scan (5x5x7)/Cube 0: Measurement grid: dx=8mm, dy=8mm, dz=5mm
Reference Value = 22.9 V/m; Power Drift = -0.099 dB
Peak SAR (extrapolated) = 0.900 W/kg
SAR(1 g) = 0.696 mW/g; SAR(10 g) = 0.510 mW/g
Maximum value of SAR (measured) = 0.736 mW/g



0 dB = 0.736mW/g

Test Laboratory: HCT CO., LTD
EUT Type: Dual-Band Dual-Mode CDMA/GSM Phone with Bluetooth
GPRS Class 10 and GPRS mode class B (GPRS and GSM, but not simultaneously)
Liquid Temperature: 21.3 °C
Ambient Temperature: 21.5 °C
Test Date: Apr.01, 2009

DUT: WP8990; Type: Folder; Serial: #1

Communication System: GSM 850; Frequency: 836.6 MHz; Duty Cycle: 1:8.3
Medium parameters used (interpolated): $f = 836.6$ MHz; $\sigma = 0.887$ mho/m; $\epsilon_r = 42.5$; $\rho = 1000$ kg/m³
Phantom section: Right Section ; Measurement SW: DASY4, V4.7 Build 80; Postprocessing SW: SEMCAD, V1.8 Build 176

DASY4 Configuration:

- Probe: ET3DV6 - SN1609; ConvF(6.25, 6.25, 6.25); Calibrated: 2009-03-17
- Sensor-Surface: 4mm (Mechanical Surface Detection)
- Electronics: DAE4 Sn869; Calibrated: 2008-09-03
- Phantom: 835/900 Phantom ; Type: SAM

Right touch 190/Area Scan (51x111x1): Measurement grid: dx=15mm, dy=15mm

[Info: Interpolated medium parameters used for SAR evaluation.](#)

Maximum value of SAR (interpolated) = 1.06 mW/g

Right touch 190/Zoom Scan (5x5x7)/Cube 0: Measurement grid: dx=8mm, dy=8mm, dz=5mm

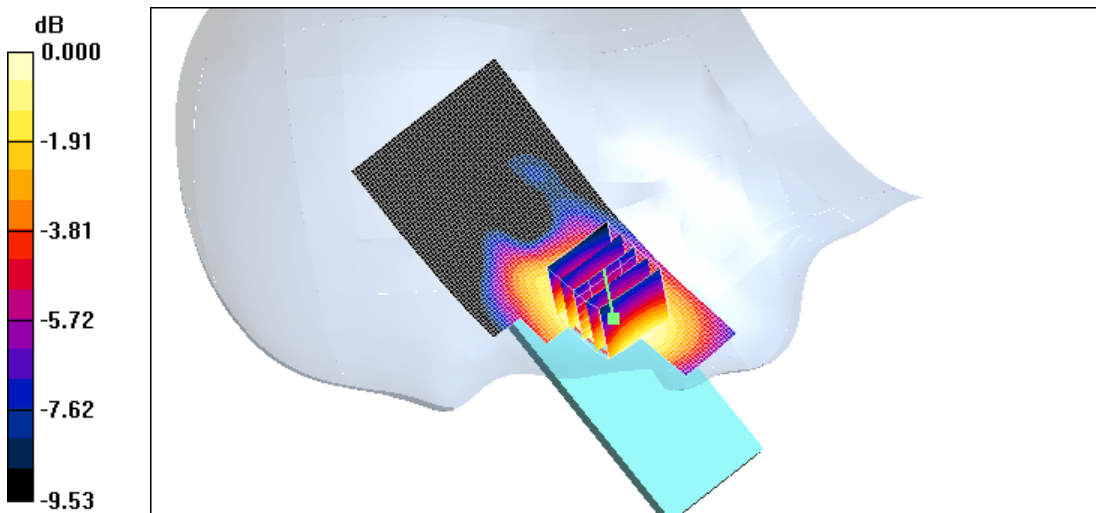
Reference Value = 27.9 V/m; Power Drift = -0.018 dB

Peak SAR (extrapolated) = 1.30 W/kg

SAR(1 g) = 1.01 mW/g; SAR(10 g) = 0.739 mW/g

[Info: Interpolated medium parameters used for SAR evaluation.](#)

Maximum value of SAR (measured) = 1.07 mW/g



0 dB = 1.07mW/g

Test Laboratory: HCT CO., LTD
EUT Type: Dual-Band Dual-Mode CDMA/GSM Phone with Bluetooth
GPRS Class 10 and GPRS mode class B (GPRS and GSM, but not simultaneously)
Liquid Temperature: 21.3 °C
Ambient Temperature: 21.5 °C
Test Date: Apr.01, 2009

DUT: WP8990; Type: Folder; Serial: #1

Communication System: GSM 850; Frequency: 848.8 MHz; Duty Cycle: 1:8.3
Medium parameters used (interpolated): $f = 848.8$ MHz; $\sigma = 0.901$ mho/m; $\epsilon_r = 42.2$; $\rho = 1000$ kg/m³
Phantom section: Right Section ; Measurement SW: DASY4, V4.7 Build 80; Postprocessing SW: SEMCAD, V1.8 Build 176

DASY4 Configuration:

- Probe: ET3DV6 - SN1609; ConvF(6.25, 6.25, 6.25); Calibrated: 2009-03-17
- Sensor-Surface: 4mm (Mechanical Surface Detection)
- Electronics: DAE4 Sn869; Calibrated: 2008-09-03
- Phantom: 835/900 Phantom ; Type: SAM

Right touch 251/Area Scan (51x111x1): Measurement grid: dx=15mm, dy=15mm

[Info: Interpolated medium parameters used for SAR evaluation.](#)

Maximum value of SAR (interpolated) = 1.19 mW/g

Right touch 251/Zoom Scan (5x5x7)/Cube 0: Measurement grid: dx=8mm, dy=8mm, dz=5mm

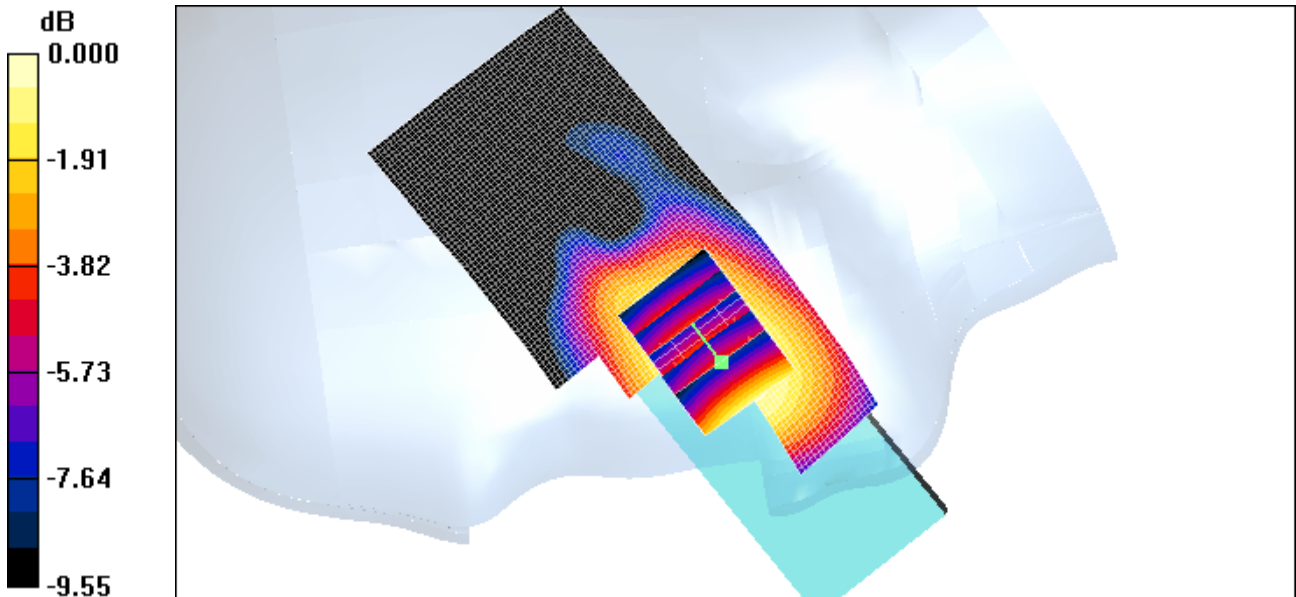
Reference Value = 28.3 V/m; Power Drift = -0.045 dB

Peak SAR (extrapolated) = 1.48 W/kg

SAR(1 g) = 1.13 mW/g; SAR(10 g) = 0.821 mW/g

[Info: Interpolated medium parameters used for SAR evaluation.](#)

Maximum value of SAR (measured) = 1.20 mW/g



0 dB = 1.20mW/g

Test Laboratory: HCT CO., LTD
EUT Type: Dual-Band Dual-Mode CDMA/GSM Phone with Bluetooth
GPRS Class 10 and GPRS mode class B (GPRS and GSM, but not simultaneously)
Liquid Temperature: 21.3 °C
Ambient Temperature: 21.5 °C
Test Date: Apr.01, 2009
Option: Extended

DUT: WP8990; Type: Folder; Serial: #1

Communication System: GSM 850; Frequency: 848.8 MHz; Duty Cycle: 1:8.3
Medium parameters used (interpolated): $f = 848.8$ MHz; $\sigma = 0.901$ mho/m; $\epsilon_r = 42.2$; $\rho = 1000$ kg/m³
Phantom section: Right Section ; Measurement SW: DASY4, V4.7 Build 80; Postprocessing SW: SEMCAD, V1.8 Build 176

DASY4 Configuration:
- Probe: ET3DV6 - SN1609; ConvF(6.25, 6.25, 6.25); Calibrated: 2009-03-17
- Sensor-Surface: 4mm (Mechanical Surface Detection)
- Electronics: DAE4 Sn869; Calibrated: 2008-09-03
- Phantom: 835/900 Phantom ; Type: SAM

Right touch 251/Area Scan (51x111x1): Measurement grid: dx=15mm, dy=15mm

[Info: Interpolated medium parameters used for SAR evaluation.](#)

Maximum value of SAR (interpolated) = 1.19 mW/g

Right touch 251/Zoom Scan (5x5x7)/Cube 0: Measurement grid: dx=8mm, dy=8mm, dz=5mm

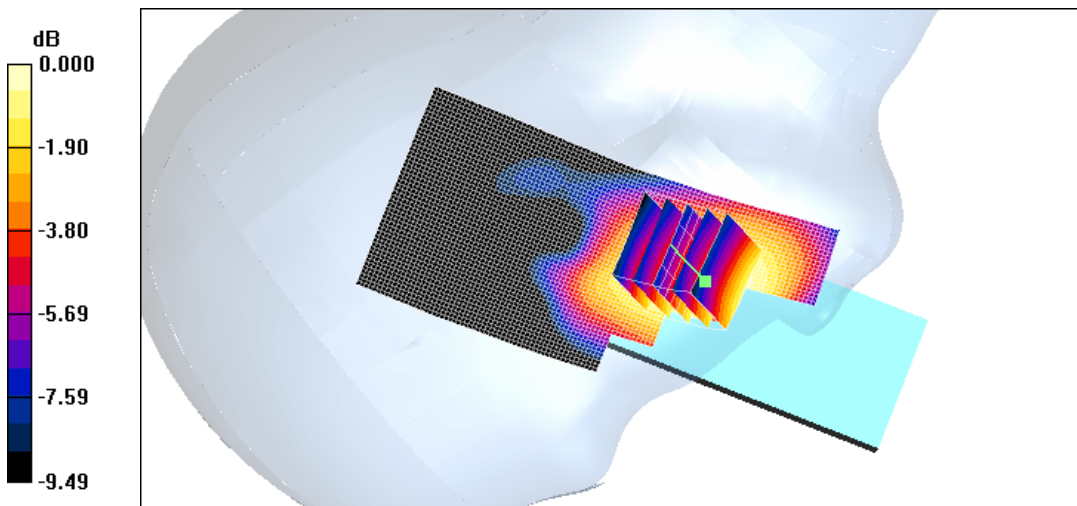
Reference Value = 28.4 V/m; Power Drift = 0.012 dB

Peak SAR (extrapolated) = 1.45 W/kg

SAR(1 g) = 1.13 mW/g; SAR(10 g) = 0.818 mW/g

[Info: Interpolated medium parameters used for SAR evaluation.](#)

Maximum value of SAR (measured) = 1.19 mW/g



Test Laboratory: HCT CO., LTD
EUT Type: Dual-Band Dual-Mode CDMA/GSM Phone with Bluetooth
GPRS Class 10 and GPRS mode class B (GPRS and GSM, but not simultaneously)
Liquid Temperature: 21.3 °C
Ambient Temperature: 21.5 °C
Test Date: Apr.01, 2009

DUT: WP8990; Type: Folder; Serial: #1

Communication System: GSM 850; Frequency: 836.6 MHz; Duty Cycle: 1:8.3
Medium parameters used (interpolated): $f = 836.6$ MHz; $\sigma = 0.887$ mho/m; $\epsilon_r = 42.5$; $\rho = 1000$ kg/m³
Phantom section: Left Section ; Measurement SW: DASY4, V4.7 Build 80; Postprocessing SW: SEMCAD, V1.8 Build 176

DASY4 Configuration:

- Probe: ET3DV6 - SN1609; ConvF(6.25, 6.25, 6.25); Calibrated: 2009-03-17
- Sensor-Surface: 4mm (Mechanical Surface Detection)
- Electronics: DAE4 Sn869; Calibrated: 2008-09-03
- Phantom: 835/900 Phantom ; Type: SAM

Left tilt 190/Area Scan (51x111x1): Measurement grid: dx=15mm, dy=15mm

[Info: Interpolated medium parameters used for SAR evaluation.](#)

Maximum value of SAR (interpolated) = 0.253 mW/g

Left tilt 190/Zoom Scan (5x5x7)/Cube 0: Measurement grid: dx=8mm, dy=8mm, dz=5mm

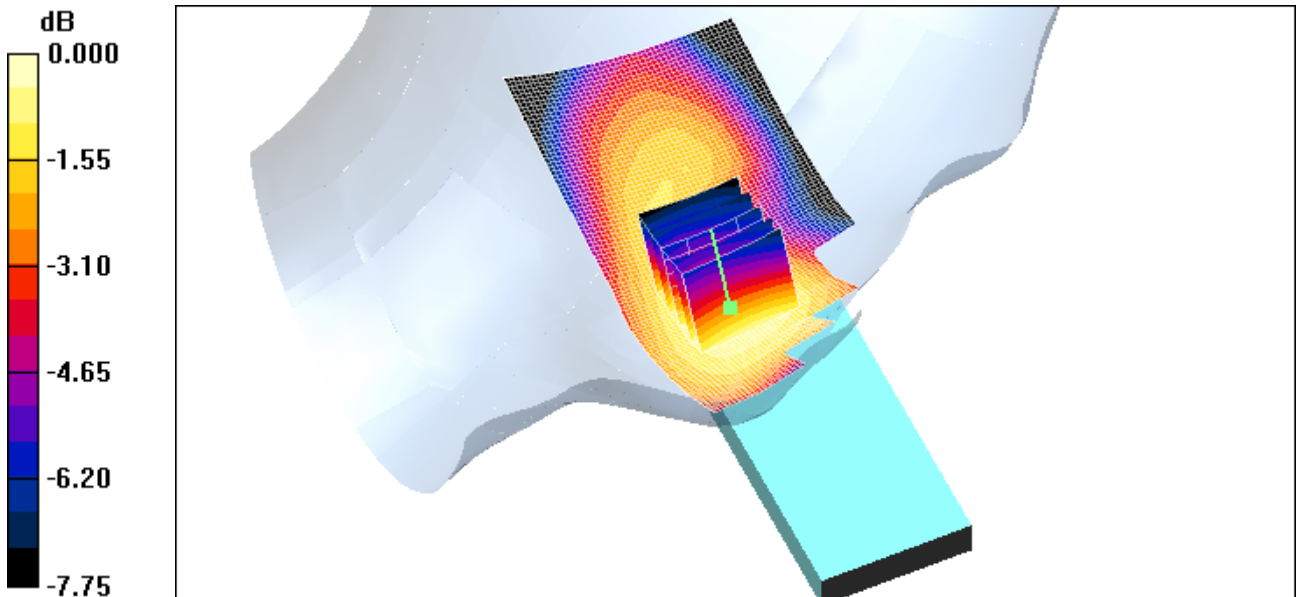
Reference Value = 14.4 V/m; Power Drift = 0.099 dB

Peak SAR (extrapolated) = 0.305 W/kg

SAR(1 g) = 0.243 mW/g; SAR(10 g) = 0.183 mW/g

[Info: Interpolated medium parameters used for SAR evaluation.](#)

Maximum value of SAR (measured) = 0.259 mW/g



0 dB = 0.259mW/g

Test Laboratory: HCT CO., LTD
EUT Type: Dual-Band Dual-Mode CDMA/GSM Phone with Bluetooth
GPRS Class 10 and GPRS mode class B (GPRS and GSM, but not simultaneously)
Liquid Temperature: 21.3 °C
Ambient Temperature: 21.5 °C
Test Date: Apr.01, 2009

DUT: WP8990; Type: Folder; Serial: #1

Communication System: GSM 850; Frequency: 836.6 MHz; Duty Cycle: 1:8.3
Medium parameters used (interpolated): $f = 836.6$ MHz; $\sigma = 0.887$ mho/m; $\epsilon_r = 42.5$; $\rho = 1000$ kg/m³
Phantom section: Right Section ; Measurement SW: DASY4, V4.7 Build 80; Postprocessing SW: SEMCAD, V1.8 Build 176

DASY4 Configuration:

- Probe: ET3DV6 - SN1609; ConvF(6.25, 6.25, 6.25); Calibrated: 2009-03-17
- Sensor-Surface: 4mm (Mechanical Surface Detection)
- Electronics: DAE4 Sn869; Calibrated: 2008-09-03
- Phantom: 835/900 Phantom ; Type: SAM

Right tilt 190/Area Scan (51x111x1): Measurement grid: dx=15mm, dy=15mm

[Info: Interpolated medium parameters used for SAR evaluation.](#)

Maximum value of SAR (interpolated) = 0.231 mW/g

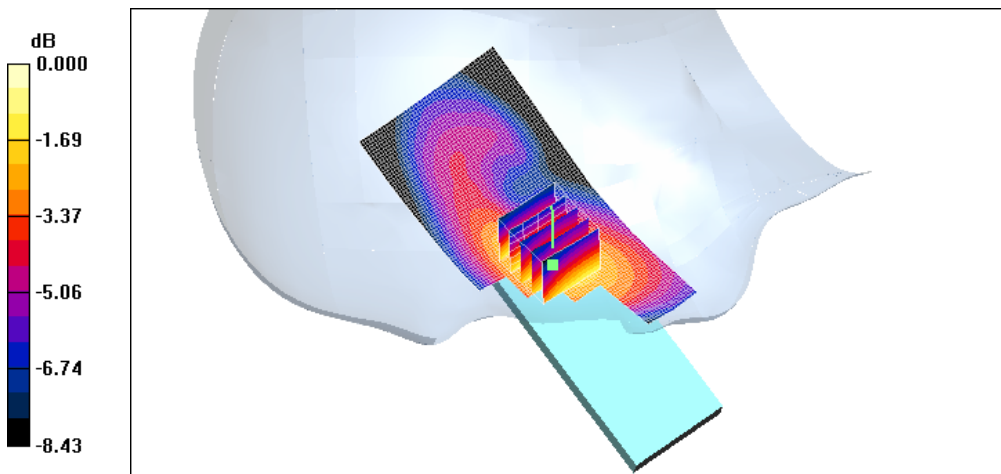
Right tilt 190/Zoom Scan (5x5x7)/Cube 0: Measurement grid: dx=8mm, dy=8mm, dz=5mm

Reference Value = 15.4 V/m; Power Drift = 0.102 dB

Peak SAR (extrapolated) = 0.389 W/kg

SAR(1 g) = 0.312 mW/g; SAR(10 g) = 0.237 mW/g

Maximum value of SAR (measured) = 0.325 mW/g



0 dB = 0.325mW/g

Test Laboratory: HCT CO., LTD
EUT Type: Dual-Band Dual-Mode CDMA/GSM Phone with Bluetooth
GPRS Class 10 and GPRS mode class B (GPRS and GSM, but not simultaneously)
Liquid Temperature: 21.3 °C
Ambient Temperature: 21.5 °C
Test Date: Apr.02, 2009

DUT: WP8990; Type: Folder; Serial: #1

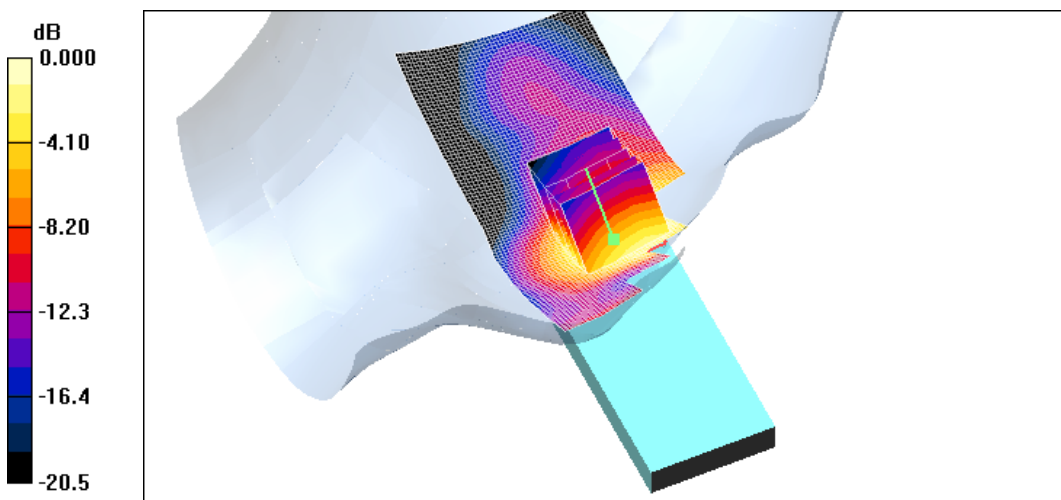
Communication System: GSM 1900; Frequency: 1880 MHz; Duty Cycle: 1:8.3
Medium parameters used: $f = 1880 \text{ MHz}$; $\sigma = 1.39 \text{ mho/m}$; $\epsilon_r = 39.2$; $\rho = 1000 \text{ kg/m}^3$
Phantom section: Left Section ; Measurement SW: DASY4, V4.7 Build 80; Postprocessing SW: SEMCAD, V1.8 Build 176

DASY4 Configuration:

- Probe: ET3DV6 - SN1609; ConvF(5.12, 5.12, 5.12); Calibrated: 2009-03-17
- Sensor-Surface: 4mm (Mechanical Surface Detection)
- Electronics: DAE4 Sn869; Calibrated: 2008-09-03
- Phantom: 1800/1900 Phantom; Type: SAM

Left touch 661/Area Scan (51x111x1): Measurement grid: dx=15mm, dy=15mm
Maximum value of SAR (interpolated) = 0.290 mW/g

Left touch 661/Zoom Scan (5x5x7)/Cube 0: Measurement grid: dx=8mm, dy=8mm, dz=5mm
Reference Value = 8.16 V/m; Power Drift = -0.073 dB
Peak SAR (extrapolated) = 0.369 W/kg
SAR(1 g) = 0.263 mW/g; SAR(10 g) = 0.162 mW/g
Maximum value of SAR (measured) = 0.279 mW/g



0 dB = 0.279mW/g

Test Laboratory: HCT CO., LTD
EUT Type: Dual-Band Dual-Mode CDMA/GSM Phone with Bluetooth
GPRS Class 10 and GPRS mode class B (GPRS and GSM, but not simultaneously)
Liquid Temperature: 21.3 °C
Ambient Temperature: 21.5 °C
Test Date: Apr.02, 2009

DUT: WP8990; Type: Folder; Serial: #1

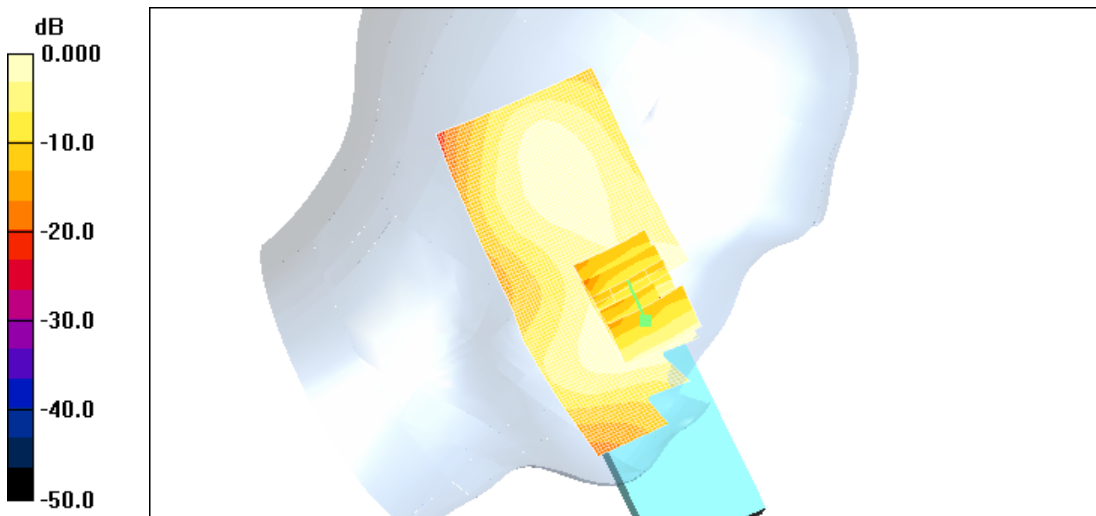
Communication System: GSM 1900; Frequency: 1880 MHz; Duty Cycle: 1:8.3
Medium parameters used: $f = 1880 \text{ MHz}$; $\sigma = 1.39 \text{ mho/m}$; $\epsilon_r = 39.2$; $\rho = 1000 \text{ kg/m}^3$
Phantom section: Left Section ; Measurement SW: DASY4, V4.7 Build 80; Postprocessing SW: SEMCAD, V1.8 Build 176

DASY4 Configuration:

- Probe: ET3DV6 - SN1609; ConvF(5.12, 5.12, 5.12); Calibrated: 2009-03-17
- Sensor-Surface: 4mm (Mechanical Surface Detection)
- Electronics: DAE4 Sn869; Calibrated: 2008-09-03
- Phantom: 1800/1900 Phantom; Type: SAM

Left tilt 661/Area Scan (51x111x1): Measurement grid: dx=15mm, dy=15mm
Maximum value of SAR (interpolated) = 0.038 mW/g

Left tilt 661/Zoom Scan (5x5x7)/Cube 0: Measurement grid: dx=8mm, dy=8mm, dz=5mm
Reference Value = 3.60 V/m; Power Drift = -0.114 dB
Peak SAR (extrapolated) = 0.051 W/kg
SAR(1 g) = 0.036 mW/g; SAR(10 g) = 0.023 mW/g
Maximum value of SAR (measured) = 0.039 mW/g



0 dB = 0.039mW/g

Test Laboratory: HCT CO., LTD
EUT Type: Dual-Band Dual-Mode CDMA/GSM Phone with Bluetooth
GPRS Class 10 and GPRS mode class B (GPRS and GSM, but not simultaneously)
Liquid Temperature: 21.3 °C
Ambient Temperature: 21.5 °C
Test Date: Apr.02, 2009

DUT: WP8990; Type: Folder; Serial: #1

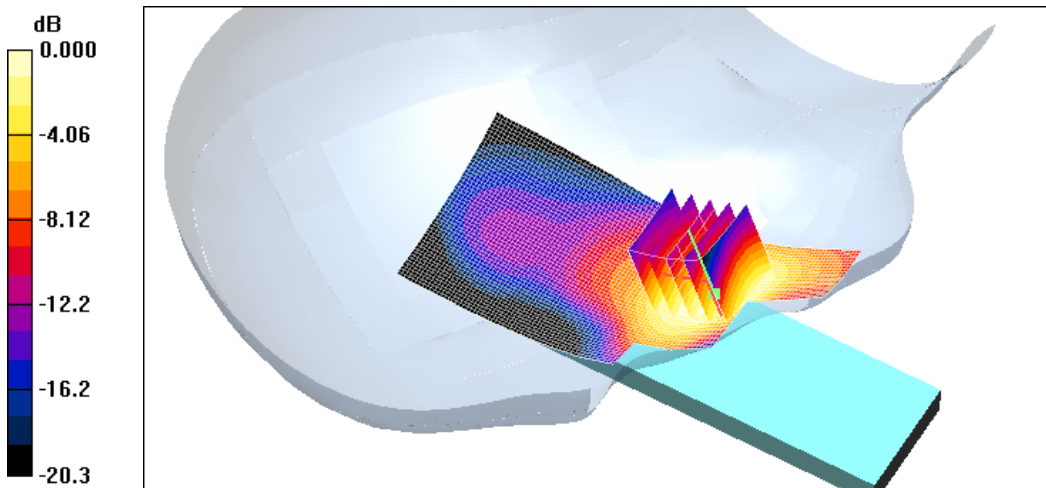
Communication System: GSM 1900; Frequency: 1880 MHz; Duty Cycle: 1:8.3
Medium parameters used: $f = 1880 \text{ MHz}$; $\sigma = 1.39 \text{ mho/m}$; $\epsilon_r = 39.2$; $\rho = 1000 \text{ kg/m}^3$
Phantom section: Right Section ; Measurement SW: DASY4, V4.7 Build 80; Postprocessing SW: SEMCAD, V1.8 Build 176

DASY4 Configuration:

- Probe: ET3DV6 - SN1609; ConvF(5.12, 5.12, 5.12); Calibrated: 2009-03-17
- Sensor-Surface: 4mm (Mechanical Surface Detection)
- Electronics: DAE4 Sn869; Calibrated: 2008-09-03
- Phantom: 1800/1900 Phantom; Type: SAM

Right touch 661/Area Scan (51x111x1): Measurement grid: dx=15mm, dy=15mm
Maximum value of SAR (interpolated) = 0.453 mW/g

Right touch 661/Zoom Scan (5x5x7)/Cube 0: Measurement grid: dx=8mm, dy=8mm, dz=5mm
Reference Value = 11.4 V/m; Power Drift = -0.198 dB
Peak SAR (extrapolated) = 0.579 W/kg
SAR(1 g) = 0.412 mW/g; SAR(10 g) = 0.255 mW/g
Maximum value of SAR (measured) = 0.452 mW/g



0 dB = 0.452mW/g

Test Laboratory: HCT CO., LTD
EUT Type: Dual-Band Dual-Mode CDMA/GSM Phone with Bluetooth
GPRS Class 10 and GPRS mode class B (GPRS and GSM, but not simultaneously)
Liquid Temperature: 21.3 °C
Ambient Temperature: 21.5 °C
Test Date: Apr.02, 2009
Option: Extended

DUT: WP8990; Type: Folder; Serial: #1

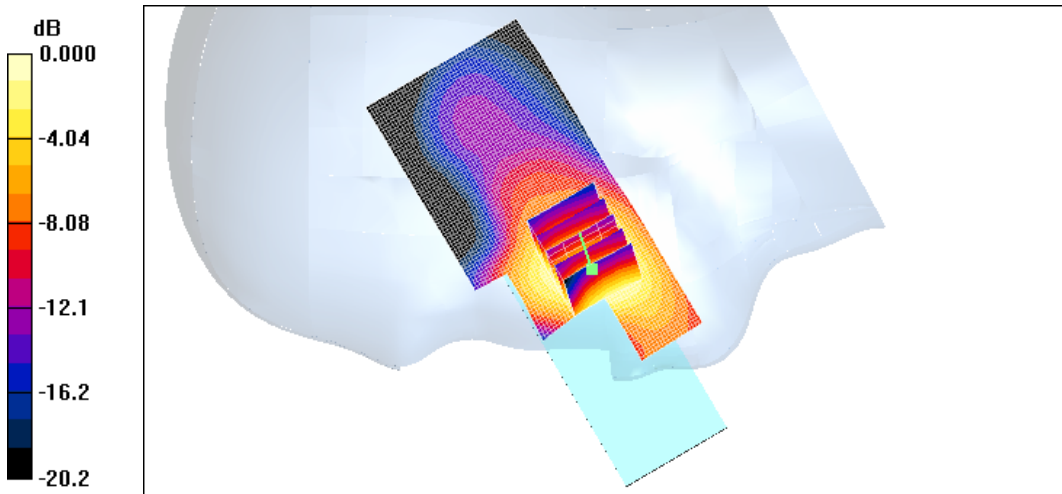
Communication System: GSM 1900; Frequency: 1880 MHz; Duty Cycle: 1:8.3
Medium parameters used: $f = 1880$ MHz; $\sigma = 1.39$ mho/m; $\epsilon_r = 39.2$; $\rho = 1000$ kg/m³
Phantom section: Right Section ; Measurement SW: DASY4, V4.7 Build 80; Postprocessing SW: SEMCAD, V1.8 Build 176

DASY4 Configuration:

- Probe: ET3DV6 - SN1609; ConvF(5.12, 5.12, 5.12); Calibrated: 2009-03-17
- Sensor-Surface: 4mm (Mechanical Surface Detection)
- Electronics: DAE4 Sn869; Calibrated: 2008-09-03
- Phantom: 1800/1900 Phantom; Type: SAM

Right touch 661/Area Scan (51x111x1): Measurement grid: dx=15mm, dy=15mm
Maximum value of SAR (interpolated) = 0.455 mW/g

Right touch 661/Zoom Scan (5x5x7)/Cube 0: Measurement grid: dx=8mm, dy=8mm, dz=5mm
Reference Value = 10.7 V/m; Power Drift = 0.052 dB
Peak SAR (extrapolated) = 0.598 W/kg
SAR(1 g) = 0.410 mW/g; SAR(10 g) = 0.251 mW/g
Maximum value of SAR (measured) = 0.450 mW/g



0 dB = 0.450mW/g

Test Laboratory: HCT CO., LTD
EUT Type: Dual-Band Dual-Mode CDMA/GSM Phone with Bluetooth
GPRS Class 10 and GPRS mode class B (GPRS and GSM, but not simultaneously)
Liquid Temperature: 21.3 °C
Ambient Temperature: 21.5 °C
Test Date: Apr.02, 2009

DUT: WP8990; Type: Folder; Serial: #1

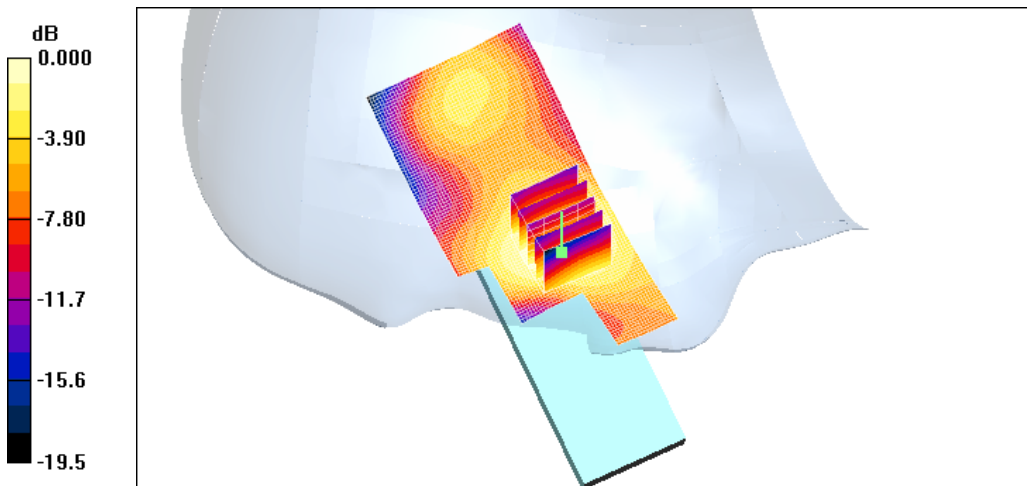
Communication System: GSM 1900; Frequency: 1880 MHz; Duty Cycle: 1:8.3
Medium parameters used: $f = 1880 \text{ MHz}$; $\sigma = 1.39 \text{ mho/m}$; $\epsilon_r = 39.2$; $\rho = 1000 \text{ kg/m}^3$
Phantom section: Right Section ; Measurement SW: DASY4, V4.7 Build 80; Postprocessing SW: SEMCAD, V1.8 Build 176

DASY4 Configuration:

- Probe: ET3DV6 - SN1609; ConvF(5.12, 5.12, 5.12); Calibrated: 2009-03-17
- Sensor-Surface: 4mm (Mechanical Surface Detection)
- Electronics: DAE4 Sn869; Calibrated: 2008-09-03
- Phantom: 1800/1900 Phantom; Type: SAM

Right tilt 661/Area Scan (51x111x1): Measurement grid: dx=15mm, dy=15mm
Maximum value of SAR (interpolated) = 0.082 mW/g

Right tilt 661/Zoom Scan (5x5x7)/Cube 0: Measurement grid: dx=8mm, dy=8mm, dz=5mm
Reference Value = 6.84 V/m; Power Drift = -0.016 dB
Peak SAR (extrapolated) = 0.105 W/kg
SAR(1 g) = 0.074 mW/g; SAR(10 g) = 0.046 mW/g
Maximum value of SAR (measured) = 0.079 mW/g



0 dB = 0.079mW/g

Test Laboratory: HCT CO., LTD
EUT Type: Dual-Band Dual-Mode CDMA/GSM Phone with Bluetooth
GPRS Class 10 and GPRS mode class B (GPRS and GSM, but not simultaneously)
Liquid Temperature: 21.3 °C
Ambient Temperature: 21.5 °C
Test Date: Apr.01, 2009

DUT: WP8990; Type: (body); Serial: #1

Communication System: CDMA 835MHz FCC; Frequency: 824.7 MHz; Duty Cycle: 1:1
Medium parameters used: $f = 825$ MHz; $\sigma = 0.981$ mho/m; $\epsilon_r = 54$; $\rho = 1000$ kg/m³
Phantom section: Flat Section ; Measurement SW: DASY4, V4.7 Build 80; Postprocessing SW: SEMCAD, V1.8 Build 176

DASY4 Configuration:

- Probe: ET3DV6 - SN1609; ConvF(6.08, 6.08, 6.08); Calibrated: 2009-03-17
- Sensor-Surface: 4mm (Mechanical Surface Detection)
- Electronics: DAE4 Sn869; Calibrated: 2008-09-03
- Phantom: 835/900 Phantom ; Type: SAM

CDMA Body 1013/Area Scan (61x81x1): Measurement grid: dx=15mm, dy=15mm

Maximum value of SAR (interpolated) = 1.44 mW/g

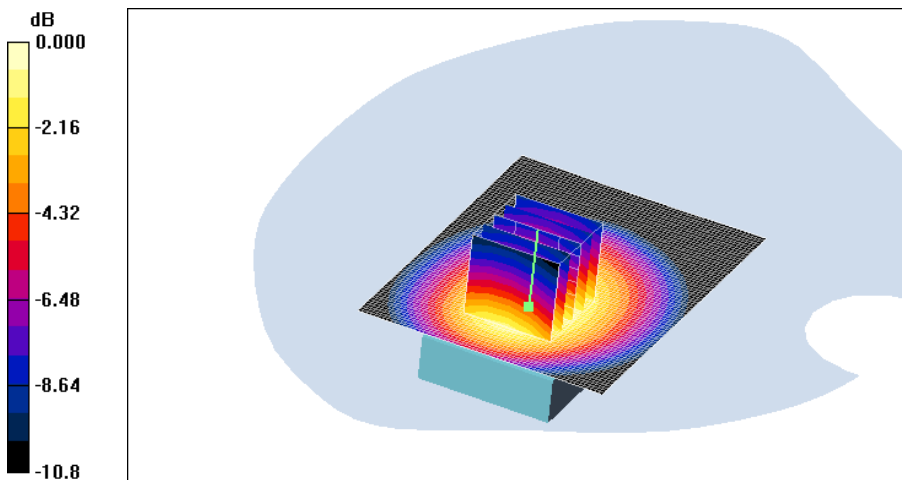
CDMA Body 1013/Zoom Scan (5x5x7)/Cube 0: Measurement grid: dx=8mm, dy=8mm, dz=5mm

Reference Value = 15.8 V/m; Power Drift = -0.057 dB

Peak SAR (extrapolated) = 1.81 W/kg

SAR(1 g) = 1.33 mW/g; SAR(10 g) = 0.921 mW/g

Maximum value of SAR (measured) = 1.42 mW/g



0 dB = 1.42mW/g

Test Laboratory: HCT CO., LTD
EUT Type: Dual-Band Dual-Mode CDMA/GSM Phone with Bluetooth
GPRS Class 10 and GPRS mode class B (GPRS and GSM, but not simultaneously)
Liquid Temperature: 21.3 °C
Ambient Temperature: 21.5 °C
Test Date: Apr.01, 2009

DUT: WP8990; Type: (body); Serial: #1

Communication System: CDMA 835MHz FCC; Frequency: 836.52 MHz; Duty Cycle: 1:1
Medium parameters used (interpolated): $f = 836.52$ MHz; $\sigma = 0.99$ mho/m; $\epsilon_r = 53.9$; $\rho = 1000$ kg/m³
Phantom section: Flat Section ; Measurement SW: DASY4, V4.7 Build 80; Postprocessing SW: SEMCAD, V1.8 Build 176

DASY4 Configuration:

- Probe: ET3DV6 - SN1609; ConvF(6.08, 6.08, 6.08); Calibrated: 2009-03-17
- Sensor-Surface: 4mm (Mechanical Surface Detection)
- Electronics: DAE4 Sn869; Calibrated: 2008-09-03
- Phantom: 835/900 Phantom ; Type: SAM

CDMA Body 384/Area Scan (61x81x1): Measurement grid: dx=15mm, dy=15mmInfo: [Interpolated medium parameters used for SAR evaluation.](#)

Maximum value of SAR (interpolated) = 1.34 mW/g

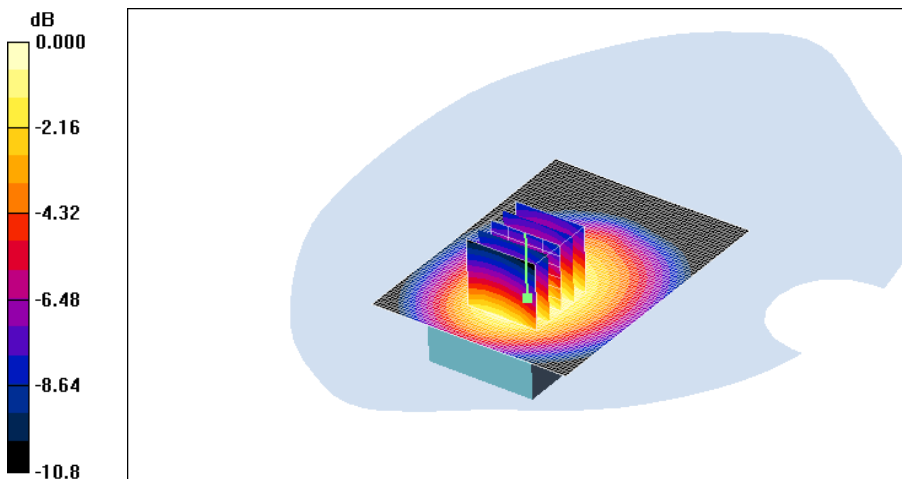
CDMA Body 384/Zoom Scan (5x5x7)/Cube 0: Measurement grid: dx=8mm, dy=8mm, dz=5mm

Reference Value = 16.9 V/m; Power Drift = -0.114 dB

Peak SAR (extrapolated) = 1.71 W/kg

SAR(1 g) = 1.25 mW/g; SAR(10 g) = 0.876 mW/g

Maximum value of SAR (measured) = 1.33 mW/g



0 dB = 1.33mW/g

Test Laboratory: HCT CO., LTD
EUT Type: Dual-Band Dual-Mode CDMA/GSM Phone with Bluetooth
GPRS Class 10 and GPRS mode class B (GPRS and GSM, but not simultaneously)
Liquid Temperature: 21.3 °C
Ambient Temperature: 21.5 °C
Test Date: Apr.01, 2009

DUT: WP8990; Type: (body); Serial: #1

Communication System: CDMA 835MHz FCC; Frequency: 848.31 MHz; Duty Cycle: 1:1
Medium parameters used (interpolated): $f = 848.31 \text{ MHz}$; $\sigma = 1 \text{ mho/m}$; $\epsilon_r = 53.8$; $\rho = 1000 \text{ kg/m}^3$
Phantom section: Flat Section ; Measurement SW: DASY4, V4.7 Build 80; Postprocessing SW: SEMCAD, V1.8 Build 176

DASY4 Configuration:

- Probe: ET3DV6 - SN1609; ConvF(6.08, 6.08, 6.08); Calibrated: 2009-03-17
- Sensor-Surface: 4mm (Mechanical Surface Detection)
- Electronics: DAE4 Sn869; Calibrated: 2008-09-03
- Phantom: 835/900 Phantom ; Type: SAM

CDMA Body 777/Area Scan (61x81x1): Measurement grid: dx=15mm, dy=15mm

[Info: Interpolated medium parameters used for SAR evaluation.](#)

Maximum value of SAR (interpolated) = 1.16 mW/g

CDMA Body 777/Zoom Scan (5x5x7)/Cube 0: Measurement grid: dx=8mm, dy=8mm, dz=5mm

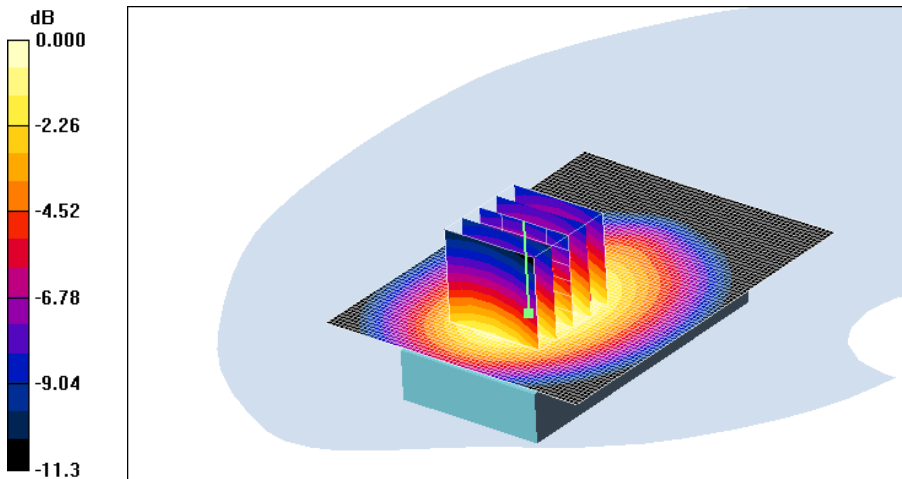
Reference Value = 15.1 V/m; Power Drift = -0.076 dB

Peak SAR (extrapolated) = 1.49 W/kg

SAR(1 g) = 1.08 mW/g; SAR(10 g) = 0.746 mW/g

[Info: Interpolated medium parameters used for SAR evaluation.](#)

Maximum value of SAR (measured) = 1.15 mW/g



Test Laboratory: HCT CO., LTD
EUT Type: Dual-Band Dual-Mode CDMA/GSM Phone with Bluetooth
GPRS Class 10 and GPRS mode class B (GPRS and GSM, but not simultaneously)
Liquid Temperature: 21.3 °C
Ambient Temperature: 21.5 °C
Test Date: Apr.01, 2009

DUT: WP8990; Type: (body); Serial: #1

Communication System: CDMA 835MHz FCC; Frequency: 824.7 MHz; Duty Cycle: 1:1
Medium parameters used: $f = 825$ MHz; $\sigma = 0.981$ mho/m; $\epsilon_r = 54$; $\rho = 1000$ kg/m³
Phantom section: Flat Section ; Measurement SW: DASY4, V4.7 Build 80; Postprocessing SW: SEMCAD, V1.8 Build 176

DASY4 Configuration:

- Probe: ET3DV6 - SN1609; ConvF(6.08, 6.08, 6.08); Calibrated: 2009-03-17
- Sensor-Surface: 4mm (Mechanical Surface Detection)
- Electronics: DAE4 Sn869; Calibrated: 2008-09-03
- Phantom: 835/900 Phantom ; Type: SAM

CDMA Body 1013/Area Scan (61x81x1): Measurement grid: dx=15mm, dy=15mm

Maximum value of SAR (interpolated) = 0.573 mW/g

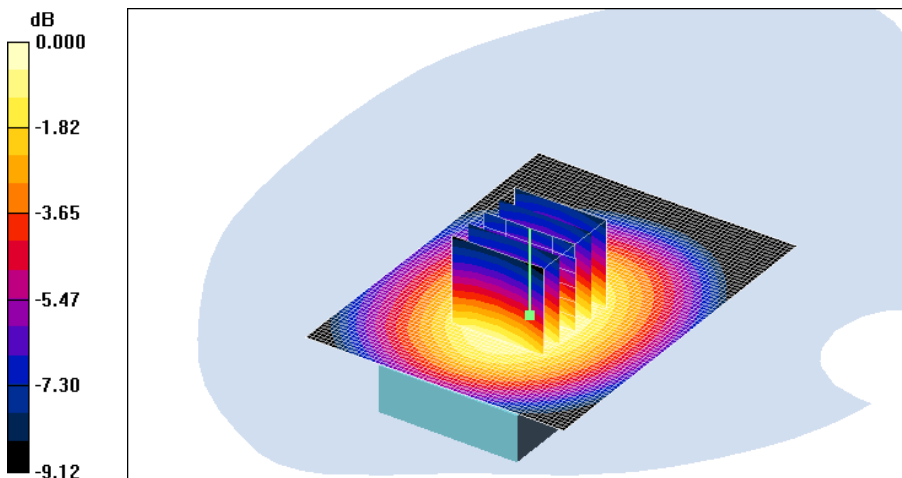
CDMA Body 1013/Zoom Scan (5x5x7)/Cube 0: Measurement grid: dx=8mm, dy=8mm, dz=5mm

Reference Value = 14.1 V/m; Power Drift = 0.058 dB

Peak SAR (extrapolated) = 0.727 W/kg

SAR(1 g) = 0.549 mW/g; SAR(10 g) = 0.395 mW/g

Maximum value of SAR (measured) = 0.584 mW/g



Test Laboratory: HCT CO., LTD
EUT Type: Dual-Band Dual-Mode CDMA/GSM Phone with Bluetooth
GPRS Class 10 and GPRS mode class B (GPRS and GSM, but not simultaneously)
Liquid Temperature: 21.3 °C
Ambient Temperature: 21.5 °C
Test Date: Apr.01, 2009
Option: Extended

DUT: WP8990; Type: (body); Serial: #1

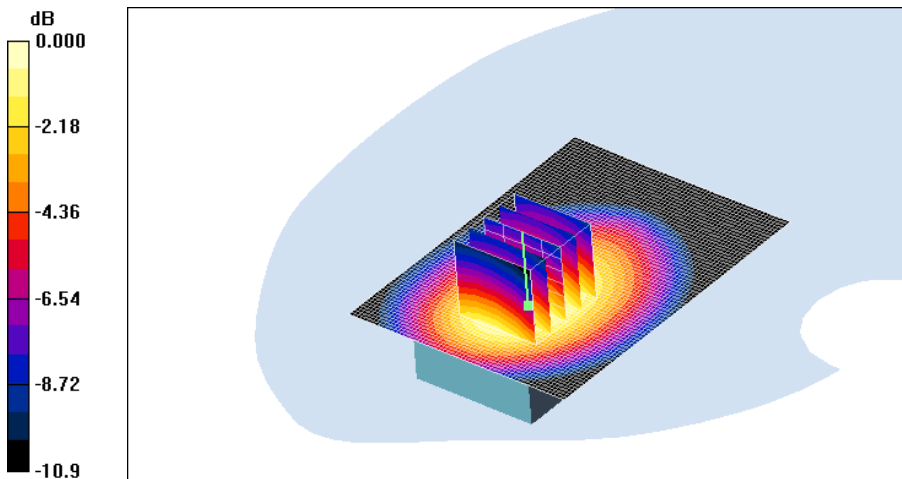
Communication System: CDMA 835MHz FCC; Frequency: 824.7 MHz; Duty Cycle: 1:1
Medium parameters used: $f = 825$ MHz; $\sigma = 0.981$ mho/m; $\epsilon_r = 54$; $\rho = 1000$ kg/m³
Phantom section: Flat Section ; Measurement SW: DASY4, V4.7 Build 80; Postprocessing SW: SEMCAD, V1.8 Build 176

DASY4 Configuration:

- Probe: ET3DV6 - SN1609; ConvF(6.08, 6.08, 6.08); Calibrated: 2009-03-17
- Sensor-Surface: 4mm (Mechanical Surface Detection)
- Electronics: DAE4 Sn869; Calibrated: 2008-09-03
- Phantom: 835/900 Phantom ; Type: SAM

CDMA Body 1013/Area Scan (61x81x1): Measurement grid: dx=15mm, dy=15mm
Maximum value of SAR (interpolated) = 1.42 mW/g

CDMA Body 1013/Zoom Scan (5x5x7)/Cube 0: Measurement grid: dx=8mm, dy=8mm, dz=5mm
Reference Value = 15.9 V/m; Power Drift = -0.089 dB
Peak SAR (extrapolated) = 1.77 W/kg
SAR(1 g) = 1.32 mW/g; SAR(10 g) = 0.921 mW/g
Maximum value of SAR (measured) = 1.40 mW/g



Test Laboratory: HCT CO., LTD
EUT Type: Dual-Band Dual-Mode CDMA/GSM Phone with Bluetooth
GPRS Class 10 and GPRS mode class B (GPRS and GSM, but not simultaneously)
Liquid Temperature: 21.3 °C
Ambient Temperature: 21.5 °C
Test Date: Apr.02, 2009

DUT: WP8990; Type: (body); Serial: #1

Communication System: PCS 1900; Frequency: 1851.25 MHz; Duty Cycle: 1:1
Medium parameters used (interpolated): $f = 1851.25$ MHz; $\sigma = 1.52$ mho/m; $\epsilon_r = 53.2$; $\rho = 1000$ kg/m³
Phantom section: Flat Section ; Measurement SW: DASY4, V4.7 Build 80; Postprocessing SW: SEMCAD, V1.8 Build 176

DASY4 Configuration:

- Probe: ET3DV6 - SN1609; ConvF(4.61, 4.61, 4.61); Calibrated: 2009-03-17
- Sensor-Surface: 4mm (Mechanical Surface Detection)
- Electronics: DAE4 Sn869; Calibrated: 2008-09-03
- Phantom: 1800/1900 Phantom; Type: SAM

PCS Body 25/Area Scan (61x81x1): Measurement grid: dx=15mm, dy=15mm

[Info: Interpolated medium parameters used for SAR evaluation.](#)

Maximum value of SAR (interpolated) = 0.962 mW/g

PCS Body 25/Zoom Scan (5x5x7)/Cube 0: Measurement grid: dx=8mm, dy=8mm, dz=5mm

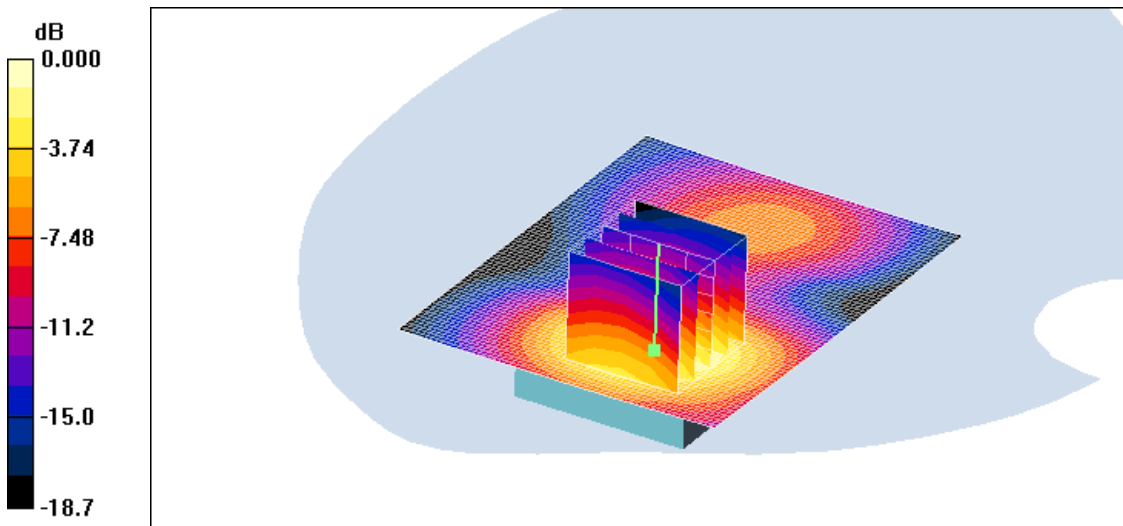
Reference Value = 11.9 V/m; Power Drift = -0.027 dB

Peak SAR (extrapolated) = 1.21 W/kg

SAR(1 g) = 0.893 mW/g; SAR(10 g) = 0.518 mW/g

[Info: Interpolated medium parameters used for SAR evaluation.](#)

Maximum value of SAR (measured) = 1.00 mW/g



0 dB = 1.00mW/g

Test Laboratory: HCT CO., LTD
EUT Type: Dual-Band Dual-Mode CDMA/GSM Phone with Bluetooth
GPRS Class 10 and GPRS mode class B (GPRS and GSM, but not simultaneously)
Liquid Temperature: 21.3 °C
Ambient Temperature: 21.5 °C
Test Date: Apr.02, 2009

DUT: WP8990; Type: (body); Serial: #1

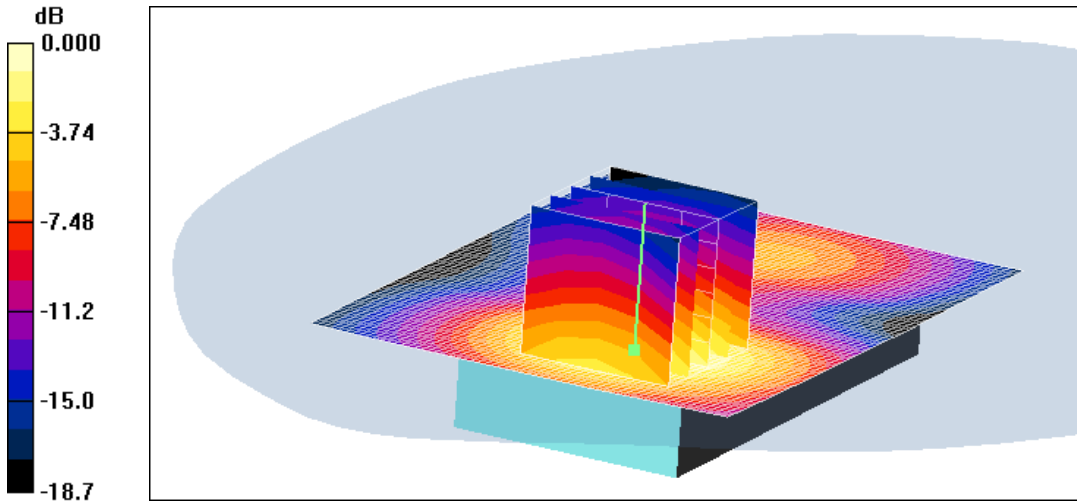
Communication System: PCS 1900; Frequency: 1880 MHz; Duty Cycle: 1:1
Medium parameters used: $f = 1880$ MHz; $\sigma = 1.53$ mho/m; $\epsilon_r = 53.3$; $\rho = 1000$ kg/m³
Phantom section: Flat Section ; Measurement SW: DASY4, V4.7 Build 80; Postprocessing SW: SEMCAD, V1.8 Build 176

DASY4 Configuration:

- Probe: ET3DV6 - SN1609; ConvF(4.61, 4.61, 4.61); Calibrated: 2009-03-17
- Sensor-Surface: 4mm (Mechanical Surface Detection)
- Electronics: DAE4 Sn869; Calibrated: 2008-09-03
- Phantom: 1800/1900 Phantom; Type: SAM

PCS Body 600/Area Scan (61x81x1): Measurement grid: dx=15mm, dy=15mm
Maximum value of SAR (interpolated) = 1.10 mW/g

PCS Body 600/Zoom Scan (5x5x7)/Cube 0: Measurement grid: dx=8mm, dy=8mm, dz=5mm
Reference Value = 13.8 V/m; Power Drift = -0.075 dB
Peak SAR (extrapolated) = 1.38 W/kg
SAR(1 g) = 1 mW/g; SAR(10 g) = 0.575 mW/g
Maximum value of SAR (measured) = 1.13 mW/g



0 dB = 1.13mW/g

Test Laboratory: HCT CO., LTD
EUT Type: Dual-Band Dual-Mode CDMA/GSM Phone with Bluetooth
GPRS Class 10 and GPRS mode class B (GPRS and GSM, but not simultaneously)
Liquid Temperature: 21.3 °C
Ambient Temperature: 21.5 °C
Test Date: Apr.02, 2009

DUT: WP8990; Type: (body); Serial: #1

Communication System: PCS 1900; Frequency: 1908.75 MHz; Duty Cycle: 1:1
Medium parameters used (interpolated): $f = 1908.75$ MHz; $\sigma = 1.5$ mho/m; $\epsilon_r = 52.9$; $\rho = 1000$ kg/m³
Phantom section: Flat Section ; Measurement SW: DASY4, V4.7 Build 80; Postprocessing SW: SEMCAD, V1.8 Build 176

DASY4 Configuration:

- Probe: ET3DV6 - SN1609; ConvF(4.61, 4.61, 4.61); Calibrated: 2009-03-17
- Sensor-Surface: 4mm (Mechanical Surface Detection)
- Electronics: DAE4 Sn869; Calibrated: 2008-09-03
- Phantom: 1800/1900 Phantom; Type: SAM

PCS Body 1175/Area Scan (61x81x1): Measurement grid: dx=15mm, dy=15mm

[Info: Interpolated medium parameters used for SAR evaluation.](#)

Maximum value of SAR (interpolated) = 0.948 mW/g

PCS Body 1175/Zoom Scan (5x5x7)/Cube 0: Measurement grid: dx=8mm, dy=8mm, dz=5mm

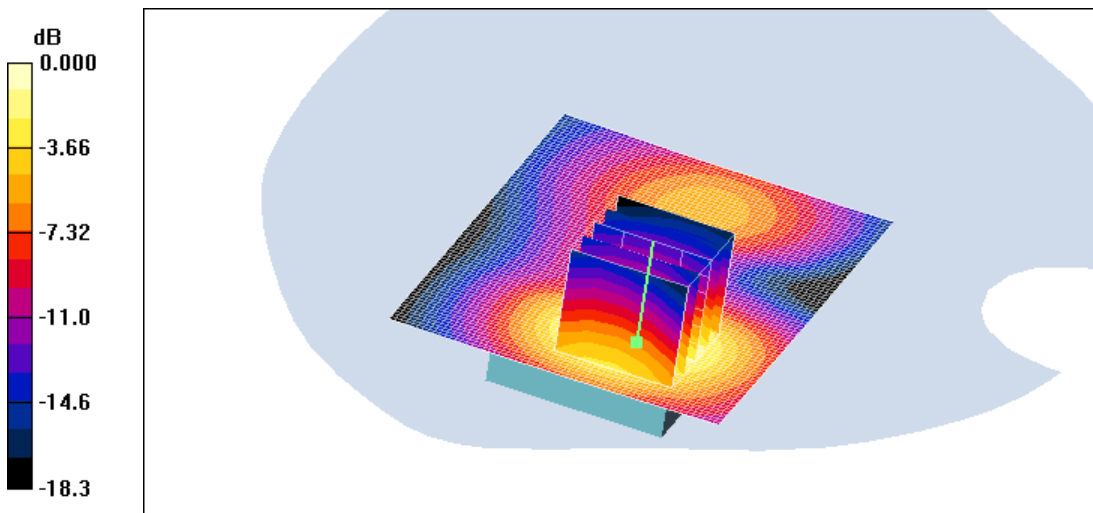
Reference Value = 13.9 V/m; Power Drift = -0.175 dB

Peak SAR (extrapolated) = 1.17 W/kg

SAR(1 g) = 0.856 mW/g; SAR(10 g) = 0.493 mW/g

[Info: Interpolated medium parameters used for SAR evaluation.](#)

Maximum value of SAR (measured) = 0.961 mW/g



0 dB = 0.961 mW/g

Test Laboratory: HCT CO., LTD
EUT Type: Dual-Band Dual-Mode CDMA/GSM Phone with Bluetooth
GPRS Class 10 and GPRS mode class B (GPRS and GSM, but not simultaneously)
Liquid Temperature: 21.3 °C
Ambient Temperature: 21.5 °C
Test Date: Apr.02, 2009

DUT: WP8990; Type: (body); Serial: #1

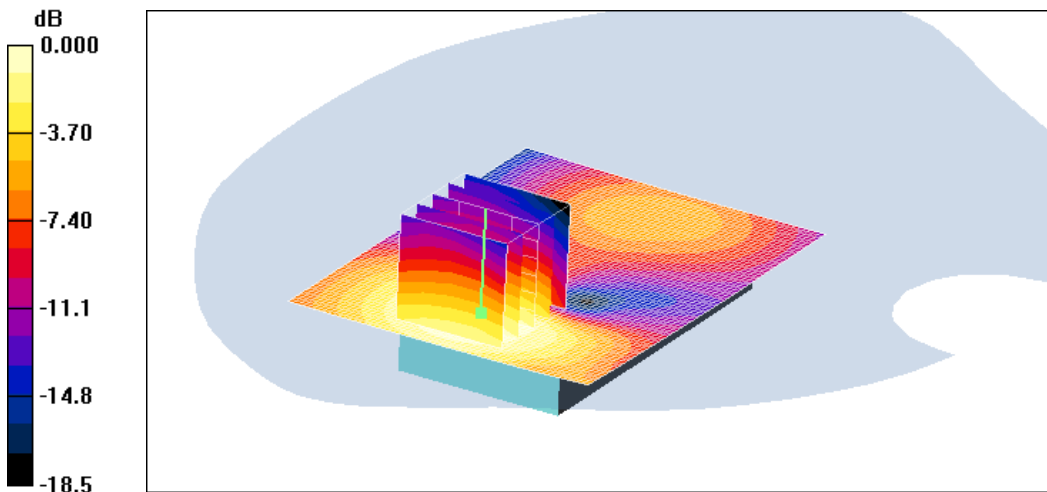
Communication System: PCS 1900; Frequency: 1880 MHz; Duty Cycle: 1:1
Medium parameters used: $f = 1880$ MHz; $\sigma = 1.53$ mho/m; $\epsilon_r = 53.3$; $\rho = 1000$ kg/m³
Phantom section: Flat Section ; Measurement SW: DASY4, V4.7 Build 80; Postprocessing SW: SEMCAD, V1.8 Build 176

DASY4 Configuration:

- Probe: ET3DV6 - SN1609; ConvF(4.61, 4.61, 4.61); Calibrated: 2009-03-17
- Sensor-Surface: 4mm (Mechanical Surface Detection)
- Electronics: DAE4 Sn869; Calibrated: 2008-09-03
- Phantom: 1800/1900 Phantom; Type: SAM

PCS Body 600/Area Scan (61x81x1): Measurement grid: dx=15mm, dy=15mm
Maximum value of SAR (interpolated) = 0.343 mW/g

PCS Body 600/Zoom Scan (5x5x7)/Cube 0: Measurement grid: dx=8mm, dy=8mm, dz=5mm
Reference Value = 8.28 V/m; Power Drift = -0.168 dB
Peak SAR (extrapolated) = 0.368 W/kg
SAR(1 g) = 0.271 mW/g; SAR(10 g) = 0.170 mW/g
Maximum value of SAR (measured) = 0.292 mW/g



0 dB = 0.292mW/g

Test Laboratory: HCT CO., LTD
EUT Type: Dual-Band Dual-Mode CDMA/GSM Phone with Bluetooth
GPRS Class 10 and GPRS mode class B (GPRS and GSM, but not simultaneously)
Liquid Temperature: 21.3 °C
Ambient Temperature: 21.5 °C
Test Date: Apr.02, 2009
Option: Extended

DUT: WP8990; Type: (body); Serial: #1

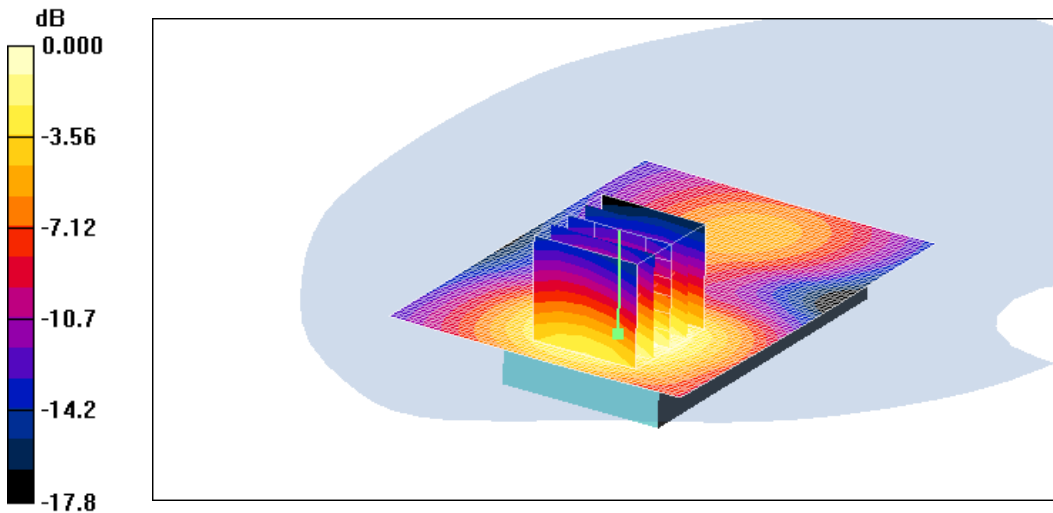
Communication System: PCS 1900; Frequency: 1880 MHz; Duty Cycle: 1:1
Medium parameters used: $f = 1880$ MHz; $\sigma = 1.53$ mho/m; $\epsilon_r = 53.3$; $\rho = 1000$ kg/m³
Phantom section: Flat Section ; Measurement SW: DASY4, V4.7 Build 80; Postprocessing SW: SEMCAD, V1.8 Build 176

DASY4 Configuration:

- Probe: ET3DV6 - SN1609; ConvF(4.61, 4.61, 4.61); Calibrated: 2009-03-17
- Sensor-Surface: 4mm (Mechanical Surface Detection)
- Electronics: DAE4 Sn869; Calibrated: 2008-09-03
- Phantom: 1800/1900 Phantom; Type: SAM

PCS Body 600/Area Scan (61x81x1): Measurement grid: dx=15mm, dy=15mm
Maximum value of SAR (interpolated) = 0.848 mW/g

PCS Body 600/Zoom Scan (5x5x7)/Cube 0: Measurement grid: dx=8mm, dy=8mm, dz=5mm
Reference Value = 13.7 V/m; Power Drift = -0.188 dB
Peak SAR (extrapolated) = 0.991 W/kg
SAR(1 g) = 0.757 mW/g; SAR(10 g) = 0.453 mW/g
Maximum value of SAR (measured) = 0.847 mW/g



0 dB = 0.847mW/g

Test Laboratory: HCT CO., LTD
EUT Type: Dual-Band Dual-Mode CDMA/GSM Phone with Bluetooth
GPRS Class 10 and GPRS mode class B (GPRS and GSM, but not simultaneously)
Liquid Temperature: 21.3 °C
Ambient Temperature: 21.5 °C
Test Date: Apr.01, 2009

DUT: WP8990; Type: (body); Serial: #1

Communication System: GSM 850; Frequency: 824.2 MHz; Duty Cycle: 1:8.3
Medium parameters used: $f = 825$ MHz; $\sigma = 0.981$ mho/m; $\epsilon_r = 54$; $\rho = 1000$ kg/m³
Phantom section: Flat Section ; Measurement SW: DASY4, V4.7 Build 80; Postprocessing SW: SEMCAD, V1.8 Build 176

DASY4 Configuration:

- Probe: ET3DV6 - SN1609; ConvF(6.08, 6.08, 6.08); Calibrated: 2009-03-17
- Sensor-Surface: 4mm (Mechanical Surface Detection)
- Electronics: DAE4 Sn869; Calibrated: 2008-09-03
- Phantom: 835/900 Phantom ; Type: SAM

GSM Body 128/Area Scan (61x81x1): Measurement grid: dx=15mm, dy=15mm

Maximum value of SAR (interpolated) = 0.769 mW/g

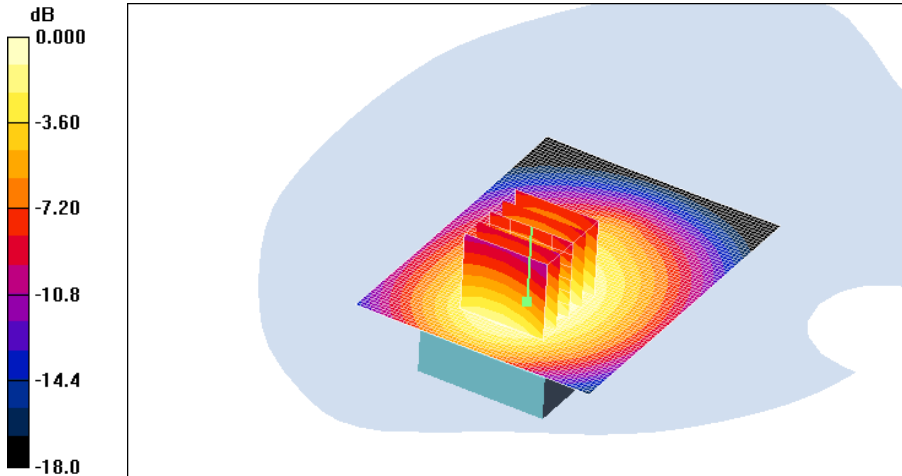
GSM Body 128/Zoom Scan (5x5x7)/Cube 0: Measurement grid: dx=8mm, dy=8mm, dz=5mm

Reference Value = 12.2 V/m; Power Drift = 0.012 dB

Peak SAR (extrapolated) = 0.933 W/kg

SAR(1 g) = 0.710 mW/g; SAR(10 g) = 0.489 mW/g

Maximum value of SAR (measured) = 0.753 mW/g



Test Laboratory: HCT CO., LTD
EUT Type: Dual-Band Dual-Mode CDMA/GSM Phone with Bluetooth
GPRS Class 10 and GPRS mode class B (GPRS and GSM, but not simultaneously)
Liquid Temperature: 21.3 °C
Ambient Temperature: 21.5 °C
Test Date: Apr.01, 2009

DUT: WP8990; Type: (body); Serial: #1

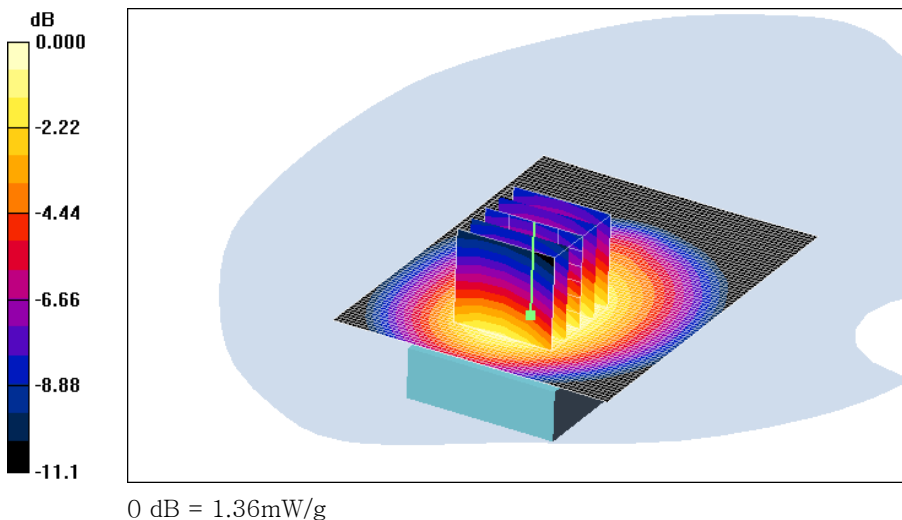
Communication System: GSM 850; Frequency: 824.2 MHz; Duty Cycle: 1:4.15
Medium parameters used: $f = 825$ MHz; $\sigma = 0.981$ mho/m; $\epsilon_r = 54$; $\rho = 1000$ kg/m³
Phantom section: Flat Section ; Measurement SW: DASY4, V4.7 Build 80; Postprocessing SW: SEMCAD, V1.8 Build 176

DASY4 Configuration:

- Probe: ET3DV6 - SN1609; ConvF(6.08, 6.08, 6.08); Calibrated: 2009-03-17
- Sensor-Surface: 4mm (Mechanical Surface Detection)
- Electronics: DAE4 Sn869; Calibrated: 2008-09-03
- Phantom: 835/900 Phantom ; Type: SAM

GSM Body 128/Area Scan (61x81x1): Measurement grid: dx=15mm, dy=15mm
Maximum value of SAR (interpolated) = 1.36 mW/g

GSM Body 128/Zoom Scan (5x5x7)/Cube 0: Measurement grid: dx=8mm, dy=8mm, dz=5mm
Reference Value = 16.3 V/m; Power Drift = -0.028 dB
Peak SAR (extrapolated) = 1.73 W/kg
SAR(1 g) = 1.27 mW/g; SAR(10 g) = 0.883 mW/g
Maximum value of SAR (measured) = 1.36 mW/g



Test Laboratory: HCT CO., LTD
EUT Type: Dual-Band Dual-Mode CDMA/GSM Phone with Bluetooth
GPRS Class 10 and GPRS mode class B (GPRS and GSM, but not simultaneously)
Liquid Temperature: 21.3 °C
Ambient Temperature: 21.5 °C
Test Date: Apr.01, 2009

DUT: WP8990; Type: (body); Serial: #1

Communication System: GSM 850; Frequency: 836.6 MHz; Duty Cycle: 1:4.15
Medium parameters used (interpolated): $f = 836.6$ MHz; $\sigma = 0.99$ mho/m; $\epsilon_r = 53.9$; $\rho = 1000$ kg/m³
Phantom section: Flat Section ; Measurement SW: DASY4, V4.7 Build 80; Postprocessing SW: SEMCAD, V1.8 Build 176

DASY4 Configuration:

- Probe: ET3DV6 - SN1609; ConvF(6.08, 6.08, 6.08); Calibrated: 2009-03-17
- Sensor-Surface: 4mm (Mechanical Surface Detection)
- Electronics: DAE4 Sn869; Calibrated: 2008-09-03
- Phantom: 835/900 Phantom ; Type: SAM

GSM Body 190/Area Scan (61x81x1): Measurement grid: dx=15mm, dy=15mm

[Info: Interpolated medium parameters used for SAR evaluation.](#)

Maximum value of SAR (interpolated) = 1.11 mW/g

GSM Body 190/Zoom Scan (5x5x7)/Cube 0: Measurement grid: dx=8mm, dy=8mm, dz=5mm

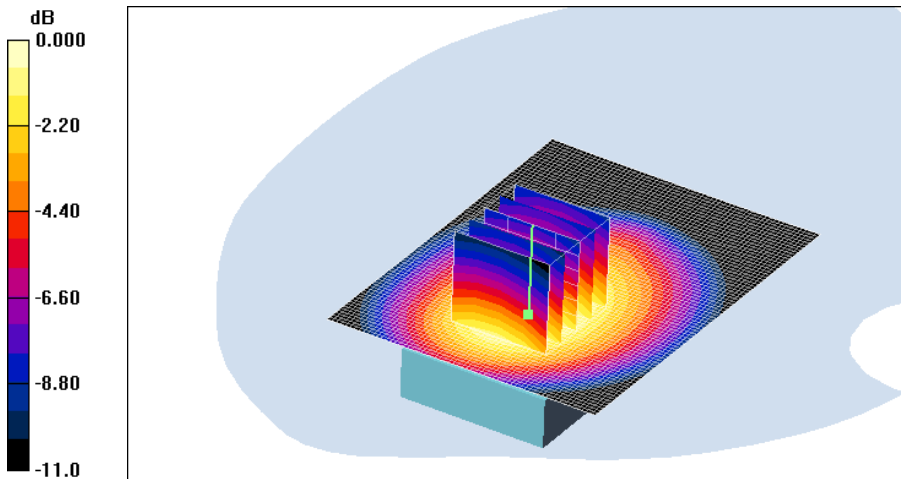
Reference Value = 15.0 V/m; Power Drift = -0.067 dB

Peak SAR (extrapolated) = 1.42 W/kg

SAR(1 g) = 1.04 mW/g; SAR(10 g) = 0.723 mW/g

[Info: Interpolated medium parameters used for SAR evaluation.](#)

Maximum value of SAR (measured) = 1.11 mW/g



Test Laboratory: HCT CO., LTD
EUT Type: Dual-Band Dual-Mode CDMA/GSM Phone with Bluetooth
GPRS Class 10 and GPRS mode class B (GPRS and GSM, but not simultaneously)
Liquid Temperature: 21.3 °C
Ambient Temperature: 21.5 °C
Test Date: Apr.01, 2009

DUT: WP8990; Type: (body); Serial: #1

Communication System: GSM 850; Frequency: 848.8 MHz; Duty Cycle: 1:4.15
Medium parameters used (interpolated): $f = 848.8$ MHz; $\sigma = 1$ mho/m; $\epsilon_r = 53.8$; $\rho = 1000$ kg/m³
Phantom section: Flat Section ; Measurement SW: DASY4, V4.7 Build 80; Postprocessing SW: SEMCAD, V1.8 Build 176

DASY4 Configuration:

- Probe: ET3DV6 - SN1609; ConvF(6.08, 6.08, 6.08); Calibrated: 2009-03-17
- Sensor-Surface: 4mm (Mechanical Surface Detection)
- Electronics: DAE4 Sn869; Calibrated: 2008-09-03
- Phantom: 835/900 Phantom ; Type: SAM

GSM Body 251/Area Scan (61x81x1): Measurement grid: dx=15mm, dy=15mm

[Info: Interpolated medium parameters used for SAR evaluation.](#)

Maximum value of SAR (interpolated) = 0.999 mW/g

GSM Body 251/Zoom Scan (5x5x7)/Cube 0: Measurement grid: dx=8mm, dy=8mm, dz=5mm

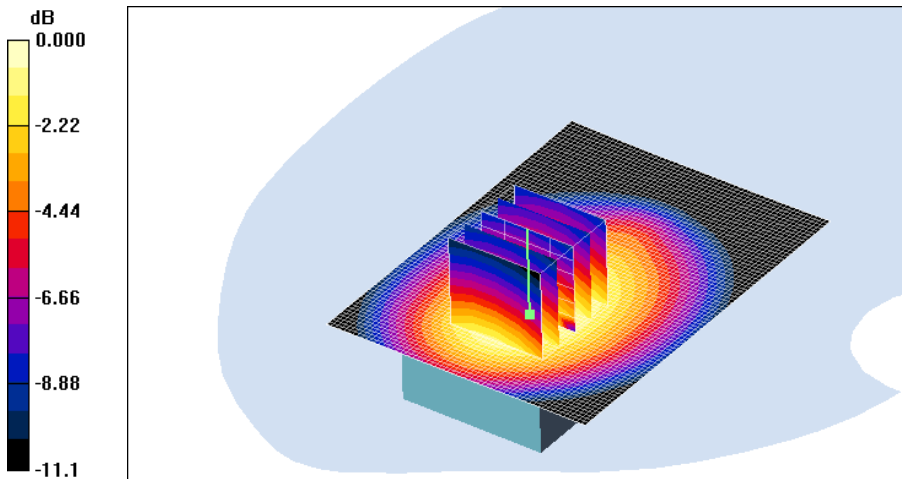
Reference Value = 14.3 V/m; Power Drift = -0.032 dB

Peak SAR (extrapolated) = 1.29 W/kg

SAR(1 g) = 0.946 mW/g; SAR(10 g) = 0.651 mW/g

[Info: Interpolated medium parameters used for SAR evaluation.](#)

Maximum value of SAR (measured) = 0.996 mW/g



0 dB = 0.996mW/g

Test Laboratory: HCT CO., LTD
EUT Type: Dual-Band Dual-Mode CDMA/GSM Phone with Bluetooth
GPRS Class 10 and GPRS mode class B (GPRS and GSM, but not simultaneously)
Liquid Temperature: 21.3 °C
Ambient Temperature: 21.5 °C
Test Date: Apr.01, 2009

DUT: WP8990; Type: (body); Serial: #1

Communication System: GSM 850; Frequency: 824.2 MHz; Duty Cycle: 1:4.15
Medium parameters used: $f = 825$ MHz; $\sigma = 0.981$ mho/m; $\epsilon_r = 54$; $\rho = 1000$ kg/m³
Phantom section: Flat Section ; Measurement SW: DASY4, V4.7 Build 80; Postprocessing SW: SEMCAD, V1.8 Build 176

DASY4 Configuration:

- Probe: ET3DV6 - SN1609; ConvF(6.08, 6.08, 6.08); Calibrated: 2009-03-17
- Sensor-Surface: 4mm (Mechanical Surface Detection)
- Electronics: DAE4 Sn869; Calibrated: 2008-09-03
- Phantom: 835/900 Phantom ; Type: SAM

GSM Body 128/Area Scan (61x81x1): Measurement grid: dx=15mm, dy=15mm

Maximum value of SAR (interpolated) = 0.652 mW/g

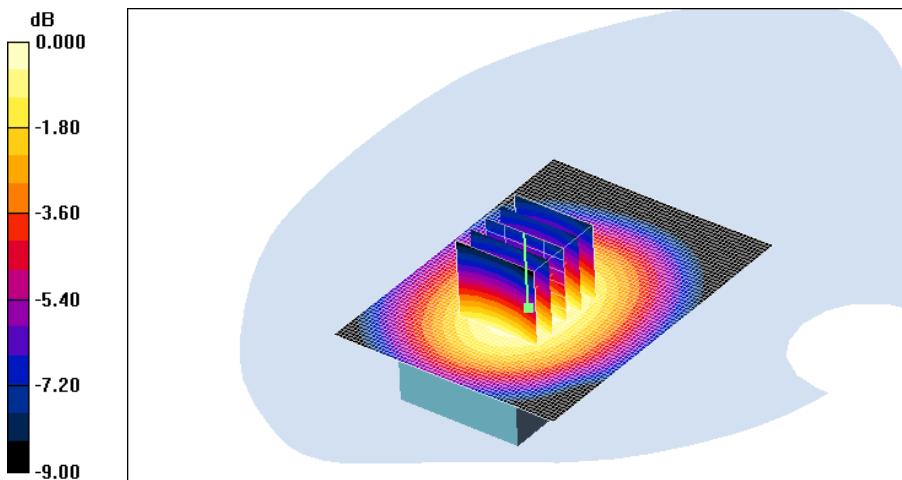
GSM Body 128/Zoom Scan (5x5x7)/Cube 0: Measurement grid: dx=8mm, dy=8mm, dz=5mm

Reference Value = 15.5 V/m; Power Drift = -0.053 dB

Peak SAR (extrapolated) = 0.793 W/kg

SAR(1 g) = 0.611 mW/g; SAR(10 g) = 0.441 mW/g

Maximum value of SAR (measured) = 0.646 mW/g



0 dB = 0.646mW/g

Test Laboratory: HCT CO., LTD
EUT Type: Dual-Band Dual-Mode CDMA/GSM Phone with Bluetooth
GPRS Class 10 and GPRS mode class B (GPRS and GSM, but not simultaneously)
Liquid Temperature: 21.3 °C
Ambient Temperature: 21.5 °C
Test Date: Apr.01, 2009

DUT: WP8990; Type: (body); Serial: #1

Communication System: GSM 850; Frequency: 824.2 MHz; Duty Cycle: 1:8.3
Medium parameters used: $f = 825 \text{ MHz}$; $\sigma = 0.981 \text{ mho/m}$; $\epsilon_r = 54$; $\rho = 1000 \text{ kg/m}^3$
Phantom section: Flat Section ; Measurement SW: DASY4, V4.7 Build 80; Postprocessing SW: SEMCAD, V1.8 Build 176

DASY4 Configuration:

- Probe: ET3DV6 - SN1609; ConvF(6.08, 6.08, 6.08); Calibrated: 2009-03-17
- Sensor-Surface: 4mm (Mechanical Surface Detection)
- Electronics: DAE4 Sn869; Calibrated: 2008-09-03
- Phantom: 835/900 Phantom ; Type: SAM

GSM Body 128/Area Scan (61x81x1): Measurement grid: dx=15mm, dy=15mm

Maximum value of SAR (interpolated) = 0.764 mW/g

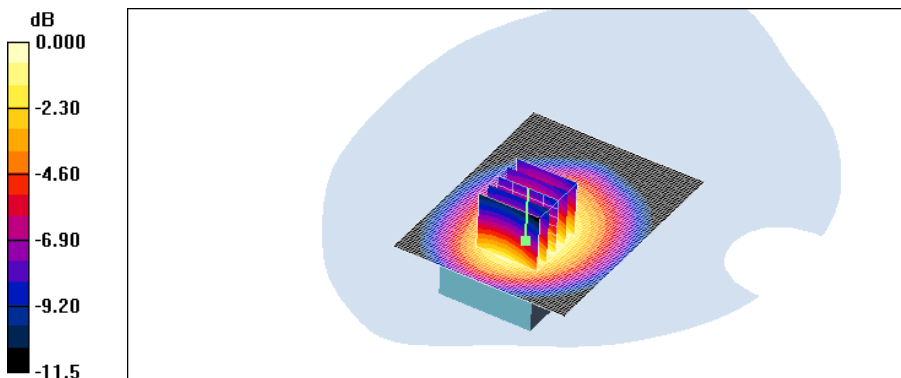
GSM Body 128/Zoom Scan (5x5x7)/Cube 0: Measurement grid: dx=8mm, dy=8mm, dz=5mm

Reference Value = 13.8 V/m; Power Drift = -0.074 dB

Peak SAR (extrapolated) = 0.995 W/kg

SAR(1 g) = 0.725 mW/g; SAR(10 g) = 0.504 mW/g

Maximum value of SAR (measured) = 0.770 mW/g



Test Laboratory: HCT CO., LTD
EUT Type: Dual-Band Dual-Mode CDMA/GSM Phone with Bluetooth
GPRS Class 10 and GPRS mode class B (GPRS and GSM, but not simultaneously)
Liquid Temperature: 21.3 °C
Ambient Temperature: 21.5 °C
Test Date: Apr.01, 2009
Option: Extended

DUT: WP8990; Type: (body); Serial: #1

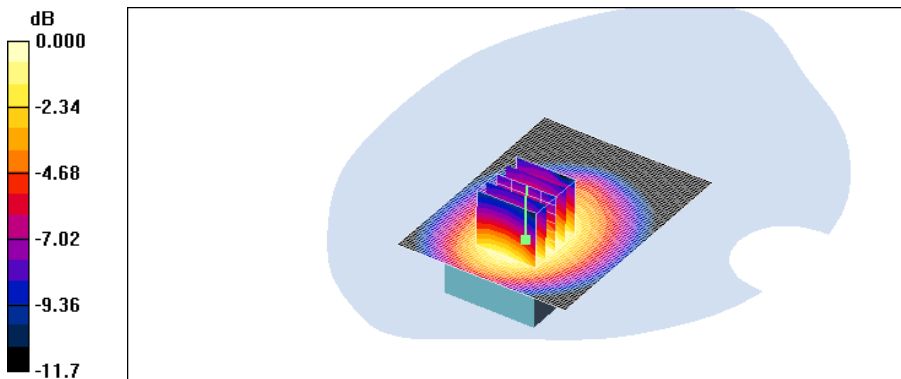
Communication System: GSM 850; Frequency: 824.2 MHz; Duty Cycle: 1:4.15
Medium parameters used: $f = 825$ MHz; $\sigma = 0.981$ mho/m; $\epsilon_r = 54$; $\rho = 1000$ kg/m³
Phantom section: Flat Section ; Measurement SW: DASY4, V4.7 Build 80; Postprocessing SW: SEMCAD, V1.8 Build 176

DASY4 Configuration:

- Probe: ET3DV6 - SN1609; ConvF(6.08, 6.08, 6.08); Calibrated: 2009-03-17
- Sensor-Surface: 4mm (Mechanical Surface Detection)
- Electronics: DAE4 Sn869; Calibrated: 2008-09-03
- Phantom: 835/900 Phantom ; Type: SAM

GSM Body 128/Area Scan (61x81x1): Measurement grid: dx=15mm, dy=15mm
Maximum value of SAR (interpolated) = 1.36 mW/g

GSM Body 128/Zoom Scan (5x5x7)/Cube 0: Measurement grid: dx=8mm, dy=8mm, dz=5mm
Reference Value = 16.3 V/m; Power Drift = -0.001 dB
Peak SAR (extrapolated) = 1.73 W/kg
SAR(1 g) = 1.27 mW/g; SAR(10 g) = 0.883 mW/g
Maximum value of SAR (measured) = 1.36 mW/g



Test Laboratory: HCT CO., LTD
EUT Type: Dual-Band Dual-Mode CDMA/GSM Phone with Bluetooth
GPRS Class 10 and GPRS mode class B (GPRS and GSM, but not simultaneously)
Liquid Temperature: 21.3 °C
Ambient Temperature: 21.5 °C
Test Date: Apr.02, 2009

DUT: WP8990; Type: (body); Serial: #1

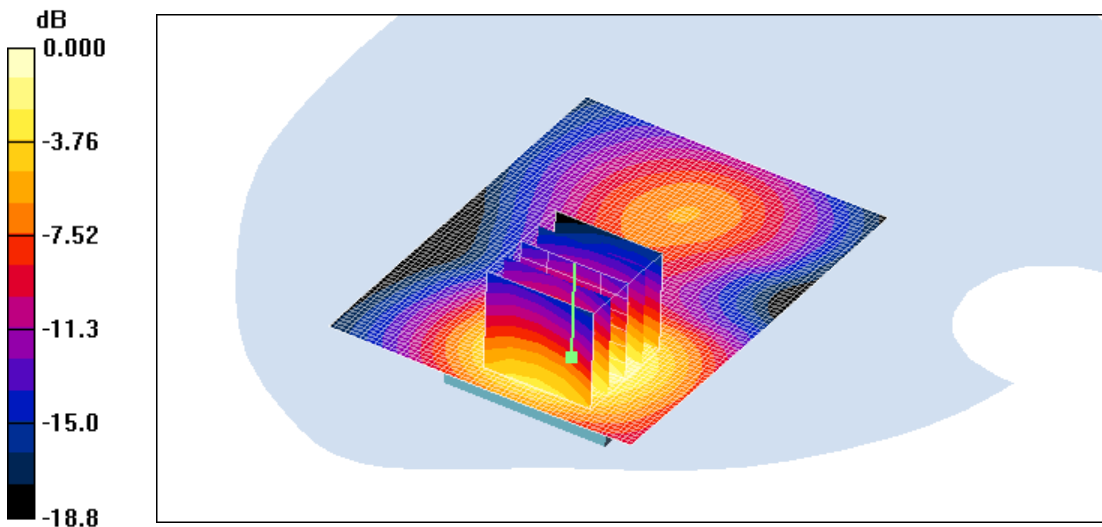
Communication System: GSM 1900; Frequency: 1880 MHz; Duty Cycle: 1:8.3
Medium parameters used: $f = 1880$ MHz; $\sigma = 1.53$ mho/m; $\epsilon_r = 53.3$; $\rho = 1000$ kg/m³
Phantom section: Flat Section ; Measurement SW: DASY4, V4.7 Build 80; Postprocessing SW: SEMCAD, V1.8 Build 176

DASY4 Configuration:

- Probe: ET3DV6 - SN1609; ConvF(4.61, 4.61, 4.61); Calibrated: 2009-03-17
- Sensor-Surface: 4mm (Mechanical Surface Detection)
- Electronics: DAE4 Sn869; Calibrated: 2008-09-03
- Phantom: 1800/1900 Phantom; Type: SAM

GSM Body 661/Area Scan (61x81x1): Measurement grid: dx=15mm, dy=15mm
Maximum value of SAR (interpolated) = 0.327 mW/g

GSM Body 661/Zoom Scan (5x5x7)/Cube 0: Measurement grid: dx=8mm, dy=8mm, dz=5mm
Reference Value = 6.56 V/m; Power Drift = -0.022 dB
Peak SAR (extrapolated) = 0.427 W/kg
SAR(1 g) = 0.311 mW/g; SAR(10 g) = 0.180 mW/g
Maximum value of SAR (measured) = 0.352 mW/g



Test Laboratory: HCT CO., LTD
EUT Type: Dual-Band Dual-Mode CDMA/GSM Phone with Bluetooth
GPRS Class 10 and GPRS mode class B (GPRS and GSM, but not simultaneously)
Liquid Temperature: 21.3 °C
Ambient Temperature: 21.5 °C
Test Date: Apr.02, 2009

DUT: WP8990; Type: (body); Serial: #1

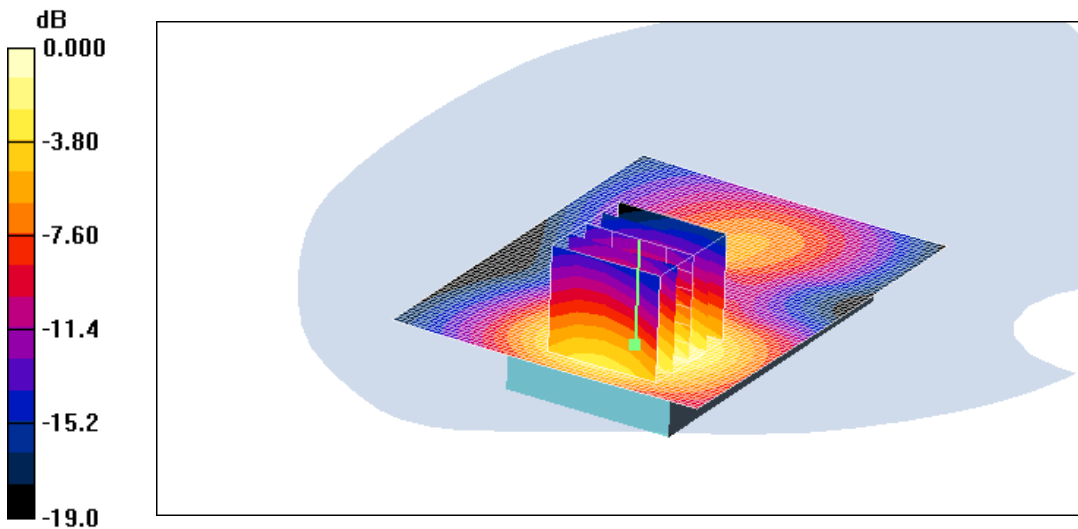
Communication System: GSM 1900; Frequency: 1880 MHz; Duty Cycle: 1:4.15
Medium parameters used: $f = 1880$ MHz; $\sigma = 1.53$ mho/m; $\epsilon_r = 53.3$; $\rho = 1000$ kg/m³
Phantom section: Flat Section ; Measurement SW: DASY4, V4.7 Build 80; Postprocessing SW: SEMCAD, V1.8 Build 176

DASY4 Configuration:

- Probe: ET3DV6 - SN1609; ConvF(4.61, 4.61, 4.61); Calibrated: 2009-03-17
- Sensor-Surface: 4mm (Mechanical Surface Detection)
- Electronics: DAE4 Sn869; Calibrated: 2008-09-03
- Phantom: 1800/1900 Phantom; Type: SAM

GSM Body 661/Area Scan (61x81x1): Measurement grid: dx=15mm, dy=15mm
Maximum value of SAR (interpolated) = 0.636 mW/g

GSM Body 661/Zoom Scan (5x5x7)/Cube 0: Measurement grid: dx=8mm, dy=8mm, dz=5mm
Reference Value = 9.19 V/m; Power Drift = -0.002 dB
Peak SAR (extrapolated) = 0.817 W/kg
SAR(1 g) = 0.605 mW/g; SAR(10 g) = 0.352 mW/g
Maximum value of SAR (measured) = 0.678 mW/g



Test Laboratory: HCT CO., LTD
EUT Type: Dual-Band Dual-Mode CDMA/GSM Phone with Bluetooth
GPRS Class 10 and GPRS mode class B (GPRS and GSM, but not simultaneously)
Liquid Temperature: 21.3 °C
Ambient Temperature: 21.5 °C
Test Date: Apr.02, 2009

DUT: WP8990; Type: (body); Serial: #1

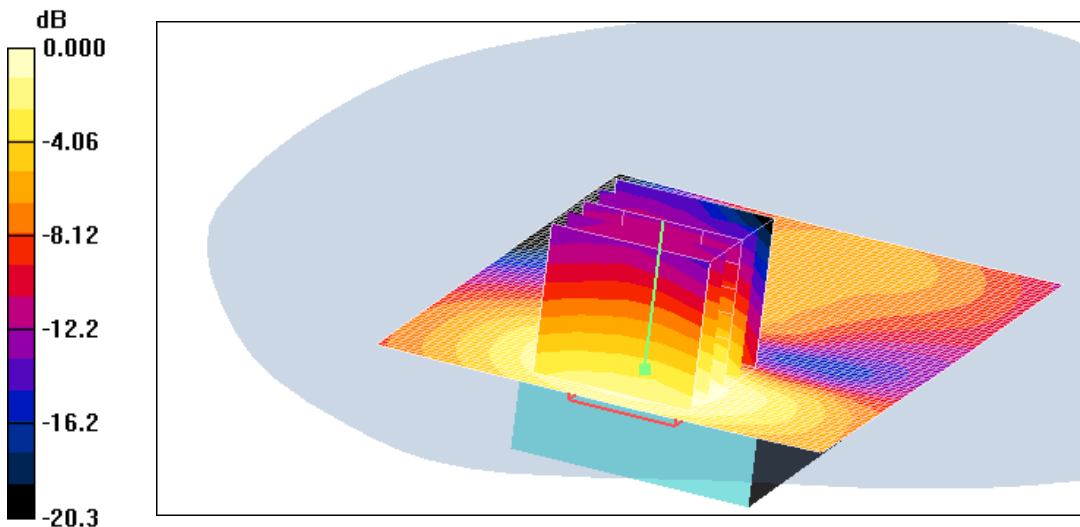
Communication System: GSM 1900; Frequency: 1880 MHz; Duty Cycle: 1:4.15
Medium parameters used: $f = 1880$ MHz; $\sigma = 1.53$ mho/m; $\epsilon_r = 53.3$; $\rho = 1000$ kg/m³
Phantom section: Flat Section ; Measurement SW: DASY4, V4.7 Build 80; Postprocessing SW: SEMCAD, V1.8 Build 176

DASY4 Configuration:

- Probe: ET3DV6 - SN1609; ConvF(4.61, 4.61, 4.61); Calibrated: 2009-03-17
- Sensor-Surface: 4mm (Mechanical Surface Detection)
- Electronics: DAE4 Sn869; Calibrated: 2008-09-03
- Phantom: 1800/1900 Phantom; Type: SAM

GSM Body 661/Area Scan (61x81x1): Measurement grid: dx=15mm, dy=15mm
Maximum value of SAR (interpolated) = 0.180 mW/g

GSM Body 661/Zoom Scan (5x5x7)/Cube 0: Measurement grid: dx=8mm, dy=8mm, dz=5mm
Reference Value = 6.10 V/m; Power Drift = -0.061 dB
Peak SAR (extrapolated) = 0.203 W/kg
SAR(1 g) = 0.152 mW/g; SAR(10 g) = 0.094 mW/g
Maximum value of SAR (measured) = 0.165 mW/g



Test Laboratory: HCT CO., LTD
EUT Type: Dual-Band Dual-Mode CDMA/GSM Phone with Bluetooth
GPRS Class 10 and GPRS mode class B (GPRS and GSM, but not simultaneously)
Liquid Temperature: 21.3 °C
Ambient Temperature: 21.5 °C
Test Date: Apr.02, 2009

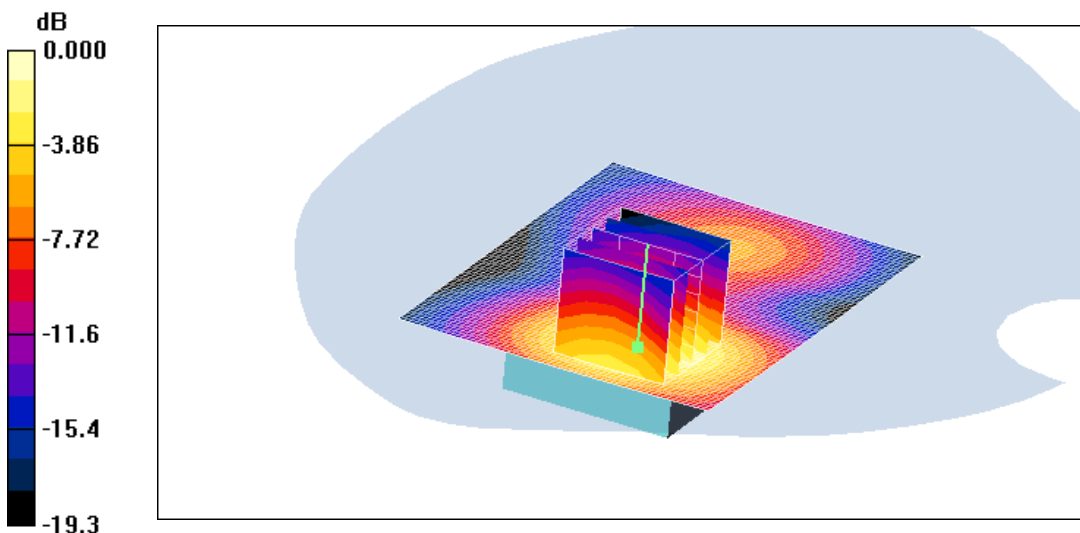
DUT: WP8990; Type: (body); Serial: #1

Communication System: GSM 1900; Frequency: 1880 MHz; Duty Cycle: 1:8.3
Medium parameters used: $f = 1880 \text{ MHz}$; $\sigma = 1.53 \text{ mho/m}$; $\epsilon_r = 53.3$; $\rho = 1000 \text{ kg/m}^3$
Phantom section: Flat Section ; Measurement SW: DASY4, V4.7 Build 80; Postprocessing SW: SEMCAD, V1.8 Build 176

DASY4 Configuration:
- Probe: ET3DV6 - SN1609; ConvF(4.61, 4.61, 4.61); Calibrated: 2009-03-17
- Sensor-Surface: 4mm (Mechanical Surface Detection)
- Electronics: DAE4 Sn869; Calibrated: 2008-09-03
- Phantom: 1800/1900 Phantom; Type: SAM

GSM Body 661/Area Scan (61x81x1): Measurement grid: dx=15mm, dy=15mm
Maximum value of SAR (interpolated) = 0.350 mW/g

GSM Body 661/Zoom Scan (5x5x7)/Cube 0: Measurement grid: dx=8mm, dy=8mm, dz=5mm
Reference Value = 6.71 V/m; Power Drift = 0.035 dB
Peak SAR (extrapolated) = 0.444 W/kg
SAR(1 g) = 0.328 mW/g; SAR(10 g) = 0.190 mW/g
Maximum value of SAR (measured) = 0.367 mW/g



0 dB = 0.367mW/g

Test Laboratory: HCT CO., LTD
EUT Type: Dual-Band Dual-Mode CDMA/GSM Phone with Bluetooth
GPRS Class 10 and GPRS mode class B (GPRS and GSM, but not simultaneously)
Liquid Temperature: 21.3 °C
Ambient Temperature: 21.5 °C
Test Date: Apr.02, 2009
Option: Extended

DUT: WP8990; Type: (body); Serial: #1

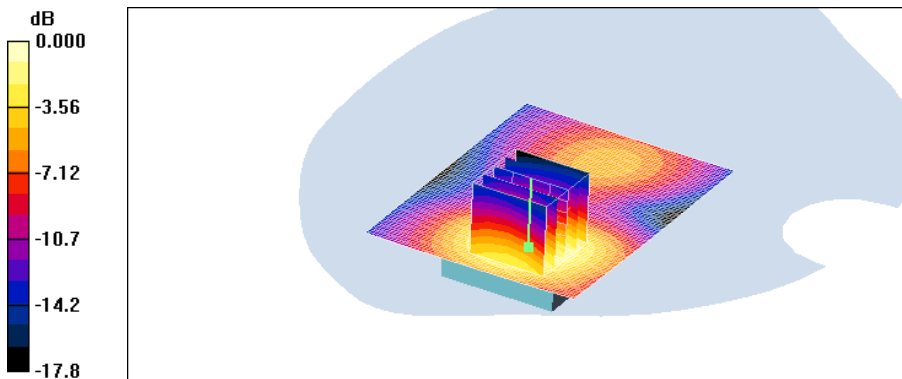
Communication System: GSM 1900; Frequency: 1880 MHz; Duty Cycle: 1:4.15
Medium parameters used: $f = 1880$ MHz; $\sigma = 1.53$ mho/m; $\epsilon_r = 53.3$; $\rho = 1000$ kg/m³
Phantom section: Flat Section ; Measurement SW: DASY4, V4.7 Build 80; Postprocessing SW: SEMCAD, V1.8 Build 176

DASY4 Configuration:

- Probe: ET3DV6 - SN1609; ConvF(4.61, 4.61, 4.61); Calibrated: 2009-03-17
- Sensor-Surface: 4mm (Mechanical Surface Detection)
- Electronics: DAE4 Sn869; Calibrated: 2008-09-03
- Phantom: 1800/1900 Phantom; Type: SAM

GSM Body 661/Area Scan (61x81x1): Measurement grid: dx=15mm, dy=15mm
Maximum value of SAR (interpolated) = 0.479 mW/g

GSM Body 661/Zoom Scan (5x5x7)/Cube 0: Measurement grid: dx=8mm, dy=8mm, dz=5mm
Reference Value = 10.4 V/m; Power Drift = -0.022 dB
Peak SAR (extrapolated) = 0.585 W/kg
SAR(1 g) = 0.448 mW/g; SAR(10 g) = 0.267 mW/g
Maximum value of SAR (measured) = 0.501 mW/g



0 dB = 0.501mW/g

Test Laboratory: HCT CO., LTD
EUT Type: Dual-Band Dual-Mode CDMA/GSM Phone with Bluetooth
GPRS Class 10 and GPRS mode class B (GPRS and GSM, but not simultaneously)
Liquid Temperature: 21.3 °C
Ambient Temperature: 21.5 °C
Test Date: Apr.01, 2009

DUT: WP8990; Type: Folder; Serial: #1

Communication System: CDMA 835MHz FCC; Frequency: 848.31 MHz; Duty Cycle: 1:1
Medium parameters used (interpolated): $f = 848.31$ MHz; $\sigma = 0.9$ mho/m; $\epsilon_r = 42.2$; $\rho = 1000$ kg/m³
Phantom section: Right Section ; Measurement SW: DASY4, V4.7 Build 80; Postprocessing SW: SEMCAD, V1.8 Build 176

DASY4 Configuration:

- Probe: ET3DV6 - SN1609; ConvF(6.25, 6.25, 6.25); Calibrated: 2009-03-17
- Sensor-Surface: 4mm (Mechanical Surface Detection)
- Electronics: DAE4 Sn869; Calibrated: 2008-09-03
- Phantom: 835/900 Phantom ; Type: SAM

Right touch 777/Area Scan (51x111x1): Measurement grid: dx=15mm, dy=15mm

[Info: Interpolated medium parameters used for SAR evaluation.](#)

Maximum value of SAR (interpolated) = 1.08 mW/g

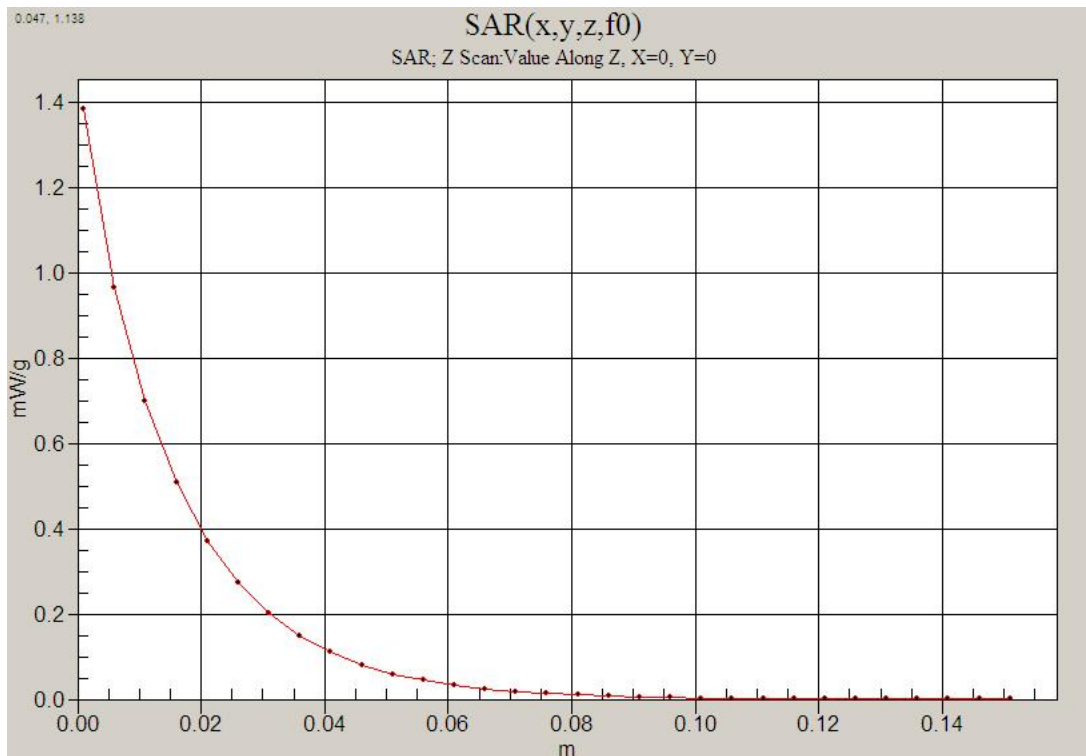
Right touch 777/Zoom Scan (5x5x7)/Cube 0: Measurement grid: dx=8mm, dy=8mm, dz=5mm

Reference Value = 24.5 V/m; Power Drift = -0.118 dB

Peak SAR (extrapolated) = 1.32 W/kg

SAR(1 g) = 1.02 mW/g; SAR(10 g) = 0.739 mW/g

Maximum value of SAR (measured) = 1.08 mW/g



Test Laboratory: HCT CO., LTD
EUT Type: Dual-Band Dual-Mode CDMA/GSM Phone with Bluetooth
GPRS Class 10 and GPRS mode class B (GPRS and GSM, but not simultaneously)
Liquid Temperature: 21.3 °C
Ambient Temperature: 21.5 °C
Test Date: Apr.01, 2009

DUT: WP8990; Type: (body); Serial: #1

Communication System: CDMA 835MHz FCC; Frequency: 824.7 MHz; Duty Cycle: 1:1
Medium parameters used: $f = 825$ MHz; $\sigma = 0.981$ mho/m; $\epsilon_r = 54$; $\rho = 1000$ kg/m³
Phantom section: Flat Section ; Measurement SW: DASY4, V4.7 Build 80; Postprocessing SW: SEMCAD, V1.8 Build 176

DASY4 Configuration:

- Probe: ET3DV6 - SN1609; ConvF(6.08, 6.08, 6.08); Calibrated: 2009-03-17
- Sensor-Surface: 4mm (Mechanical Surface Detection)
- Electronics: DAE4 Sn869; Calibrated: 2008-09-03
- Phantom: 835/900 Phantom ; Type: SAM

CDMA Body 1013/Area Scan (61x81x1): Measurement grid: dx=15mm, dy=15mm

Maximum value of SAR (interpolated) = 1.44 mW/g

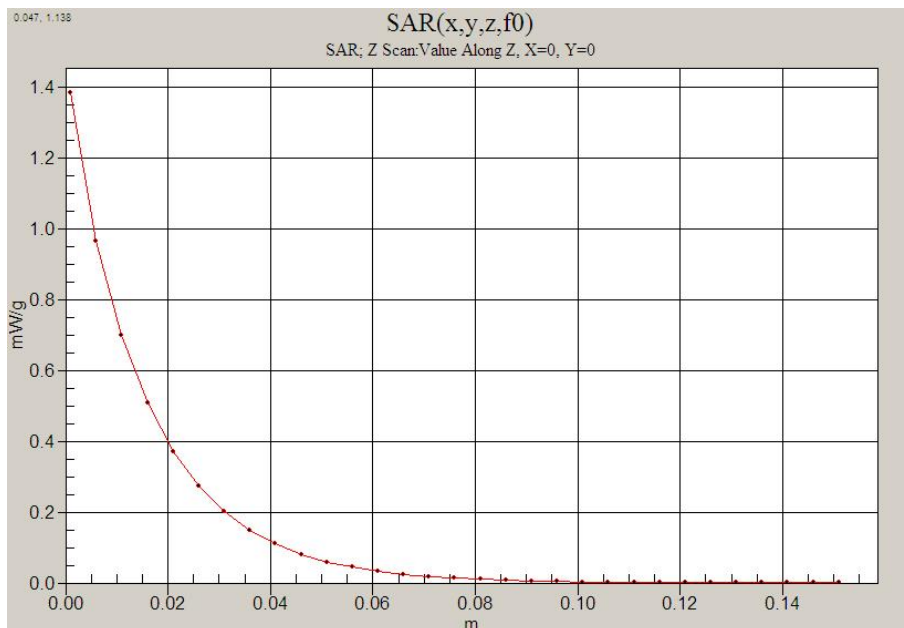
CDMA Body 1013/Zoom Scan (5x5x7)/Cube 0: Measurement grid: dx=8mm, dy=8mm, dz=5mm

Reference Value = 15.8 V/m; Power Drift = -0.057 dB

Peak SAR (extrapolated) = 1.81 W/kg

SAR(1 g) = 1.33 mW/g; SAR(10 g) = 0.921 mW/g

Maximum value of SAR (measured) = 1.42 mW/g



Test Laboratory: HCT CO., LTD
EUT Type: Dual-Band Dual-Mode CDMA/GSM Phone with Bluetooth
GPRS Class 10 and GPRS mode class B (GPRS and GSM, but not simultaneously)
Liquid Temperature: 21.3 °C
Ambient Temperature: 21.5 °C
Test Date: Apr.02, 2009

DUT: WP8990; Type: Folder; Serial: #1

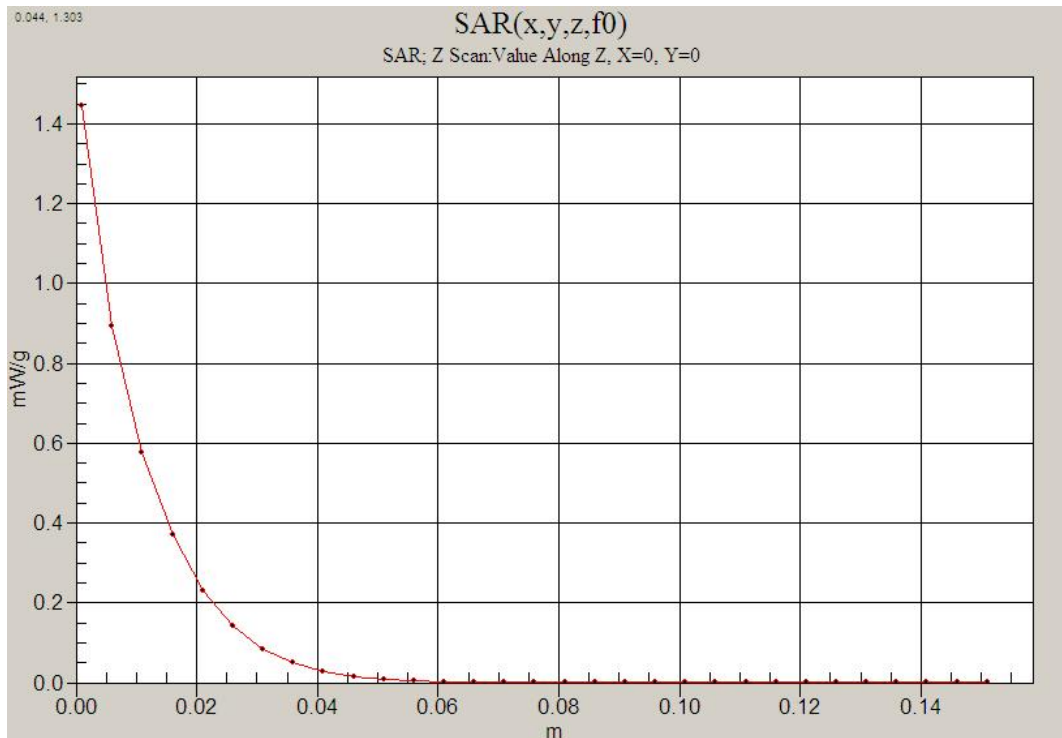
Communication System: PCS 1900; Frequency: 1880 MHz; Duty Cycle: 1:1
Medium parameters used: $f = 1880$ MHz; $\sigma = 1.39$ mho/m; $\epsilon_r = 39.2$; $\rho = 1000$ kg/m³
Phantom section: Right Section ; Measurement SW: DASY4, V4.7 Build 80; Postprocessing SW: SEMCAD, V1.8 Build 176

DASY4 Configuration:

- Probe: ET3DV6 - SN1609; ConvF(5.12, 5.12, 5.12); Calibrated: 2009-03-17
- Sensor-Surface: 4mm (Mechanical Surface Detection)
- Electronics: DAE4 Sn869; Calibrated: 2008-09-03
- Phantom: 1800/1900 Phantom; Type: SAM

Right touch 600/Area Scan (51x111x1): Measurement grid: dx=15mm, dy=15mm
Maximum value of SAR (interpolated) = 1.44 mW/g

Right touch 600/Zoom Scan (5x5x7)/Cube 0: Measurement grid: dx=8mm, dy=8mm, dz=5mm
Reference Value = 20.1 V/m; Power Drift = -0.061 dB
Peak SAR (extrapolated) = 1.84 W/kg
SAR(1 g) = 1.29 mW/g; SAR(10 g) = 0.787 mW/g
Maximum value of SAR (measured) = 1.43 mW/g



Test Laboratory: HCT CO., LTD
EUT Type: Dual-Band Dual-Mode CDMA/GSM Phone with Bluetooth
GPRS Class 10 and GPRS mode class B (GPRS and GSM, but not simultaneously)
Liquid Temperature: 21.3 °C
Ambient Temperature: 21.5 °C
Test Date: Apr.02, 2009

DUT: WP8990; Type: (body); Serial: #1

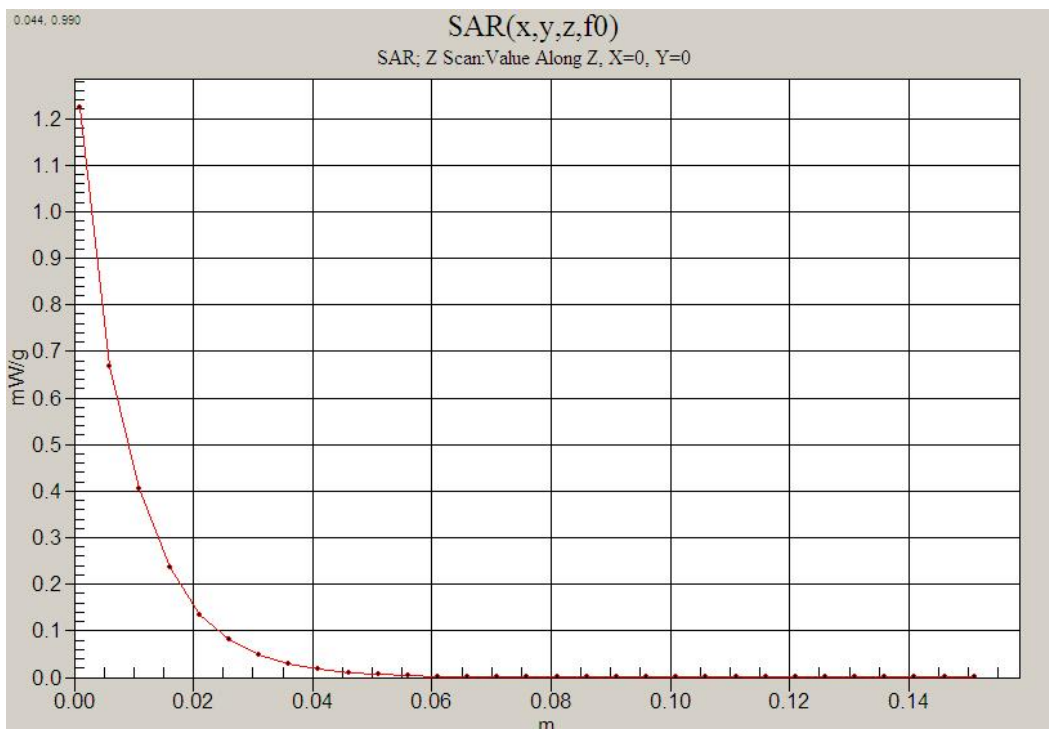
Communication System: PCS 1900; Frequency: 1880 MHz; Duty Cycle: 1:1
Medium parameters used: $f = 1880$ MHz; $\sigma = 1.53$ mho/m; $\epsilon_r = 53.3$; $\rho = 1000$ kg/m³
Phantom section: Flat Section ; Measurement SW: DASY4, V4.7 Build 80; Postprocessing SW: SEMCAD, V1.8 Build 176

DASY4 Configuration:

- Probe: ET3DV6 - SN1609; ConvF(4.61, 4.61, 4.61); Calibrated: 2009-03-17
- Sensor-Surface: 4mm (Mechanical Surface Detection)
- Electronics: DAE4 Sn869; Calibrated: 2008-09-03
- Phantom: 1800/1900 Phantom; Type: SAM

PCS Body 600/Area Scan (61x81x1): Measurement grid: dx=15mm, dy=15mm
Maximum value of SAR (interpolated) = 1.10 mW/g

PCS Body 600/Zoom Scan (5x5x7)/Cube 0: Measurement grid: dx=8mm, dy=8mm, dz=5mm
Reference Value = 13.8 V/m; Power Drift = -0.075 dB
Peak SAR (extrapolated) = 1.38 W/kg
SAR(1 g) = 1 mW/g; SAR(10 g) = 0.575 mW/g
Maximum value of SAR (measured) = 1.13 mW/g



Test Laboratory: HCT CO., LTD
EUT Type: Dual-Band Dual-Mode CDMA/GSM Phone with Bluetooth
GPRS Class 10 and GPRS mode class B (GPRS and GSM, but not simultaneously)
Liquid Temperature: 21.3 °C
Ambient Temperature: 21.5 °C
Test Date: Apr.01, 2009

DUT: WP8990; Type: Folder; Serial: #1

Communication System: GSM 850; Frequency: 848.8 MHz; Duty Cycle: 1:8.3
Medium parameters used (interpolated): $f = 848.8$ MHz; $\sigma = 0.901$ mho/m; $\epsilon_r = 42.2$; $\rho = 1000$ kg/m³
Phantom section: Right Section ; Measurement SW: DASY4, V4.7 Build 80; Postprocessing SW: SEMCAD, V1.8 Build 176

DASY4 Configuration:

- Probe: ET3DV6 - SN1609; ConvF(6.25, 6.25, 6.25); Calibrated: 2009-03-17
- Sensor-Surface: 4mm (Mechanical Surface Detection)
- Electronics: DAE4 Sn869; Calibrated: 2008-09-03
- Phantom: 835/900 Phantom ; Type: SAM

Right touch 251/Area Scan (51x111x1): Measurement grid: dx=15mm, dy=15mm

[Info: Interpolated medium parameters used for SAR evaluation.](#)

Maximum value of SAR (interpolated) = 1.19 mW/g

Right touch 251/Zoom Scan (5x5x7)/Cube 0: Measurement grid: dx=8mm, dy=8mm, dz=5mm

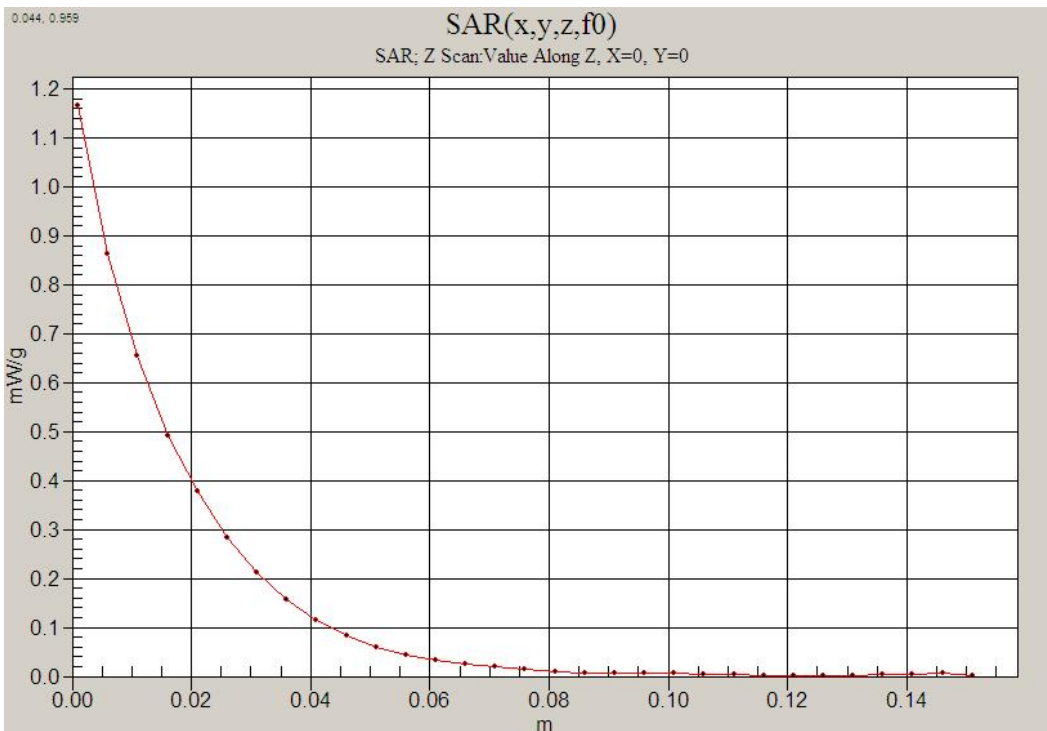
Reference Value = 28.3 V/m; Power Drift = -0.045 dB

Peak SAR (extrapolated) = 1.48 W/kg

SAR(1 g) = 1.13 mW/g; SAR(10 g) = 0.821 mW/g

[Info: Interpolated medium parameters used for SAR evaluation.](#)

Maximum value of SAR (measured) = 1.20 mW/g



Test Laboratory: HCT CO., LTD
EUT Type: Dual-Band Dual-Mode CDMA/GSM Phone with Bluetooth
GPRS Class 10 and GPRS mode class B (GPRS and GSM, but not simultaneously)
Liquid Temperature: 21.3 °C
Ambient Temperature: 21.5 °C
Test Date: Apr.01, 2009

DUT: WP8990; Type: (body); Serial: #1

Communication System: GSM 850; Frequency: 824.2 MHz; Duty Cycle: 1:4.15
Medium parameters used: $f = 825$ MHz; $\sigma = 0.981$ mho/m; $\epsilon_r = 54$; $\rho = 1000$ kg/m³
Phantom section: Flat Section ; Measurement SW: DASY4, V4.7 Build 80; Postprocessing SW: SEMCAD, V1.8 Build 176

DASY4 Configuration:

- Probe: ET3DV6 - SN1609; ConvF(6.08, 6.08, 6.08); Calibrated: 2009-03-17
- Sensor-Surface: 4mm (Mechanical Surface Detection)
- Electronics: DAE4 Sn869; Calibrated: 2008-09-03
- Phantom: 835/900 Phantom ; Type: SAM

GSM Body 128/Area Scan (61x81x1): Measurement grid: dx=15mm, dy=15mm

Maximum value of SAR (interpolated) = 1.36 mW/g

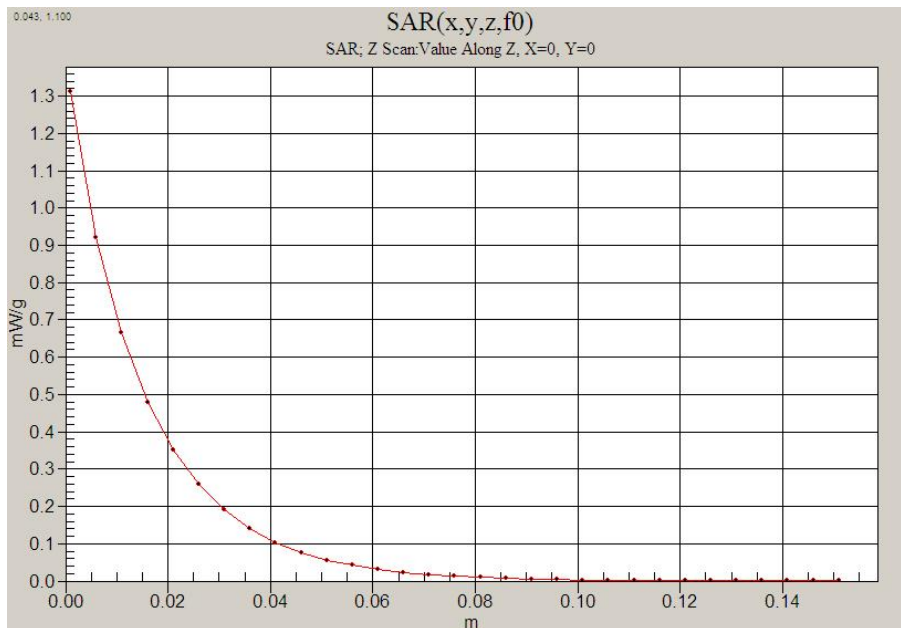
GSM Body 128/Zoom Scan (5x5x7)/Cube 0: Measurement grid: dx=8mm, dy=8mm, dz=5mm

Reference Value = 16.3 V/m; Power Drift = -0.028 dB

Peak SAR (extrapolated) = 1.73 W/kg

SAR(1 g) = 1.27 mW/g; SAR(10 g) = 0.883 mW/g

Maximum value of SAR (measured) = 1.36 mW/g



Test Laboratory: HCT CO., LTD
 EUT Type: Dual-Band Dual-Mode CDMA/GSM Phone with Bluetooth
 GPRS Class 10 and GPRS mode class B (GPRS and GSM, but not simultaneously)
 Liquid Temperature: 21.3 °C
 Ambient Temperature: 21.5 °C
 Test Date: Apr.02, 2009

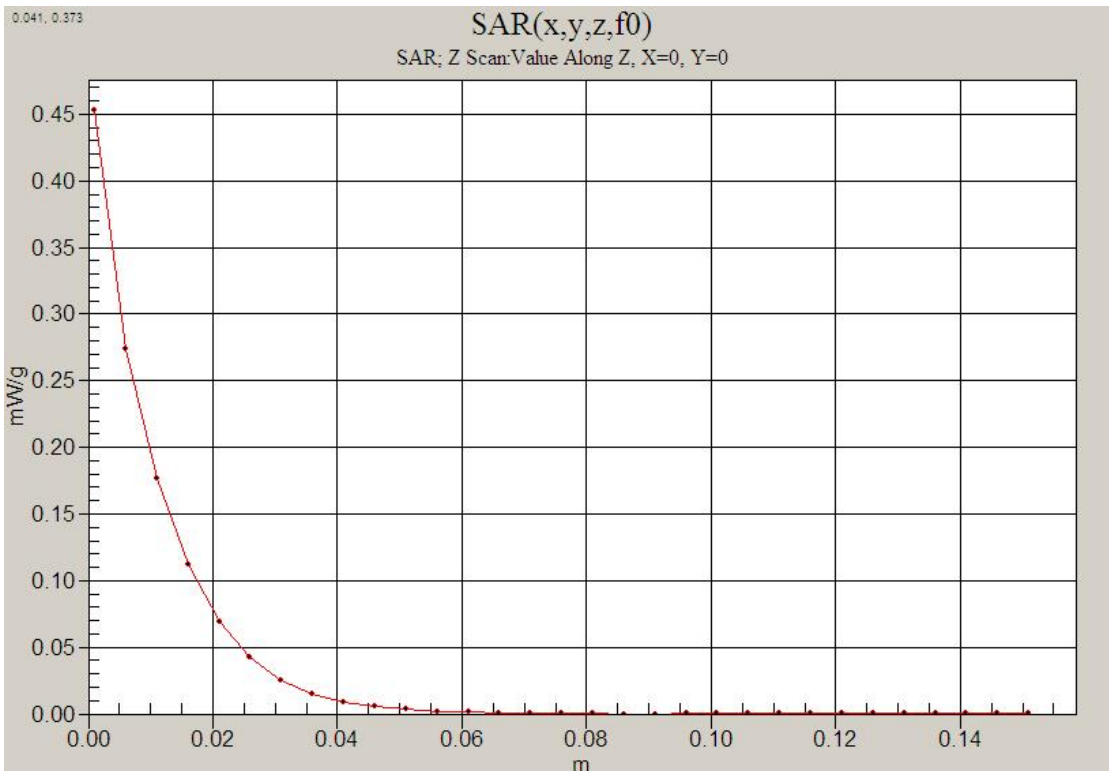
DUT: WP8990; Type: Folder; Serial: #1

Communication System: GSM 1900; Frequency: 1880 MHz; Duty Cycle: 1:8.3
 Medium parameters used: $f = 1880 \text{ MHz}$; $\sigma = 1.39 \text{ mho/m}$; $\epsilon_r = 39.2$; $\rho = 1000 \text{ kg/m}^3$
 Phantom section: Right Section ; Measurement SW: DASY4, V4.7 Build 80; Postprocessing SW: SEMCAD, V1.8 Build 176

DASY4 Configuration:
 - Probe: ET3DV6 - SN1609; ConvF(5.12, 5.12, 5.12); Calibrated: 2009-03-17
 - Sensor-Surface: 4mm (Mechanical Surface Detection)
 - Electronics: DAE4 Sn869; Calibrated: 2008-09-03
 - Phantom: 1800/1900 Phantom; Type: SAM

Right touch 661/Area Scan (51x111x1): Measurement grid: dx=15mm, dy=15mm
 Maximum value of SAR (interpolated) = 0.453 mW/g

Right touch 661/Zoom Scan (5x5x7)/Cube 0: Measurement grid: dx=8mm, dy=8mm, dz=5mm
 Reference Value = 11.4 V/m; Power Drift = -0.198 dB
 Peak SAR (extrapolated) = 0.579 W/kg
SAR(1 g) = 0.412 mW/g; SAR(10 g) = 0.255 mW/g
 Maximum value of SAR (measured) = 0.452 mW/g



Test Laboratory: HCT CO., LTD
EUT Type: Dual-Band Dual-Mode CDMA/GSM Phone with Bluetooth
GPRS Class 10 and GPRS mode class B (GPRS and GSM, but not simultaneously)
Liquid Temperature: 21.3 °C
Ambient Temperature: 21.5 °C
Test Date: Apr.02, 2009

DUT: WP8990; Type: (body); Serial: #1

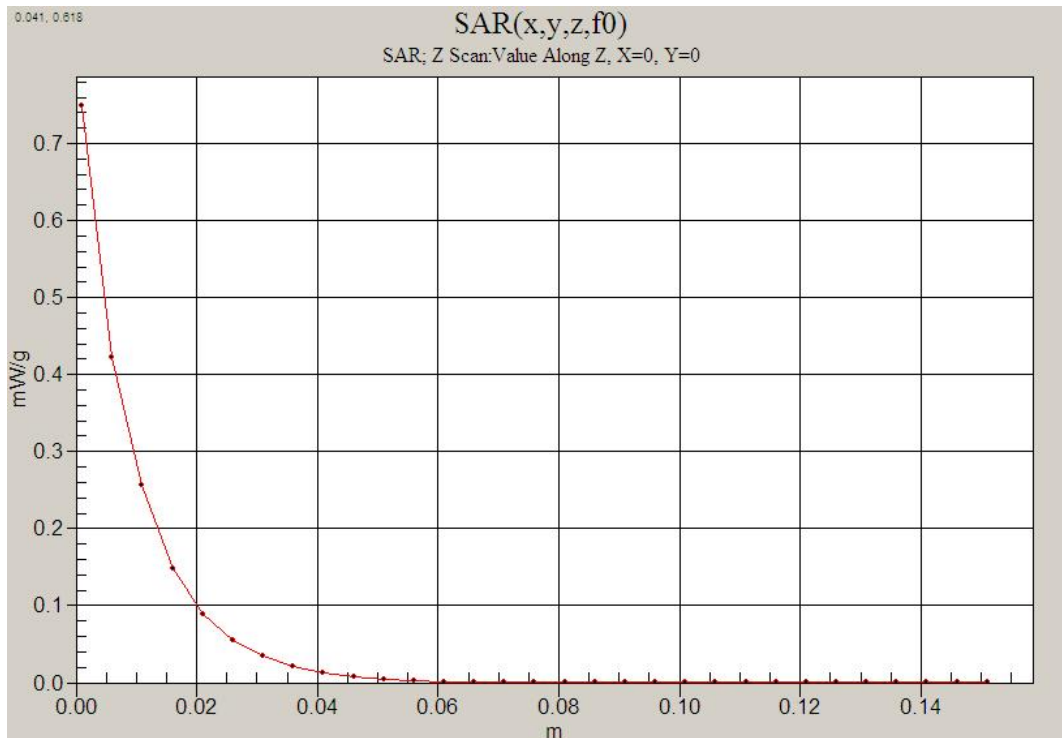
Communication System: GSM 1900; Frequency: 1880 MHz; Duty Cycle: 1:4.15
Medium parameters used: $f = 1880$ MHz; $\sigma = 1.53$ mho/m; $\epsilon_r = 53.3$; $\rho = 1000$ kg/m³
Phantom section: Flat Section ; Measurement SW: DASY4, V4.7 Build 80; Postprocessing SW: SEMCAD, V1.8 Build 176

DASY4 Configuration:

- Probe: ET3DV6 - SN1609; ConvF(4.61, 4.61, 4.61); Calibrated: 2009-03-17
- Sensor-Surface: 4mm (Mechanical Surface Detection)
- Electronics: DAE4 Sn869; Calibrated: 2008-09-03
- Phantom: 1800/1900 Phantom; Type: SAM

GSM Body 661/Area Scan (61x81x1): Measurement grid: dx=15mm, dy=15mm
Maximum value of SAR (interpolated) = 0.636 mW/g

GSM Body 661/Zoom Scan (5x5x7)/Cube 0: Measurement grid: dx=8mm, dy=8mm, dz=5mm
Reference Value = 9.19 V/m; Power Drift = -0.002 dB
Peak SAR (extrapolated) = 0.817 W/kg
SAR(1 g) = 0.605 mW/g; SAR(10 g) = 0.352 mW/g
Maximum value of SAR (measured) = 0.678 mW/g



Attachment 2. – Dipole Validation Plots

■ Validation Data (835 MHz Head)

Test Laboratory: HCT CO., LTD
Input Power 100 mW (20 dBm)
Liquid Temp: 21.3 °C
Test Date: Apr.01, 2009

DUT: Dipole 835 MHz; Type: D835V2; Serial: D835V2 – SN:441

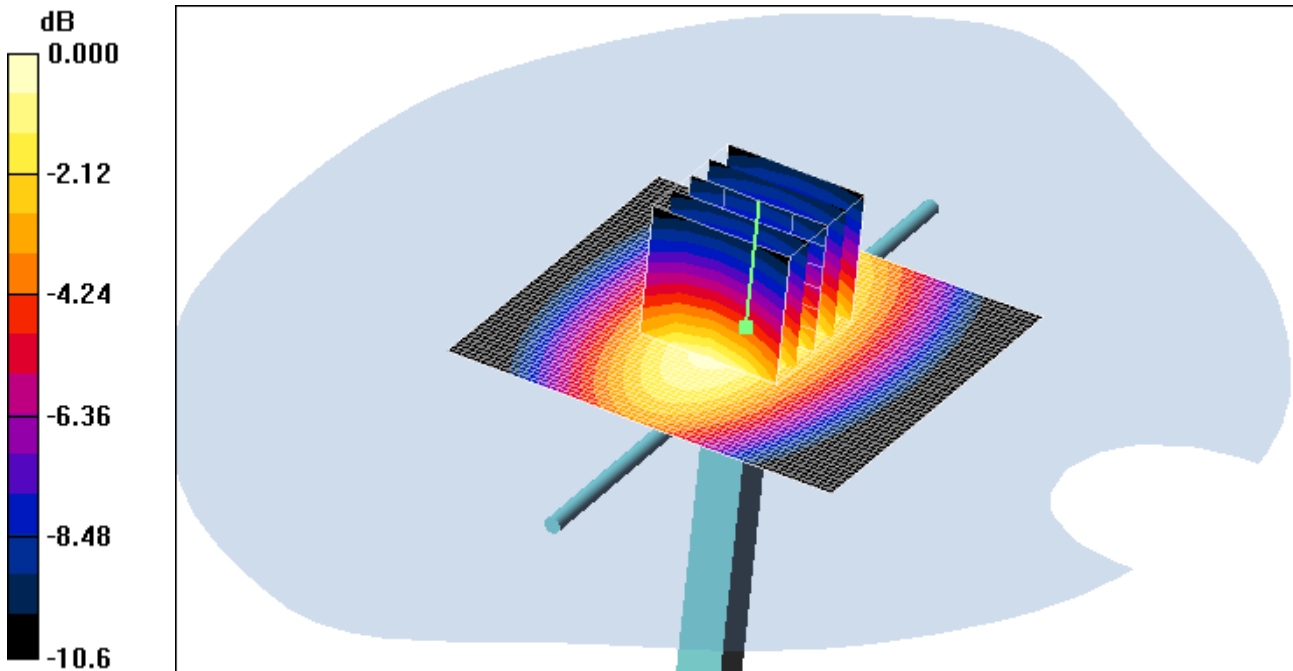
Communication System: CW; Frequency: 835 MHz; Duty Cycle: 1:1
Medium parameters used: $f = 835$ MHz; $\sigma = 0.885$ mho/m; $\epsilon_r = 42.6$; $\rho = 1000$ kg/m³
Phantom section: Flat Section ; Measurement SW: DASY4, V4.7 Build 80; Postprocessing SW: SEMCAD, V1.8 Build 176

DASY4 Configuration:

- Probe: ET3DV6 – SN1609; ConvF(6.25, 6.25, 6.25); Calibrated: 2009-03-17
- Sensor-Surface: 4mm (Mechanical Surface Detection)
- Electronics: DAE4 Sn869; Calibrated: 2008-09-03
- Phantom: SAM 835/900 MHz; Type: SAM

Validation 835MHz/Area Scan (61x61x1): Measurement grid: dx=15mm, dy=15mm
Maximum value of SAR (interpolated) = 1.01 mW/g

Validation 835MHz/Zoom Scan (5x5x7)/Cube 0: Measurement grid: dx=8mm, dy=8mm, dz=5mm
Reference Value = 34.8 V/m; Power Drift = 0.006 dB
Peak SAR (extrapolated) = 1.41 W/kg
SAR(1 g) = 0.938 mW/g; SAR(10 g) = 0.611 mW/g
Maximum value of SAR (measured) = 1.02 mW/g



Validation Data (1900 MHz Head)

Test Laboratory: HCT CO., LTD
 Input Power 100 mW (20 dBm)
 Liquid Temp: 21.3 °C
 Test Date: Apr.02, 2009

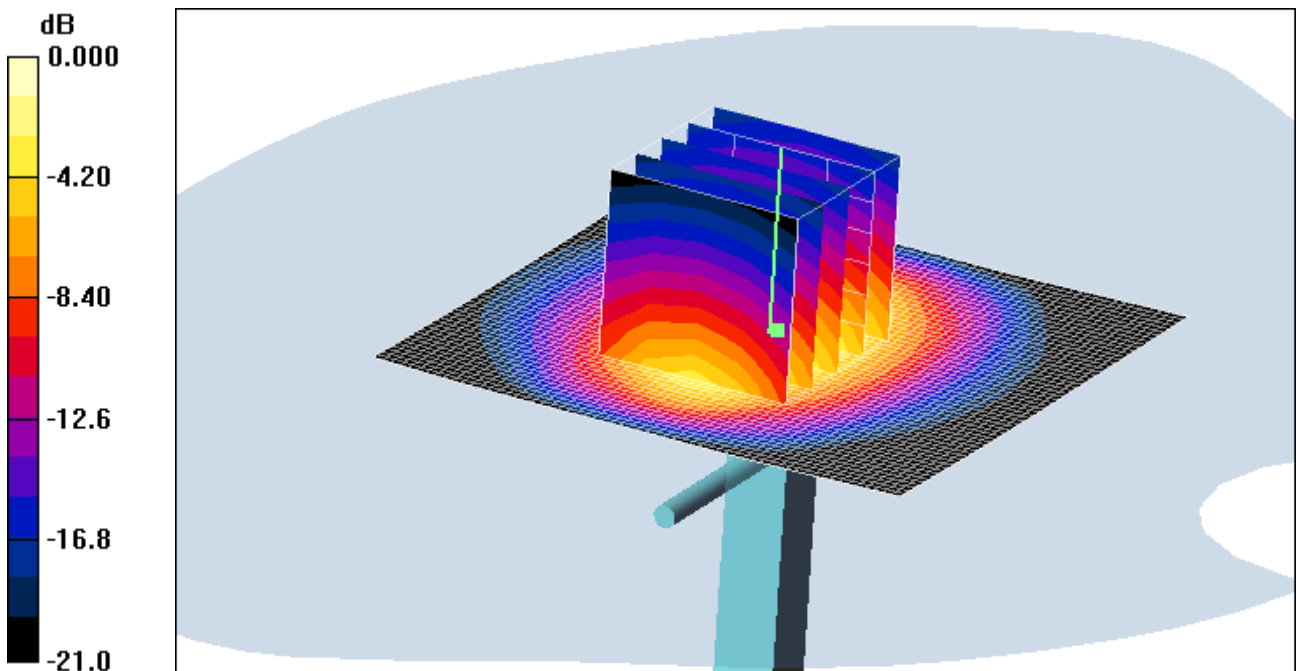
DUT: Dipole 1900 MHz; Type: D1900V2; Serial: D1900V2 – SN:5d032

Communication System: CW; Frequency: 1900 MHz; Duty Cycle: 1:1
 Medium parameters used: $f = 1900 \text{ MHz}$; $\sigma = 1.42 \text{ mho/m}$; $\epsilon_r = 39.2$; $\rho = 1000 \text{ kg/m}^3$
 Phantom section: Flat Section ; Measurement SW: DASY4, V4.7 Build 80; Postprocessing SW: SEMCAD, V1.8 Build 176

DASY4 Configuration:
 - Probe: ET3DV6 – SN1609; ConvF(5.12, 5.12, 5.12); Calibrated: 2009-03-17
 - Sensor-Surface: 4mm (Mechanical Surface Detection)
 - Electronics: DAE4 Sn869; Calibrated: 2008-09-03
 - Phantom: SAM 1800/1900 MHz; Type: SAM

Dipole 1900MHz Validation/Area Scan (61x61x1): Measurement grid: dx=15mm, dy=15mm
 Maximum value of SAR (interpolated) = 4.39 mW/g

Dipole 1900MHz Validation/Zoom Scan (5x5x7)/Cube 0: Measurement grid: dx=8mm, dy=8mm, dz=5mm
 Reference Value = 56.8 V/m; Power Drift = -0.008 dB
 Peak SAR (extrapolated) = 6.79 W/kg
SAR(1 g) = 3.76 mW/g; SAR(10 g) = 1.92 mW/g
 Maximum value of SAR (measured) = 4.24 mW/g



0 dB = 4.24mW/g

■ Dielectric Parameter (835 MHz Head)

Title WP8990
SubTitle 835 MHz
Test Date Apr.01, 2009

Frequency	e'	e''
800.000000 MHz	43.3571	19.1380
805.000000 MHz	43.2491	19.0924
810.000000 MHz	43.1112	19.0507
815.000000 MHz	42.9758	19.0308
820.000000 MHz	42.8972	19.0541
825.000000 MHz	42.7348	19.0589
830.000000 MHz	42.5886	19.0385
835.000000 MHz	42.5513	19.0613
840.000000 MHz	42.4601	19.0575
845.000000 MHz	42.3153	19.0800
850.000000 MHz	42.2127	19.0802
855.000000 MHz	42.1662	19.1265
860.000000 MHz	42.1254	19.0474
865.000000 MHz	42.0452	19.1290
870.000000 MHz	42.0048	19.0813
875.000000 MHz	41.9702	19.0679
880.000000 MHz	41.9765	19.0373
885.000000 MHz	41.9185	19.0261
890.000000 MHz	41.8532	18.9874
895.000000 MHz	41.8302	18.9214
900.000000 MHz	41.8325	18.9376

■ Dielectric Parameter (835 MHz Body)

Title WP8990
SubTitle 835 MHz
Test Date Apr.01, 2009

Frequency	e'	e''
800.000000 MHz	54.3114	21.4197
805.000000 MHz	54.2772	21.3598
810.000000 MHz	54.1901	21.3870
815.000000 MHz	54.1304	21.3764
820.000000 MHz	54.1075	21.3863
825.000000 MHz	53.9869	21.3700
830.000000 MHz	53.9733	21.3377
835.000000 MHz	53.9531	21.2859
840.000000 MHz	53.8922	21.2713
845.000000 MHz	53.8432	21.2855
850.000000 MHz	53.7845	21.2705
855.000000 MHz	53.7139	21.2494
860.000000 MHz	53.7002	21.2181
865.000000 MHz	53.6269	21.1987
870.000000 MHz	53.5748	21.1609
875.000000 MHz	53.5306	21.1419
880.000000 MHz	53.4710	21.1078
885.000000 MHz	53.3997	21.0680
890.000000 MHz	53.3675	21.0453
895.000000 MHz	53.3148	21.0622
900.000000 MHz	53.2810	21.0037

■ Dielectric Parameter (1900 MHz Head)

Title WP8990
SubTitle 1900 MHz
Test Date Apr.02, 2009

Frequency	e'	e''
1.800000000 GHz	39.7676	13.1054
1.810000000 GHz	39.6581	13.0959
1.820000000 GHz	39.5485	13.1234
1.830000000 GHz	39.4207	13.1626
1.840000000 GHz	39.2978	13.2264
1.850000000 GHz	39.2244	13.2364
1.860000000 GHz	39.1831	13.2479
1.870000000 GHz	39.1506	13.2957
1.880000000 GHz	39.1521	13.3341
1.890000000 GHz	39.1557	13.3739
1.900000000 GHz	39.1615	13.4060
1.910000000 GHz	39.1351	13.3904
1.920000000 GHz	39.0597	13.4121
1.930000000 GHz	38.9720	13.4538
1.940000000 GHz	38.8343	13.4519
1.950000000 GHz	38.7210	13.4673
1.960000000 GHz	38.5904	13.5034
1.970000000 GHz	38.5225	13.5665
1.980000000 GHz	38.4916	13.6262
1.990000000 GHz	38.5265	13.6516
2.000000000 GHz	38.5176	13.6794

■ Dielectric Parameter (1900 MHz Body)

Title WP8990
SubTitle 1900 MHz
Test Date Apr.02, 2009

Frequency	e'	e''
1.850000000 GHz	53.1872	14.7804
1.855000000 GHz	53.2269	14.8229
1.860000000 GHz	53.2320	14.8302
1.865000000 GHz	53.3353	14.8481
1.870000000 GHz	53.3308	14.8235
1.875000000 GHz	53.3116	14.7460
1.880000000 GHz	53.2802	14.6432
1.885000000 GHz	53.2522	14.5524
1.890000000 GHz	53.2033	14.4153
1.895000000 GHz	53.1254	14.2948
1.900000000 GHz	53.0316	14.1968
1.905000000 GHz	52.9513	14.1527
1.910000000 GHz	52.8711	14.0655
1.915000000 GHz	52.7532	14.0466
1.920000000 GHz	52.7044	14.0434
1.925000000 GHz	52.6440	14.1165
1.930000000 GHz	52.5804	14.1817
1.935000000 GHz	52.5492	14.3001
1.940000000 GHz	52.5182	14.4257
1.945000000 GHz	52.4790	14.5881
1.950000000 GHz	52.5191	14.7452

Attachment 3. – Probe Calibration Data

**Calibration Laboratory of
Schmid & Partner
Engineering AG**
Zeughausstrasse 43, 8004 Zurich, Switzerland



S Schweizerischer Kalibrierdienst
S Service suisse d'étalonnage
S Servizio svizzero di taratura
S Swiss Calibration Service

Accredited by the Swiss Accreditation Service (SAS)
The Swiss Accreditation Service is one of the signatories to the EA
Multilateral Agreement for the recognition of calibration certificates

Accreditation No.: **SCS 108**

Client **HCT (Dymstec)**

Certificate No: **ET3-1609_Mar09**

CALIBRATION CERTIFICATE

Object: **ET3DV6 - SN:1609**

Calibration procedure(s): **QA CAL-01.v6, QA CAL-12.v5 and QA CAL-23.v3
Calibration procedure for dosimetric E-field probes**

Calibration date: **March 17, 2009**

Condition of the calibrated item: **In Tolerance**

This calibration certificate documents the traceability to national standards, which realize the physical units of measurements (SI).
The measurements and the uncertainties with confidence probability are given on the following pages and are part of the certificate.

All calibrations have been conducted in the closed laboratory facility: environment temperature (22 ± 3)*°C and humidity < 70%.

Calibration Equipment used (M&TE critical for calibration)

Primary Standards	ID #	Cal Date (Certificate No.)	Scheduled Calibration
Power meter E4419B	GB41293874	1-Apr-08 (No. 217-00788)	Apr-09
Power sensor E4412A	MY41495277	1-Apr-08 (No. 217-00788)	Apr-09
Power sensor E4412A	MY41498087	1-Apr-08 (No. 217-00788)	Apr-09
Reference 3 dB Attenuator	SN: S5054 (3c)	1-Jul-08 (No. 217-00865)	Jul-09
Reference 20 dB Attenuator	SN: S5086 (20b)	31-Mar-08 (No. 217-00787)	Apr-09
Reference 30 dB Attenuator	SN: S5129 (30b)	1-Jul-08 (No. 217-00866)	Jul-09
Reference Probe ES3DV2	SN: 3013	2-Jan-09 (No. ES3-3013_Jan09)	Jan-10
DAE4	SN: 660	9-Sep-08 (No. DAE4-660_Sep08)	Sep-09

Secondary Standards	ID #	Check Date (in house)	Scheduled Check
RF generator HP 8848C	US3642U01700	4-Aug-99 (in house check Oct-07)	In house check: Oct-09
Network Analyzer HP 8753E	US37390585	18-Oct-01 (in house check Oct-08)	In house check: Oct-09

	Name	Function	Signature
Calibrated by:	Marcel Fehr	Laboratory Technician	

Approved by:	Katja Pokovic	Technical Manager	
--------------	---------------	-------------------	--

Issued: March 17, 2009

This calibration certificate shall not be reproduced except in full without written approval of the laboratory.

**Calibration Laboratory of
Schmid & Partner
Engineering AG**
Zeughausstrasse 43, 8004 Zurich, Switzerland



S Schweizerischer Kalibrierdienst
S Service suisse d'étalonnage
C Servizio svizzero di taratura
S Swiss Calibration Service

Accredited by the Swiss Accreditation Service (SAS)
The Swiss Accreditation Service is one of the signatories to the EA
Multilateral Agreement for the recognition of calibration certificates

Accreditation No.: **SCS 108**

Glossary:

TSL	tissue simulating liquid
NORM _{x,y,z}	sensitivity in free space
ConvF	sensitivity in TSL / NORM _{x,y,z}
DCP	diode compression point
Polarization φ	φ rotation around probe axis
Polarization ϑ	ϑ rotation around an axis that is in the plane normal to probe axis (at measurement center), i.e., $\vartheta = 0$ is normal to probe axis

Calibration is Performed According to the Following Standards:

- a) IEEE Std 1528-2003, "IEEE Recommended Practice for Determining the Peak Spatial-Averaged Specific Absorption Rate (SAR) in the Human Head from Wireless Communications Devices: Measurement Techniques", December 2003
- b) IEC 62209-1, "Procedure to measure the Specific Absorption Rate (SAR) for hand-held devices used in close proximity to the ear (frequency range of 300 MHz to 3 GHz)", February 2005

Methods Applied and Interpretation of Parameters:

- **NORM_{x,y,z}:** Assessed for E-field polarization $\vartheta = 0$ ($f \leq 900$ MHz in TEM-cell; $f > 1800$ MHz: R22 waveguide). NORM_{x,y,z} are only intermediate values, i.e., the uncertainties of NORM_{x,y,z} does not effect the E²-field uncertainty inside TSL (see below ConvF).
- **NORM(f)_{x,y,z} = NORM_{x,y,z} * frequency_response** (see Frequency Response Chart). This linearization is implemented in DASY4 software versions later than 4.2. The uncertainty of the frequency response is included in the stated uncertainty of ConvF.
- **DCP_{x,y,z}:** DCP are numerical linearization parameters assessed based on the data of power sweep (no uncertainty required). DCP does not depend on frequency nor media.
- **ConvF and Boundary Effect Parameters:** Assessed in flat phantom using E-field (or Temperature Transfer Standard for $f \leq 800$ MHz) and inside waveguide using analytical field distributions based on power measurements for $f > 800$ MHz. The same setups are used for assessment of the parameters applied for boundary compensation (alpha, depth) of which typical uncertainty values are given. These parameters are used in DASY4 software to improve probe accuracy close to the boundary. The sensitivity in TSL corresponds to NORM_{x,y,z} * ConvF whereby the uncertainty corresponds to that given for ConvF. A frequency dependent ConvF is used in DASY version 4.4 and higher which allows extending the validity from ± 50 MHz to ± 100 MHz.
- **Spherical isotropy (3D deviation from isotropy):** in a field of low gradients realized using a flat phantom exposed by a patch antenna.
- **Sensor Offset:** The sensor offset corresponds to the offset of virtual measurement center from the probe tip (on probe axis). No tolerance required.

ET3DV6 SN:1609

March 17, 2009

Probe ET3DV6

SN:1609

Manufactured:	July 21, 2001
Last calibrated:	August 30, 2007
Recalibrated:	March 17, 2009

Calibrated for DASY Systems

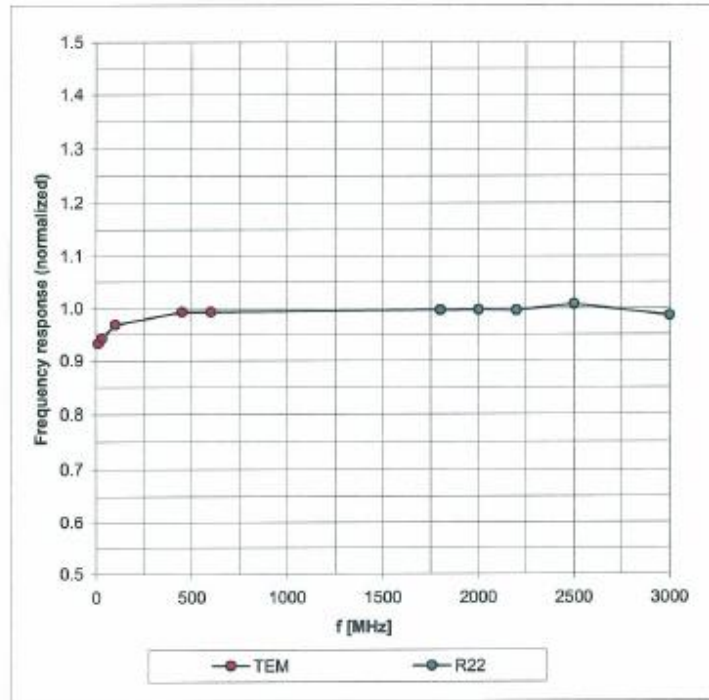
(Note: non-compatible with DASY2 system!)

ET3DV6 SN:1609

March 17, 2009

Frequency Response of E-Field

(TEM-Cell:ifi110 EXX, Waveguide: R22)

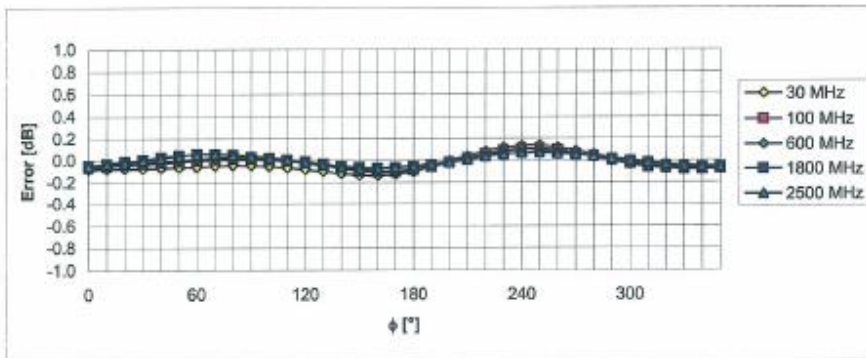
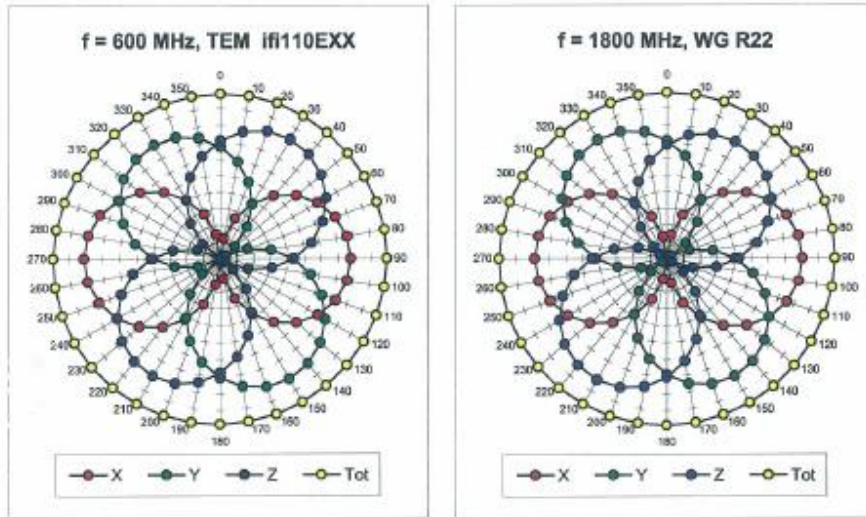


Uncertainty of Frequency Response of E-field: $\pm 6.3\%$ (k=2)

ET3DV6 SN:1609

March 17, 2009

Receiving Pattern (ϕ), $\theta = 0^\circ$

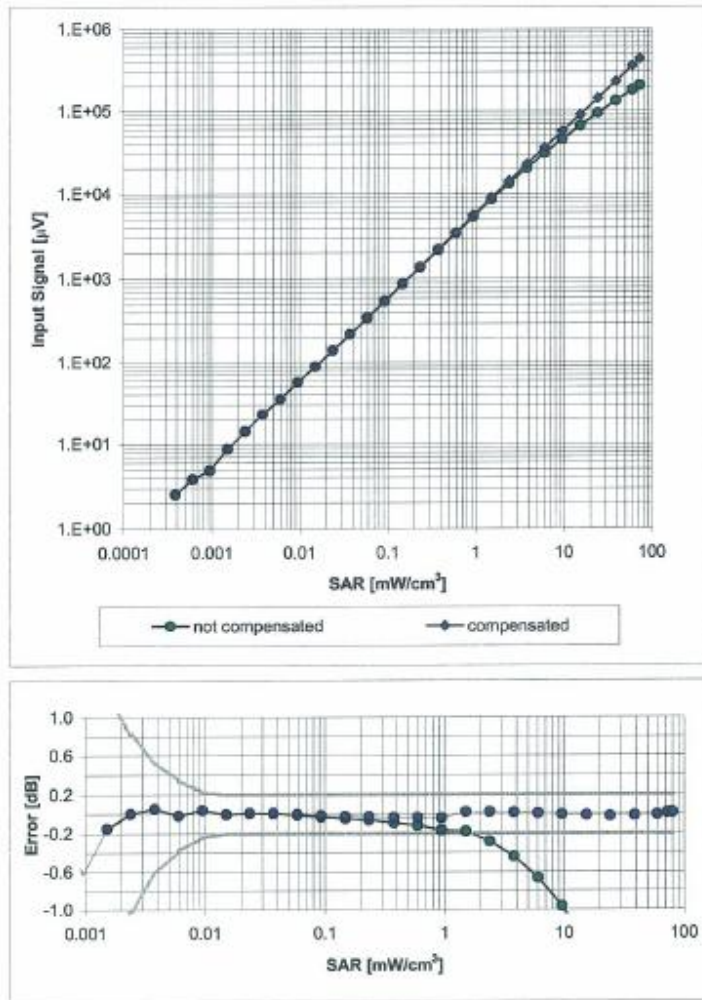


Uncertainty of Axial Isotropy Assessment: $\pm 0.5\%$ ($k=2$)

ET3DV6 SN:1609

March 17, 2009

Dynamic Range f(SAR_{head})
(Waveguide R22, f = 1800 MHz)

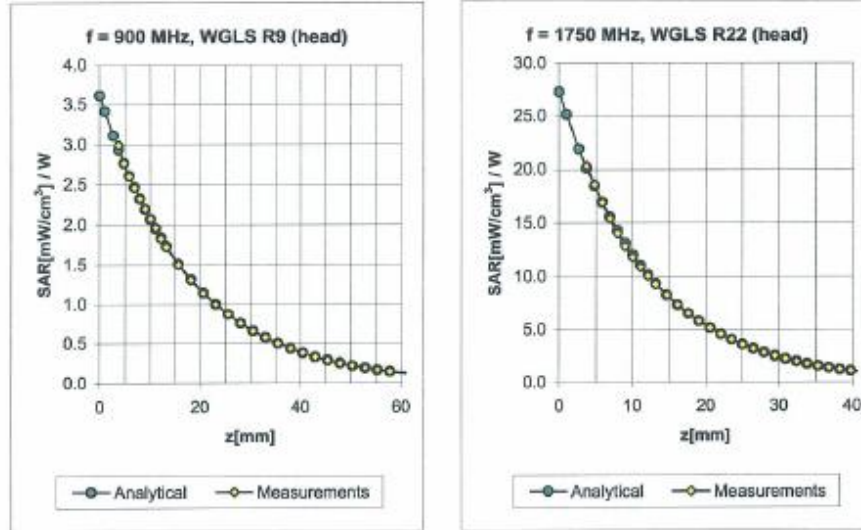


Uncertainty of Linearity Assessment: ± 0.6% (k=2)

ET3DV6 SN:1609

March 17, 2009

Conversion Factor Assessment



f [MHz]	Validity [MHz] ^c	TSL	Permittivity	Conductivity	Alpha	Depth	ConvF Uncertainty
450	± 50 / ± 100	Head	43.5 ± 5%	0.87 ± 5%	0.38	1.91	6.91 ± 13.3% (k=2)
835	± 50 / ± 100	Head	41.5 ± 5%	0.90 ± 5%	0.25	2.80	6.25 ± 11.0% (k=2)
900	± 50 / ± 100	Head	41.5 ± 5%	0.97 ± 5%	0.25	2.80	6.11 ± 11.0% (k=2)
1750	± 50 / ± 100	Head	40.1 ± 5%	1.37 ± 5%	0.39	3.57	5.39 ± 11.0% (k=2)
1900	± 50 / ± 100	Head	40.0 ± 5%	1.40 ± 5%	0.50	2.75	5.12 ± 11.0% (k=2)
1950	± 50 / ± 100	Head	40.0 ± 5%	1.40 ± 5%	0.55	2.52	5.01 ± 11.0% (k=2)
2450	± 50 / ± 100	Head	39.2 ± 5%	1.80 ± 5%	0.99	1.76	4.54 ± 11.0% (k=2)
450	± 50 / ± 100	Body	56.7 ± 5%	0.94 ± 5%	0.30	1.92	7.48 ± 13.3% (k=2)
835	± 50 / ± 100	Body	55.2 ± 5%	0.97 ± 5%	0.25	2.85	6.08 ± 11.0% (k=2)
1750	± 50 / ± 100	Body	53.4 ± 5%	1.49 ± 5%	0.77	3.05	4.89 ± 11.0% (k=2)
1900	± 50 / ± 100	Body	53.3 ± 5%	1.52 ± 5%	0.99	2.60	4.61 ± 11.0% (k=2)
2450	± 50 / ± 100	Body	52.7 ± 5%	1.95 ± 5%	0.99	1.78	4.00 ± 11.0% (k=2)

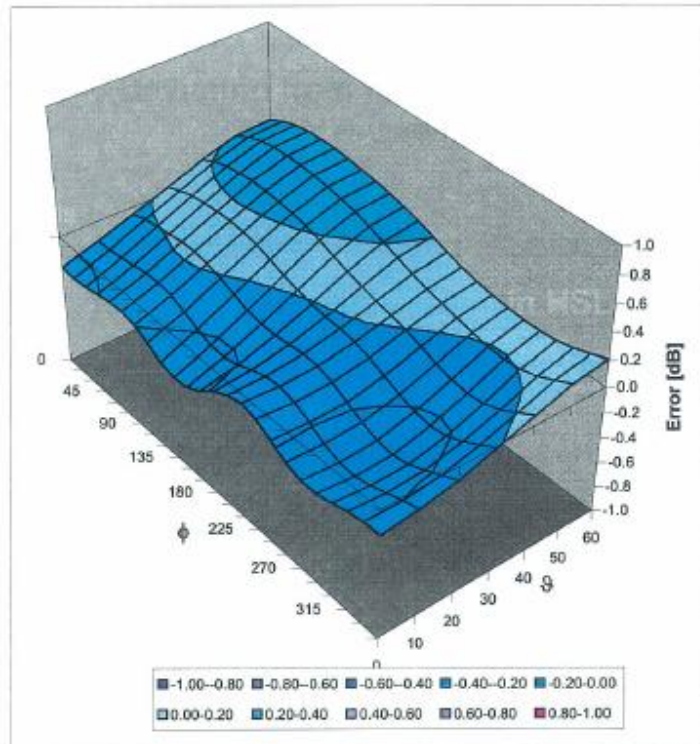
^c The validity of ± 100 MHz only applies for DASY v4.4 and higher (see Page 2). The uncertainty is the RSS of the ConvF uncertainty at calibration frequency and the uncertainty for the indicated frequency band.

ET3DV6 SN:1609

March 17, 2009

Deviation from Isotropy in HSL

Error (ϕ, θ), $f = 900$ MHz



Uncertainty of Spherical Isotropy Assessment: $\pm 2.6\%$ ($k=2$)

Attachment 4. – Dipole Calibration Data

**Calibration Laboratory of
Schmid & Partner
Engineering AG**
Zeughausstrasse 43, 8004 Zurich, Switzerland



S Schweizerischer Kalibrierdienst
C Service suisse d'étalonnage
S Servizio svizzero di taratura
S Swiss Calibration Service

Accredited by the Swiss Accreditation Service (SAS)
The Swiss Accreditation Service is one of the signatories to the EA
Multilateral Agreement for the recognition of calibration certificates

Accreditation No.: **SCS 108**

Client **HCT (Dymstec)**

Certificate No: **D835V2-441_May08**

CALIBRATION CERTIFICATE

Object: **D835V2 - SN: 441**

Calibration procedure(s): **QA CAL-05.v7
Calibration procedure for dipole validation kits**

Calibration date: **May 19, 2008**

Condition of the calibrated item: **In Tolerance**

This calibration certificate documents the traceability to national standards, which realize the physical units of measurements (SI).
The measurements and the uncertainties with confidence probability are given on the following pages and are part of the certificate.

All calibrations have been conducted in the closed laboratory facility: environment temperature (22 ± 3)°C and humidity < 70%.

Calibration Equipment used (M&TE critical for calibration)

Primary Standards	ID #	Cal Date (Calibrated by, Certificate No.)	Scheduled Calibration
Power meter EPM-442A	GB37480704	04-Oct-07 (METAS, No. 217-00736)	Oct-08
Power sensor HP 8481A	US37292783	04-Oct-07 (METAS, No. 217-00736)	Oct-08
Reference 20 dB Attenuator	SN: 5086 (20g)	07-Aug-07 (METAS, No 217-00718)	Aug-08
Type-N mismatch combination	SN: 5047.2 / 06327	08-Aug-07 (No. 217-00721)	Aug-08
Reference Probe ES3DV2	SN: 3025	28-Apr-08 (No. ES3-3025_Apr08)	Apr-09
DAE4	SN: 601	14-Mar-08 (No. DAE4-601_Mar08)	Mar-09

Secondary Standards	ID #	Check Date (in house)	Scheduled Check
Power sensor HP 8481A	MY41082317	18-Oct-02 (SPEAG, in house check Oct-07)	In house check: Oct-09
RF generator R&S SMT-06	100005	04-Aug-99 (SPEAG, in house check Oct-07)	In house check: Oct-09
Network Analyzer HP 8753E	US37390585 S4206	18-Oct-01 (SPEAG, in house check Oct-07)	In house check: Oct-08

Calibrated by:	Name: Claudio Leubler	Function: Laboratory Technician	Signature:
Approved by:	Name: Katja Pokovic	Function: Technical Manager	Signature:

Issued: May 20, 2008

This calibration certificate shall not be reproduced except in full without written approval of the laboratory.

**Calibration Laboratory of
Schmid & Partner
Engineering AG**
Zeughausstrasse 43, 8004 Zurich, Switzerland



S Schweizerischer Kalibrierdienst
C Service suisse d'étalonnage
S Servizio svizzero di taratura
S Swiss Calibration Service

Accredited by the Swiss Accreditation Service (SAS)

The Swiss Accreditation Service is one of the signatories to the EA
Multilateral Agreement for the recognition of calibration certificates

Accreditation No.: **SCS 108**

Glossary:

TSL tissue simulating liquid
ConvF sensitivity in TSL / NORM x,y,z
N/A not applicable or not measured

Calibration is Performed According to the Following Standards:

- a) IEEE Std 1528-2003, "IEEE Recommended Practice for Determining the Peak Spatial-Averaged Specific Absorption Rate (SAR) in the Human Head from Wireless Communications Devices: Measurement Techniques", December 2003
- b) IEC 62209-1, "Procedure to measure the Specific Absorption Rate (SAR) for hand-held devices used in close proximity to the ear (frequency range of 300 MHz to 3 GHz)", February 2005
- c) Federal Communications Commission Office of Engineering & Technology (FCC OET), "Evaluating Compliance with FCC Guidelines for Human Exposure to Radiofrequency Electromagnetic Fields; Additional Information for Evaluating Compliance of Mobile and Portable Devices with FCC Limits for Human Exposure to Radiofrequency Emissions", Supplement C (Edition 01-01) to Bulletin 65

Additional Documentation:

- d) DASY4/5 System Handbook

Methods Applied and Interpretation of Parameters:

- *Measurement Conditions:* Further details are available from the Validation Report at the end of the certificate. All figures stated in the certificate are valid at the frequency indicated.
- *Antenna Parameters with TSL:* The dipole is mounted with the spacer to position its feed point exactly below the center marking of the flat phantom section, with the arms oriented parallel to the body axis.
- *Feed Point Impedance and Return Loss:* These parameters are measured with the dipole positioned under the liquid filled phantom. The impedance stated is transformed from the measurement at the SMA connector to the feed point. The Return Loss ensures low reflected power. No uncertainty required.
- *Electrical Delay:* One-way delay between the SMA connector and the antenna feed point. No uncertainty required.
- *SAR measured:* SAR measured at the stated antenna input power.
- *SAR normalized:* SAR as measured, normalized to an input power of 1 W at the antenna connector.
- *SAR for nominal TSL parameters:* The measured TSL parameters are used to calculate the nominal SAR result..

Measurement Conditions

DASY system configuration, as far as not given on page 1.

DASY Version	DASY4	V4.7
Extrapolation	Advanced Extrapolation	
Phantom	Modular Flat Phantom V4.9	
Distance Dipole Center - TSL	15 mm	with Spacer
Zoom Scan Resolution	dx, dy, dz = 5 mm	
Frequency	835 MHz ± 1 MHz	

Head TSL parameters

The following parameters and calculations were applied.

	Temperature	Permittivity	Conductivity
Nominal Head TSL parameters	22.0 °C	41.5	0.90 mho/m
Measured Head TSL parameters	(22.0 ± 0.2) °C	41.1 ± 6 %	0.91 mho/m ± 6 %
Head TSL temperature during test	(21.5 ± 0.2) °C	---	----

SAR result with Head TSL

SAR averaged over 1 cm ³ (1 g) of Head TSL	Condition	
SAR measured	250 mW input power	2.32 mW / g
SAR normalized	normalized to 1W	9.28 mW / g
SAR for nominal Head TSL parameters ¹	normalized to 1W	9.17 mW / g ± 17.0 % (k=2)

SAR averaged over 10 cm ³ (10 g) of Head TSL	condition	
SAR measured	250 mW input power	1.53 mW / g
SAR normalized	normalized to 1W	6.12 mW / g
SAR for nominal Head TSL parameters ¹	normalized to 1W	6.07 mW / g ± 16.5 % (k=2)

¹ Correction to nominal TSL parameters according to d), chapter "SAR Sensitivities"

Appendix

Antenna Parameters with Head TSL

Impedance, transformed to feed point	50.4 Ω - 7.6 $j\Omega$
Return Loss	-22.4 dB

General Antenna Parameters and Design

Electrical Delay (one direction)	1.377 ns
----------------------------------	----------

After long term use with 100W radiated power, only a slight warming of the dipole near the feedpoint can be measured.

The dipole is made of standard semirigid coaxial cable. The center conductor of the feeding line is directly connected to the second arm of the dipole. The antenna is therefore short-circuited for DC-signals.

No excessive force must be applied to the dipole arms, because they might bend or the soldered connections near the feedpoint may be damaged.

Additional EUT Data

Manufactured by	SPEAG
Manufactured on	March 09, 2001

DASY4 Validation Report for Head TSL

Date/Time: 19.05.2008 12:17:50

Test Laboratory: SPEAG, Zurich, Switzerland

DUT: Dipole 835 MHz; Type: D835V2; Serial: D835V2 - SN:441

Communication System: CW-835; Frequency: 835 MHz; Duty Cycle: 1:1

Medium: HSL 900 MHz;

Medium parameters used: $f = 835$ MHz; $\sigma = 0.909$ mho/m; $\epsilon_r = 41.9$; $\rho = 1000$ kg/m³

Phantom section: Flat Section

Measurement Standard: DASY4 (High Precision Assessment)

DASY4 Configuration:

- Probe: ES3DV2 - SN3025; ConvF(5.97, 5.97, 5.97); Calibrated: 28.04.2008
- Sensor-Surface: 3.4mm (Mechanical Surface Detection)
- Electronics: DAE4 Sn601; Calibrated: 14.03.2008
- Phantom: Flat Phantom 4.9L; Type: QD000P49AA; ;
- Measurement SW: DASY4, V4.7 Build 71; Postprocessing SW: SEMCAD, V1.8 Build 184

Pin=250mW; dip=15mm; dist=3.4mm/Zoom Scan (7x7x7)/Cube 0:

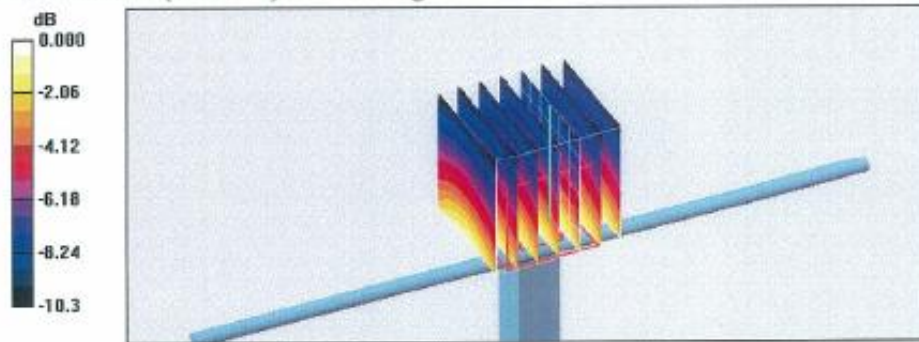
Measurement grid: dx=5mm, dy=5mm, dz=5mm

Reference Value = 55.1 V/m; Power Drift = -0.008 dB

Peak SAR (extrapolated) = 3.38 W/kg

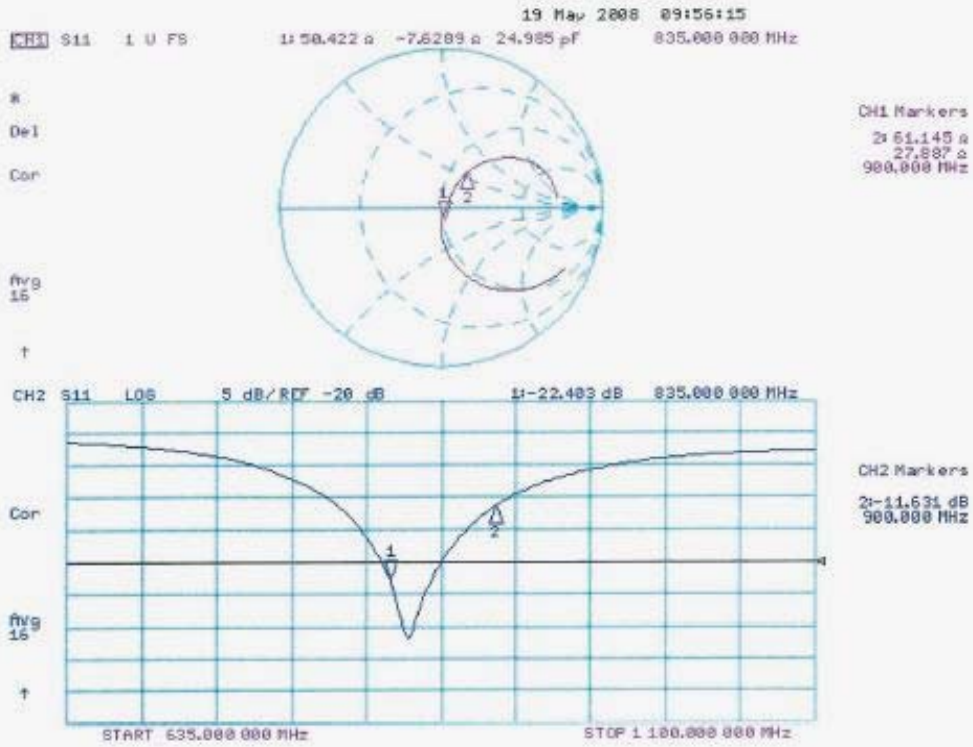
SAR(1 g) = 2.32 mW/g; SAR(10 g) = 1.53 mW/g

Maximum value of SAR (measured) = 2.62 mW/g



0 dB = 2.62mW/g

Impedance Measurement Plot for Head TSL



**Calibration Laboratory of
Schmid & Partner
Engineering AG**
Zeughausstrasse 43, 8004 Zurich, Switzerland



S Schweizerischer Kalibrierdienst
C Service suisse d'étalonnage
S Servizio svizzero di taratura
S Swiss Calibration Service

Accredited by the Swiss Accreditation Service (SAS)
The Swiss Accreditation Service is one of the signatories to the EA
Multilateral Agreement for the recognition of calibration certificates

Accreditation No.: **SCS 108**

Client **H-CT (Dymstec)**

Certificate No: **D1900V2-5d032-Jul08**

CALIBRATION CERTIFICATE

Object **D1900V2 - SN: 5d032**

Calibration procedure(s) **QA CAL-05.v7
Calibration procedure for dipole validation kits**

Calibration date: **July 22, 2008**

Condition of the calibrated item **In Tolerance**

This calibration certificate documents the traceability to national standards, which realize the physical units of measurements (SI).
The measurements and the uncertainties with confidence probability are given on the following pages and are part of the certificate.

All calibrations have been conducted in the closed laboratory facility; environment temperature (22 ± 3)°C and humidity < 70%.

Calibration Equipment used (M&TE critical for calibration)

Primary Standards	ID #	Cal Date (Calibrated by, Certificate No.)	Scheduled Calibration
Power meter EPM-442A	GB37480704	04-Oct-07 (No. 217-00736)	Oct-08
Power sensor HP 8481A	US37292783	04-Oct-07 (No. 217-00736)	Oct-08
Reference 20 dB Attenuator	SN: 5086 (20g)	01-Jul-08 (No. 217-00864)	Jul-09
Type-N mismatch combination	SN: 5047.2 / 06327	01-Jul-08 (No. 217-00867)	Jul-09
Reference Probe ES3DV2	SN: 3025	28-Apr-08 (No. ES3-3025_Apr08)	Apr-09
DAE4	SN: 601	14-Mar-08 (No. DAE4-601_Mar08)	Mar-09
Secondary Standards	ID #	Check Date (in house)	Scheduled Check
Power sensor HP 8481A	MY41092317	18-Oct-02 (in house check Oct-07)	In house check: Oct-09
RF generator R&S SMT-06	100005	4-Aug-99 (in house check Oct-07)	In house check: Oct-09
Network Analyzer HP 8753E	US37390585 S4206	18-Oct-01 (in house check Oct-07)	In house check: Oct-08

	Name	Function	Signature
Calibrated by:	Jeton Kastrati	Laboratory Technician	
Approved by:	Katja Pokovic	Technical Manager	

Issued: July 22, 2008

This calibration certificate shall not be reproduced except in full without written approval of the laboratory.

Calibration Laboratory of
Schmid & Partner
Engineering AG
Zeughausstrasse 43, 8004 Zurich, Switzerland



S Schweizerischer Kalibrierdienst
C Service suisse d'étalonnage
S Servizio svizzero di taratura
S Swiss Calibration Service

Accredited by the Swiss Accreditation Service (SAS)
The Swiss Accreditation Service is one of the signatories to the EA
Multilateral Agreement for the recognition of calibration certificates

Accreditation No.: **SCS 108**

Glossary:

TSL	tissue simulating liquid
ConvF	sensitivity in TSL / NORM x,y,z
N/A	not applicable or not measured

Calibration is Performed According to the Following Standards:

- IEEE Std 1528-2003, "IEEE Recommended Practice for Determining the Peak Spatial-Averaged Specific Absorption Rate (SAR) in the Human Head from Wireless Communications Devices: Measurement Techniques", December 2003
- CENELEC EN 50361, "Basic standard for the measurement of Specific Absorption Rate related to human exposure to electromagnetic fields from mobile phones (300 MHz - 3 GHz), July 2001
- Federal Communications Commission Office of Engineering & Technology (FCC OET), "Evaluating Compliance with FCC Guidelines for Human Exposure to Radiofrequency Electromagnetic Fields; Additional Information for Evaluating Compliance of Mobile and Portable Devices with FCC Limits for Human Exposure to Radiofrequency Emissions", Supplement C (Edition 01-01) to Bulletin 65

Additional Documentation:

- DASY4/5 System Handbook

Methods Applied and Interpretation of Parameters:

- Measurement Conditions:* Further details are available from the Validation Report at the end of the certificate. All figures stated in the certificate are valid at the frequency indicated.
- Antenna Parameters with TSL:* The dipole is mounted with the spacer to position its feed point exactly below the center marking of the flat phantom section, with the arms oriented parallel to the body axis.
- Feed Point Impedance and Return Loss:* These parameters are measured with the dipole positioned under the liquid filled phantom. The impedance stated is transformed from the measurement at the SMA connector to the feed point. The Return Loss ensures low reflected power. No uncertainty required.
- Electrical Delay:* One-way delay between the SMA connector and the antenna feed point. No uncertainty required.
- SAR measured:* SAR measured at the stated antenna input power.
- SAR normalized:* SAR as measured, normalized to an input power of 1 W at the antenna connector.
- SAR for nominal TSL parameters:* The measured TSL parameters are used to calculate the nominal SAR result.

Measurement Conditions

DASY system configuration, as far as not given on page 1.

DASY Version	DASY4	V4.7
Extrapolation	Advanced Extrapolation	
Phantom	Modular Flat Phantom V5.0	
Distance Dipole Center - TSL	10 mm	with Spacer
Zoom Scan Resolution	dx, dy, dz = 5 mm	
Frequency	1900 MHz ± 1 MHz	

Head TSL parameters

The following parameters and calculations were applied.

	Temperature	Permittivity	Conductivity
Nominal Head TSL parameters	22.0 °C	40.0	1.40 mho/m
Measured Head TSL parameters	(22.0 ± 0.2) °C	38.8 ± 6 %	1.47 mho/m ± 6 %
Head TSL temperature during test	(22.0 ± 0.2) °C	---	---

SAR result with Head TSL

SAR averaged over 1 cm³ (1 g) of Head TSL	condition	
SAR measured	250 mW input power	9.82 mW / g
SAR normalized	normalized to 1W	39.3 mW / g
SAR for nominal Head TSL parameters ¹	normalized to 1W	37.7 mW / g ± 17.0 % (k=2)

SAR averaged over 10 cm³ (10 g) of Head TSL	Condition	
SAR measured	250 mW input power	5.05 mW / g
SAR normalized	normalized to 1W	20.2 mW / g
SAR for nominal Head TSL parameters ¹	normalized to 1W	19.7 mW / g ± 16.5 % (k=2)

¹ Correction to nominal TSL parameters according to d), chapter "SAR Sensitivities"

Appendix**Antenna Parameters with Head TSL**

Impedance, transformed to feed point	53.5 Ω + 4.9 j Ω
Return Loss	- 24.8 dB

General Antenna Parameters and Design

Electrical Delay (one direction)	1.185 ns
----------------------------------	----------

After long term use with 100W radiated power, only a slight warming of the dipole near the feedpoint can be measured.

The dipole is made of standard semirigid coaxial cable. The center conductor of the feeding line is directly connected to the second arm of the dipole. The antenna is therefore short-circuited for DC-signals.

No excessive force must be applied to the dipole arms, because they might bend or the soldered connections near the feedpoint may be damaged.

Additional EUT Data

Manufactured by	SPEAG
Manufactured on	March 17, 2003

DASY4 Validation Report for Head TSL

Date/Time: 22.07.2008 10:06:43

Test Laboratory: SPEAG, Zurich, Switzerland

DUT: Dipole 1900 MHz; Type: D1900V2; Serial: D1900V2 - SN:5d032

Communication System: CW; Frequency: 1900 MHz; Duty Cycle: 1:1

Medium: HSL U10 BB;

Medium parameters used: $f = 1900$ MHz; $\sigma = 1.47$ mho/m; $\epsilon_r = 38.8$; $\rho = 1000$ kg/m³

Phantom section: Flat Section

Measurement Standard: DASY4 (High Precision Assessment)

DASY4 Configuration:

- Probe: ES3DV2 - SN3025; ConvF(4.9, 4.9, 4.9); Calibrated: 28.04.2008
- Sensor-Surface: 3.4mm (Mechanical Surface Detection)
- Electronics: DAE4 Sn601; Calibrated: 14.03.2008
- Phantom: Flat Phantom 5.0 (front); Type: QD000P50AA; ;
- Measurement SW: DASY4, V4.7 Build 71; Postprocessing SW: SEMCAD, V1.8 Build 184

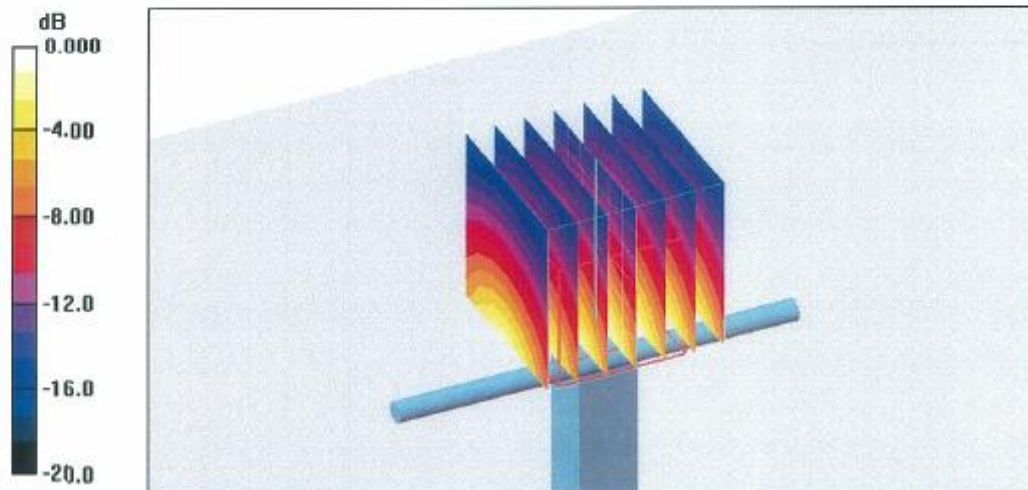
Pin = 250 mW; dip = 10 mm, scan at 3.4mm/Zoom Scan (dist=3.4mm, probe 0deg)**(7x7x7)/Cube 0:** Measurement grid: dx=5mm, dy=5mm, dz=5mm

Reference Value = 92.2 V/m; Power Drift = 0.010 dB

Peak SAR (extrapolated) = 18.2 W/kg

SAR(1 g) = 9.82 mW/g; SAR(10 g) = 5.05 mW/g

Maximum value of SAR (measured) = 11.9 mW/g



0 dB = 11.9mW/g

Impedance Measurement Plot for Head TSL

