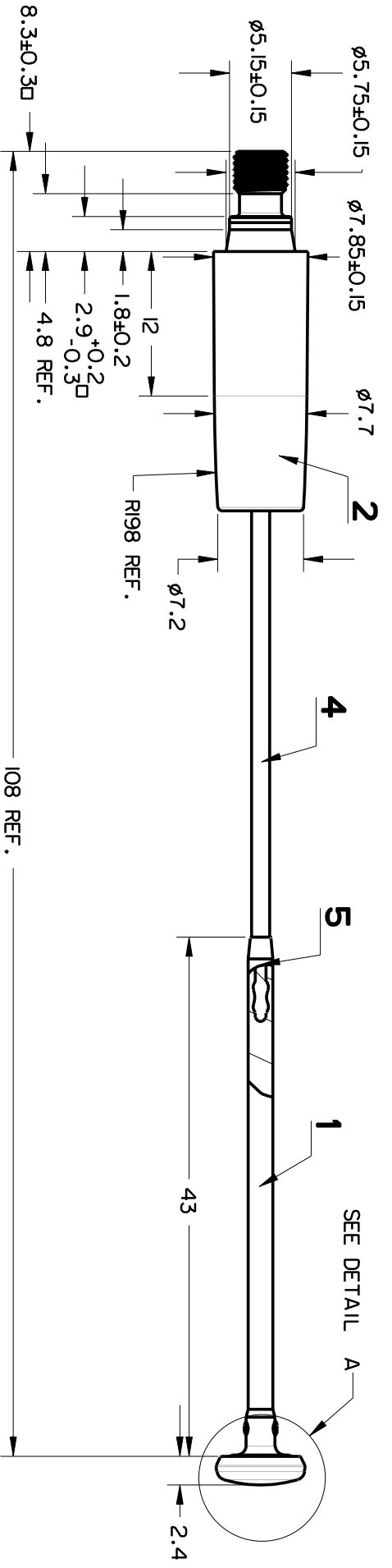
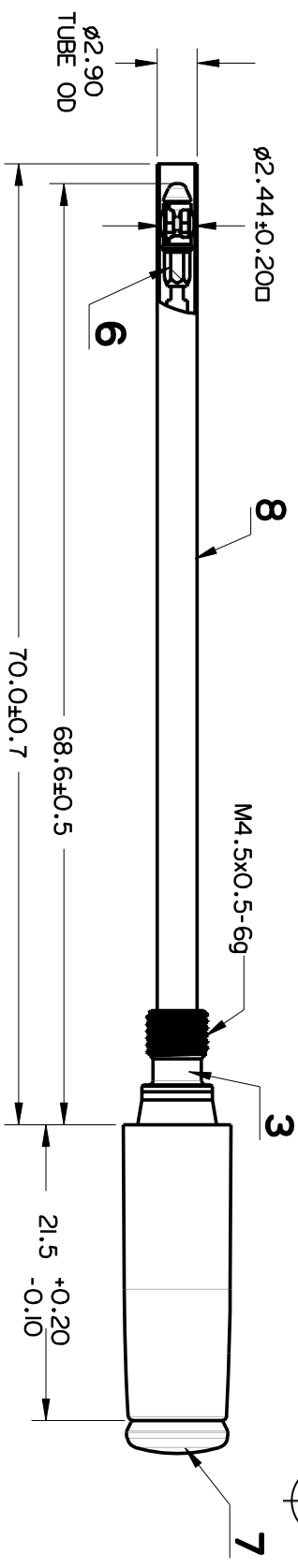
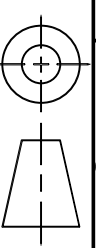
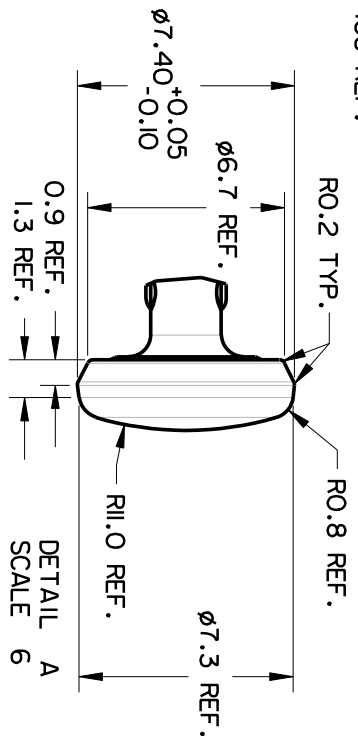


ALL DIMENSIONS IN MILLIMETERS UNLESS OTHERWISE STATED. DO NOT SCALE - IF IN DOUBT, ASK!! SEE COVER SHEET FOR PERTINENT INFORMATION



8	Plastic: PA12	Color: Black
7	Free Cutting Brass ISO CuZn39Pb3 (MS 58A)	Sr-Co Plating
6	Free Cutting Brass ISO CuZn39Pb3 (MS 58A)	
5	Ni-Ti-Cr Super Elastic Alloy	
4	Plastic: Polyurethane-Shore 40D	Color: Cool Gray 7C
3	Free Cutting Brass ISO CuZn39Pb3 (MS 58A)	Color: Silver, UV Cooling
2	Plastic: Grilamid ELY	Color: Cool Gray 7C
1	Plastic: Nylon 6/6	Color: Cool Gray 7C



CAD FILE: **020678114-2813CLOSE** GALTRONICS CONFIDENTIAL PROPRIETARY INFORMATION - MAY NOT BE COPIED OR DISCLOSED PAGE 2 OF 2

<p>GALTRONICS</p>	ENGINEER	OS	CHECKED		<p>ANTENNA M4.5 STUD</p> <p>CDMA/AMPS/PCS/GPS</p> <p>CURITEL TX160C</p>	DWG. NO.:	A3	REV.
	DRAWN	MB	APPVD.			<p>020678114-2813</p>	P3	
THIS PRINT IS GALTRONICS CONFIDENTIAL	DATE	23.6.04	DATE					