



SAR TEST REPORT

HCT CO., LTD

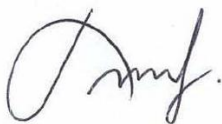

EUT Type:	USM Modem GPRS Class 10 and GPRS mode class B(GPRS and GSM, but not simultaneously)		
FCC ID:	PP4PX-5000		
Model:	UMW190	Trade Name	PANTECH&CURITEL
Date of Issue:	May 14, 2009		
Test report No.:	HCT-IA0904-1904		
Test Laboratory:	HCT CO., LTD. SAN 136-1, AMI-RI, BUBAL-EUP, ICHEON-SI, KYOUNGKI-DO, 467-701, KOREA TEL: +82 31 639 8565 FAX: +82 31 639 8525		
Applicant :	PANTECH&CURITEL COMMUNICATIONS, INC. 110-1, ONGJEONG-RI, TONGJIN-EUP, GIMPO-SI, GYOUNGGI-DO, 415-865, KOREA Tel: +82-2-2030-1220 Fax: +82-2-2030-2520 E-Mail: kpson@pantech.com		
Testing has been carried out in accordance with:	47CFR §2.1093 FCC OET Bulletin 65(Edition 97-01), Supplement C (Edition 01-01) ANSI/ IEEE C95.1 – 2005 IEEE 1528-2003		
Test result:	The tested device complies with the requirements in respect of all parameters subject to the test. The test results and statements relate only to the items tested. The test report shall not be reproduced except in full, without written approval of the laboratory.		
Signature	 <hr/> Report prepared by : Sun-Hee Kim Test Engineer of SAR Part		 <hr/> Approved by : Jae-Sang So Manager of SAR Part

Table of Contents

1. INTRODUCTION	3
2. DESCRIPTION OF DEVICE.....	4
3. DESCRIPTION OF TEST EQUIPMENT	5
3.1 SAR MEASUREMENT SETUP	5
3.2 DASY E-FIELD PROBE SYSTEM	6
3.3 PROBE CALIBRATION PROCESS	7
3.4 SAM Phantom	9
3.5 Device Holder for Transmitters.....	9
3.6 Brain & Muscle Simulating Mixture Characterization	10
3.7 SAR TEST EQUIPMENT	11
4. SAR MEASUREMENT PROCEDURE	12
5. DESCRIPTION OF TEST POSITION.....	13
5.1 HEAD POSITION	13
5.2 Body Holster/Belt Clip Configurations	14
5.3 Test Configurations.....	15
6. MEASUREMENT UNCERTAINTY	16
7. ANSI/ IEEE C95.1 - 2005 RF EXPOSURE LIMITS.....	17
8. SYSTEM VERIFICATION	18
8.1 Tissue Verification	18
8.2 System Validation.....	18
9. 3G MEASUREMENT PROCEDURES	19
9.1 Procedures Used To Establish Test Signal.....	19
9.2 SAR Measurement Conditions for CDMA2000 1x	19
9.2.5 SAR Measurement Conditions for UMTS Handsets with HSDPA	21
10. SAR TEST DATA SUMMARY	24
10.1 Measurement Results (CDMA835 Body SAR).....	23
10.2 Measurement Results (PCS1900 Body SAR).....	25
10.3 Measurement Results (GSM850 Body SAR)	26
10.4 Measurement Results (GSM1900 Body SAR)	27
10.5 Measurement Results (WCDMA850 Body SAR)	28
10.6 Measurement Results (WCDMA1900 Body SAR)	29
11. CONCLUSION	30
12. REFERENCES	31
Attachment 1. – SAR Test Plots.....	32
Attachment 2. – Dipole Validation Plots.....	101
Attachment 3. – Probe Calibration Data	108
Attachment 4. – Dipole Calibration Data	118

1. INTRODUCTION

The FCC has adopted the guidelines for evaluating the environmental effects of radio frequency radiation in ET Docket 93-62 on Aug. 6, 1996 to protect the public and workers from the potential hazards of RF emissions due to FCC-regulated portable devices.

The safety limits used for the environmental evaluation measurements are based on the criteria published by the American National Standards Institute (ANSI) for localized specific absorption rate (SAR) in IEEE/ANSI C95.1-2005 Standard for Safety Levels with Respect to Human Exposure to Radio Frequency Electromagnetic Fields, 3 kHz to 300 GHz. 1992 by the Institute of Electrical and Electronics Engineers, Inc., New York, New York 10017. The measurement procedure described in IEEE/ANSI C95.3-1992 Recommended Practice for the Measurement of Potentially Hazardous Electromagnetic Fields - RF and Microwave is used for guidance in measuring SAR due to the RF radiation exposure from the Equipment Under Test (EUT). These criteria for SAR evaluation are similar to those recommended by the National Council on Radiation Protection and Measurements (NCRP) in Biological Effects and Exposure Criteria for Radio frequency Electromagnetic Fields," NCRP Report No. 86 NCRP, 1986, Bethesda, MD 20814. SAR is a measure of the rate of energy absorption due to exposure to an RF transmitting source. SAR values have been related to threshold levels for potential biological hazards.

SAR Definition

Specific Absorption Rate (SAR) is defined as the time derivative of the incremental electromagnetic energy (dW) absorbed by (dissipated in) an incremental mass (dm) contained in a volume element (dV) of a given density (r). It is also defined as the rate of RF energy absorption per unit mass at a point in an absorbing body.

$$SAR = \frac{d}{dt} \left(\frac{dU}{dm} \right) = \frac{d}{dt} \left(\frac{dU}{\rho dV} \right)$$

Figure 2. SAR Mathematical Equation

SAR is expressed in units of Watts per Kilogram (W/kg).

SAR = $\sigma E^2 / \rho$

where:

- σ = conductivity of the tissue-simulant material (S/m)
- ρ = mass density of the tissue-simulant material (kg/m³)
- E = Total RMS electric field strength (V/m)

NOTE: The primary factors that control rate of energy absorption were found to be the wavelength of the incident field in relations to the dimensions and geometry of the irradiated organism, the orientation of the organism in relation to the polarity of field vectors, the presence of reflecting surfaces, and whether conductive contact is made by the organism with a ground plane.

2. DESCRIPTION OF DEVICE

Environmental evaluation measurements of specific absorption rate (SAR) distributions in emulated human head and body tissues exposed to radio frequency (RF) radiation from wireless portable devices for compliance with the rules and regulations of the U.S. Federal Communications Commission (FCC).

EUT Type	USM Modem GPRS Class 10 and GPRS mode class B(GPRS and GSM, but not simultaneously)		
FCC ID	PP4PX-5000	Model(s)	UMW190
Trade Name	PANTECH&CURITEL		
Serial Number(s)	#1		
Application Type	Certification		
Modulation(s)	CDMA835/PCS1900/GSM850/GSM1900/WCDMA850/WCDMA1900		
Tx Frequency	824.70 - 848.31 MHz (CDMA) 824.20 - 848.80 MHz (GSM850) 826.4 - 846.6 MHz (WCDMA850) 1 851.25 – 1 908.75 MHz (PCS CDMA) 1 850.20 – 1 909.80 MHz (GSM1900) 1 852.4 – 1 907.6 MHz (WCDMA1900)		
Rx Frequency	869.70 - 893.31 MHz (CDMA) 869.20 - 893.80 MHz (GSM850) 871.4 - 891.6 (WCDMA850) 1 931.25 – 1 988.75 MHz (PCS CDMA) 1 930.20 – 1 989.80 MHz (GSM1900) 1 932.4 – 1 987.6 MHz (WCDMA1900)		
FCC Classification	Licensed Portable Transmitter Held to Ear (PCE)		
Production Unit or Identical Prototype	Prototype		
Max. SAR	1.06 W/kg CDMA835 Body SAR 1.04 W/kg PCS1900 Body SAR 1.13 W/kg GSM850 Body SAR 0.893 W/kg GSM1900 Body SAR 1.03 W/kg WCDMA850 Body SAR 0.938 W/kg WCDMA1900 Body SAR		
Date(s) of Tests	May 7, 2009 ~ May 8, 2009		
Antenna Type	Intenna		

3. DESCRIPTION OF TEST EQUIPMENT

3.1 SAR MEASUREMENT SETUP

These measurements are performed using the DASY4 automated dosimetric assessment system. It is made by Schmid & Partner Engineering AG (SPEAG) in Zurich, Switzerland. It consists of high precision robotics system (Staubli), robot controller, Pentium III computer, near-field probe, probe alignment sensor, and the generic twin phantom containing the brain equivalent material. The robot is a six-axis industrial robot performing precise movements to position the probe to the location (points) of maximum electromagnetic field (EMF) (see Figure.3.1).

A cell controller system contains the power supply, robot controller, teach pendant (Joystick), and remote control, is used to drive the robot motors. The PC consists of the HP Pentium IV 3.0 GHz computer with Windows XP system and SAR Measurement Software DASY4, A/D interface card, monitor, mouse, and keyboard. The Staubli Robot is connected to the cell controller to allow software manipulation of the robot. A data acquisition electronic (DAE) circuit performs the signal amplification, signal multiplexing, AD-conversion, offset measurements, mechanical surface detection, collision detection, etc. is connected to the Electro-optical coupler (EOC). The EOC performs the conversion from the optical into digital electric signal of the DAE and transfers data to the PC plug-in card.

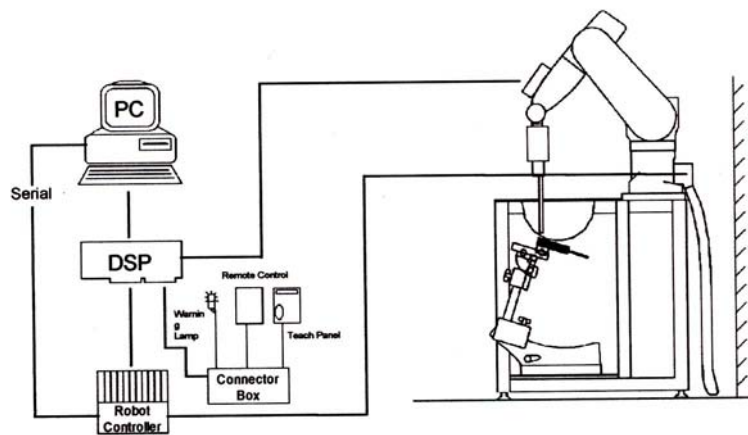


Figure 3.1 HCT SAR Lab. Test Measurement Set-up

The DAE4 consists of a highly sensitive electrometer-grade preamplifier with auto-zeroing, a channel and gain-switching multiplexer, a fast 16 bit AD-converter and a command decoder and control logic unit. Transmission to the PC-card is accomplished through an optical downlink for data and status information and an optical uplink for commands and clock lines. The mechanical probe mounting device includes two different sensor systems for frontal and sidewise probe contacts. They are also used for mechanical surface detection and probe collision detection. The robot uses its own controller with a built in VME-bus computer. The system is described in detail in.

3.2 DASY E-FIELD PROBE SYSTEM

3.2.1 ES3DV6 Probe Specification

Construction	Symmetrical design with triangular core Built-in optical fiber for surface detection System Built-in shielding against static charges
Calibration	In air from 10 MHz to 2.5 GHz In brain and muscle simulating tissue at Frequencies of 450 MHz, 900 MHz and 1.8 GHz (accuracy: 8 %)
Frequency	10 MHz to > 6 GHz; Linearity: ± 0.2 dB (30 MHz to 3 GHz)
Directivity	± 0.2 dB in brain tissue (rotation around probe axis) ± 0.4 dB in brain tissue (rotation normal probe axis)
Dynamic	5 μ W/g to > 100 mW/g;
Range Linearity:	± 0.2 dB
Surface Detection	± 0.2 mm repeatability in air and clear liquids over diffuse reflecting surfaces.
Dimensions	Overall length: 330 mm Tip length: 16 mm Body diameter: 12 mm Tip diameter: 6.8 mm Distance from probe tip to dipole centers: 2.7 mm
Application	General dissymmetry up to 3 GHz Compliance tests of mobile phones Fast automatic scanning in arbitrary phantoms

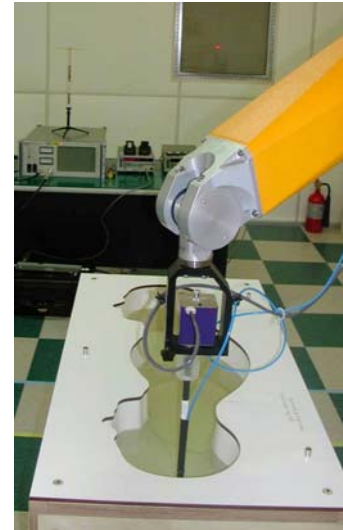


Figure 3.2 Photograph of the probe and the Phantom

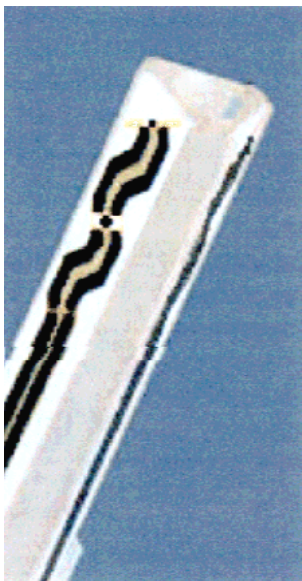


Figure 3.3 ET3DV6 E-field Probe

The SAR measurements were conducted with the dosimetric probe ET3DV6, designed in the classical triangular configuration and optimized for dosimetric evaluation. The probe is constructed using the thick film technique; with printed resistive lines on ceramic substrates. The probe is equipped with an optical multifiber line ending at the front of the probe tip. It is connected to the EOC box on the robot arm and provides an automatic detection of the phantom surface. Half of the fibers are connected to a pulsed infrared transmitter, the other half to a synchronized receiver. As the probe approaches the surface, the reflection from the surface produces a coupling from the transmitting to the receiving fibers. This reflection increases first during the approach, reaches a maximum and then decreases. If the probe is flatly touching the surface, the coupling is zero. The distance of the coupling maximum to the surface is independent of the surface reflectivity and largely independent of the surface to probe angle. The DASY4 software reads the reflection during a software approach and looks for the maximum using a 2nd order fitting. The approach is stopped at reaching the maximum.

3.3 PROBE CALIBRATION PROCESS

3.3.1 E-Probe Calibration

Each probe is calibrated according to a dosimetric assessment procedure with an accuracy better than ± 10 %. The spherical isotropy was evaluated with the proper procedure and found to be better than ± 0.25 dB. The sensitivity parameters (NormX, NormY, NormZ), the diode compression parameter (DCP) and the conversion factor (ConvF) of the probe is tested.

The free space E-field from amplified probe outputs is determined in a test chamber. This is performed in a TEM cell for frequencies bellow 1 GHz, and in a waveguide above 1 GHz for free space. For the free space calibration, the probe is placed in the volumetric center of the cavity and at the proper orientation with the field. The probe is then rotated 360 degrees.

E-field temperature correlation calibration is performed in a flat phantom filled with the appropriate simulated brain tissue. The measured free space E-field in the medium correlates to temperature rise in a dielectric medium. For temperature correlation calibration a RF transparent thermistor-based temperature probe is used in conjunction with the E-field probe.

$$SAR = C \frac{\Delta T}{\Delta t}$$

where:

- Δt = exposure time (30 seconds),
- C = heat capacity of tissue (brain or muscle),
- ΔT = temperature increase due to RF exposure.

SAR is proportional to $\Delta T / \Delta t$, the initial rate of tissue heating, before thermal diffusion takes place. Now it's possible to quantify the electric field in the simulated tissue by equating the thermally derived SAR to the E- field;

$$SAR = \frac{|E|^2 \cdot \sigma}{\rho}$$

where:

- σ = simulated tissue conductivity,
- ρ = Tissue density (1.25 g/cm³ for brain tissue)

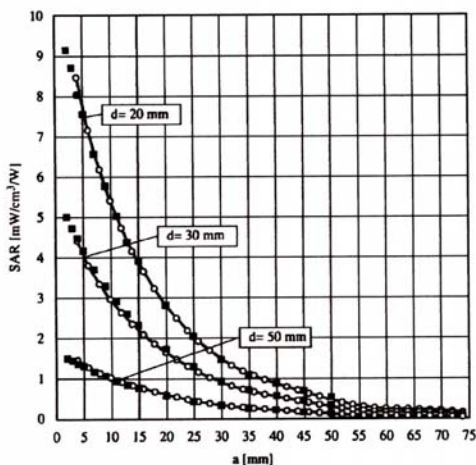


Figure 3.4 E-Field and Temperature measurements at 900 MHz

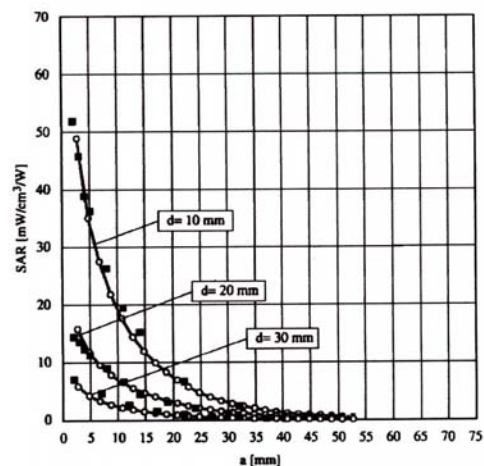


Figure 3.5 E-Field and temperature measurements at 1.8 GHz

3.3.2 Data Extrapolation

The DASY4 software automatically executes the following procedures to calculate the field units from the microvolt readings at the probe connector. The first step of the evaluation is a linearization of the filtered input signal to account for the compression characteristics of the detector diode. The compensation depends on the input signal, the diode type and the DC-transmission factor from the diode to the evaluation electronics. If the exciting field is pulsed, the crest factor of the signal must be known to correctly compensate for peak power. The formula for each channel can be given like below;

$$V_i = U_i + U_i^2 \cdot \frac{cf}{dcp_i}$$

with V_i = compensated signal of channel i (i=x,y,z)
 U_i = input signal of channel i (i=x,y,z)
 cf = crest factor of exciting field (DASY parameter)
 dcp_i = diode compression point (DASY parameter)

From the compensated input signals the primary field data for each channel can be evaluated:

E-field probes:

$$E_i = \sqrt{\frac{V_i}{Norm_i \cdot ConvF}}$$

with V_i = compensated signal of channel i (i = x,y,z)
 $Norm_i$ = sensor sensitivity of channel i (i = x,y,z)
 $\mu V/(V/m)^2$ for E-field probes
 $ConvF$ = sensitivity of enhancement in solution
 E_i = electric field strength of channel i in V/m

The RSS value of the field components gives the total field strength (Hermetian magnitude):

$$E_{tot} = \sqrt{E_x^2 + E_y^2 + E_z^2}$$

The primary field data are used to calculate the derived field units.

$$SAR = E_{tot}^2 \cdot \frac{\sigma}{\rho \cdot 1000}$$

with SAR = local specific absorption rate in W/g
 E_{tot} = total field strength in V/m
 σ = conductivity in [mho/m] or [Siemens/m]
 ρ = equivalent tissue density in g/cm³

The power flow density is calculated assuming the excitation field to be a free space field.

$$P_{free} = \frac{E_{tot}^2}{3770}$$

with P_{pwe} = equivalent power density of a plane wave in W/cm²
 E_{tot} = total electric field strength in V/m

3.4 SAM Phantom

The SAM Phantom is constructed of a fiberglass shell integrated in a wooden table. The shape of the shell is based on data from an anatomical study designed to determine the maximum exposure in at least 90 % of all users. It enables the dosimetric evaluation of left and right hand phone usage as well as body mounted usage at the flat phantom region. A cover prevents the evaporation of the liquid. Reference markings on the Phantom allow the complete setup of all predefined phantom positions and measurement grids by manually teaching three points in the robot.

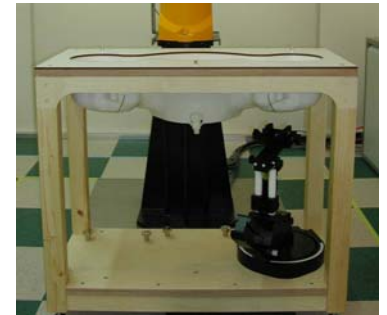


Figure 3.6 SAM Phantom

Shell Thickness	2.0 mm
Filling Volume	about 30 L
Dimensions	810 mm x 1 000 mm x 500 mm (H x L x W)

3.5 Device Holder for Transmitters

In combination with the SAM Phantom V 4.0, the Mounting Device (POM) enables the rotation of the mounted transmitter in spherical coordinates whereby the rotation points is the ear opening. The devices can be easily, accurately, and repeatably positioned according to the FCC and CENELEC specifications. The device holder can be locked at different phantom locations (left head, right head, flat phantom).

Note: A simulating human hand is not used due to the complex anatomical and geometrical structure of the hand that may produce an infinite number of configurations. To produce the Worst-case condition (the hand absorbs antenna output power), the hand is omitted during the tests.



Figure 3.7 Device Holder

3.6 Brain & Muscle Simulating Mixture Characterization

The brain and muscle mixtures consist of a viscous gel using hydrox-ethyl cellulose (HEC) gelling agent and saline solution (see Table 3.1). Preservation with a bactericide is added and visual inspection is made to make sure air bubbles are not trapped during the mixing process. The mixture is calibrated to obtain proper dielectric constant (permittivity) and conductivity of the desired tissue. The mixture characterizations used for the brain and muscle tissue simulating liquids are according to the data by C. Gabriel and G. Hartsgrove.

Ingredients (% by weight)	Frequency (MHz)									
	450		835		915		1 900		2 450	
Tissue Type	Head	Body	Head	Body	Head	Body	Head	Body	Head	Body
Water	38.56	51.16	41.45	52.4	41.05	56.0	54.9	40.4	62.7	73.2
Salt (NaCl)	3.95	1.49	1.45	1.4	1.35	0.76	0.18	0.5	0.5	0.04
Sugar	56.32	46.78	56.0	45.0	56.5	41.76	0.0	58.0	0.0	0.0
HEC	0.98	0.52	1.0	1.0	1.0	1.21	0.0	1.0	0.0	0.0
Bactericide	0.19	0.05	0.1	0.1	0.1	0.27	0.0	0.1	0.0	0.0
Triton X-100	0.0	0.0	0.0	0.0	0.0	0.0	0.0	0.0	36.8	0.0
DGBE	0.0	0.0	0.0	0.0	0.0	0.0	44.92	0.0	0.0	26.7

Salt: 99 % Pure Sodium Chloride Sugar: 98 % Pure Sucrose
 Water: De-ionized, 16M resistivity HEC: Hydroxyethyl Cellulose
 DGBE: 99 % Di(ethylene glycol) butyl ether,[2-(2-butoxyethoxy) ethanol]
 Triton X-100(ultra pure): Polyethylene glycol mono[4-(1,1,3,3-tetramethylbutyl)phenyl] ether

Table 3.1 Composition of the Tissue Equivalent Matter

3.7 SAR TEST EQUIPMENT

Manufacturer	Type / Model	S/N	Calib. Date	Calib.Interval	Calib.Due
SPEAG	SAM Phantom	-	N/A	N/A	N/A
Staubli	Robot RX90L	F01/5K09A1/A/01	N/A	N/A	N/A
Staubli	Robot ControllerCS7MB	F99/5A82A1/C/01	N/A	N/A	N/A
HP	Pavilion t000_puffer	KRJ51201TV	N/A	N/A	N/A
SPEAG	Light Alignment Sensor	265	N/A	N/A	N/A
Staubli	Teach Pendant (Joystick)	D221340.01	N/A	N/A	N/A
SPEAG	DAE4	869	Sept. 03, 2008	Annual	Sept. 03, 2009
SPEAG	E-Field Probe ET3DV6	1609	Mar. 17, 2009	Annual	Mar. 17, 2010
SPEAG	Validation Dipole D450V2	1007	July 15, 2008	Biennial	July 15, 2010
SPEAG	Validation Dipole D835V2	441	May 19, 2008	Biennial	May 19, 2010
SPEAG	Validation Dipole D900V2	130	Aug. 25, 2008	Biennial	Aug. 25, 2010
SPEAG	Validation Dipole D1800V2	2d007	May 20, 2008	Biennial	May 20, 2010
SPEAG	Validation Dipole D1900V2	5d032	July 22, 2008	Biennial	July 22, 2010
SPEAG	Validation Dipole D2450V2	743	Aug. 27, 2008	Biennial	Aug. 27, 2010
Agilent	Power Meter(F) E4419B	MY41291386	Nov. 05, 2008	Annual	Nov. 05, 2009
Agilent	Power Sensor(G) 8481	MY41090870	Nov. 05, 2008	Annual	Nov. 05, 2009
HP	Dielectric Probe Kit 85070C	00721521	N/A	N/A	N/A
HP	Dual Directional Coupler	16072	Nov. 05, 2008	Annual	Nov. 05, 2009
R&S	Base Station CMU200	110740	July 26, 2008	Annual	July 26, 2009
Agilent	Base Station E5515C	GB44400269	Feb. 10, 2009	Annual	Feb. 10, 2010
HP	Signal Generator E4438C	MY42082646	Dec. 24, 2008	Annual	Dec. 24, 2009
HP	Network Analyzer 8753C	3310J01394	Dec. 04, 2008	Annual	Dec. 04, 2009
EM POWER	Power Amp BBS3Q7ELU	1009D/C0028	Nov. 05, 2008	Annual	Nov. 05, 2009
Tescom	TC-3000/ Bluetooth	3000A490112	Jan. 09, 2009	Annual	Jan. 09, 2010

NOTE:

The E-field probe was calibrated by SPEAG, by the waveguide technique procedure. Dipole Validation measurement is performed by HCT Lab. before each test. The brain simulating material is calibrated by HCT using the dielectric probe system and network analyzer to determine the conductivity and permittivity (dielectric constant) of the brain-equivalent material.

4. SAR MEASUREMENT PROCEDURE

The evaluation was performed with the following procedure:

1. The SAR value at a fixed location above the ear point was measured and was used as a reference value for assessing the power drop.
2. The SAR distribution at the exposed side of the head was measured at a distance of 3.9 mm from the inner surface of the shell. The area covered the entire dimension of the head and the horizontal grid spacing was 20 mm x 20 mm. Based on this data, the area of the maximum absorption was determined by spline interpolation.
3. Around this point, a volume of 32 mm x 32 mm x 30 mm was assessed by measuring 5 x 5 x 7 points. On this basis of this data set, the spatial peak SAR value was evaluated with the following procedure:
 - a. The data at the surface were extrapolated, since the center of the dipoles is 2.7 mm away from the tip of the probe and the distance between the surface and the lowest measuring point is 1.2 mm. The extrapolation was based on a least square algorithm. A polynomial of the fourth order was calculated through the points in z-axis. This polynomial was then used to evaluate the points between the surface and the probe tip.
 - b. The maximum interpolated value was searched with a straight-forward algorithm. Around this maximum the SAR values averaged over the spatial volumes (1 g or 10 g) were computed using the 3D-Spline interpolation algorithm. The 3D-spline is composed of three one-dimensional splines with the "Not a knot" condition (in x, y, and z directions. The volume was integrated with the trapezoidal algorithm. One thousand points (10 x 10 x 10) were interpolated to calculate the average.
 - c. All neighboring volumes were evaluated until no neighboring volume with a higher average value was found.
4. The SAR value, at the same location as procedure #1, was re-measured. If the value changed by more than 5 %, the evaluation is repeated.

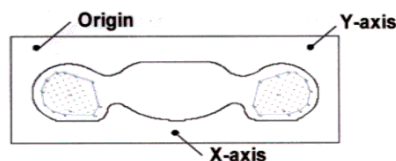


Figure 4.1 SAR Measurement Point in Area Scan

5. DESCRIPTION OF TEST POSITION

5.1 HEAD POSITION

The device was placed in a normal operating position with the Point A on the device, as illustrated in following drawing, aligned with the location of the RE(ERP) on the phantom. With the ear-piece pressed against the head, the vertical center line of the body of the handset was aligned with an imaginary plane consisting of the RE, LE and M. While maintaining these alignments, the body of the handset was gradually moved towards the cheek until any point on the mouth-piece or keypad contacted the cheek. This is a cheek/touch position. For ear/tilt position, while maintain the device aligned with the BM and FN lines, the device was pivot against ERP back for 15° or until the device antenna touch the phantom. Please refer to IEEE 1528-2003 illustration below.

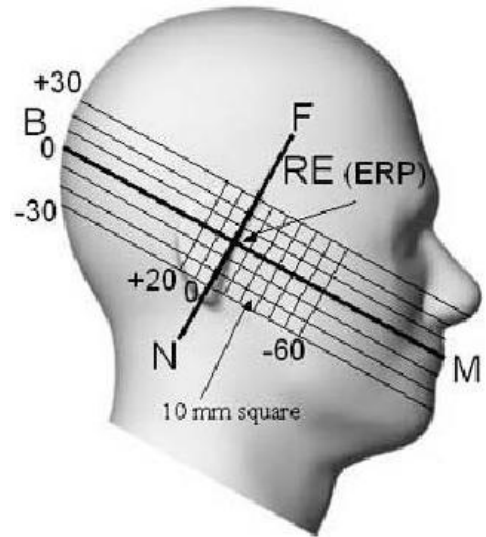


Figure 5.1 Side view of the phantom

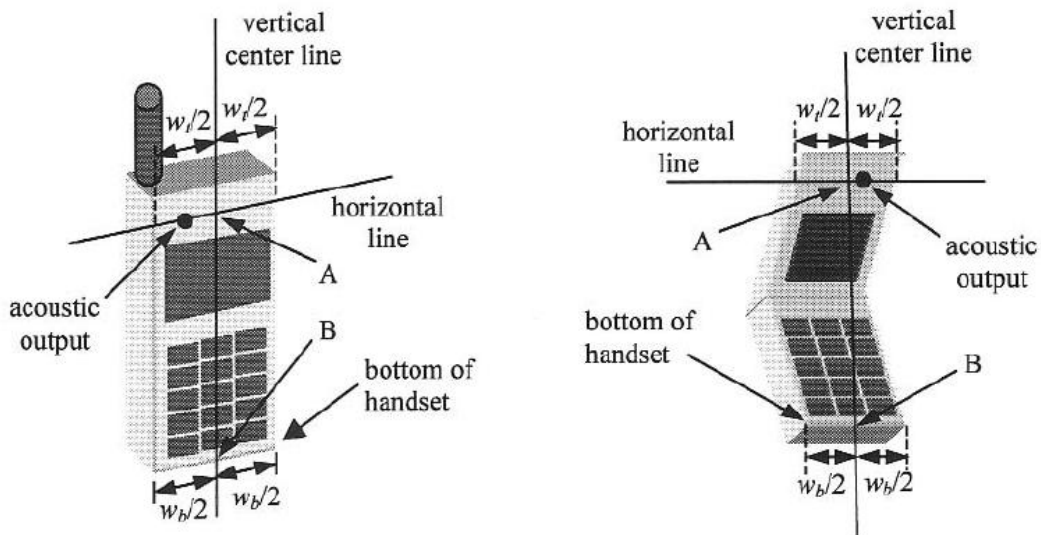


Figure 5.2 Handset vertical and horizontal reference lines

5.2 Body Holster/Belt Clip Configurations

Body-worn operating configurations are tested with the belt-clips and holsters attached to the device and positioned against a flat phantom in a normal use configuration. A device with a headset output is tested with a headset connected to the device. Body dielectric parameters are used.

Accessories for Body-worn operation configurations are divided into two categories: those that do not contain metallic components and those that contain metallic components. When multiple accessories that do not contain metallic components are supplied with the device, the device is tested with only the accessory that dictates the closest spacing to the body. Then multiple accessories that contain metallic components are tested with each accessory. If multiple accessory share an identical metallic component (i.e. the same metallic belt-clip used with different holsters with no other metallic components) only the accessory that dictates the closest spacing to the body is tested.

Body-worn accessories may not always be supplied or available as options for some Devices intended to be authorized for body-worn use. In this case, a test configuration with a separation distance between the back of the device and the flat phantom is used.

Since this EUT does not supply any body worn accessory to the end user a distance of 5 mm from the EUT back surface to the liquid interface is configured for the generic test.

"See the Test SET-UP Photo"

Transmitters that are designed to operate in front of a person's face, as in push-to-talk configurations, are tested for SAR compliance with the front of the device positioned to face the flat phantom. For devices that are carried next to the body such as a shoulder, waist or chest-worn transmitters, SAR compliance is tested with the accessory(ies), including headsets and microphones, attached to the device and positioned against a flat phantom in a normal use configuration.

In all cases SAR measurements are performed to investigate the worst-case positioning. Worstcase positioning is then documented and used to perform Body SAR testing.

5.3 Test Configurations

According to KDB 447498, the device that can be connected to a host through a cable must be tested with the device positioned in all applicable orientations against the flat phantom. And a separation distance ≤ 0.5 cm is required for USB-dongle transmitters.

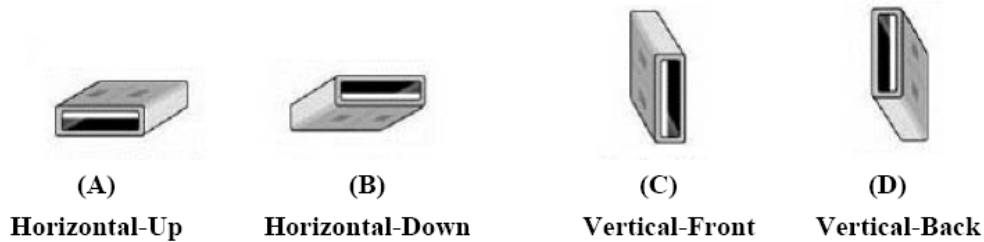


Figure 5.3 USB Connector Orientations Implemented on Laptop Computers

Therefore, the EUT was tested in following orientations;

1) Configuration 1: EUT was tested with the direct-connection to the host device with Horizontal-Up (A), and separation distance between EUT and Phantom is 5 mm.

2) Configuration 2: EUT was connected to the host device with Horizontal-Down (B) using a USB cable, and separation distance between EUT and Phantom is 5 mm.

3) Configuration 3: EUT was connected to the host device with Vertical-Front (C) using a USB cable, and separation distance between EUT and Phantom is 5 mm.

4) Configuration 4: EUT was tested with the direct-connection to the host device with Vertical-Back (D), and separation distance between EUT and Phantom is 5 mm.

5) Configuration 5: Top side of the EUT was tested with the direct-connection to the host device, and separation distance between EUT and Phantom is 5 mm.

Note;

The supplied USB cable length is 50 cm.

This USB cable was used to operate this unit in the highest RF performance capability for SAR testing.

6. MEASUREMENT UNCERTAINTY

Measurement uncertainties in SAR measurements are difficult to quantify due to several variables including biological, physiological, and environmental. However, we estimate the measurement uncertainties in SAR to be less than 15 % - 25 %.

According to ANSI/IEEE C95.3, the overall uncertainties are difficult to assess and will vary with the type of meter and usage situation. However, accuracy's of 1 dB to ± 3 dB can be expected in practice, with greater uncertainties in near-field situations and at higher frequencies (shorter wavelengths), or areas where large reflecting objects are present. Under optimum measurement conditions, SAR measurement uncertainties of at least ± 2 dB can be expected.

According to CENELEC, typical worst-case uncertainty of field measurements is 5 dB. For well-defined modulation characteristics the uncertainty can be reduced to ± 3 dB.

Error Description	Uncertainty value [%]	Probability Distribution	Divisor	ci	ci ²	Standard Uncertainty [%]	Stand Uncert ²	(Stand Uncert ²) X (ci ²)	Vi & Veff
1. Measurement System									
Probe Calibration	5.5	Normal	1.00	1	1	5.50	30.25	30.25	∞
Axial Isotropy	4.7	Rectangular	1.73	0.7	0.49	2.71	7.36	3.61	∞
Hemispherical Isotropy	9.6	Rectangular	1.73	0.7	0.49	5.54	30.72	15.05	∞
Linearity	4.7	Rectangular	1.73	1	1	2.71	7.36	7.36	∞
System Detection limits	1.0	Rectangular	1.73	1	1	0.58	0.33	0.33	∞
Boundary effect	1.0	Rectangular	1.73	1	1	0.58	0.33	0.33	∞
Response time	0.8	Rectangular	1.73	1	1	0.46	0.21	0.21	∞
RF Ambient conditions	3.0	Rectangular	1.73	1	1	1.73	3.00	3.00	∞
Readout Electronics	0.3	Normal	1.00	1	1	0.30	0.09	0.09	∞
Integration time	2.6	Rectangular	1.73	1	1	1.50	2.25	2.25	∞
Probe positioner	0.4	Rectangular	1.73	1	1	0.23	0.05	0.05	∞
Probe positioning	2.9	Rectangular	1.73	1	1	1.67	2.80	2.80	∞
Maximum SAR evaluation	1.0	Rectangular	1.73	1	1	0.58	0.33	0.33	∞
Sub Total								65.69	
2. Test Sample Related									
Device Positioning	1.8	Normal	1.00	1	1	1.81	3.28	3.28	9
Device Holder	3.6	Normal	1.00	1	1	3.60	12.96	12.96	∞
Power Drift	5.0	Rectangular	1.73	1	1	2.89	8.33	8.33	∞
Sub Total								24.57	
3. Phantom and Setup									
Phantom Uncertainty	4.0	Rectangular	1.73	1	1	2.31	5.33	5.33	∞
Liquid conductivity (target)	5.0	Rectangular	1.73	0.5	0.25	2.89	8.33	2.08	∞
Liquid conductivity (measurement error)	2.5	Normal	1.00	0.5	0.25	2.50	6.25	1.56	∞
Liquid permittivity (target)	5.0	Rectangular	1.73	0.5	0.25	2.89	8.33	2.08	∞
Liquid permittivity (measurement error)	2.5	Normal	1.00	0.5	0.25	2.50	6.25	1.56	∞
Sub Total								12.63	
Combined standard uncertainty [%]						10.14		102.88	-
Expanded uncertainty [k=2, approximately confidence level 95 %]						± 20.28 %			

Table 6.1 Breakdown of Errors

7. ANSI/ IEEE C95.1 - 2005 RF EXPOSURE LIMITS

HUMAN EXPOSURE	UNCONTROLLED ENVIRONMENT General Population (W/kg) or (mW/g)	CONTROLLED ENVIRONMENT Occupational (W/kg) or (mW/g)
SPATIAL PEAK SAR * (Brain)	1.60	8.00
SPATIAL AVERAGE SAR ** (Whole Body)	0.08	0.40
SPATIAL PEAK SAR *** (Hands / Feet / Ankle / Wrist)	4.00	20.00

Table 7.1 Safety Limits for Partial Body Exposure

NOTES:

* The Spatial Peak value of the SAR averaged over any 1 g of tissue (defined as a tissue volume in the shape of a cube) and over the appropriate averaging time.

** The Spatial Average value of the SAR averaged over the whole-body.

*** The Spatial Peak value of the SAR averaged over any 10 g of tissue (defined as a tissue volume in the shape of a cube) and over the appropriate averaging time.

Uncontrolled Environments are defined as locations where there is the exposure of individuals who have no knowledge or control of their exposure.

Controlled Environments are defined as locations where there is exposure that may be incurred by persons who are aware of the potential for exposure, (i.e.as a result of employment or occupation).

8. SYSTEM VERIFICATION

8.1 Tissue Verification

Freq. [MHz]	Date	Liquid	Liquid Temp.[°C]	Parameters	Target Value	Measured Value	Deviation [%]	Limit [%]
835	May 07, 2009	Head	21.2	ϵr	41.5	42.9	+ 3.37	± 5
				σ	0.90	0.866	- 3.78	± 5
835	May 07, 2009	Body	21.2	ϵr	55.2	53.96	- 2.25	± 5
				σ	0.97	0.99	+ 2.06	± 5
1 900	May 08, 2009	Head	21.1	ϵr	40.0	40.8	+ 2.00	± 5
				σ	1.40	1.40	0.00	± 5
1 900	May 08, 2009	Body	21.1	ϵr	53.3	51.80	- 2.81	± 5
				σ	1.52	1.52	0.00	± 5

8.2 System Validation

Prior to assessment, the system is verified to the $\pm 10\%$ of the specifications at 835 MHz /1 900 MHz by using the system validation kit. (Graphic Plots Attached)

*Input Power: 100 mW

Freq. [MHz]	Date	Liquid	Liquid Temp. [°C]	SAR Average	Target Value (SPEAG) (mW/g)	* Measured Value (mW/g)	Deviation [%]	Limit [%]
835	May 07, 2009	Head	21.2	1 g	9.17	0.932	+ 1.64	± 10
1 900	May 08, 2009	Head	21.1	1 g	37.7	3.82	+ 1.33	± 10

9. 3G MEASUREMENT PROCEDURES

9.1 Procedures Used To Establish Test Signal

The handset was placed into a simulated call using a base station simulator in a shielded chamber. Such test signals offer a consistent means for testing SAR and are recommended for evaluating SAR. SAR measurements were taken with a fully charged battery. In order to verify that the device was tested and maintained at full power, this was configured with the base station simulator. The SAR measurement software calculates a reference point at the start and end of the test to check for power drifts. If conducted power deviations of more than 5% occurred, the tests were repeated.

9.2 SAR Measurement Conditions for CDMA2000 1x

These procedures were followed according to FCC "SAR Measurement Procedures for 3G Devices", May 2006.

9.2.1 Output Power Verification

See 3GPP2 C.S0011/TIA-98-E as recommended by "SAR Measurement Procedures for 3G Devices", May 2006. Maximum output power is verified on the High, Middle and Low channels according to procedures defined in section 4.4.5.2 of 3GPP2 C.S0011/TIA-98-E. SO55 tests were measured with power control bits in "All Up" condition.

1. If the mobile station supports Reverse TCH RC 1 and Forward TCH RC 1, set up a call using Fundamental Channel Test Mode 1 (RC=1/1) with 9 600 bps data rate only.
2. Under RC1, C.S0011 Table 4.4.5.2-1 (Table 9.1) parameters were applied.
3. If the MS supports the RC 3 Reverse FCH, RC3 Reverse SCH0 and demodulation of RC 3, 4, or 5, set up a call using Supplemental Channel Test Mode 3 (RC 3/3) with 9 600 bps Fundamental Channel and 9 600 bps SCH0 data rate Channel and 9 600 bps SCH0 data rate.
4. Under RC3, C.S0011 Table 4.4.5.2-2 (Table 9.2) was applied.
5. FCHs were configured at full rate for maximum SAR with "All Up" power control bits.

Parameters for Max. Power for RC1

Parameter	Units	Value
\bar{I}_{or}	dBm/1.23 MHz	-104
$\frac{\text{Pilot } E_c}{I_{or}}$	dB	-7
$\frac{\text{Traffic } E_c}{I_{or}}$	dB	-7.4

Table. 9.1

Parameters for Max. Power for RC3

Parameter	Units	Value
\bar{I}_{or}	dBm/1.23 MHz	-86
$\frac{\text{Pilot } E_c}{I_{or}}$	dB	-7
$\frac{\text{Traffic } E_c}{I_{or}}$	dB	-7.4

Table. 9.2

9.2.2 Head SAR Measurement

SAR for head exposure configurations is measured in RC3 with the DUT configured to transmit at full rate using Loopback Service Option SO55. SAR for RC1 is not required when the maximum average output of each channel is less than ¼ dB higher than that measured in RC3. Otherwise, SAR is measured on the maximum output channel in RC1 using the exposure configuration that results in the highest SAR for that channel in RC3.

9.2.3 Body SAR Measurement

SAR for body exposure configurations is measured in RC3 with the DUT configured to transmit at full rate on FCH with all other code channels disabled using TDSO / SO32. SAR for multiple code channels (FCH + SCHn) is not required when the maximum average output of each RF channel is less than ¼ dB higher than that measured with FCH only. Otherwise, SAR is measured on the maximum output channel (FCH + SCHn) with FCH at full rate and SCH0 enabled at 9 600 bps using the exposure configuration that results in the highest SAR for that channel with FCH only. When multiple code channels are enabled, the DUT output may shift by more than 0.5 dB and lead to higher SAR drifts and SCH dropouts.

Body SAR in RC1 is not required when the maximum average output of each channel is less than ¼ dB higher than that measured in RC3. Otherwise, SAR is measured on the maximum output channel in RC1; with Loopback Service Option SO55, at full rate, using the body exposure configuration that results in the highest SAR for that channel in RC3.

9.2.4 Handsets with EV-DO

For handsets with Ev-Do capabilities, when the maximum average output of each channel in Rev. 0 is less than ¼ dB higher than that measured in RC3 (1x RTT), body SAR for Ev-Do is not required. Otherwise, SAR for Rev. 0 is measured on the maximum output channel at 153.6 kbps using the body exposure configuration that results in the highest SAR for that channel in RC3. SAR for Rev. A is not required when the maximum average output of each channel is less than that measured in Rev. 0 or less than ¼ dB higher than that measured in RC3. Otherwise, SAR is measured on the maximum output channel for Rev. A using a Reverse Data Channel payload size of 4 096 bits and a Termination Target of 16 slots defined for Subtype 2 Physical Layer configurations. A Forward Traffic Channel data rate corresponding to the 2-slot version of 307.2 kbps with the ACK Channel transmitting in all slots should be configured in the downlink for both Rev. 0 and Rev. A.

9.3 SAR Measurement Conditions for UMTS

Body SAR is not required for handsets with HSDPA capabilities when the maximum average output of each RF channel with HSDPA active is less than ¼ dB higher than that measured without HSDPA using 12.2 kbps RMC and the maximum SAR for 12.2 kbps RMC is $\leq 75\%$ of the SAR limit.

Otherwise, SAR is Measured for HSDPA, using an FRC with H-Set 1 in Sub-test 1 and a 12.2 kbps RMC configured in Test Loop Mode 1, using the highest body SAR configuration in 12.2 kbps RMC without HSDPA, on the maximum output channel with the body exposure configuration that results in the highest SAR in 12.2 kbps RMC for that RF channel.

9.2.1 Output Power Verification

Maximum output power is verified on the High, Middle and Low channels according to the general descriptions in section 5.2 of 3 GPP TS 34.121, using the appropriate RMC or AMR with TPC(transmit power control) set to all "1s"

9.2.2 Head SAR Measurements

SAR for head exposure configurations is measured using the 12.2 kbps RMC with TPC bits configured to all "1s". SAR in AMR configurations is not required when the maximum average output of each RF channel for 12.2 kbps AMR is less than ¼ dB higher than that measured in 12.2 kbps RMC. Otherwise, SAR is measured on the maximum output channel in 12.2 AMR with a 3.4 kbps SRB (signaling radio bearer) using the exposure configuration that results in the highest SAR for that RF channel in 12.2 RMC.

9.2.3 Body SAR Measurement

SAR for body exposure configurations is measured using the 12.2 kbps RMC with the TPC bits all "1s".

9.2.4 Handsets with Release 5 HSDPA

Body SAR is not required for handsets with HSDPA capabilities when the maximum average output of each RF channel with HSDPA active is less than ¼ dB higher than that measured without HSDPA using 12.2 kbps RMC and the maximum SAR for 12.2 kbps RMC is $\leq 75\%$ of the SAR limit.

Otherwise, SAR is Measured for HSDPA, using an FRC with H-Set 1 in Sub-test 1 and a 12.2 kbps RMC configured in Test Loop Mode 1, using the highest body SAR configuration in 12.2 kbps RMC without HSDPA, on the maximum output channel with the body exposure configuration that results in the highest SAR in 12.2 kbps RMC for that RF channel.

9.2.5 Handsets with Release 6 HSPA (HSDPA/HSUPA)

Body SAR is not required for handsets with HSPA capabilities when the maximum average output of each RF channel with HSUPA/HSDPA active is less than ¼ dB higher than that measured without HSUPA/HSDPA using 12.2 kbps RMC and the maximum SAR for 12.2 kbps RMC is $\leq 75\%$ of the SAR limit.

Average Output Power Measurement with USB cable for FCC ID: PP4PX-5000

Band	Channel	SO2	SO2	SO55	SO55	TDSO	1xEVDO	1xEVDO	1xEVDO	1xEVDO
		RC1/1 (dBm)	RC3/3 (dBm)	RC1/1 (dBm)	RC3/3 (dBm)	RC3/3 (dBm)	Rev.0 (FTAP)	Rev.0 (RTAP)	Rev.A (FETAP)	Rev.A (RETAP)
CDMA	1013	23.81	23.81	23.80	23.84	23.74	23.70	23.58	23.61	23.64
	384	23.92	23.90	23.89	23.93	23.85	23.67	23.69	23.72	23.70
	777	23.96	23.92	23.93	23.85	23.90	23.73	23.83	23.77	23.72
PCS	25	23.72	23.51	23.58	23.67	23.45	23.59	23.51	23.60	23.54
	600	23.87	23.71	23.85	23.70	23.65	23.83	23.64	23.67	23.62
	1175	23.82	23.93	23.86	23.99	23.78	23.94	23.89	23.98	23.95

Table 9.1 CDMA Conducted output powers

Band	Channel	Voice	GPRS Data		EDGE Data	
		GSM (dBm)	GPRS 1 TX Slot (dBm)	GPRS 2 TX Slot (dBm)	EDGE 1 TX Slot (dBm)	EDGE 2 TX Slot (dBm)
GSM 850	128	32.22	32.20	30.94	26.14	23.66
	190	32.30	32.26	31.11	26.30	23.81
	251	32.29	32.25	31.23	26.42	23.92
GSM 1900	512	29.26	29.11	28.57	25.73	24.20
	661	29.55	29.41	28.83	25.98	24.45
	810	29.82	29.64	29.04	26.26	24.72

Table 9.2 GSM Conducted output powers

Band	Channel	HSDPA INACTIVE	HSDPA ACTIVE	HSUPA ACTIVE
		12.2kbps RMC (dBm)	12.2kbps RMC (dBm)	12.2kbps RMC (dBm)
WCDMA 850	4132	23.12	22.06	22.58
	4183	23.26	22.04	22.61
	4233	23.50	22.28	22.80
WCDMA 1900	9262	23.08	21.81	22.34
	9400	23.15	22.03	22.21
	9538	23.36	22.17	22.46

Table 9.3 WCDMA Conducted output power

Average Output Power Measurement without USB cable for FCC ID: PP4PX-5000

Band	Channel	SO2	SO2	SO55	SO55	TDSO	1xEvDO	1xEvDO	1xEvDO	1xEvDO
		RC1/1 (dBm)	RC3/3 (dBm)	RC1/1 (dBm)	RC3/3 (dBm)	RC3/3 (dBm)	Rev.0 (FTAP)	Rev.0 (RTAP)	Rev.A (FETAP)	Rev.A (RETAP)
CDMA	1013	23.84	23.79	23.77	23.80	23.72	23.68	23.65	23.65	23.60
	384	23.90	23.90	23.85	23.94	23.80	23.65	23.62	23.70	23.80
	777	23.93	23.88	23.91	23.86	23.92	23.70	23.82	23.78	23.72
PCS	25	23.71	23.50	23.65	23.75	23.56	23.60	23.65	23.65	23.65
	600	23.85	23.65	23.86	23.72	23.66	23.82	23.60	23.69	23.66
	1175	23.80	23.88	23.82	23.81	23.75	23.90	23.78	23.89	23.85

Table 9.1 CDMA Conducted output powers

Band	Channel	Voice	GPRS Data		EDGE Data	
		GSM (dBm)	GPRS 1 TX Slot (dBm)	GPRS 2 TX Slot (dBm)	EDGE 1 TX Slot (dBm)	EDGE 2 TX Slot (dBm)
GSM 850	128	32.23	32.34	31.01	26.12	23.65
	190	32.32	32.26	31.02	26.31	23.79
	251	32.33	32.30	31.10	26.45	23.90
GSM 1900	512	29.30	29.16	28.56	25.69	24.25
	661	29.56	29.49	28.80	25.97	24.40
	810	29.78	29.60	29.39	26.31	24.70

Table 9.2 GSM Conducted output powers

Band	Channel	HSDPA INACTIVE	HSDPA ACTIVE	HSUPA ACTIVE
		12.2kbps RMC (dBm)	12.2kbps RMC (dBm)	12.2kbps RMC (dBm)
WCDMA 850	4132	23.10	22.04	22.56
	4183	23.27	22.00	22.65
	4233	23.51	22.16	22.78
WCDMA 1900	9262	23.12	21.86	22.42
	9400	23.15	22.06	22.30
	9538	23.34	22.16	22.34

Table 9.3 WCDMA Conducted output power

10. SAR TEST DATA SUMMARY

10.1 Measurement Results (CDMA835 Body SAR)

Frequency		Modulation	Conducted Power (dBm)		Configuration	Separation Distance	Antenna Type	SAR(mW/g)
MHz	Channel		Begin	End				
824.70	1013 (Low)	CDMA835	23.74	23.76	Horizontal down	5 mm	Intenna	1.06
836.52	384 (Mid)	CDMA835	23.85	23.98	Horizontal down	5 mm	Intenna	0.994
848.31	777 (High)	CDMA835	23.90	23.92	Horizontal down	5 mm	Intenna	0.995
824.70	1013 (Low)	CDMA835	23.72	23.72	Horizontal up	5 mm	Intenna	0.882
836.52	384 (Mid)	CDMA835	23.80	23.76	Horizontal up	5 mm	Intenna	0.850
848.31	777 (High)	CDMA835	23.92	23.96	Horizontal up	5 mm	Intenna	0.824
836.52	384 (Mid)	CDMA835	23.85	23.91	Vertical Front	5 mm	Intenna	0.551
824.70	1013 (Low)	CDMA835	23.72	23.61	Vertical Back	5 mm	Intenna	0.938
836.52	384 (Mid)	CDMA835	23.80	23.80	Vertical Back	5 mm	Intenna	0.947
848.31	777 (High)	CDMA835	23.92	23.84	Vertical Back	5 mm	Intenna	1.02
836.52	384 (Mid)	CDMA835	23.80	23.88	Top	5 mm	Intenna	0.460
ANSI/ IEEE C95.1 2005 – Safety Limit						Body		
Spatial Peak						1.6 W/kg (mW/g)		
Uncontrolled Exposure/ General Population						Averaged over 1 gram		

NOTES:

- The test data reported are the worst-case SAR value with the antenna-head position set in a typical configuration. Test procedures used are according to FCC/OET Bulletin 65, Supplement C [July 2001].
- All modes of operation were investigated and the worst-case are reported.
- Measured Depth of Simulating Tissue is 15.0 cm ± 0.2 cm.
- Tissue parameters and temperatures are listed on the SAR plot.
- Power Supply Power supplied through host device (TOSHIBA)
- Test Signal Call Mode Manual Test cord Base Station Simulator
- All side of the device were tested and the worst-case side is reported.
- Test Configuration With Holster Without Holster
- The EUT was fixed by using a Styrofoam to avoid perturbation due to the device holder clamps.
- CDMA Body SAR was tested under RC3/SO32.

10.2 Measurement Results (PCS1900 Body SAR)

Frequency		Modulation	Conducted Power (dBm)		Configuration	Separation Distance	Antenna Type	SAR(mW/g)
MHz	Channel		Begin	End				
1 880.00	600 (Mid)	PCS1900	23.65	23.53	Horizontal down	5 mm	Intenna	0.560
1 880.00	600 (Mid)	PCS1900	23.66	23.59	Horizontal up	5 mm	Intenna	0.671
1 851.25	25 (Low)	PCS1900	23.45	23.46	Vertical Front	5 mm	Intenna	0.991
1 880.00	600 (Mid)	PCS1900	23.65	23.67	Vertical Front	5 mm	Intenna	0.901
1 908.75	1175 (High)	PCS1900	23.78	23.90	Vertical Front	5 mm	Intenna	1.04
1 880.00	600 (Mid)	PCS1900	23.66	23.70	Vertical Back	5 mm	Intenna	0.656
1 880.00	600 (Mid)	PCS1900	23.66	23.57	Top	5 mm	Intenna	0.098
ANSI / IEEE C95.1 2005 – Safety Limit Spatial Peak Uncontrolled Exposure/ General Population							Body 1.6 W/kg (mW/g) <small>Averaged over 1 gram</small>	

NOTES:

- The test data reported are the worst-case SAR value with the antenna-head position set in a typical configuration. Test procedures used are according to FCC/OET Bulletin 65, Supplement C [July 2001].
- All modes of operation were investigated and the worst-case are reported.
- Measured Depth of Simulating Tissue is 15.0 cm ± 0.2 cm.
- Tissue parameters and temperatures are listed on the SAR plot.
- Power Supply Power supplied through host device (TOSHIBA)
- Test Signal Call Mode Manual Test cord Base Station Simulator
- All side of the device were tested and the worst-case side is reported.
- Test Configuration With Holster Without Holster
- The EUT was fixed by using a Styrofoam to avoid perturbation due to the device holder clamps.
- PCS Body SAR was tested under RC3/SO32.

10.3 Measurement Results (GSM850 Body SAR)

Frequency		Modulation	Conducted Power (dBm)		Configuration	Separation Distance	Antenna Type	SAR(mW/g)
MHz	Channel		Begin	End				
824.2	128 (Low)	GPRS 2Tx	30.94	30.89	Horizontal down	5 mm	Intenna	1.13
836.6	190 (Mid)	GPRS 2Tx	31.11	31.07	Horizontal down	5 mm	Intenna	1.10
848.8	251 (High)	GPRS 2Tx	31.23	31.15	Horizontal down	5 mm	Intenna	1.11
824.2	128 (Low)	GPRS 2Tx	31.01	31.03	Horizontal up	5 mm	Intenna	0.997
836.6	190 (Mid)	GPRS 2Tx	31.02	31.01	Horizontal up	5 mm	Intenna	0.874
848.8	251 (High)	GPRS 2Tx	31.10	31.08	Horizontal up	5 mm	Intenna	1.08
836.6	190 (Mid)	GPRS 2Tx	31.11	31.13	Vertical Front	5 mm	Intenna	0.635
824.2	128 (Low)	GPRS 2Tx	31.01	30.99	Vertical Back	5 mm	Intenna	0.972
836.6	190 (Mid)	GPRS 2Tx	31.02	30.90	Vertical Back	5 mm	Intenna	0.953
848.8	251 (High)	GPRS 2Tx	31.10	31.10	Vertical Back	5 mm	Intenna	0.950
836.6	190 (Mid)	GPRS 2Tx	31.02	30.92	Top	5 mm	Intenna	0.415
824.2	128 (Low)	GPRS 1Tx	32.20	32.28	Horizontal down	5 mm	Intenna	0.594
824.2	128 (Low)	GSM850	32.22	32.22	Horizontal down	5 mm	Intenna	0.623
ANSI/ IEEE C95.1 2005 – Safety Limit						Body		
Spatial Peak						1.6 W/kg (mW/g)		
Uncontrolled Exposure/ General Population						<small>Averaged over 1 gram</small>		

NOTES:

- The test data reported are the worst-case SAR value with the antenna-head position set in a typical configuration. Test procedures used are according to FCC/OET Bulletin 65, Supplement C [July 2001].
- All modes of operation were investigated and the worst-case are reported.
- Measured Depth of Simulating Tissue is 15.0 cm ± 0.2 cm.
- Tissue parameters and temperatures are listed on the SAR plot.
- Power Supply Power supplied through host device (TOSHIBA)
- Test Signal Call Mode Manual Test cord Base Station Simulator
- All side of the device were tested and the worst-case side is reported.
- Test Configuration With Holster Without Holster
- The EUT was fixed by using a Styrofoam to avoid perturbation due to the device holder clamps.

10.4 Measurement Results (GSM1900 Body SAR)

Frequency		Modulation	Conducted Power (dBm)		Configuration	Separation Distance	Antenna Type	SAR(mW/g)
MHz	Channel		Begin	End				
1 880.0	661 (Mid)	GPRS 2Tx	28.83	28.56	Horizontal down	5 mm	Intenna	0.753
1 880.0	661 (Mid)	GPRS 2Tx	28.80	28.62	Horizontal up	5 mm	Intenna	0.714
1 850.2	512 (Low)	GPRS 2Tx	28.57	28.59	Vertical Front	5 mm	Intenna	0.821
1 880.0	661 (Mid)	GPRS 2Tx	28.83	28.87	Vertical Front	5 mm	Intenna	0.815
1 909.8	810 (High)	GPRS 2Tx	29.04	28.96	Vertical Front	5 mm	Intenna	0.733
1 850.2	512 (Low)	GPRS 2Tx	28.56	28.46	Vertical Back	5 mm	Intenna	0.893
1 880.0	661 (Mid)	GPRS 2Tx	28.80	28.69	Vertical Back	5 mm	Intenna	0.848
1 909.8	810 (High)	GPRS 2Tx	29.39	29.46	Vertical Back	5 mm	Intenna	0.817
1 880.0	661 (Mid)	GPRS 2Tx	28.80	28.46	Top	5 mm	Intenna	0.117
1 850.2	512 (Low)	GPRS 1Tx	29.16	29.34	Vertical Back	5 mm	Intenna	0.468
1 850.2	512 (Low)	GSM1900	29.30	29.31	Vertical Back	5 mm	Intenna	0.492
ANSI/ IEEE C95.1 2005 – Safety Limit						Body		
Spatial Peak						1.6 W/kg (mW/g)		
Uncontrolled Exposure/ General Population						<small>Averaged over 1 gram</small>		

NOTES:

- The test data reported are the worst-case SAR value with the antenna-head position set in a typical configuration. Test procedures used are according to FCC/OET Bulletin 65, Supplement C [July 2001].
- All modes of operation were investigated and the worst-case are reported.
- Measured Depth of Simulating Tissue is 15.0 cm ± 0.2 cm.
- Tissue parameters and temperatures are listed on the SAR plot.
- Power Supply Power supplied through host device (TOSHIBA)
- Test Signal Call Mode Manual Test cord Base Station Simulator
- All side of the device were tested and the worst-case side is reported.
- Test Configuration With Holster Without Holster
- The EUT was fixed by using a Styrofoam to avoid perturbation due to the device holder clamps.

10.5 Measurement Results (WCDMA850 Body SAR)

Frequency		Modulation	Conducted Power (dBm)		Configuration	Separation Distance	Antenna Type	SAR(mW/g)
MHz	Channel		Begin	End				
826.4	4132 (Low)	WCDMA850	23.12	23.16	Horizontal down	5 mm	Intenna	0.937
836.6	4183 (Mid)	WCDMA850	23.26	23.36	Horizontal down	5 mm	Intenna	1.03
846.6	4233 (High)	WCDMA850	23.50	23.51	Horizontal down	5 mm	Intenna	1.02
826.4	4132 (Low)	WCDMA850	23.10	23.17	Horizontal up	5 mm	Intenna	0.736
836.6	4183 (Mid)	WCDMA850	23.27	23.30	Horizontal up	5 mm	Intenna	0.823
846.6	4233 (High)	WCDMA850	23.51	23.58	Horizontal up	5 mm	Intenna	0.761
836.6	4183 (Mid)	WCDMA850	23.26	23.27	Vertical Front	5 mm	Intenna	0.486
836.6	4183 (Mid)	WCDMA850	23.27	23.16	Vertical Back	5 mm	Intenna	0.670
836.6	4183 (Mid)	WCDMA850	23.27	23.14	Top	5 mm	Intenna	0.414
ANSI/ IEEE C95.1 2005 – Safety Limit						Body		
Spatial Peak						1.6 W/kg (mW/g)		
Uncontrolled Exposure/ General Population						<small>Averaged over 1 gram</small>		

NOTES:

- The test data reported are the worst-case SAR value with the antenna-head position set in a typical configuration. Test procedures used are according to FCC/OET Bulletin 65, Supplement C [July 2001].
 - All modes of operation were investigated and the worst-case are reported.
 - Measured Depth of Simulating Tissue is 15.0 cm ± 0.2 cm.
 - Tissue parameters and temperatures are listed on the SAR plot.
 - Power Supply Power supplied through host device (TOSHIBA)
 - Test Signal Call Mode Manual Test cord Base Station Simulator
 - All side of the device were tested and the worst-case side is reported.
 - Test Configuration With Holster Without Holster
- The EUT was fixed by using a Styrofoam to avoid perturbation due to the device holder clamps.
- 9 WCDMA Mode was tested under RMC 12.2 kbps and HSDPA/HSUPA Inactive.

10.6 Measurement Results (WCDMA1900 Body SAR)

Frequency		Modulation	Conducted Power (dBm)		Configuration	Separation Distance	Antenna Type	SAR(mW/g)
MHz	Channel		Begin	End				
1 880.0	9400 (Mid)	WCDMA1900	23.15	23.26	Horizontal down	5 mm	Intenna	0.798
1 852.4	9262 (Low)	WCDMA1900	23.12	23.18	Horizontal up	5 mm	Intenna	0.764
1 880.0	9400 (Mid)	WCDMA1900	23.15	23.17	Horizontal up	5 mm	Intenna	0.828
1 907.6	9538 (High)	WCDMA1900	23.34	23.32	Horizontal up	5 mm	Intenna	0.714
1 852.4	9262 (Low)	WCDMA1900	23.08	22.93	Vertical Front	5 mm	Intenna	0.790
1 880.0	9400 (Mid)	WCDMA1900	23.15	23.27	Vertical Front	5 mm	Intenna	0.849
1 907.6	9538 (High)	WCDMA1900	23.36	23.40	Vertical Front	5 mm	Intenna	0.799
1 852.4	9262 (Low)	WCDMA1900	23.12	23.05	Vertical Back	5 mm	Intenna	0.938
1 880.0	9400 (Mid)	WCDMA1900	23.15	23.14	Vertical Back	5 mm	Intenna	0.929
1 907.6	9538 (High)	WCDMA1900	23.34	23.27	Vertical Back	5 mm	Intenna	0.920
1 880.0	9400 (Mid)	WCDMA1900	23.15	23.19	Top	5 mm	Intenna	0.126
ANSI/ IEEE C95.1 2005 – Safety Limit						Body		
Spatial Peak						1.6 W/kg (mW/g)		
Uncontrolled Exposure/ General Population						Averaged over 1 gram		

NOTES:

- 1 The test data reported are the worst-case SAR value with the antenna-head position set in a typical configuration. Test procedures used are according to FCC/OET Bulletin 65, Supplement C [July 2001].
 - 2 All modes of operation were investigated and the worst-case are reported.
 - 3 Measured Depth of Simulating Tissue is 15.0 cm ± 0.2 cm.
 - 4 Tissue parameters and temperatures are listed on the SAR plot.
 - 5 Power Supply Power supplied through host device (TOSHIBA)
 - 6 Test Signal Call Mode Manual Test cord Base Station Simulator
 - 7 All side of the device were tested and the worst-case side is reported.
 - 8 Test Configuration With Holster Without Holster
- The EUT was fixed by using a Styrofoam to avoid perturbation due to the device holder clamps.
- 9 WCDMA Mode was tested under RMC 12.2 kbps and HSDPA/HSUPA Inactive.

11. CONCLUSION

The SAR measurement indicates that the EUT complies with the RF radiation exposure limits of the ANSI/IEEE C95.1 2005.

These measurements are taken to simulate the RF effects exposure under worst-case conditions. Precise laboratory measures were taken to assure repeatability of the tests.

12. REFERENCES

- [1] Federal Communications Commission, OET Bulletin 65 (Edition 97-01), Supplement C (Edition 01-01), Evaluating Compliance with FCC Guidelines for Human Exposure to Radio frequency Electromagnetic Fields, July 2001.
- [2] IEEE Standards Coordinating Committee 34 – IEEE Std. 1528-2003, IEE Recommended Practice or Determining the Peak Spatial-Average Specific Absorption Rate (SAR) in the Human Body from Wireless Communications Devices.
- [3] Federal Communications Commission, ET Docket 93-62, Guidelines for Evaluating the Environmental Effects of Radio frequency Radiation, Aug. 1996.
- [4] ANSI/IEEE C95.1 - 1991, American National Standard safety levels with respect to human exposure to radio frequency electromagnetic fields, 300 kHz to 100 GHz, New York: IEEE, Aug. 1992
- [5] ANSI/IEEE C95.3 - 1991, IEEE Recommended Practice for the Measurement of Potentially Hazardous Electromagnetic Fields - RF and Microwave, New York: IEEE, 1992.
- [6] NCRP, National Council on Radiation Protection and Measurements, Biological Effects and Exposure Criteria for Radio Frequency Electromagnetic Fields, NCRP Report No. 86, 1986. Reprinted Feb. 1995.
- [7] T. Schmid, O. Egger, N. Kuster, Automated E-field scanning system for dosimetric assessments, IEEE Transaction on Microwave Theory and Techniques, vol. 44, Jan. 1996, pp. 105-113.
- [8] K. Pokovic, T. Schmid, N. Kuster, Robust setup for precise calibration of E-field probes in tissue simulating liquids at mobile communications frequencies, ICECOM97, Oct. 1997, pp. 120-124.
- [9] K. Poković, T. Schmid, and N. Kuster, E-field Probe with improved isotropy in brain simulating liquids, Proceedings of the ELMAR, Zadar, Croatia, June 23-25, 1996, pp. 172-175.
- [10] Schmid & Partner Engineering AG, Application Note: Data Storage and Evaluation, June 1998, p2.
- [11] V. Hombach, K. Meier, M. Burkhardt, E. Kuhn, N. Kuster, The Dependence of EM Energy Absorption upon Human Head Modeling at 900 MHz, IEEE Transaction on Microwave Theory and Techniques, vol. 44 no. 10, Oct. 1996, pp. 1865-1873.
- [12] N. Kuster and Q. Balzano, Energy absorption mechanism by biological bodies in the near field of dipole antennas above 300 MHz, IEEE Transaction on Vehicular Technology, vol. 41, no. 1, Feb. 1992, pp. 17-23.
- [13] G. Hartsgrove, A. Kraszewski, A. Surowiec, Simulated Biological Materials for Electromagnetic Radiation Absorption Studies, University of Ottawa, Bioelectro magnetics, Canada: 1987, pp. 29-36.
- [14] Q. Balzano, O. Garay, T. Manning Jr., Electromagnetic Energy Exposure of Simulated Users of Portable Cellular Telephones, IEEE Transactions on Vehicular Technology, vol. 44, no.3, Aug. 1995.
- [15] W. Gander, Computer mathematick, Birkhaeuser, Basel, 1992.
- [16] W.H. Press, S.A. Teukolsky, W.T. Vetterling, and B.P. Flannery, Numerical Receptions in C, The Art of Scientific Computing, Second edition, Cambridge University Press, 1992.
- [17] Federal Communications Commission, OET Bulletin 65, Evaluating Compliance with FCC Guidelines for Human Exposure to Radiofrequency Electromagnetic Fields. Supplement C, Dec. 1997.
- [18] N. Kuster, R. Kastle, T. Schmid, Dosimetric evaluation of mobile communications equipment with known precision, IEEE Transaction on Communications, vol. E80-B, no. 5, May 1997, pp. 645-652.
- [19] CENELEC CLC/SC111B, European Prestandard (prENV 50166-2), Human Exposure to Electromagnetic Fields High-frequency: 10 kHz-300 GHz, Jan. 1995.
- [20] Prof. Dr. Niels Kuster, ETH, Eidgenössische Technische Hochschule Zürich, Dosimetric Evaluation of the Cellular Phone.
- [21] Mobile and Portable Device RF Exposure Equipment Authorization Procedures #447498.

Attachment 1. – SAR Test Plots

Test Laboratory: HCT CO., LTD
EUT Type: USM Modem
GPRS Class 10 and GPRS mode class B(GPRS and GSM, but not simultaneously)
Liquid Temperature: 21.2 °C
Ambient Temperature: 21.4 °C
Test Date: May 07, 2009

DUT: UMW190; Type: Bar; Serial: #1

Communication System: CDMA 835MHz FCC; Frequency: 824.7 MHz; Duty Cycle: 1:1
Medium parameters used: $f = 825$ MHz; $\sigma = 0.982$ mho/m; $\epsilon_r = 54.1$; $\rho = 1000$ kg/m³
Phantom section: Flat Section ; Measurement SW: DASY4, V4.7 Build 80; Postprocessing SW: SEMCAD, V1.8 Build 176

DASY4 Configuration:

- Probe: ET3DV6 - SN1609; ConvF(6.08, 6.08, 6.08); Calibrated: 2009-03-17
- Sensor-Surface: 4mm (Mechanical Surface Detection)
- Electronics: DAE4 Sn869; Calibrated: 2008-09-03
- Phantom: 835/900 Phantom ; Type: SAM

CDMA Body 1013/Area Scan (41x81x1): Measurement grid: dx=15mm, dy=15mm

Maximum value of SAR (interpolated) = 1.13 mW/g

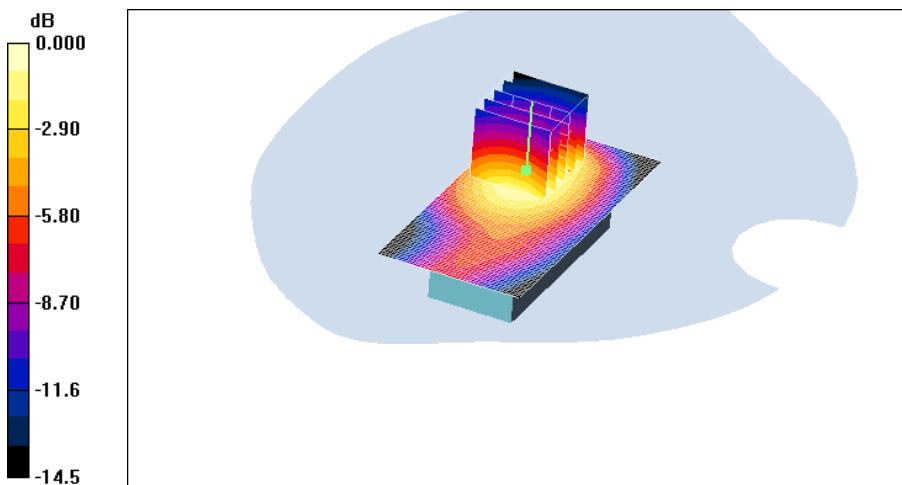
CDMA Body 1013/Zoom Scan (5x5x7)/Cube 0: Measurement grid: dx=8mm, dy=8mm, dz=5mm

Reference Value = 29.5 V/m; Power Drift = 0.020 dB

Peak SAR (extrapolated) = 1.92 W/kg

SAR(1 g) = 1.06 mW/g; SAR(10 g) = 0.637 mW/g

Maximum value of SAR (measured) = 1.13 mW/g



Test Laboratory: HCT CO., LTD
EUT Type: USM Modem
GPRS Class 10 and GPRS mode class B(GPRS and GSM, but not simultaneously)
Liquid Temperature: 21.2 °C
Ambient Temperature: 21.4 °C
Test Date: May 07, 2009

DUT: UMW190; Type: Bar; Serial: #1

Communication System: CDMA 835MHz FCC; Frequency: 836.52 MHz; Duty Cycle: 1:1
Medium parameters used (interpolated): $f = 836.52$ MHz; $\sigma = 0.991$ mho/m; $\epsilon_r = 54$; $\rho = 1000$ kg/m³
Phantom section: Flat Section ; Measurement SW: DASY4, V4.7 Build 80; Postprocessing SW: SEMCAD, V1.8 Build 176

DASY4 Configuration:

- Probe: ET3DV6 - SN1609; ConvF(6.08, 6.08, 6.08); Calibrated: 2009-03-17
- Sensor-Surface: 4mm (Mechanical Surface Detection)
- Electronics: DAE4 Sn869; Calibrated: 2008-09-03
- Phantom: 835/900 Phantom ; Type: SAM

CDMA Body 384/Area Scan (41x81x1): Measurement grid: dx=15mm, dy=15mm

[Info: Interpolated medium parameters used for SAR evaluation.](#)

Maximum value of SAR (interpolated) = 1.07 mW/g

CDMA Body 384/Zoom Scan (5x5x7)/Cube 0: Measurement grid: dx=8mm, dy=8mm, dz=5mm

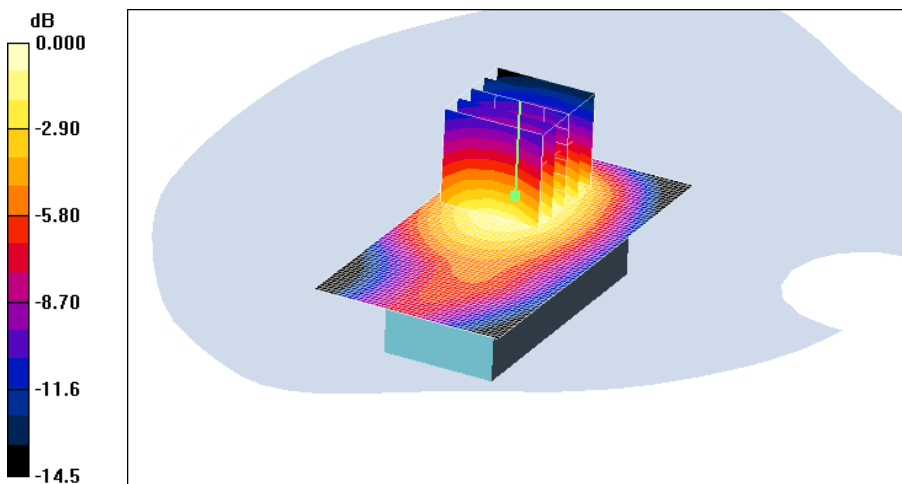
Reference Value = 28.3 V/m; Power Drift = 0.128 dB

Peak SAR (extrapolated) = 1.79 W/kg

SAR(1 g) = 0.994 mW/g; SAR(10 g) = 0.602 mW/g

[Info: Interpolated medium parameters used for SAR evaluation.](#)

Maximum value of SAR (measured) = 1.06 mW/g



Test Laboratory: HCT CO., LTD
EUT Type: USM Modem
GPRS Class 10 and GPRS mode class B(GPRS and GSM, but not simultaneously)
Liquid Temperature: 21.2 °C
Ambient Temperature: 21.4 °C
Test Date: May 07, 2009

DUT: UMW190; Type: Bar; Serial: #1

Communication System: CDMA 835MHz FCC; Frequency: 848.31 MHz; Duty Cycle: 1:1
Medium parameters used (interpolated): $f = 848.31$ MHz; $\sigma = 1$ mho/m; $\epsilon_r = 53.8$; $\rho = 1000$ kg/m³
Phantom section: Flat Section ; Measurement SW: DASY4, V4.7 Build 80; Postprocessing SW: SEMCAD, V1.8 Build 176

DASY4 Configuration:

- Probe: ET3DV6 - SN1609; ConvF(6.08, 6.08, 6.08); Calibrated: 2009-03-17
- Sensor-Surface: 4mm (Mechanical Surface Detection)
- Electronics: DAE4 Sn869; Calibrated: 2008-09-03
- Phantom: 835/900 Phantom ; Type: SAM

CDMA Body 777/Area Scan (41x81x1): Measurement grid: dx=15mm, dy=15mm

[Info: Interpolated medium parameters used for SAR evaluation.](#)

Maximum value of SAR (interpolated) = 1.07 mW/g

CDMA Body 777/Zoom Scan (5x5x7)/Cube 0: Measurement grid: dx=8mm, dy=8mm, dz=5mm

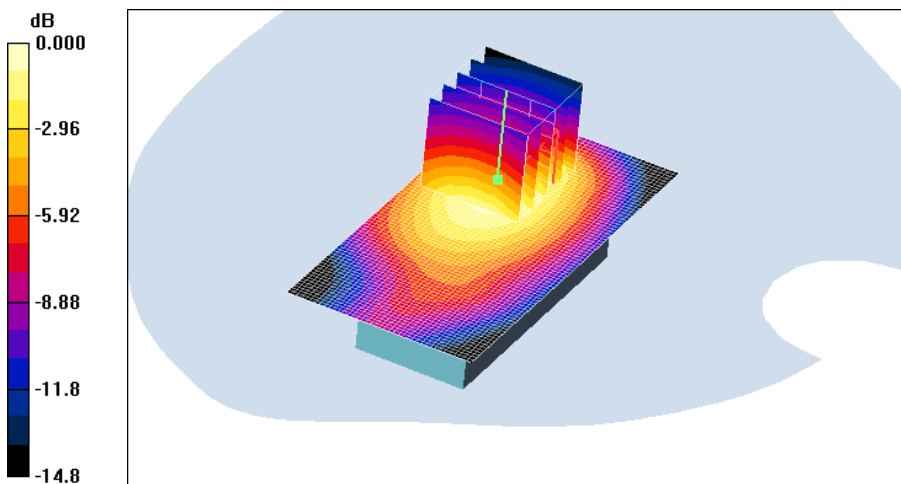
Reference Value = 28.0 V/m; Power Drift = 0.023 dB

Peak SAR (extrapolated) = 1.72 W/kg

SAR(1 g) = 0.995 mW/g; SAR(10 g) = 0.604 mW/g

[Info: Interpolated medium parameters used for SAR evaluation.](#)

Maximum value of SAR (measured) = 1.08 mW/g



Test Laboratory: HCT CO., LTD
EUT Type: USM Modem
GPRS Class 10 and GPRS mode class B(GPRS and GSM, but not simultaneously)
Liquid Temperature: 21.2 °C
Ambient Temperature: 21.4 °C
Test Date: May 07, 2009

DUT: UMW190; Type: Bar; Serial: #1

Communication System: CDMA 835MHz FCC; Frequency: 824.7 MHz; Duty Cycle: 1:1
Medium parameters used: $f = 825$ MHz; $\sigma = 0.982$ mho/m; $\epsilon_r = 54.1$; $\rho = 1000$ kg/m³
Phantom section: Flat Section ; Measurement SW: DASY4, V4.7 Build 80; Postprocessing SW: SEMCAD, V1.8 Build 176

DASY4 Configuration:

- Probe: ET3DV6 - SN1609; ConvF(6.08, 6.08, 6.08); Calibrated: 2009-03-17
- Sensor-Surface: 4mm (Mechanical Surface Detection)
- Electronics: DAE4 Sn869; Calibrated: 2008-09-03
- Phantom: 835/900 Phantom ; Type: SAM

CDMA Body 1013/Area Scan (41x81x1): Measurement grid: dx=15mm, dy=15mm

Maximum value of SAR (interpolated) = 0.920 mW/g

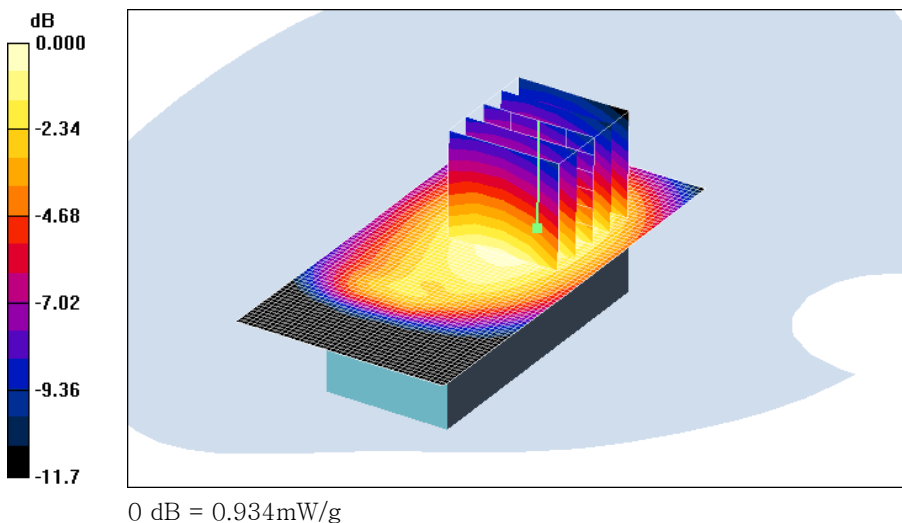
CDMA Body 1013/Zoom Scan (5x5x7)/Cube 0: Measurement grid: dx=8mm, dy=8mm, dz=5mm

Reference Value = 28.7 V/m; Power Drift = -0.004 dB

Peak SAR (extrapolated) = 1.23 W/kg

SAR(1 g) = 0.882 mW/g; SAR(10 g) = 0.606 mW/g

Maximum value of SAR (measured) = 0.934 mW/g



Test Laboratory: HCT CO., LTD
EUT Type: USM Modem
GPRS Class 10 and GPRS mode class B(GPRS and GSM, but not simultaneously)
Liquid Temperature: 21.2 °C
Ambient Temperature: 21.4 °C
Test Date: May 07, 2009

DUT: UMW190; Type: Bar; Serial: #1

Communication System: CDMA 835MHz FCC; Frequency: 836.52 MHz; Duty Cycle: 1:1
Medium parameters used (interpolated): $f = 836.52$ MHz; $\sigma = 0.991$ mho/m; $\epsilon_r = 54$; $\rho = 1000$ kg/m³
Phantom section: Flat Section ; Measurement SW: DASY4, V4.7 Build 80; Postprocessing SW: SEMCAD, V1.8 Build 176

DASY4 Configuration:

- Probe: ET3DV6 - SN1609; ConvF(6.08, 6.08, 6.08); Calibrated: 2009-03-17
- Sensor-Surface: 4mm (Mechanical Surface Detection)
- Electronics: DAE4 Sn869; Calibrated: 2008-09-03
- Phantom: 835/900 Phantom ; Type: SAM

CDMA Body 384/Area Scan (41x81x1): Measurement grid: dx=15mm, dy=15mm

[Info: Interpolated medium parameters used for SAR evaluation.](#)

Maximum value of SAR (interpolated) = 0.878 mW/g

CDMA Body 384/Zoom Scan (5x5x7)/Cube 0: Measurement grid: dx=8mm, dy=8mm, dz=5mm

Reference Value = 27.3 V/m; Power Drift = -0.044 dB

Peak SAR (extrapolated) = 1.20 W/kg

SAR(1 g) = 0.850 mW/g; SAR(10 g) = 0.584 mW/g

[Info: Interpolated medium parameters used for SAR evaluation.](#)

Maximum value of SAR (measured) = 0.905 mW/g

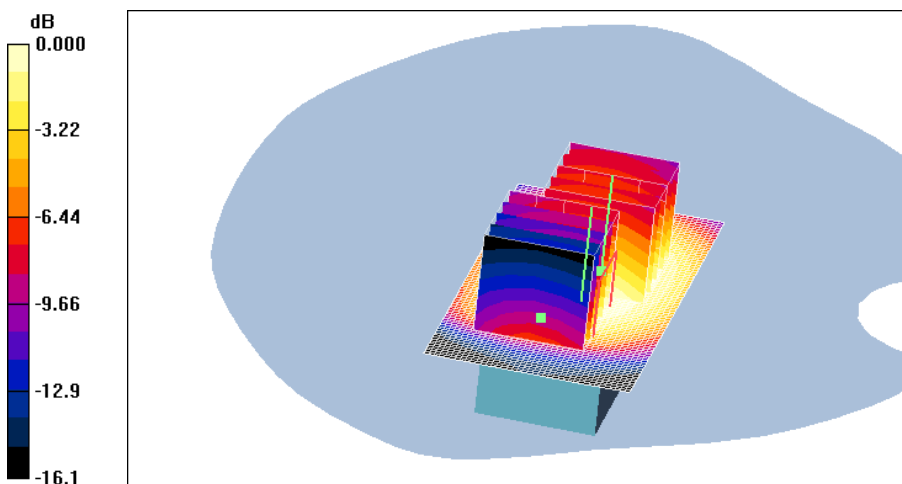
CDMA Body 384/Zoom Scan (5x5x7)/Cube 1: Measurement grid: dx=8mm, dy=8mm, dz=5mm

Reference Value = 27.3 V/m; Power Drift = -0.044 dB

Peak SAR (extrapolated) = 1.03 W/kg

SAR(1 g) = 0.643 mW/g; SAR(10 g) = 0.399 mW/g

Maximum value of SAR (measured) = 0.755 mW/g



Test Laboratory: HCT CO., LTD
EUT Type: USM Modem
GPRS Class 10 and GPRS mode class B(GPRS and GSM, but not simultaneously)
Liquid Temperature: 21.2 °C
Ambient Temperature: 21.4 °C
Test Date: May 07, 2009

DUT: UMW190; Type: Bar; Serial: #1

Communication System: CDMA 835MHz FCC; Frequency: 848.31 MHz; Duty Cycle: 1:1
Medium parameters used (interpolated): $f = 848.31$ MHz; $\sigma = 1$ mho/m; $\epsilon_r = 53.8$; $\rho = 1000$ kg/m³
Phantom section: Flat Section ; Measurement SW: DASY4, V4.7 Build 80; Postprocessing SW: SEMCAD, V1.8 Build 176

DASY4 Configuration:

- Probe: ET3DV6 - SN1609; ConvF(6.08, 6.08, 6.08); Calibrated: 2009-03-17
- Sensor-Surface: 4mm (Mechanical Surface Detection)
- Electronics: DAE4 Sn869; Calibrated: 2008-09-03
- Phantom: 835/900 Phantom ; Type: SAM

CDMA Body 777/Area Scan (41x81x1): Measurement grid: dx=15mm, dy=15mm

[Info: Interpolated medium parameters used for SAR evaluation.](#)

Maximum value of SAR (interpolated) = 0.859 mW/g

CDMA Body 777/Zoom Scan (5x5x7)/Cube 0: Measurement grid: dx=8mm, dy=8mm, dz=5mm

Reference Value = 24.9 V/m; Power Drift = 0.037 dB

Peak SAR (extrapolated) = 1.17 W/kg

SAR(1 g) = 0.824 mW/g; SAR(10 g) = 0.568 mW/g

[Info: Interpolated medium parameters used for SAR evaluation.](#)

Maximum value of SAR (measured) = 0.881 mW/g

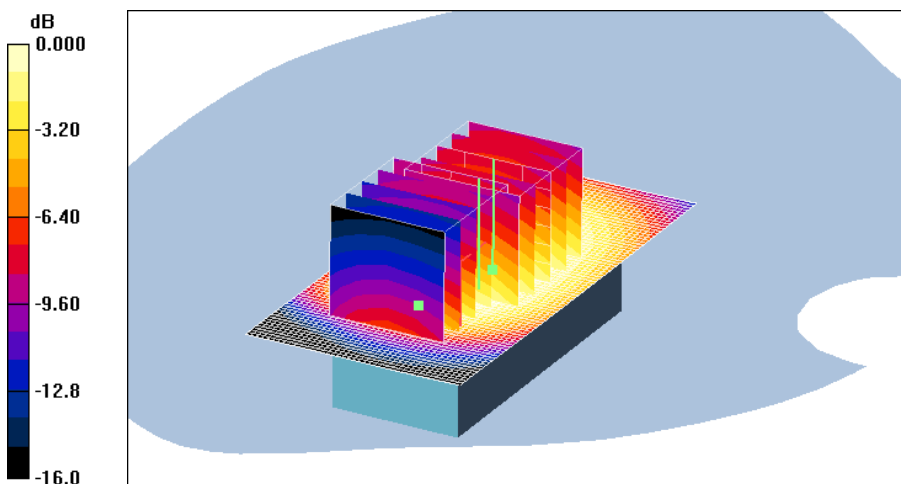
CDMA Body 777/Zoom Scan (5x5x7)/Cube 1: Measurement grid: dx=8mm, dy=8mm, dz=5mm

Reference Value = 24.9 V/m; Power Drift = 0.037 dB

Peak SAR (extrapolated) = 1.24 W/kg

SAR(1 g) = 0.741 mW/g; SAR(10 g) = 0.464 mW/g

Maximum value of SAR (measured) = 0.834 mW/g



0 dB = 0.834mW/g

Test Laboratory: HCT CO., LTD
EUT Type: USM Modem
GPRS Class 10 and GPRS mode class B(GPRS and GSM, but not simultaneously)
Liquid Temperature: 21.2 °C
Ambient Temperature: 21.4 °C
Test Date: May 07, 2009

DUT: UMW190; Type: Bar; Serial: #1

Communication System: CDMA 835MHz FCC; Frequency: 836.52 MHz; Duty Cycle: 1:1
Medium parameters used (interpolated): $f = 836.52$ MHz; $\sigma = 0.991$ mho/m; $\epsilon_r = 54$; $\rho = 1000$ kg/m³
Phantom section: Flat Section ; Measurement SW: DASY4, V4.7 Build 80; Postprocessing SW: SEMCAD, V1.8 Build 176

DASY4 Configuration:

- Probe: ET3DV6 - SN1609; ConvF(6.08, 6.08, 6.08); Calibrated: 2009-03-17
- Sensor-Surface: 4mm (Mechanical Surface Detection)
- Electronics: DAE4 Sn869; Calibrated: 2008-09-03
- Phantom: 835/900 Phantom ; Type: SAM

CDMA Body 384/Area Scan (41x71x1): Measurement grid: dx=15mm, dy=15mm[Info: Interpolated medium parameters used for SAR evaluation.](#)

Maximum value of SAR (interpolated) = 0.575 mW/g

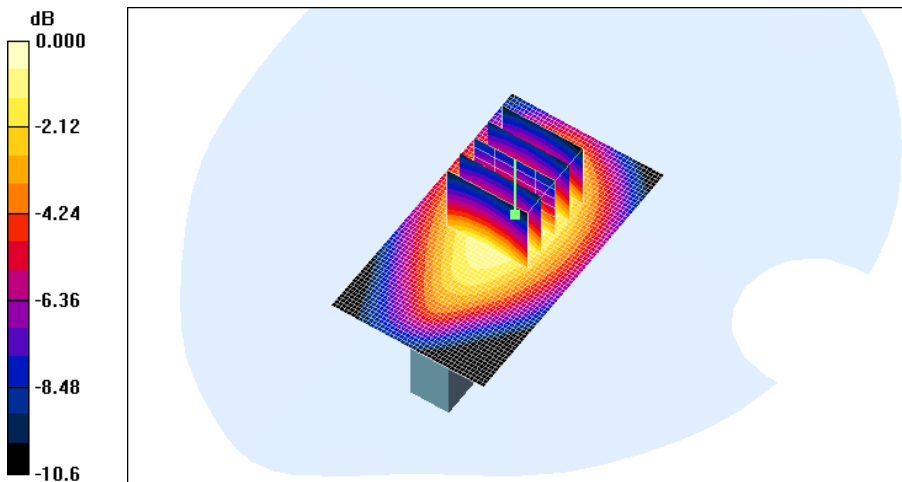
CDMA Body 384/Zoom Scan (5x5x7)/Cube 0: Measurement grid: dx=8mm, dy=8mm, dz=5mm

Reference Value = 22.0 V/m; Power Drift = 0.058 dB

Peak SAR (extrapolated) = 0.816 W/kg

SAR(1 g) = 0.551 mW/g; SAR(10 g) = 0.367 mW/g[Info: Interpolated medium parameters used for SAR evaluation.](#)

Maximum value of SAR (measured) = 0.590 mW/g



Test Laboratory: HCT CO., LTD
EUT Type: USM Modem
GPRS Class 10 and GPRS mode class B(GPRS and GSM, but not simultaneously)
Liquid Temperature: 21.2 °C
Ambient Temperature: 21.4 °C
Test Date: May 07, 2009

DUT: UMW190; Type: Bar; Serial: #1

Communication System: CDMA 835MHz FCC; Frequency: 824.7 MHz; Duty Cycle: 1:1
Medium parameters used: $f = 825$ MHz; $\sigma = 0.982$ mho/m; $\epsilon_r = 54.1$; $\rho = 1000$ kg/m³
Phantom section: Flat Section ; Measurement SW: DASY4, V4.7 Build 80; Postprocessing SW: SEMCAD, V1.8 Build 176

DASY4 Configuration:

- Probe: ET3DV6 - SN1609; ConvF(6.08, 6.08, 6.08); Calibrated: 2009-03-17
- Sensor-Surface: 4mm (Mechanical Surface Detection)
- Electronics: DAE4 Sn869; Calibrated: 2008-09-03
- Phantom: 835/900 Phantom ; Type: SAM

CDMA Body 1013/Area Scan (41x71x1): Measurement grid: dx=15mm, dy=15mm

Maximum value of SAR (interpolated) = 1.01 mW/g

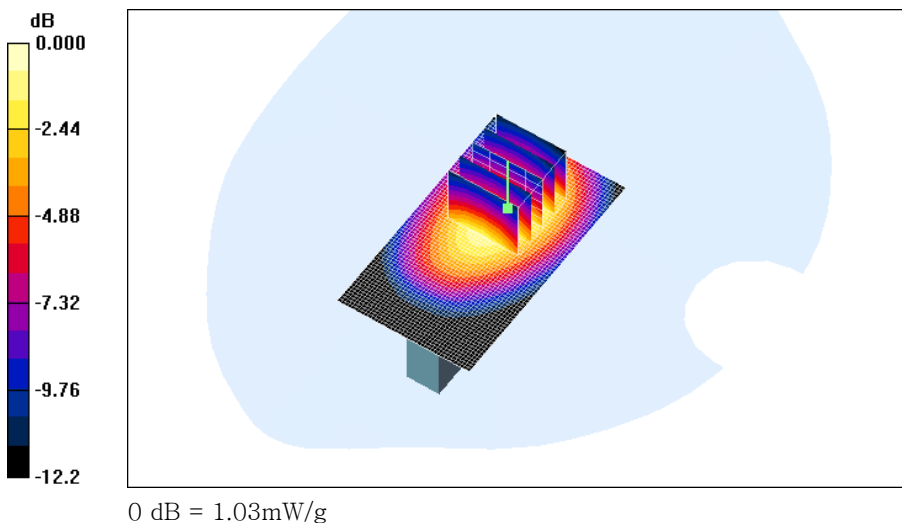
CDMA Body 1013/Zoom Scan (5x5x7)/Cube 0: Measurement grid: dx=8mm, dy=8mm, dz=5mm

Reference Value = 31.3 V/m; Power Drift = -0.107 dB

Peak SAR (extrapolated) = 1.48 W/kg

SAR(1 g) = 0.938 mW/g; SAR(10 g) = 0.583 mW/g

Maximum value of SAR (measured) = 1.03 mW/g



0 dB = 1.03mW/g

Test Laboratory: HCT CO., LTD
EUT Type: USM Modem
GPRS Class 10 and GPRS mode class B(GPRS and GSM, but not simultaneously)
Liquid Temperature: 21.2 °C
Ambient Temperature: 21.4 °C
Test Date: May 07, 2009

DUT: UMW190; Type: Bar; Serial: #1

Communication System: CDMA 835MHz FCC; Frequency: 836.52 MHz; Duty Cycle: 1:1
Medium parameters used (interpolated): $f = 836.52$ MHz; $\sigma = 0.991$ mho/m; $\epsilon_r = 54$; $\rho = 1000$ kg/m³
Phantom section: Flat Section ; Measurement SW: DASY4, V4.7 Build 80; Postprocessing SW: SEMCAD, V1.8 Build 176

DASY4 Configuration:

- Probe: ET3DV6 - SN1609; ConvF(6.08, 6.08, 6.08); Calibrated: 2009-03-17
- Sensor-Surface: 4mm (Mechanical Surface Detection)
- Electronics: DAE4 Sn869; Calibrated: 2008-09-03
- Phantom: 835/900 Phantom ; Type: SAM

CDMA Body 384/Area Scan (41x71x1): Measurement grid: dx=15mm, dy=15mm

[Info: Interpolated medium parameters used for SAR evaluation.](#)

Maximum value of SAR (interpolated) = 1.02 mW/g

CDMA Body 384/Zoom Scan (5x5x7)/Cube 0: Measurement grid: dx=8mm, dy=8mm, dz=5mm

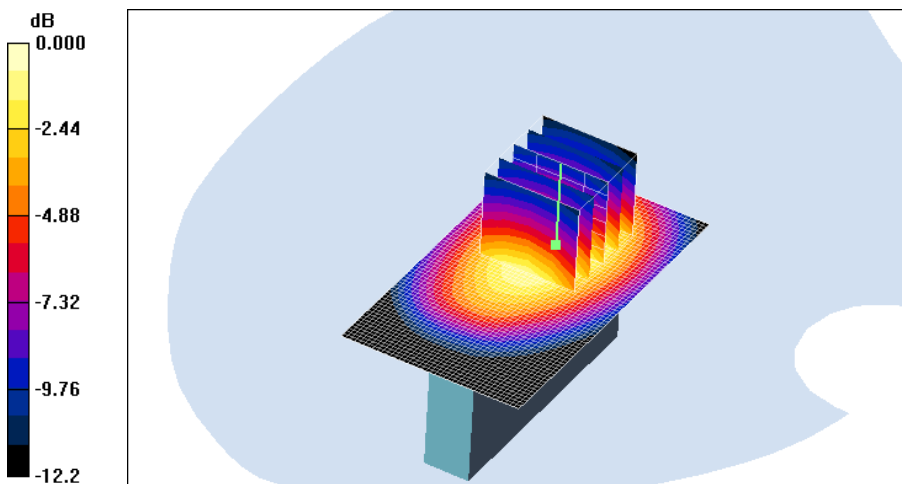
Reference Value = 30.9 V/m; Power Drift = -0.003 dB

Peak SAR (extrapolated) = 1.45 W/kg

SAR(1 g) = 0.947 mW/g; SAR(10 g) = 0.593 mW/g

[Info: Interpolated medium parameters used for SAR evaluation.](#)

Maximum value of SAR (measured) = 1.03 mW/g



Test Laboratory: HCT CO., LTD
EUT Type: USM Modem
GPRS Class 10 and GPRS mode class B(GPRS and GSM, but not simultaneously)
Liquid Temperature: 21.2 °C
Ambient Temperature: 21.4 °C
Test Date: May 07, 2009

DUT: UMW190; Type: Bar; Serial: #1

Communication System: CDMA 835MHz FCC; Frequency: 848.31 MHz; Duty Cycle: 1:1
Medium parameters used (interpolated): $f = 848.31$ MHz; $\sigma = 1$ mho/m; $\epsilon_r = 53.8$; $\rho = 1000$ kg/m³
Phantom section: Flat Section ; Measurement SW: DASY4, V4.7 Build 80; Postprocessing SW: SEMCAD, V1.8 Build 176

DASY4 Configuration:

- Probe: ET3DV6 - SN1609; ConvF(6.08, 6.08, 6.08); Calibrated: 2009-03-17
- Sensor-Surface: 4mm (Mechanical Surface Detection)
- Electronics: DAE4 Sn869; Calibrated: 2008-09-03
- Phantom: 835/900 Phantom ; Type: SAM

CDMA Body 777/Area Scan (41x71x1): Measurement grid: dx=15mm, dy=15mm

[Info: Interpolated medium parameters used for SAR evaluation.](#)

Maximum value of SAR (interpolated) = 1.12 mW/g

CDMA Body 777/Zoom Scan (5x5x7)/Cube 0: Measurement grid: dx=8mm, dy=8mm, dz=5mm

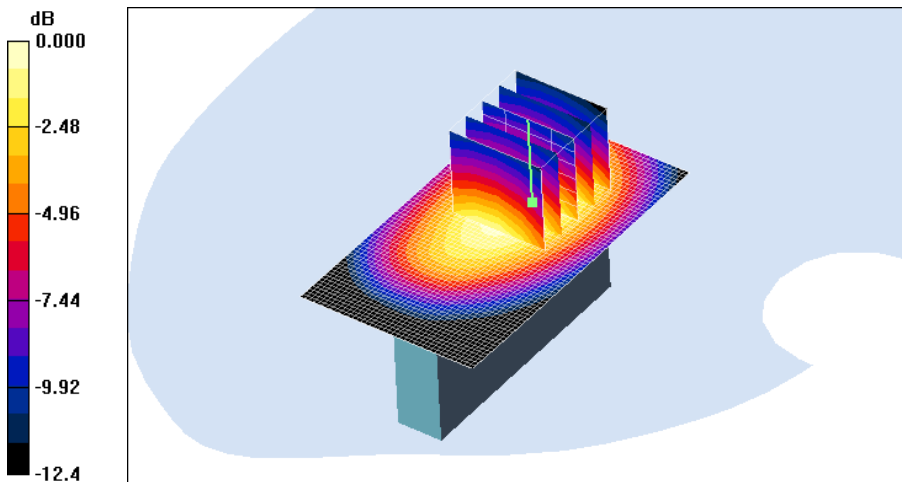
Reference Value = 31.3 V/m; Power Drift = -0.083 dB

Peak SAR (extrapolated) = 1.57 W/kg

SAR(1 g) = 1.02 mW/g; SAR(10 g) = 0.644 mW/g

[Info: Interpolated medium parameters used for SAR evaluation.](#)

Maximum value of SAR (measured) = 1.09 mW/g



Test Laboratory: HCT CO., LTD
EUT Type: USM Modem
GPRS Class 10 and GPRS mode class B(GPRS and GSM, but not simultaneously)
Liquid Temperature: 21.2 °C
Ambient Temperature: 21.4 °C
Test Date: May 07, 2009

DUT: UMW190; Type: Bar; Serial: #1

Communication System: CDMA 835MHz FCC; Frequency: 836.52 MHz; Duty Cycle: 1:1
Medium parameters used (interpolated): $f = 836.52$ MHz; $\sigma = 0.991$ mho/m; $\epsilon_r = 54$; $\rho = 1000$ kg/m³
Phantom section: Flat Section ; Measurement SW: DASY4, V4.7 Build 80; Postprocessing SW: SEMCAD, V1.8 Build 176

DASY4 Configuration:

- Probe: ET3DV6 - SN1609; ConvF(6.08, 6.08, 6.08); Calibrated: 2009-03-17
- Sensor-Surface: 4mm (Mechanical Surface Detection)
- Electronics: DAE4 Sn869; Calibrated: 2008-09-03
- Phantom: 835/900 Phantom ; Type: SAM

CDMA Body 384/Area Scan (41x41x1): Measurement grid: dx=15mm, dy=15mm[Info: Interpolated medium parameters used for SAR evaluation.](#)

Maximum value of SAR (interpolated) = 0.489 mW/g

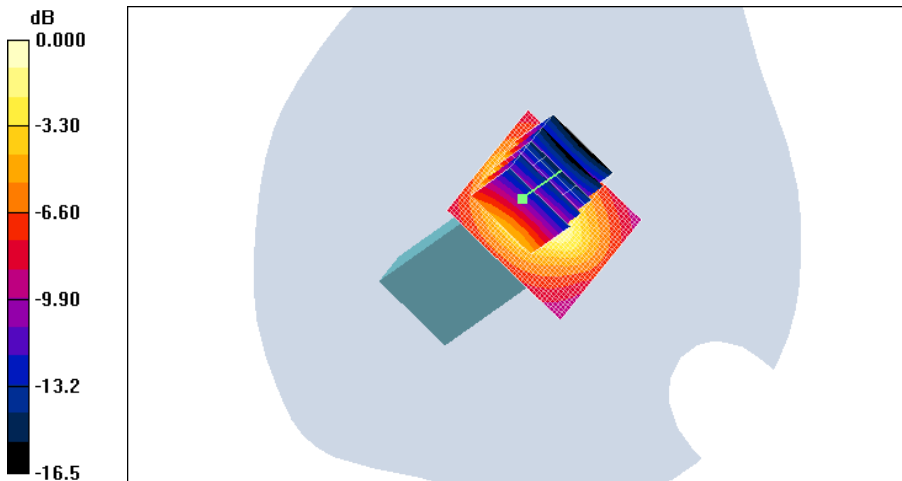
CDMA Body 384/Zoom Scan (5x5x7)/Cube 0: Measurement grid: dx=8mm, dy=8mm, dz=5mm

Reference Value = 20.6 V/m; Power Drift = 0.081 dB

Peak SAR (extrapolated) = 1.37 W/kg

SAR(1 g) = 0.460 mW/g; SAR(10 g) = 0.226 mW/g

Maximum value of SAR (measured) = 0.462 mW/g



0 dB = 0.462mW/g

Test Laboratory: HCT CO., LTD
EUT Type: USM Modem
GPRS Class 10 and GPRS mode class B(GPRS and GSM, but not simultaneously)
Liquid Temperature: 21.1 °C
Ambient Temperature: 21.3 °C
Test Date: May 08, 2009

DUT: UMW190; Type: Bar; Serial: #1

Communication System: PCS 1900; Frequency: 1880 MHz; Duty Cycle: 1:1
Medium parameters used: $f = 1880$ MHz; $\sigma = 1.5$ mho/m; $\epsilon_r = 52$; $\rho = 1000$ kg/m³
Phantom section: Flat Section ; Measurement SW: DASY4, V4.7 Build 80; Postprocessing SW: SEMCAD, V1.8 Build 176

DASY4 Configuration:

- Probe: ET3DV6 - SN1609; ConvF(4.61, 4.61, 4.61); Calibrated: 2009-03-17
- Sensor-Surface: 4mm (Mechanical Surface Detection)
- Electronics: DAE4 Sn869; Calibrated: 2008-09-03
- Phantom: 1800/1900 Phantom; Type: SAM

PCS Body 600/Area Scan (41x81x1): Measurement grid: dx=15mm, dy=15mm

Maximum value of SAR (interpolated) = 0.737 mW/g

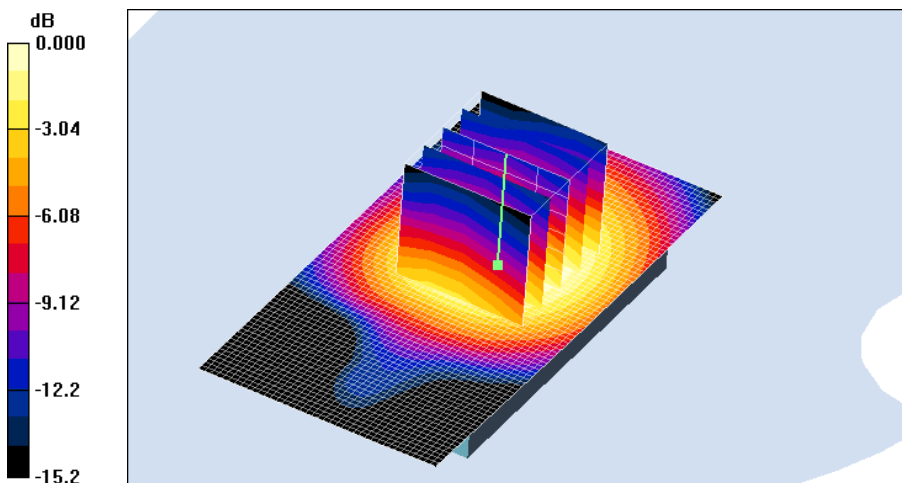
PCS Body 600/Zoom Scan (5x5x7)/Cube 0: Measurement grid: dx=8mm, dy=8mm, dz=5mm

Reference Value = 11.7 V/m; Power Drift = 0.12 dB

Peak SAR (extrapolated) = 0.729 W/kg

SAR(1 g) = 0.560 mW/g; SAR(10 g) = 0.350 mW/g

Maximum value of SAR (measured) = 0.618 mW/g



0 dB = 0.618mW/g

Test Laboratory: HCT CO., LTD
EUT Type: USM Modem
GPRS Class 10 and GPRS mode class B(GPRS and GSM, but not simultaneously)
Liquid Temperature: 21.1 °C
Ambient Temperature: 21.3 °C
Test Date: May 08, 2009

DUT: UMW190; Type: Bar; Serial: #1

Communication System: PCS 1900; Frequency: 1880 MHz; Duty Cycle: 1:1
Medium parameters used: $f = 1880$ MHz; $\sigma = 1.5$ mho/m; $\epsilon_r = 52$; $\rho = 1000$ kg/m³
Phantom section: Flat Section ; Measurement SW: DASY4, V4.7 Build 80; Postprocessing SW: SEMCAD, V1.8 Build 176

DASY4 Configuration:

- Probe: ET3DV6 - SN1609; ConvF(4.61, 4.61, 4.61); Calibrated: 2009-03-17
- Sensor-Surface: 4mm (Mechanical Surface Detection)
- Electronics: DAE4 Sn869; Calibrated: 2008-09-03
- Phantom: 1800/1900 Phantom; Type: SAM

PCS Body 600/Area Scan (41x81x1): Measurement grid: dx=15mm, dy=15mm

Maximum value of SAR (interpolated) = 0.736 mW/g

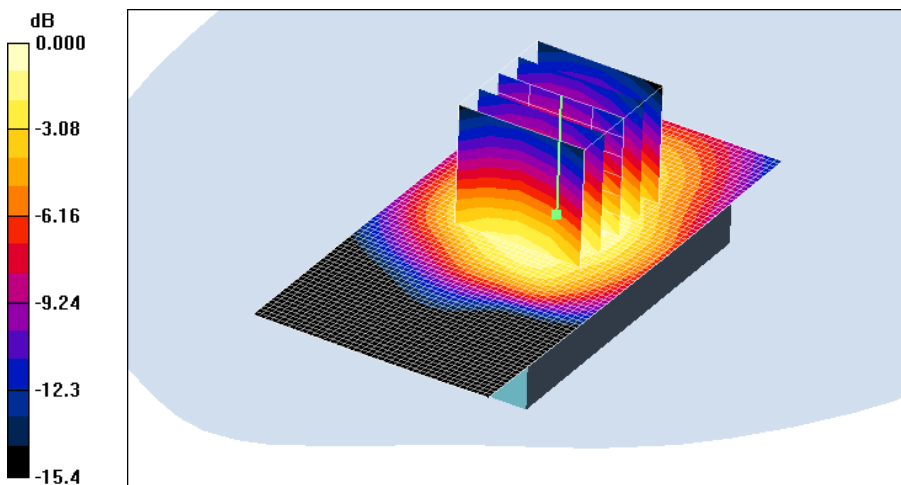
PCS Body 600/Zoom Scan (5x5x7)/Cube 0: Measurement grid: dx=8mm, dy=8mm, dz=5mm

Reference Value = 14.6 V/m; Power Drift = -0.067 dB

Peak SAR (extrapolated) = 0.842 W/kg

SAR(1 g) = 0.671 mW/g; SAR(10 g) = 0.442 mW/g

Maximum value of SAR (measured) = 0.715 mW/g



0 dB = 0.715mW/g

Test Laboratory: HCT CO., LTD
EUT Type: USM Modem
GPRS Class 10 and GPRS mode class B(GPRS and GSM, but not simultaneously)
Liquid Temperature: 21.1 °C
Ambient Temperature: 21.3 °C
Test Date: May 08, 2009

DUT: UMW190; Type: Bar; Serial: #1

Communication System: PCS 1900; Frequency: 1851.25 MHz; Duty Cycle: 1:1
Medium parameters used (interpolated): $f = 1851.25$ MHz; $\sigma = 1.47$ mho/m; $\epsilon_r = 52.2$; $\rho = 1000$ kg/m³
Phantom section: Flat Section ; Measurement SW: DASY4, V4.7 Build 80; Postprocessing SW: SEMCAD, V1.8 Build 176

DASY4 Configuration:

- Probe: ET3DV6 - SN1609; ConvF(4.61, 4.61, 4.61); Calibrated: 2009-03-17
- Sensor-Surface: 4mm (Mechanical Surface Detection)
- Electronics: DAE4 Sn869; Calibrated: 2008-09-03
- Phantom: 1800/1900 Phantom; Type: SAM

PCS Body 25/Area Scan (41x81x1): Measurement grid: dx=15mm, dy=15mm

[Info: Interpolated medium parameters used for SAR evaluation.](#)

Maximum value of SAR (interpolated) = 1.19 mW/g

PCS Body 25/Zoom Scan (5x5x7)/Cube 0: Measurement grid: dx=8mm, dy=8mm, dz=5mm

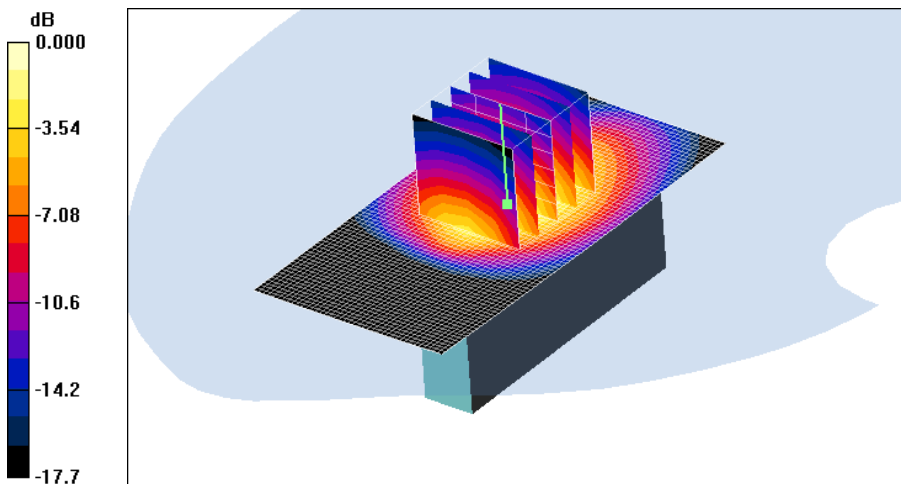
Reference Value = 10.7 V/m; Power Drift = 0.009 dB

Peak SAR (extrapolated) = 1.36 W/kg

SAR(1 g) = 0.991 mW/g; SAR(10 g) = 0.569 mW/g

[Info: Interpolated medium parameters used for SAR evaluation.](#)

Maximum value of SAR (measured) = 1.09 mW/g



Test Laboratory: HCT CO., LTD
EUT Type: USM Modem
GPRS Class 10 and GPRS mode class B(GPRS and GSM, but not simultaneously)
Liquid Temperature: 21.1 °C
Ambient Temperature: 21.3 °C
Test Date: May 08, 2009

DUT: UMW190; Type: Bar; Serial: #1

Communication System: PCS 1900; Frequency: 1880 MHz; Duty Cycle: 1:1
Medium parameters used: $f = 1880$ MHz; $\sigma = 1.5$ mho/m; $\epsilon_r = 52$; $\rho = 1000$ kg/m³
Phantom section: Flat Section ; Measurement SW: DASY4, V4.7 Build 80; Postprocessing SW: SEMCAD, V1.8 Build 176

DASY4 Configuration:

- Probe: ET3DV6 - SN1609; ConvF(4.61, 4.61, 4.61); Calibrated: 2009-03-17
- Sensor-Surface: 4mm (Mechanical Surface Detection)
- Electronics: DAE4 Sn869; Calibrated: 2008-09-03
- Phantom: 1800/1900 Phantom; Type: SAM

PCS Body 600/Area Scan (41x81x1): Measurement grid: dx=15mm, dy=15mm

Maximum value of SAR (interpolated) = 1.12 mW/g

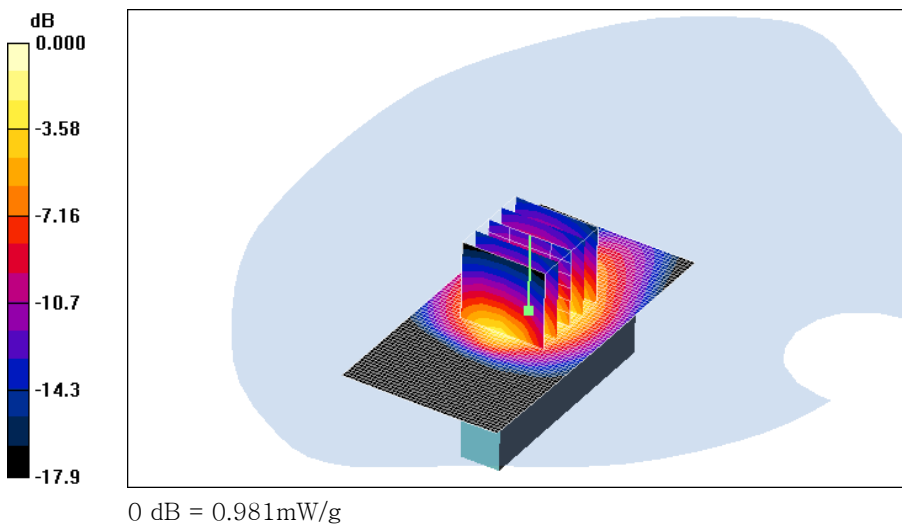
PCS Body 600/Zoom Scan (5x5x7)/Cube 0: Measurement grid: dx=8mm, dy=8mm, dz=5mm

Reference Value = 10.1 V/m; Power Drift = 0.021 dB

Peak SAR (extrapolated) = 1.25 W/kg

SAR(1 g) = 0.901 mW/g; SAR(10 g) = 0.514 mW/g

Maximum value of SAR (measured) = 0.981 mW/g



Test Laboratory: HCT CO., LTD
EUT Type: USM Modem
GPRS Class 10 and GPRS mode class B(GPRS and GSM, but not simultaneously)
Liquid Temperature: 21.1 °C
Ambient Temperature: 21.3 °C
Test Date: May 08, 2009

DUT: UMW190; Type: Bar; Serial: #1

Communication System: PCS 1900; Frequency: 1908.75 MHz; Duty Cycle: 1:1
Medium parameters used (interpolated): $f = 1908.75$ MHz; $\sigma = 1.53$ mho/m; $\epsilon_r = 51.7$; $\rho = 1000$ kg/m³
Phantom section: Flat Section ; Measurement SW: DASY4, V4.7 Build 80; Postprocessing SW: SEMCAD, V1.8 Build 176

DASY4 Configuration:

- Probe: ET3DV6 - SN1609; ConvF(4.61, 4.61, 4.61); Calibrated: 2009-03-17
- Sensor-Surface: 4mm (Mechanical Surface Detection)
- Electronics: DAE4 Sn869; Calibrated: 2008-09-03
- Phantom: 1800/1900 Phantom; Type: SAM

PCS Body 1175/Area Scan (41x81x1): Measurement grid: dx=15mm, dy=15mm

[Info: Interpolated medium parameters used for SAR evaluation.](#)

Maximum value of SAR (interpolated) = 1.14 mW/g

PCS Body 1175/Zoom Scan (5x5x7)/Cube 0: Measurement grid: dx=8mm, dy=8mm, dz=5mm

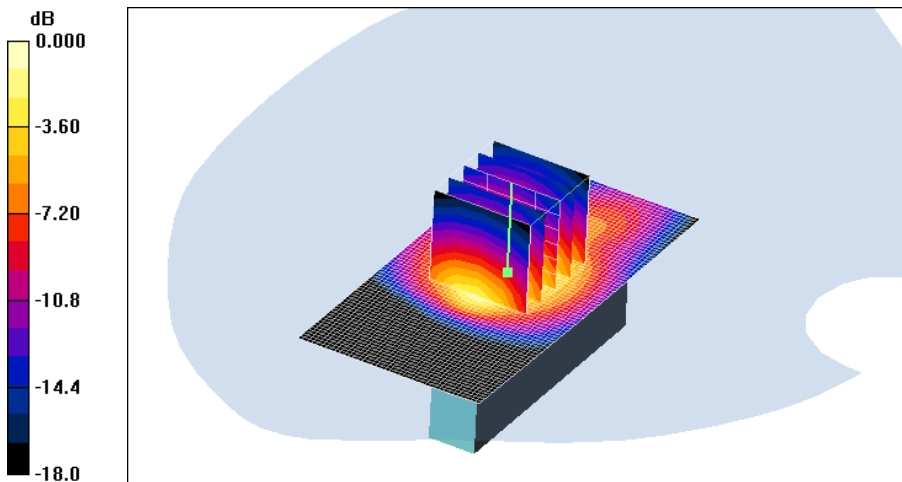
Reference Value = 11.2 V/m; Power Drift = 0.117 dB

Peak SAR (extrapolated) = 1.49 W/kg

SAR(1 g) = 1.04 mW/g; SAR(10 g) = 0.577 mW/g

[Info: Interpolated medium parameters used for SAR evaluation.](#)

Maximum value of SAR (measured) = 1.14 mW/g



Test Laboratory: HCT CO., LTD
EUT Type: USM Modem
GPRS Class 10 and GPRS mode class B(GPRS and GSM, but not simultaneously)
Liquid Temperature: 21.1 °C
Ambient Temperature: 21.3 °C
Test Date: May 08, 2009

DUT: UMW190; Type: Bar; Serial: #1

Communication System: PCS 1900; Frequency: 1880 MHz; Duty Cycle: 1:1
Medium parameters used: $f = 1880$ MHz; $\sigma = 1.5$ mho/m; $\epsilon_r = 52$; $\rho = 1000$ kg/m³
Phantom section: Flat Section ; Measurement SW: DASY4, V4.7 Build 55; Postprocessing SW: SEMCAD, V1.8 Build 176

DASY4 Configuration:

- Probe: ET3DV6 - SN1609; ConvF(4.61, 4.61, 4.61); Calibrated: 2009-03-17
- Sensor-Surface: 4mm (Mechanical Surface Detection)
- Electronics: DAE4 Sn869; Calibrated: 2008-09-03
- Phantom: 1800/1900 Phantom; Type: SAM

PCS Body 600/Area Scan (41x81x1): Measurement grid: dx=15mm, dy=15mm

Maximum value of SAR (interpolated) = 0.746 mW/g

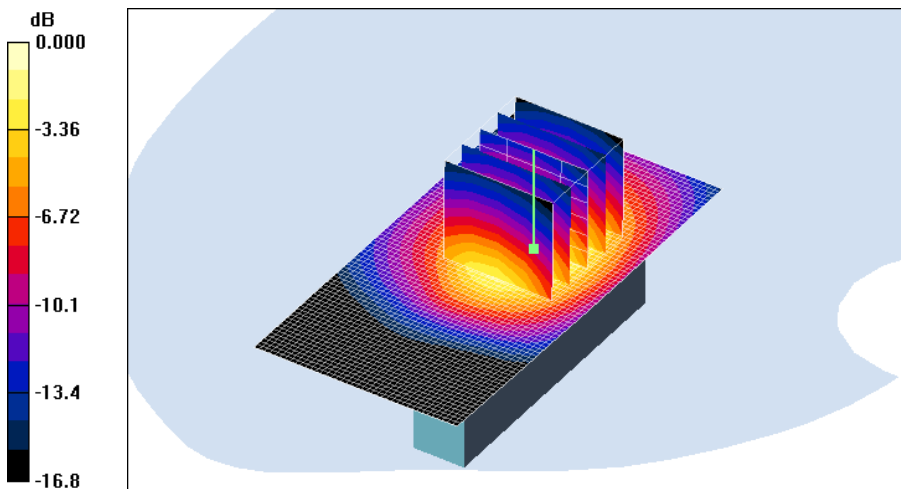
PCS Body 600/Zoom Scan (5x5x7)/Cube 0: Measurement grid: dx=8mm, dy=8mm, dz=5mm

Reference Value = 9.81 V/m; Power Drift = 0.038 dB

Peak SAR (extrapolated) = 0.926 W/kg

SAR(1 g) = 0.656 mW/g; SAR(10 g) = 0.374 mW/g

Maximum value of SAR (measured) = 0.730 mW/g



0 dB = 0.730mW/g

Test Laboratory: HCT CO., LTD
EUT Type: USM Modem
GPRS Class 10 and GPRS mode class B(GPRS and GSM, but not simultaneously)
Liquid Temperature: 21.1 °C
Ambient Temperature: 21.3 °C
Test Date: May 08, 2009

DUT: UMW190; Type: Bar; Serial: #1

Communication System: PCS 1900; Frequency: 1880 MHz; Duty Cycle: 1:1
Medium parameters used: $f = 1880$ MHz; $\sigma = 1.5$ mho/m; $\epsilon_r = 52$; $\rho = 1000$ kg/m³
Phantom section: Flat Section ; Measurement SW: DASY4, V4.7 Build 80; Postprocessing SW: SEMCAD, V1.8 Build 176

DASY4 Configuration:

- Probe: ET3DV6 - SN1609; ConvF(4.61, 4.61, 4.61); Calibrated: 2009-03-17
- Sensor-Surface: 4mm (Mechanical Surface Detection)
- Electronics: DAE4 Sn869; Calibrated: 2008-09-03
- Phantom: 1800/1900 Phantom; Type: SAM

PCS Body 600/Area Scan (41x41x1): Measurement grid: dx=15mm, dy=15mm

Maximum value of SAR (interpolated) = 0.114 mW/g

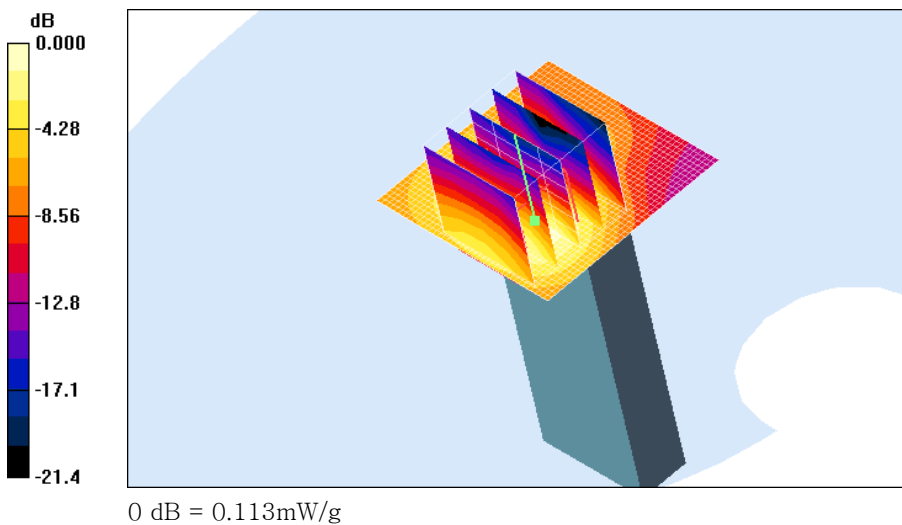
PCS Body 600/Zoom Scan (5x5x7)/Cube 0: Measurement grid: dx=8mm, dy=8mm, dz=5mm

Reference Value = 8.04 V/m; Power Drift = -0.087 dB

Peak SAR (extrapolated) = 0.173 W/kg

SAR(1 g) = 0.098 mW/g; SAR(10 g) = 0.051 mW/g

Maximum value of SAR (measured) = 0.113 mW/g



Test Laboratory: HCT CO., LTD
EUT Type: USM Modem
GPRS Class 10 and GPRS mode class B(GPRS and GSM, but not simultaneously)
Liquid Temperature: 21.2 °C
Ambient Temperature: 21.4 °C
Test Date: May 07, 2009

DUT: UMW190; Type: Bar; Serial: #1

Communication System: GSM 850; Frequency: 824.2 MHz; Duty Cycle: 1:4.15
Medium parameters used: $f = 825$ MHz; $\sigma = 0.982$ mho/m; $\epsilon_r = 54.1$; $\rho = 1000$ kg/m³
Phantom section: Flat Section ; Measurement SW: DASY4, V4.7 Build 80; Postprocessing SW: SEMCAD, V1.8 Build 176

DASY4 Configuration:

- Probe: ET3DV6 - SN1609; ConvF(6.08, 6.08, 6.08); Calibrated: 2009-03-17
- Sensor-Surface: 4mm (Mechanical Surface Detection)
- Electronics: DAE4 Sn869; Calibrated: 2008-09-03
- Phantom: 835/900 Phantom ; Type: SAM

GSM850 128/Area Scan (41x81x1): Measurement grid: dx=15mm, dy=15mm

Maximum value of SAR (interpolated) = 1.32 mW/g

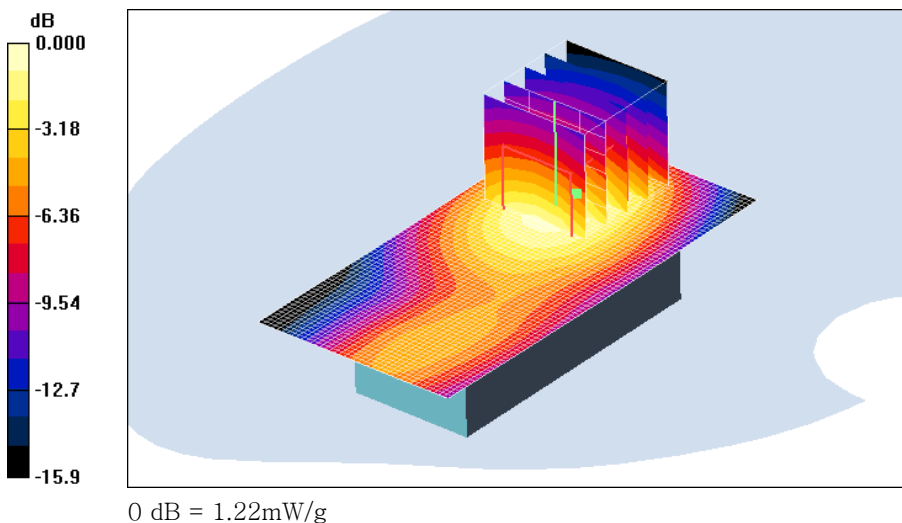
GSM850 128/Zoom Scan (5x5x7)/Cube 0: Measurement grid: dx=8mm, dy=8mm, dz=5mm

Reference Value = 32.5 V/m; Power Drift = -0.054 dB

Peak SAR (extrapolated) = 2.16 W/kg

SAR(1 g) = 1.13 mW/g; SAR(10 g) = 0.673 mW/g

Maximum value of SAR (measured) = 1.22 mW/g



Test Laboratory: HCT CO., LTD
EUT Type: USM Modem
GPRS Class 10 and GPRS mode class B(GPRS and GSM, but not simultaneously)
Liquid Temperature: 21.2 °C
Ambient Temperature: 21.4 °C
Test Date: May 07, 2009

DUT: UMW190; Type: Bar; Serial: #1

Communication System: GSM 850; Frequency: 836.6 MHz; Duty Cycle: 1:4.15
Medium parameters used (interpolated): $f = 836.6$ MHz; $\sigma = 0.991$ mho/m; $\epsilon_r = 54$; $\rho = 1000$ kg/m³
Phantom section: Flat Section ; Measurement SW: DASY4, V4.7 Build 80; Postprocessing SW: SEMCAD, V1.8 Build 176

DASY4 Configuration:

- Probe: ET3DV6 - SN1609; ConvF(6.08, 6.08, 6.08); Calibrated: 2009-03-17
- Sensor-Surface: 4mm (Mechanical Surface Detection)
- Electronics: DAE4 Sn869; Calibrated: 2008-09-03
- Phantom: 835/900 Phantom ; Type: SAM

GSM850 190/Area Scan (41x81x1): Measurement grid: dx=15mm, dy=15mm

[Info: Interpolated medium parameters used for SAR evaluation.](#)

Maximum value of SAR (interpolated) = 1.22 mW/g

GSM850 190/Zoom Scan (5x5x7)/Cube 0: Measurement grid: dx=8mm, dy=8mm, dz=5mm

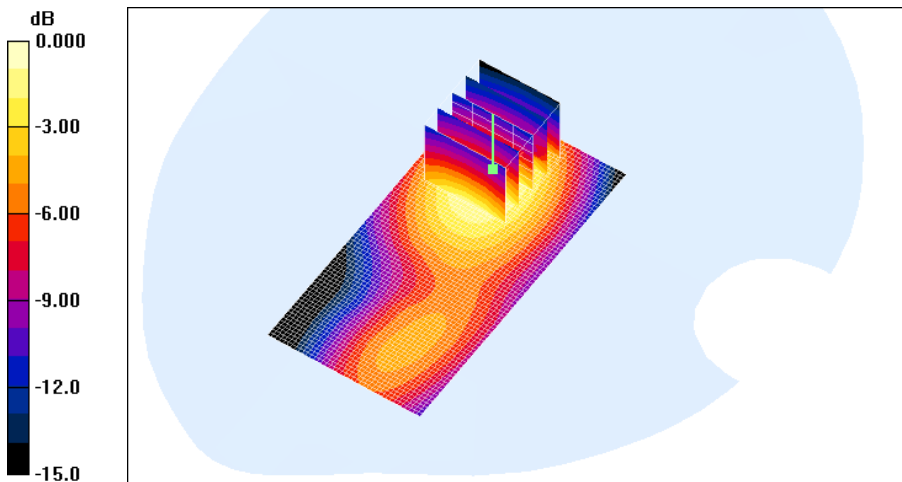
Reference Value = 32.1 V/m; Power Drift = -0.036 dB

Peak SAR (extrapolated) = 1.88 W/kg

SAR(1 g) = 1.1 mW/g; SAR(10 g) = 0.645 mW/g

[Info: Interpolated medium parameters used for SAR evaluation.](#)

Maximum value of SAR (measured) = 1.21 mW/g



Test Laboratory: HCT CO., LTD
EUT Type: USM Modem
GPRS Class 10 and GPRS mode class B(GPRS and GSM, but not simultaneously)
Liquid Temperature: 21.2 °C
Ambient Temperature: 21.4 °C
Test Date: May 07, 2009

DUT: UMW190; Type: Bar; Serial: #1

Communication System: GSM 850; Frequency: 848.8 MHz; Duty Cycle: 1:4.15
Medium parameters used (interpolated): $f = 848.8$ MHz; $\sigma = 1$ mho/m; $\epsilon_r = 53.8$; $\rho = 1000$ kg/m³
Phantom section: Flat Section ; Measurement SW: DASY4, V4.7 Build 80; Postprocessing SW: SEMCAD, V1.8 Build 176

DASY4 Configuration:

- Probe: ET3DV6 - SN1609; ConvF(6.08, 6.08, 6.08); Calibrated: 2009-03-17
- Sensor-Surface: 4mm (Mechanical Surface Detection)
- Electronics: DAE4 Sn869; Calibrated: 2008-09-03
- Phantom: 835/900 Phantom ; Type: SAM

GSM850 251/Area Scan (41x81x1): Measurement grid: dx=15mm, dy=15mm[Info: Interpolated medium parameters used for SAR evaluation.](#)

Maximum value of SAR (interpolated) = 1.24 mW/g

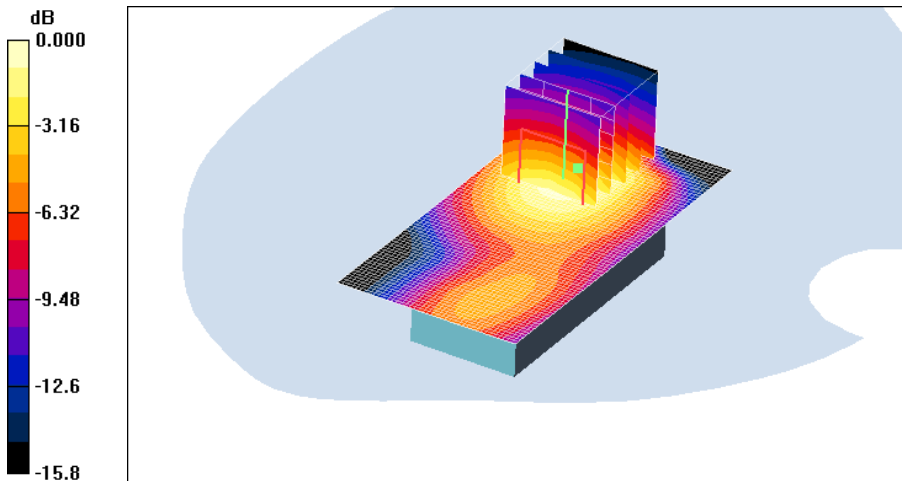
GSM850 251/Zoom Scan (5x5x7)/Cube 0: Measurement grid: dx=8mm, dy=8mm, dz=5mm

Reference Value = 31.9 V/m; Power Drift = -0.075 dB

Peak SAR (extrapolated) = 2.04 W/kg

SAR(1 g) = 1.11 mW/g; SAR(10 g) = 0.652 mW/g

Maximum value of SAR (measured) = 1.19 mW/g



Test Laboratory: HCT CO., LTD
EUT Type: USM Modem
GPRS Class 10 and GPRS mode class B(GPRS and GSM, but not simultaneously)
Liquid Temperature: 21.2 °C
Ambient Temperature: 21.4 °C
Test Date: May 07, 2009

DUT: UMW190; Type: Bar; Serial: #1

Communication System: GSM 850; Frequency: 824.2 MHz; Duty Cycle: 1:4.15
Medium parameters used: $f = 825$ MHz; $\sigma = 0.982$ mho/m; $\epsilon_r = 54.1$; $\rho = 1000$ kg/m³
Phantom section: Flat Section ; Measurement SW: DASY4, V4.7 Build 80; Postprocessing SW: SEMCAD, V1.8 Build 176

DASY4 Configuration:

- Probe: ET3DV6 - SN1609; ConvF(6.08, 6.08, 6.08); Calibrated: 2009-03-17
- Sensor-Surface: 4mm (Mechanical Surface Detection)
- Electronics: DAE4 Sn869; Calibrated: 2008-09-03
- Phantom: 835/900 Phantom ; Type: SAM

GSM850 128/Area Scan (41x81x1): Measurement grid: dx=15mm, dy=15mm

Maximum value of SAR (interpolated) = 1.08 mW/g

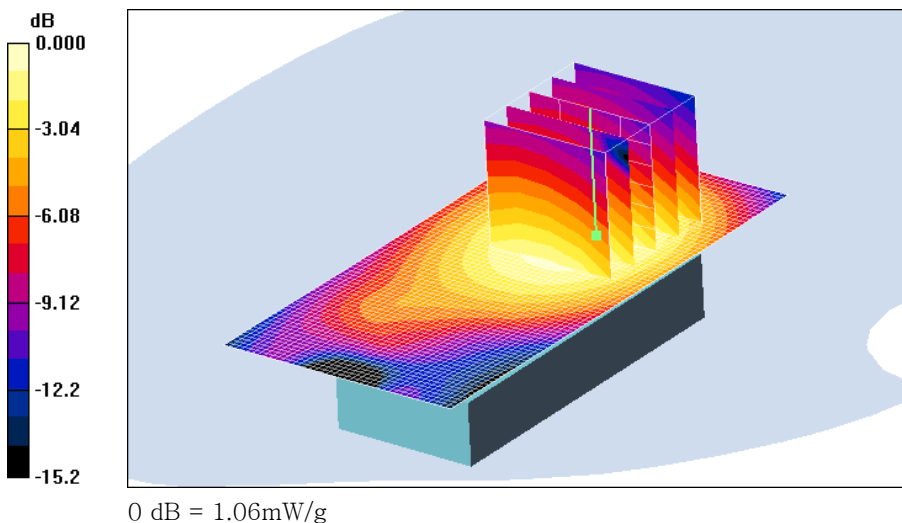
GSM850 128/Zoom Scan (5x5x7)/Cube 0: Measurement grid: dx=8mm, dy=8mm, dz=5mm

Reference Value = 32.2 V/m; Power Drift = 0.015 dB

Peak SAR (extrapolated) = 1.46 W/kg

SAR(1 g) = 0.997 mW/g; SAR(10 g) = 0.669 mW/g

Maximum value of SAR (measured) = 1.06 mW/g



Test Laboratory: HCT CO., LTD
EUT Type: USM Modem
GPRS Class 10 and GPRS mode class B(GPRS and GSM, but not simultaneously)
Liquid Temperature: 21.2 °C
Ambient Temperature: 21.4 °C
Test Date: May 07, 2009

DUT: UMW190; Type: Bar; Serial: #1

Communication System: GSM 850; Frequency: 836.6 MHz; Duty Cycle: 1:4.15
Medium parameters used (interpolated): $f = 836.6$ MHz; $\sigma = 0.991$ mho/m; $\epsilon_r = 54$; $\rho = 1000$ kg/m³
Phantom section: Flat Section ; Measurement SW: DASY4, V4.7 Build 80; Postprocessing SW: SEMCAD, V1.8 Build 176

DASY4 Configuration:

- Probe: ET3DV6 - SN1609; ConvF(6.08, 6.08, 6.08); Calibrated: 2009-03-17
- Sensor-Surface: 4mm (Mechanical Surface Detection)
- Electronics: DAE4 Sn869; Calibrated: 2008-09-03
- Phantom: 835/900 Phantom ; Type: SAM

GSM850 190/Area Scan (41x81x1): Measurement grid: dx=15mm, dy=15mm

[Info: Interpolated medium parameters used for SAR evaluation.](#)

Maximum value of SAR (interpolated) = 0.964 mW/g

GSM850 190/Zoom Scan (5x5x7)/Cube 0: Measurement grid: dx=8mm, dy=8mm, dz=5mm

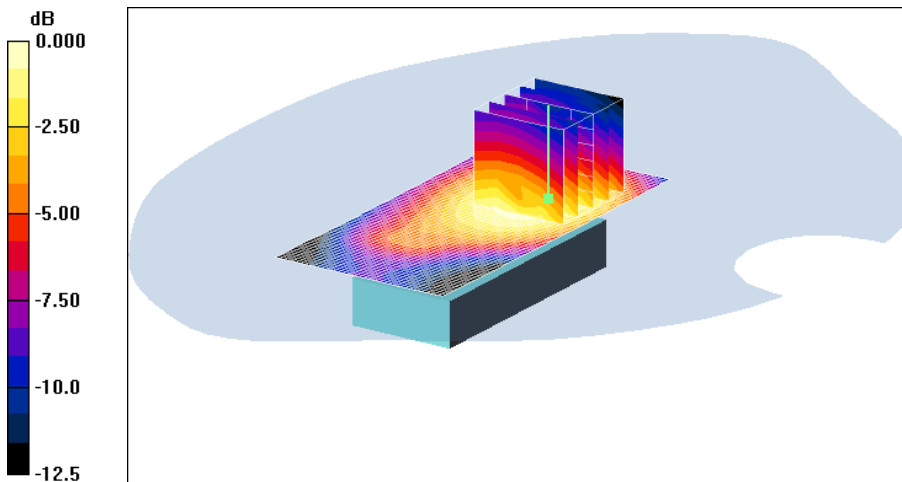
Reference Value = 29.7 V/m; Power Drift = -0.010 dB

Peak SAR (extrapolated) = 1.23 W/kg

SAR(1 g) = 0.874 mW/g; SAR(10 g) = 0.588 mW/g

[Info: Interpolated medium parameters used for SAR evaluation.](#)

Maximum value of SAR (measured) = 0.933 mW/g



Test Laboratory: HCT CO., LTD
EUT Type: USM Modem
GPRS Class 10 and GPRS mode class B(GPRS and GSM, but not simultaneously)
Liquid Temperature: 21.2 °C
Ambient Temperature: 21.4 °C
Test Date: May 07, 2009

DUT: UMW190; Type: Bar; Serial: #1

Communication System: GSM 850; Frequency: 848.8 MHz; Duty Cycle: 1:8.3
Medium parameters used (interpolated): $f = 848.8$ MHz; $\sigma = 1$ mho/m; $\epsilon_r = 53.8$; $\rho = 1000$ kg/m³
Phantom section: Flat Section ; Measurement SW: DASY4, V4.7 Build 80; Postprocessing SW: SEMCAD, V1.8 Build 176

DASY4 Configuration:

- Probe: ET3DV6 - SN1609; ConvF(6.08, 6.08, 6.08); Calibrated: 2009-03-17
- Sensor-Surface: 4mm (Mechanical Surface Detection)
- Electronics: DAE4 Sn869; Calibrated: 2008-09-03
- Phantom: 835/900 Phantom ; Type: SAM

GSM850 251/Area Scan (41x81x1): Measurement grid: dx=15mm, dy=15mm

[Info: Interpolated medium parameters used for SAR evaluation.](#)

Maximum value of SAR (interpolated) = 1.13 mW/g

GSM850 251/Zoom Scan (5x5x7)/Cube 0: Measurement grid: dx=8mm, dy=8mm, dz=5mm

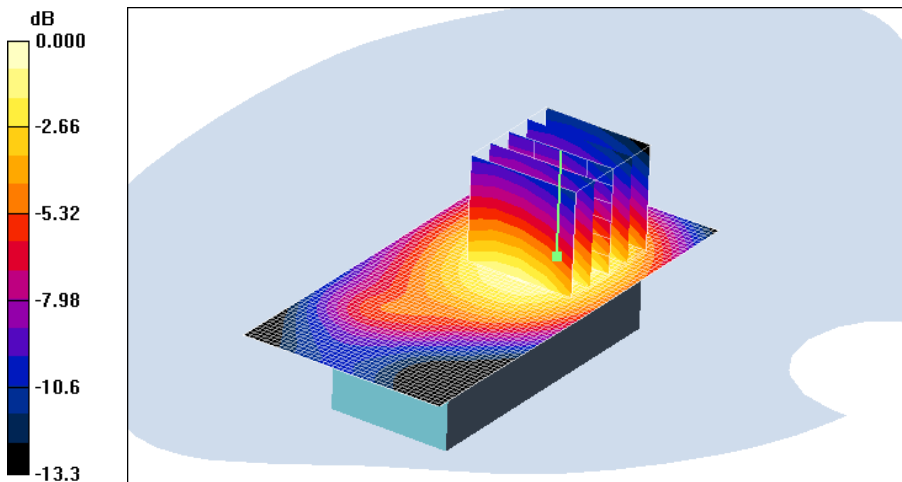
Reference Value = 32.0 V/m; Power Drift = -0.022 dB

Peak SAR (extrapolated) = 1.66 W/kg

SAR(1 g) = 1.08 mW/g; SAR(10 g) = 0.697 mW/g

[Info: Interpolated medium parameters used for SAR evaluation.](#)

Maximum value of SAR (measured) = 1.15 mW/g



0 dB = 1.15mW/g

Test Laboratory: HCT CO., LTD
EUT Type: USM Modem
GPRS Class 10 and GPRS mode class B(GPRS and GSM, but not simultaneously)
Liquid Temperature: 21.2 °C
Ambient Temperature: 21.4 °C
Test Date: May 07, 2009

DUT: UMW190; Type: Bar; Serial: #1

Communication System: GSM 850; Frequency: 836.6 MHz; Duty Cycle: 1:4.15
Medium parameters used (interpolated): $f = 836.6$ MHz; $\sigma = 0.991$ mho/m; $\epsilon_r = 54$; $\rho = 1000$ kg/m³
Phantom section: Flat Section ; Measurement SW: DASY4, V4.7 Build 80; Postprocessing SW: SEMCAD, V1.8 Build 176

DASY4 Configuration:

- Probe: ET3DV6 - SN1609; ConvF(6.08, 6.08, 6.08); Calibrated: 2009-03-17
- Sensor-Surface: 4mm (Mechanical Surface Detection)
- Electronics: DAE4 Sn869; Calibrated: 2008-09-03
- Phantom: 835/900 Phantom ; Type: SAM

GSM850 190/Area Scan (41x71x1): Measurement grid: dx=15mm, dy=15mm

[Info: Interpolated medium parameters used for SAR evaluation.](#)

Maximum value of SAR (interpolated) = 0.675 mW/g

GSM850 190/Zoom Scan (5x5x7)/Cube 0: Measurement grid: dx=8mm, dy=8mm, dz=5mm

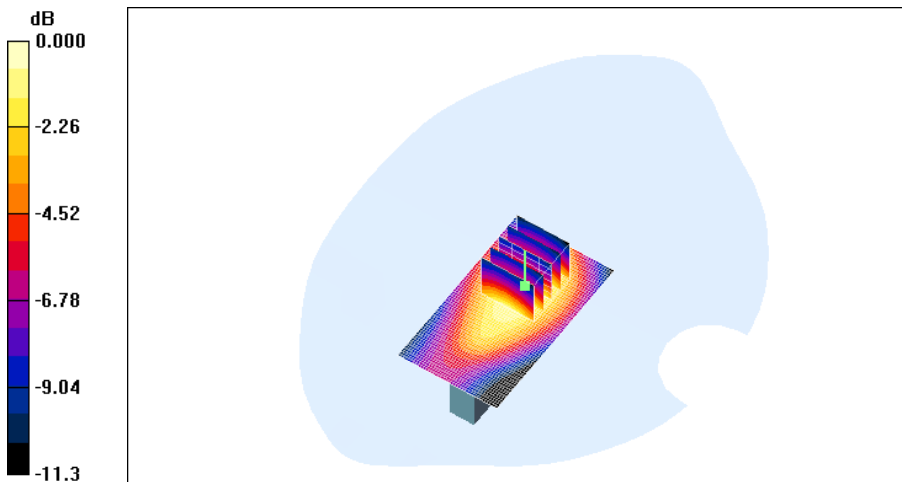
Reference Value = 25.2 V/m; Power Drift = 0.017 dB

Peak SAR (extrapolated) = 0.951 W/kg

SAR(1 g) = 0.635 mW/g; SAR(10 g) = 0.415 mW/g

[Info: Interpolated medium parameters used for SAR evaluation.](#)

Maximum value of SAR (measured) = 0.693 mW/g



Test Laboratory: HCT CO., LTD
EUT Type: USM Modem
GPRS Class 10 and GPRS mode class B(GPRS and GSM, but not simultaneously)
Liquid Temperature: 21.2 °C
Ambient Temperature: 21.4 °C
Test Date: May 07, 2009

DUT: UMW190; Type: Bar; Serial: #1

Communication System: GSM 850; Frequency: 824.2 MHz; Duty Cycle: 1:4.15
Medium parameters used: $f = 825$ MHz; $\sigma = 0.982$ mho/m; $\epsilon_r = 54.1$; $\rho = 1000$ kg/m³
Phantom section: Flat Section ; Measurement SW: DASY4, V4.7 Build 80; Postprocessing SW: SEMCAD, V1.8 Build 176

DASY4 Configuration:

- Probe: ET3DV6 - SN1609; ConvF(6.08, 6.08, 6.08); Calibrated: 2009-03-17
- Sensor-Surface: 4mm (Mechanical Surface Detection)
- Electronics: DAE4 Sn869; Calibrated: 2008-09-03
- Phantom: 835/900 Phantom ; Type: SAM

GSM850 128/Area Scan (41x71x1): Measurement grid: dx=15mm, dy=15mm

Maximum value of SAR (interpolated) = 1.09 mW/g

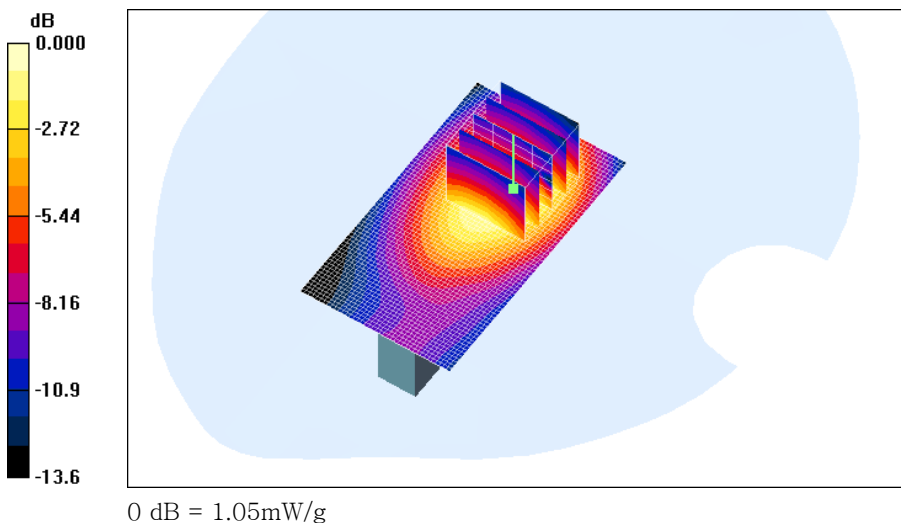
GSM850 128/Zoom Scan (5x5x7)/Cube 0: Measurement grid: dx=8mm, dy=8mm, dz=5mm

Reference Value = 32.1 V/m; Power Drift = -0.021 dB

Peak SAR (extrapolated) = 1.51 W/kg

SAR(1 g) = 0.972 mW/g; SAR(10 g) = 0.603 mW/g

Maximum value of SAR (measured) = 1.05 mW/g



0 dB = 1.05mW/g

Test Laboratory: HCT CO., LTD
EUT Type: USM Modem
GPRS Class 10 and GPRS mode class B(GPRS and GSM, but not simultaneously)
Liquid Temperature: 21.2 °C
Ambient Temperature: 21.4 °C
Test Date: May 07, 2009

DUT: UMW190; Type: Bar; Serial: #1

Communication System: GSM 850; Frequency: 836.6 MHz; Duty Cycle: 1:4.15
Medium parameters used (interpolated): $f = 836.6$ MHz; $\sigma = 0.991$ mho/m; $\epsilon_r = 54$; $\rho = 1000$ kg/m³
Phantom section: Flat Section ; Measurement SW: DASY4, V4.7 Build 80; Postprocessing SW: SEMCAD, V1.8 Build 176

DASY4 Configuration:

- Probe: ET3DV6 - SN1609; ConvF(6.08, 6.08, 6.08); Calibrated: 2009-03-17
- Sensor-Surface: 4mm (Mechanical Surface Detection)
- Electronics: DAE4 Sn869; Calibrated: 2008-09-03
- Phantom: 835/900 Phantom ; Type: SAM

GSM850 190/Area Scan (41x71x1): Measurement grid: dx=15mm, dy=15mm

[Info: Interpolated medium parameters used for SAR evaluation.](#)

Maximum value of SAR (interpolated) = 1.07 mW/g

GSM850 190/Zoom Scan (5x5x7)/Cube 0: Measurement grid: dx=8mm, dy=8mm, dz=5mm

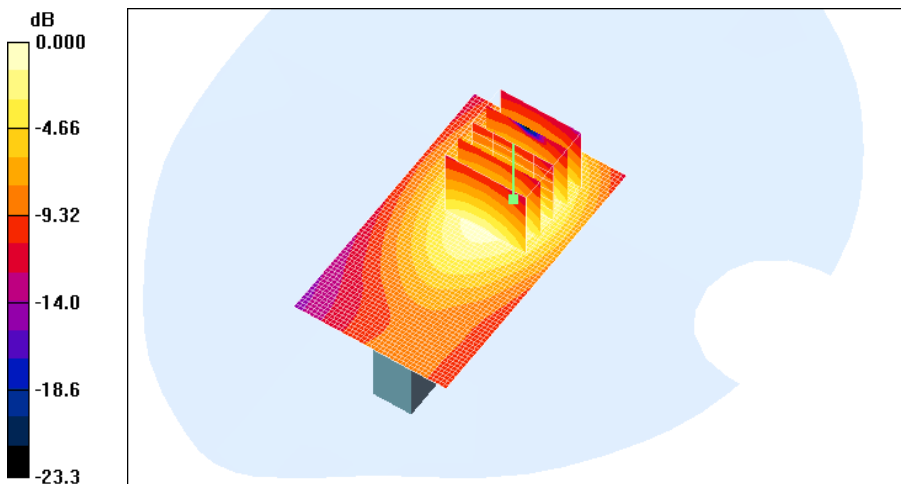
Reference Value = 31.6 V/m; Power Drift = -0.121 dB

Peak SAR (extrapolated) = 1.54 W/kg

SAR(1 g) = 0.953 mW/g; SAR(10 g) = 0.585 mW/g

[Info: Interpolated medium parameters used for SAR evaluation.](#)

Maximum value of SAR (measured) = 1.02 mW/g



Test Laboratory: HCT CO., LTD
EUT Type: USM Modem
GPRS Class 10 and GPRS mode class B(GPRS and GSM, but not simultaneously)
Liquid Temperature: 21.2 °C
Ambient Temperature: 21.4 °C
Test Date: May 07, 2009

DUT: UMW190; Type: Bar; Serial: #1

Communication System: GSM 850; Frequency: 848.8 MHz; Duty Cycle: 1:4.15
Medium parameters used (interpolated): $f = 848.8$ MHz; $\sigma = 1$ mho/m; $\epsilon_r = 53.8$; $\rho = 1000$ kg/m³
Phantom section: Flat Section ; Measurement SW: DASY4, V4.7 Build 80; Postprocessing SW: SEMCAD, V1.8 Build 176

DASY4 Configuration:

- Probe: ET3DV6 - SN1609; ConvF(6.08, 6.08, 6.08); Calibrated: 2009-03-17
- Sensor-Surface: 4mm (Mechanical Surface Detection)
- Electronics: DAE4 Sn869; Calibrated: 2008-09-03
- Phantom: 835/900 Phantom ; Type: SAM

GSM850 251/Area Scan (41x71x1): Measurement grid: dx=15mm, dy=15mm

[Info: Interpolated medium parameters used for SAR evaluation.](#)

Maximum value of SAR (interpolated) = 1.06 mW/g

GSM850 251/Zoom Scan (5x5x7)/Cube 0: Measurement grid: dx=8mm, dy=8mm, dz=5mm

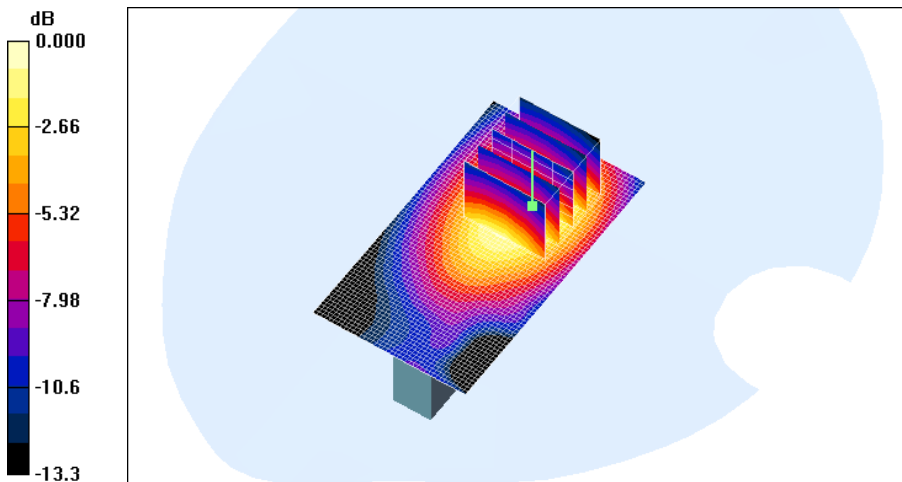
Reference Value = 31.0 V/m; Power Drift = 0.002 dB

Peak SAR (extrapolated) = 1.51 W/kg

SAR(1 g) = 0.950 mW/g; SAR(10 g) = 0.582 mW/g

[Info: Interpolated medium parameters used for SAR evaluation.](#)

Maximum value of SAR (measured) = 1.02 mW/g



0 dB = 1.02mW/g

Test Laboratory: HCT CO., LTD
EUT Type: USM Modem
GPRS Class 10 and GPRS mode class B(GPRS and GSM, but not simultaneously)
Liquid Temperature: 21.2 °C
Ambient Temperature: 21.4 °C
Test Date: May 07, 2009

DUT: UMW190; Type: Bar; Serial: #1

Communication System: GSM 850; Frequency: 836.6 MHz; Duty Cycle: 1:4.15
Medium parameters used (interpolated): $f = 836.6$ MHz; $\sigma = 0.991$ mho/m; $\epsilon_r = 54$; $\rho = 1000$ kg/m³
Phantom section: Flat Section ; Measurement SW: DASY4, V4.7 Build 80; Postprocessing SW: SEMCAD, V1.8 Build 176

DASY4 Configuration:

- Probe: ET3DV6 - SN1609; ConvF(6.08, 6.08, 6.08); Calibrated: 2009-03-17
- Sensor-Surface: 4mm (Mechanical Surface Detection)
- Electronics: DAE4 Sn869; Calibrated: 2008-09-03
- Phantom: 835/900 Phantom ; Type: SAM

GSM850 190/Area Scan (41x41x1): Measurement grid: dx=15mm, dy=15mm[Info: Interpolated medium parameters used for SAR evaluation.](#)

Maximum value of SAR (interpolated) = 0.436 mW/g

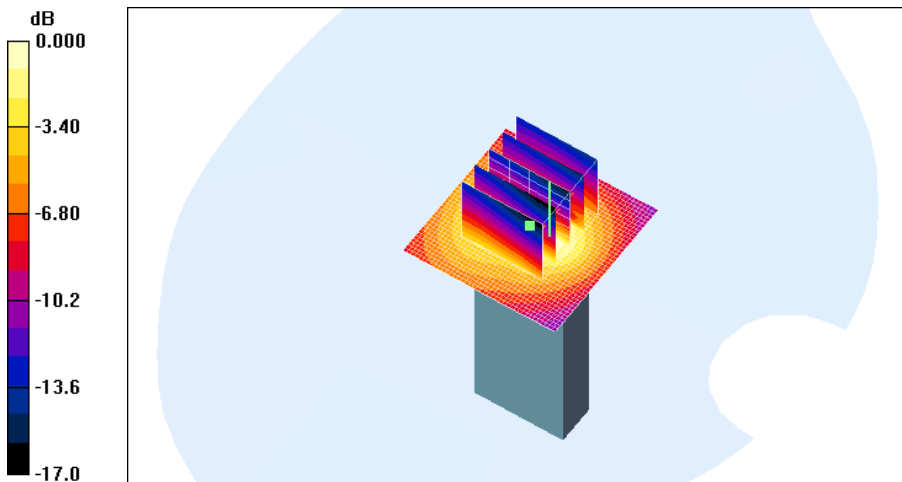
GSM850 190/Zoom Scan (5x5x7)/Cube 0: Measurement grid: dx=8mm, dy=8mm, dz=5mm

Reference Value = 21.5 V/m; Power Drift = -0.105 dB

Peak SAR (extrapolated) = 0.931 W/kg

SAR(1 g) = 0.415 mW/g; SAR(10 g) = 0.206 mW/g[Info: Interpolated medium parameters used for SAR evaluation.](#)

Maximum value of SAR (measured) = 0.471 mW/g



Test Laboratory: HCT CO., LTD
EUT Type: USM Modem
GPRS Class 10 and GPRS mode class B(GPRS and GSM, but not simultaneously)
Liquid Temperature: 21.2 °C
Ambient Temperature: 21.4 °C
Test Date: May 07, 2009

DUT: UMW190; Type: Bar; Serial: #1

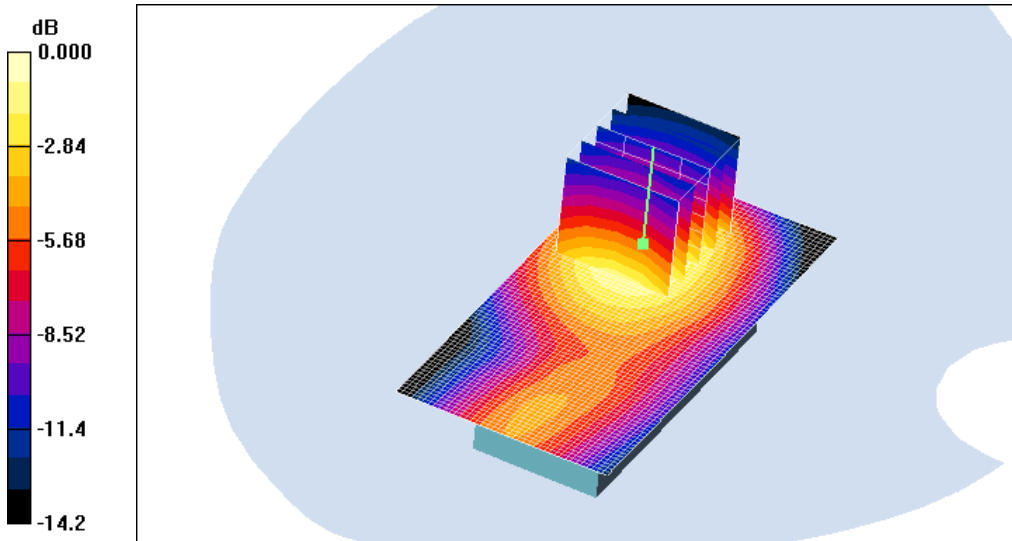
Communication System: GSM 850; Frequency: 824.2 MHz; Duty Cycle: 1:8.3
Medium parameters used: $f = 825$ MHz; $\sigma = 0.982$ mho/m; $\epsilon_r = 54.1$; $\rho = 1000$ kg/m³
Phantom section: Flat Section ; Measurement SW: DASY4, V4.7 Build 80; Postprocessing SW: SEMCAD, V1.8 Build 176

DASY4 Configuration:

- Probe: ET3DV6 - SN1609; ConvF(6.08, 6.08, 6.08); Calibrated: 2009-03-17
- Sensor-Surface: 4mm (Mechanical Surface Detection)
- Electronics: DAE4 Sn869; Calibrated: 2008-09-03
- Phantom: 835/900 Phantom ; Type: SAM

GSM850 128/Area Scan (41x81x1): Measurement grid: dx=15mm, dy=15mm
Maximum value of SAR (interpolated) = 0.636 mW/g

GSM850 128/Zoom Scan (5x5x7)/Cube 0: Measurement grid: dx=8mm, dy=8mm, dz=5mm
Reference Value = 22.5 V/m; Power Drift = 0.085 dB
Peak SAR (extrapolated) = 1.04 W/kg
SAR(1 g) = 0.594 mW/g; SAR(10 g) = 0.360 mW/g
Maximum value of SAR (measured) = 0.648 mW/g



Test Laboratory: HCT CO., LTD
EUT Type: USM Modem
GPRS Class 10 and GPRS mode class B(GPRS and GSM, but not simultaneously)
Liquid Temperature: 21.2 °C
Ambient Temperature: 21.4 °C
Test Date: May 07, 2009

DUT: UMW190; Type: Bar; Serial: #1

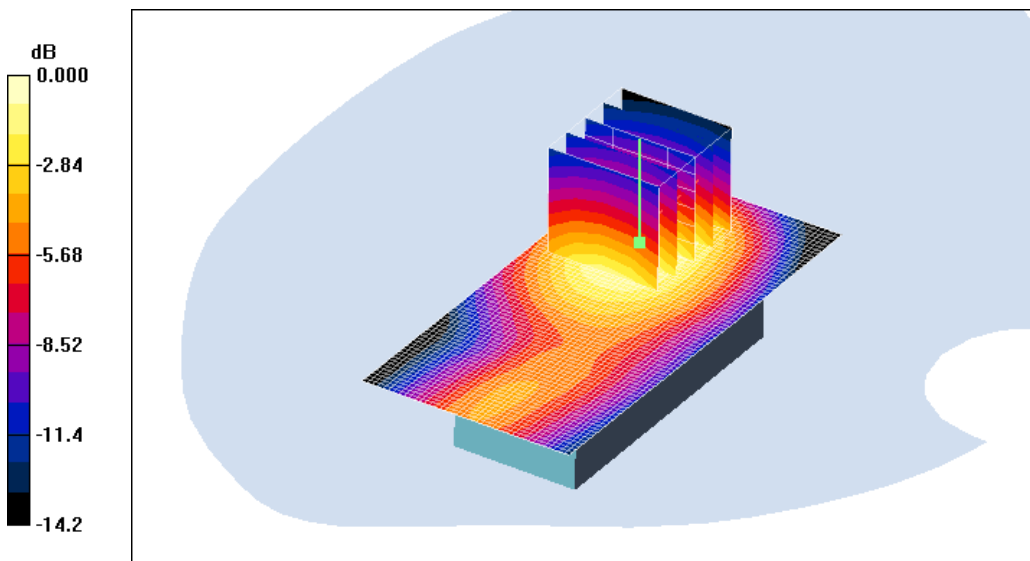
Communication System: GSM 850; Frequency: 824.2 MHz; Duty Cycle: 1:8.3
Medium parameters used: $f = 825$ MHz; $\sigma = 0.982$ mho/m; $\epsilon_r = 54.1$; $\rho = 1000$ kg/m³
Phantom section: Flat Section ; Measurement SW: DASY4, V4.7 Build 80; Postprocessing SW: SEMCAD, V1.8 Build 176

DASY4 Configuration:

- Probe: ET3DV6 - SN1609; ConvF(6.08, 6.08, 6.08); Calibrated: 2009-03-17
- Sensor-Surface: 4mm (Mechanical Surface Detection)
- Electronics: DAE4 Sn869; Calibrated: 2008-09-03
- Phantom: 835/900 Phantom ; Type: SAM

GSM850 128/Area Scan (41x81x1): Measurement grid: dx=15mm, dy=15mm
Maximum value of SAR (interpolated) = 0.678 mW/g

GSM850 128/Zoom Scan (5x5x7)/Cube 0: Measurement grid: dx=8mm, dy=8mm, dz=5mm
Reference Value = 23.2 V/m; Power Drift = -0.005 dB
Peak SAR (extrapolated) = 1.10 W/kg
SAR(1 g) = 0.623 mW/g; SAR(10 g) = 0.376 mW/g
Maximum value of SAR (measured) = 0.678 mW/g



0 dB = 0.678mW/g

Test Laboratory: HCT CO., LTD
EUT Type: USM Modem
GPRS Class 10 and GPRS mode class B(GPRS and GSM, but not simultaneously)
Liquid Temperature: 21.1 °C
Ambient Temperature: 21.3 °C
Test Date: May 08, 2009

DUT: UMW190; Type: Bar; Serial: #1

Communication System: GSM 1900; Frequency: 1880 MHz; Duty Cycle: 1:4.15
Medium parameters used: $f = 1880$ MHz; $\sigma = 1.5$ mho/m; $\epsilon_r = 52$; $\rho = 1000$ kg/m³
Phantom section: Flat Section ; Measurement SW: DASY4, V4.7 Build 80; Postprocessing SW: SEMCAD, V1.8 Build 176

DASY4 Configuration:

- Probe: ET3DV6 - SN1609; ConvF(4.61, 4.61, 4.61); Calibrated: 2009-03-17
- Sensor-Surface: 4mm (Mechanical Surface Detection)
- Electronics: DAE4 Sn869; Calibrated: 2008-09-03
- Phantom: 1800/1900 Phantom; Type: SAM

GSM1900 661/Area Scan (41x81x1): Measurement grid: dx=15mm, dy=15mm

Maximum value of SAR (interpolated) = 0.882 mW/g

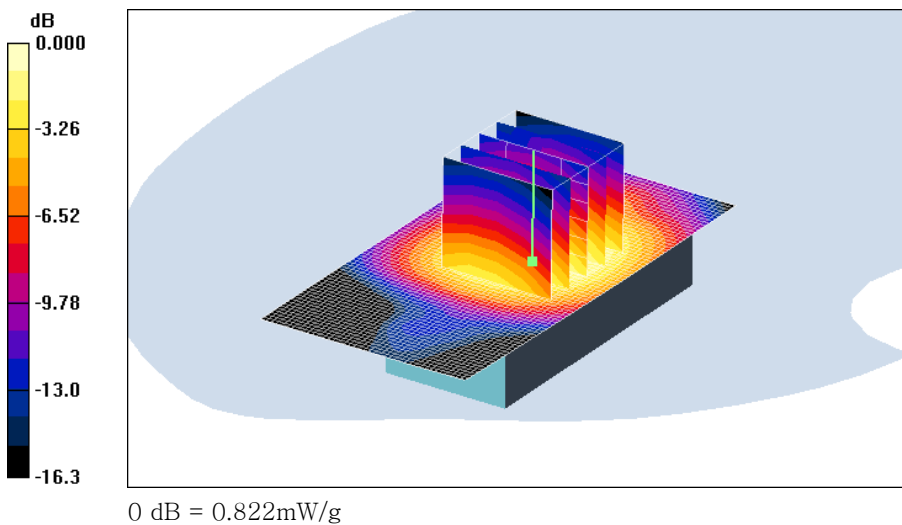
GSM1900 661/Zoom Scan (5x5x7)/Cube 0: Measurement grid: dx=8mm, dy=8mm, dz=5mm

Reference Value = 11.8 V/m; Power Drift = -0.024 dB

Peak SAR (extrapolated) = 0.959 W/kg

SAR(1 g) = 0.753 mW/g; SAR(10 g) = 0.470 mW/g

Maximum value of SAR (measured) = 0.822 mW/g



Test Laboratory: HCT CO., LTD
EUT Type: USM Modem
GPRS Class 10 and GPRS mode class B(GPRS and GSM, but not simultaneously)
Liquid Temperature: 21.1 °C
Ambient Temperature: 21.3 °C
Test Date: May 08, 2009

DUT: UMW190; Type: Bar; Serial: #1

Communication System: GSM 1900; Frequency: 1880 MHz; Duty Cycle: 1:4.15
Medium parameters used: $f = 1880$ MHz; $\sigma = 1.5$ mho/m; $\epsilon_r = 52$; $\rho = 1000$ kg/m³
Phantom section: Flat Section ; Measurement SW: DASY4, V4.7 Build 80; Postprocessing SW: SEMCAD, V1.8 Build 176

DASY4 Configuration:

- Probe: ET3DV6 - SN1609; ConvF(4.61, 4.61, 4.61); Calibrated: 2009-03-17
- Sensor-Surface: 4mm (Mechanical Surface Detection)
- Electronics: DAE4 Sn869; Calibrated: 2008-09-03
- Phantom: 1800/1900 Phantom; Type: SAM

GSM1900 661/Area Scan (41x71x1): Measurement grid: dx=15mm, dy=15mm

Maximum value of SAR (interpolated) = 0.822 mW/g

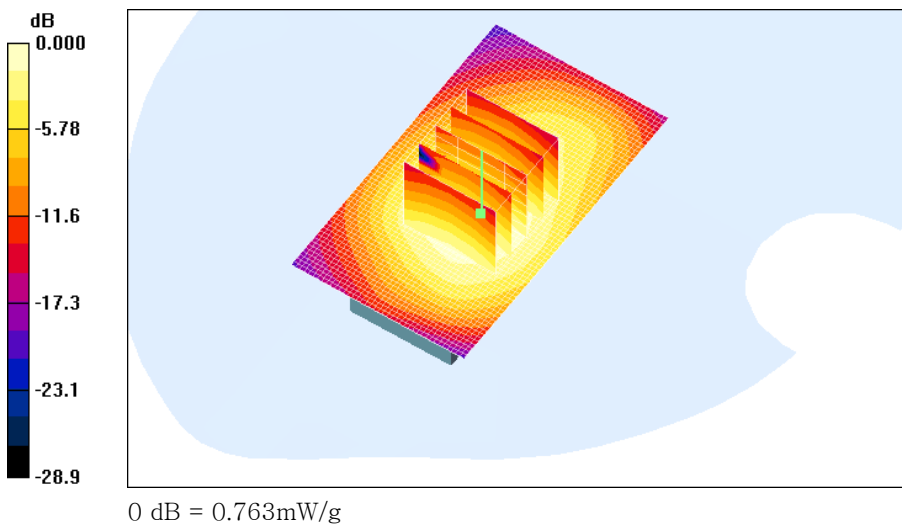
GSM1900 661/Zoom Scan (5x5x7)/Cube 0: Measurement grid: dx=8mm, dy=8mm, dz=5mm

Reference Value = 14.3 V/m; Power Drift = -0.179 dB

Peak SAR (extrapolated) = 0.908 W/kg

SAR(1 g) = 0.714 mW/g; SAR(10 g) = 0.461 mW/g

Maximum value of SAR (measured) = 0.763 mW/g



Test Laboratory: HCT CO., LTD
EUT Type: USM Modem
GPRS Class 10 and GPRS mode class B(GPRS and GSM, but not simultaneously)
Liquid Temperature: 21.1 °C
Ambient Temperature: 21.3 °C
Test Date: May 08, 2009

DUT: UMW190; Type: Bar; Serial: #1

Communication System: GSM 1900; Frequency: 1850.2 MHz; Duty Cycle: 1:4.15
Medium parameters used (interpolated): $f = 1850.2$ MHz; $\sigma = 1.47$ mho/m; $\epsilon_r = 52.2$; $\rho = 1000$ kg/m³
Phantom section: Flat Section ; Measurement SW: DASY4, V4.7 Build 80; Postprocessing SW: SEMCAD, V1.8 Build 176

DASY4 Configuration:

- Probe: ET3DV6 - SN1609; ConvF(4.61, 4.61, 4.61); Calibrated: 2009-03-17
- Sensor-Surface: 4mm (Mechanical Surface Detection)
- Electronics: DAE4 Sn869; Calibrated: 2008-09-03
- Phantom: 1800/1900 Phantom; Type: SAM

GSM1900 512/Area Scan (41x81x1): Measurement grid: dx=15mm, dy=15mm

[Info: Interpolated medium parameters used for SAR evaluation.](#)

Maximum value of SAR (interpolated) = 1.05 mW/g

GSM1900 512/Zoom Scan (5x5x7)/Cube 0: Measurement grid: dx=8mm, dy=8mm, dz=5mm

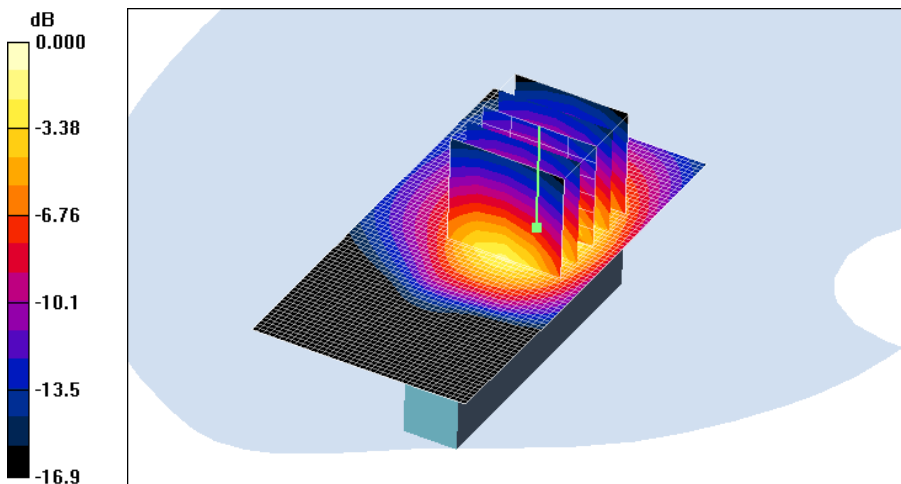
Reference Value = 10.9 V/m; Power Drift = 0.024 dB

Peak SAR (extrapolated) = 1.08 W/kg

SAR(1 g) = 0.821 mW/g; SAR(10 g) = 0.467 mW/g

[Info: Interpolated medium parameters used for SAR evaluation.](#)

Maximum value of SAR (measured) = 0.995 mW/g



Test Laboratory: HCT CO., LTD
EUT Type: USM Modem
GPRS Class 10 and GPRS mode class B(GPRS and GSM, but not simultaneously)
Liquid Temperature: 21.1 °C
Ambient Temperature: 21.3 °C
Test Date: May 08, 2009

DUT: UMW190; Type: Bar; Serial: #1

Communication System: GSM 1900; Frequency: 1880 MHz; Duty Cycle: 1:4.15
Medium parameters used: $f = 1880$ MHz; $\sigma = 1.5$ mho/m; $\epsilon_r = 52$; $\rho = 1000$ kg/m³
Phantom section: Flat Section ; Measurement SW: DASY4, V4.7 Build 80; Postprocessing SW: SEMCAD, V1.8 Build 176

DASY4 Configuration:

- Probe: ET3DV6 - SN1609; ConvF(4.61, 4.61, 4.61); Calibrated: 2009-03-17
- Sensor-Surface: 4mm (Mechanical Surface Detection)
- Electronics: DAE4 Sn869; Calibrated: 2008-09-03
- Phantom: 1800/1900 Phantom; Type: SAM

GSM1900 661/Area Scan (41x81x1): Measurement grid: dx=15mm, dy=15mm

Maximum value of SAR (interpolated) = 0.953 mW/g

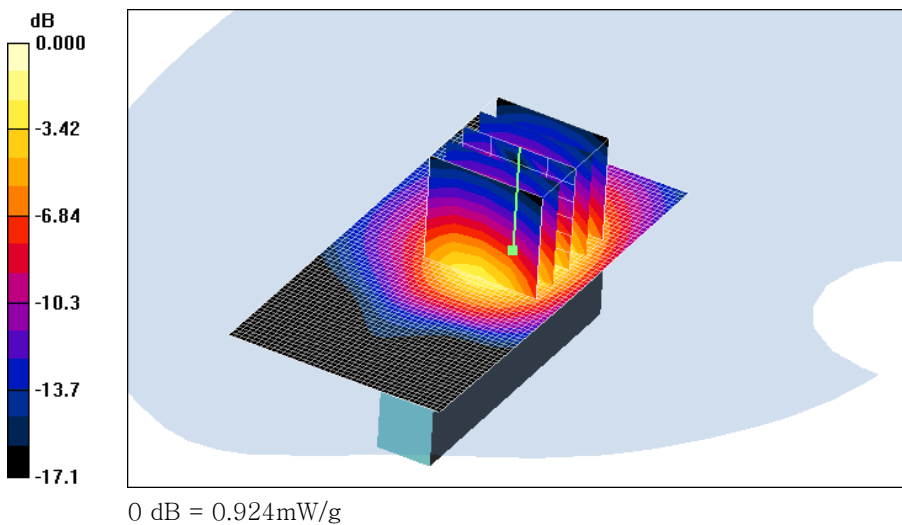
GSM1900 661/Zoom Scan (5x5x7)/Cube 0: Measurement grid: dx=8mm, dy=8mm, dz=5mm

Reference Value = 10.3 V/m; Power Drift = 0.037 dB

Peak SAR (extrapolated) = 1.16 W/kg

SAR(1 g) = 0.815 mW/g; SAR(10 g) = 0.459 mW/g

Maximum value of SAR (measured) = 0.924 mW/g



Test Laboratory: HCT CO., LTD
EUT Type: USM Modem
GPRS Class 10 and GPRS mode class B(GPRS and GSM, but not simultaneously)
Liquid Temperature: 21.1 °C
Ambient Temperature: 21.3 °C
Test Date: May 08, 2009

DUT: UMW190; Type: Bar; Serial: #1

Communication System: GSM 1900; Frequency: 1909.8 MHz; Duty Cycle: 1:4.15
Medium parameters used: $f = 1910$ MHz; $\sigma = 1.54$ mho/m; $\epsilon_r = 51.7$; $\rho = 1000$ kg/m³
Phantom section: Flat Section ; Measurement SW: DASY4, V4.7 Build 80; Postprocessing SW: SEMCAD, V1.8 Build 176

DASY4 Configuration:

- Probe: ET3DV6 - SN1609; ConvF(4.61, 4.61, 4.61); Calibrated: 2009-03-17
- Sensor-Surface: 4mm (Mechanical Surface Detection)
- Electronics: DAE4 Sn869; Calibrated: 2008-09-03
- Phantom: 1800/1900 Phantom; Type: SAM

GSM1900 810/Area Scan (41x81x1): Measurement grid: dx=15mm, dy=15mm

Maximum value of SAR (interpolated) = 0.836 mW/g

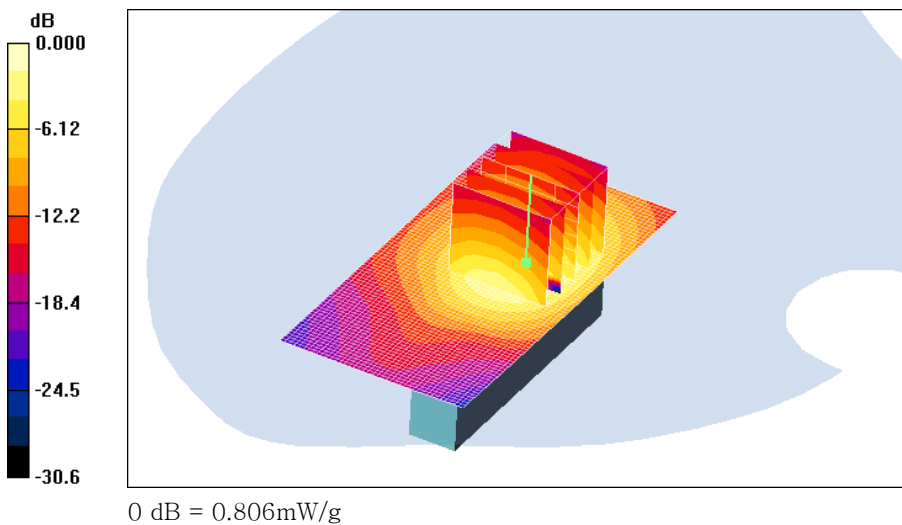
GSM1900 810/Zoom Scan (5x5x7)/Cube 0: Measurement grid: dx=8mm, dy=8mm, dz=5mm

Reference Value = 9.96 V/m; Power Drift = -0.082 dB

Peak SAR (extrapolated) = 1.11 W/kg

SAR(1 g) = 0.733 mW/g; SAR(10 g) = 0.399 mW/g

Maximum value of SAR (measured) = 0.806 mW/g



Test Laboratory: HCT CO., LTD
EUT Type: USM Modem
GPRS Class 10 and GPRS mode class B(GPRS and GSM, but not simultaneously)
Liquid Temperature: 21.1 °C
Ambient Temperature: 21.3 °C
Test Date: May 08, 2009

DUT: UMW190; Type: Bar; Serial: #1

Communication System: GSM 1900; Frequency: 1850.2 MHz; Duty Cycle: 1:4.15
Medium parameters used (interpolated): $f = 1850.2$ MHz; $\sigma = 1.47$ mho/m; $\epsilon_r = 52.2$; $\rho = 1000$ kg/m³
Phantom section: Flat Section ; Measurement SW: DASY4, V4.7 Build 80; Postprocessing SW: SEMCAD, V1.8 Build 176

DASY4 Configuration:

- Probe: ET3DV6 - SN1609; ConvF(4.61, 4.61, 4.61); Calibrated: 2009-03-17
- Sensor-Surface: 4mm (Mechanical Surface Detection)
- Electronics: DAE4 Sn869; Calibrated: 2008-09-03
- Phantom: 1800/1900 Phantom; Type: SAM

GSM1900 512/Area Scan (41x71x1): Measurement grid: dx=15mm, dy=15mm

[Info: Interpolated medium parameters used for SAR evaluation.](#)

Maximum value of SAR (interpolated) = 1.04 mW/g

GSM1900 512/Zoom Scan (5x5x7)/Cube 0: Measurement grid: dx=8mm, dy=8mm, dz=5mm

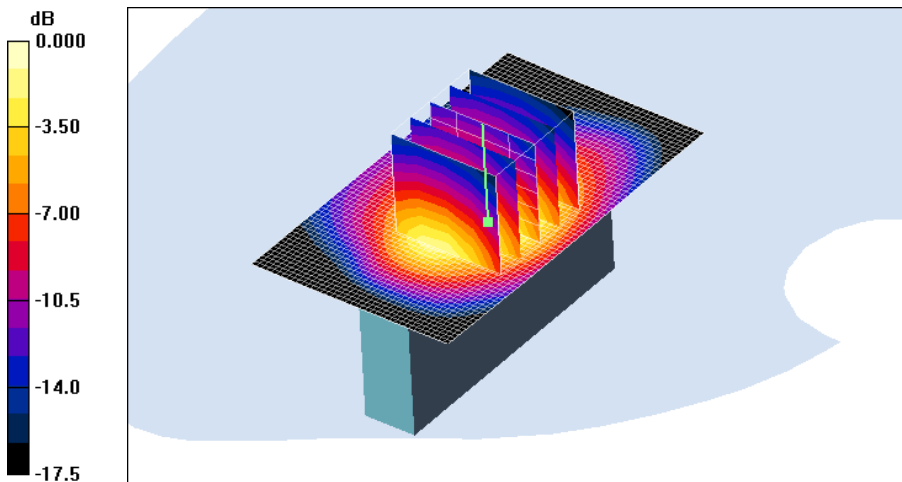
Reference Value = 8.63 V/m; Power Drift = -0.095 dB

Peak SAR (extrapolated) = 1.20 W/kg

SAR(1 g) = 0.893 mW/g; SAR(10 g) = 0.517 mW/g

[Info: Interpolated medium parameters used for SAR evaluation.](#)

Maximum value of SAR (measured) = 0.970 mW/g



Test Laboratory: HCT CO., LTD
EUT Type: USM Modem
GPRS Class 10 and GPRS mode class B(GPRS and GSM, but not simultaneously)
Liquid Temperature: 21.1 °C
Ambient Temperature: 21.3 °C
Test Date: May 08, 2009

DUT: UMW190; Type: Bar; Serial: #1

Communication System: GSM 1900; Frequency: 1880 MHz; Duty Cycle: 1:4.15
Medium parameters used: $f = 1880$ MHz; $\sigma = 1.5$ mho/m; $\epsilon_r = 52$; $\rho = 1000$ kg/m³
Phantom section: Flat Section ; Measurement SW: DASY4, V4.7 Build 80; Postprocessing SW: SEMCAD, V1.8 Build 176

DASY4 Configuration:

- Probe: ET3DV6 - SN1609; ConvF(4.61, 4.61, 4.61); Calibrated: 2009-03-17
- Sensor-Surface: 4mm (Mechanical Surface Detection)
- Electronics: DAE4 Sn869; Calibrated: 2008-09-03
- Phantom: 1800/1900 Phantom; Type: SAM

GSM1900 661/Area Scan (41x71x1): Measurement grid: dx=15mm, dy=15mm

Maximum value of SAR (interpolated) = 1.13 mW/g

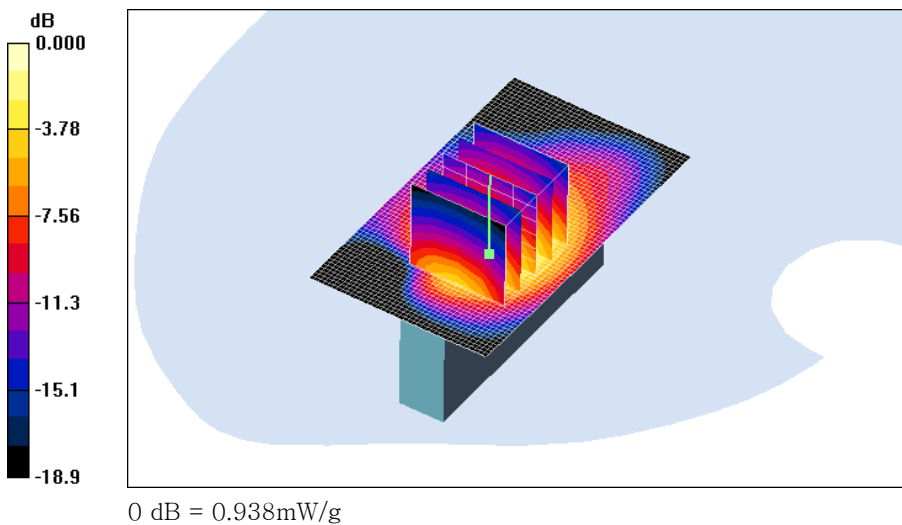
GSM1900 661/Zoom Scan (5x5x7)/Cube 0: Measurement grid: dx=8mm, dy=8mm, dz=5mm

Reference Value = 7.81 V/m; Power Drift = -0.108 dB

Peak SAR (extrapolated) = 1.18 W/kg

SAR(1 g) = 0.848 mW/g; SAR(10 g) = 0.482 mW/g

Maximum value of SAR (measured) = 0.938 mW/g



Test Laboratory: HCT CO., LTD
EUT Type: USM Modem
GPRS Class 10 and GPRS mode class B(GPRS and GSM, but not simultaneously)
Liquid Temperature: 21.1 °C
Ambient Temperature: 21.3 °C
Test Date: May 08, 2009

DUT: UMW190; Type: Bar; Serial: #1

Communication System: GSM 1900; Frequency: 1909.8 MHz; Duty Cycle: 1:4.15
Medium parameters used: $f = 1910$ MHz; $\sigma = 1.54$ mho/m; $\epsilon_r = 51.7$; $\rho = 1000$ kg/m³
Phantom section: Flat Section ; Measurement SW: DASY4, V4.7 Build 80; Postprocessing SW: SEMCAD, V1.8 Build 176

DASY4 Configuration:

- Probe: ET3DV6 - SN1609; ConvF(4.61, 4.61, 4.61); Calibrated: 2009-03-17
- Sensor-Surface: 4mm (Mechanical Surface Detection)
- Electronics: DAE4 Sn869; Calibrated: 2008-09-03
- Phantom: 1800/1900 Phantom; Type: SAM

GSM1900 810/Area Scan (41x71x1): Measurement grid: dx=15mm, dy=15mm

Maximum value of SAR (interpolated) = 0.990 mW/g

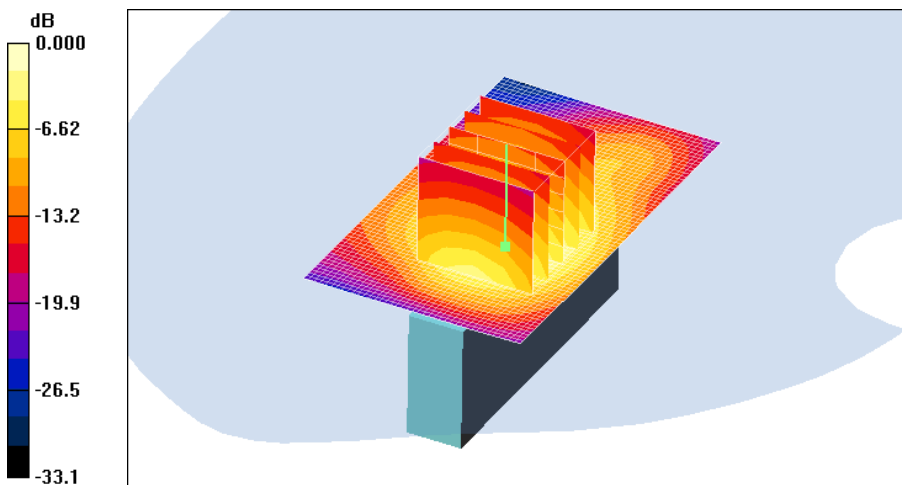
GSM1900 810/Zoom Scan (5x5x7)/Cube 0: Measurement grid: dx=8mm, dy=8mm, dz=5mm

Reference Value = 7.85 V/m; Power Drift = 0.066 dB

Peak SAR (extrapolated) = 1.21 W/kg

SAR(1 g) = 0.817 mW/g; SAR(10 g) = 0.434 mW/g

Maximum value of SAR (measured) = 0.877 mW/g



0 dB = 0.877mW/g

Test Laboratory: HCT CO., LTD
EUT Type: USM Modem
GPRS Class 10 and GPRS mode class B(GPRS and GSM, but not simultaneously)
Liquid Temperature: 21.1 °C
Ambient Temperature: 21.3 °C
Test Date: May 08, 2009

DUT: UMW190; Type: Bar; Serial: #1

Communication System: GSM 1900; Frequency: 1880 MHz; Duty Cycle: 1:4.15
Medium parameters used: $f = 1880$ MHz; $\sigma = 1.5$ mho/m; $\epsilon_r = 52$; $\rho = 1000$ kg/m³
Phantom section: Flat Section ; Measurement SW: DASY4, V4.7 Build 80; Postprocessing SW: SEMCAD, V1.8 Build 176

DASY4 Configuration:

- Probe: ET3DV6 - SN1609; ConvF(4.61, 4.61, 4.61); Calibrated: 2009-03-17
- Sensor-Surface: 4mm (Mechanical Surface Detection)
- Electronics: DAE4 Sn869; Calibrated: 2008-09-03
- Phantom: 1800/1900 Phantom; Type: SAM

GSM1900 661/Area Scan (41x41x1): Measurement grid: dx=15mm, dy=15mm

Maximum value of SAR (interpolated) = 0.163 mW/g

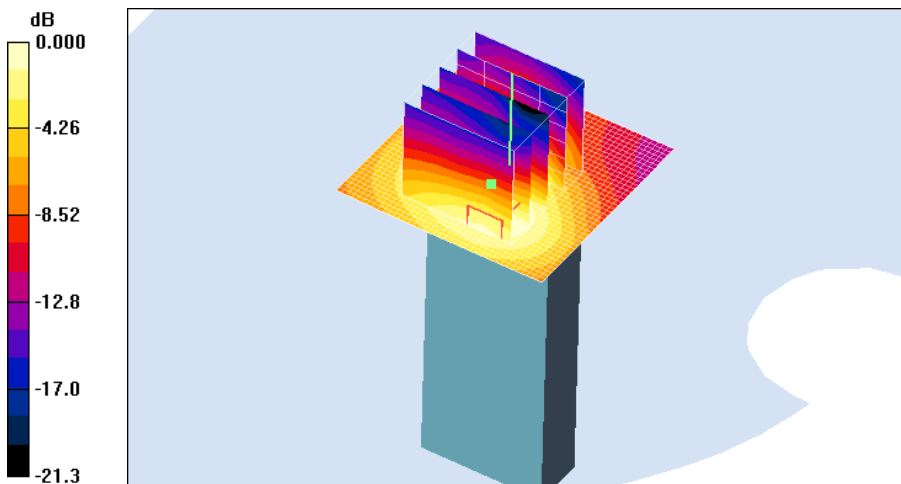
GSM1900 661/Zoom Scan (5x5x7)/Cube 0: Measurement grid: dx=8mm, dy=8mm, dz=5mm

Reference Value = 10.8 V/m; Power Drift = -0.115 dB

Peak SAR (extrapolated) = 0.216 W/kg

SAR(1 g) = 0.117 mW/g; SAR(10 g) = 0.059 mW/g

Maximum value of SAR (measured) = 0.141 mW/g



Test Laboratory: HCT CO., LTD
EUT Type: USM Modem
GPRS Class 10 and GPRS mode class B(GPRS and GSM, but not simultaneously)
Liquid Temperature: 21.1 °C
Ambient Temperature: 21.3 °C
Test Date: May 08, 2009

DUT: UMW190; Type: Bar; Serial: #1

Communication System: GSM 1900; Frequency: 1850.2 MHz; Duty Cycle: 1:8.3
Medium parameters used (interpolated): $f = 1850.2$ MHz; $\sigma = 1.47$ mho/m; $\epsilon_r = 52.2$; $\rho = 1000$ kg/m³
Phantom section: Flat Section ; Measurement SW: DASY4, V4.7 Build 80; Postprocessing SW: SEMCAD, V1.8 Build 176

DASY4 Configuration:

- Probe: ET3DV6 - SN1609; ConvF(4.61, 4.61, 4.61); Calibrated: 2009-03-17
- Sensor-Surface: 4mm (Mechanical Surface Detection)
- Electronics: DAE4 Sn869; Calibrated: 2008-09-03
- Phantom: 1800/1900 Phantom; Type: SAM

GSM1900 512/Area Scan (41x71x1): Measurement grid: dx=15mm, dy=15mm

[Info: Interpolated medium parameters used for SAR evaluation.](#)

Maximum value of SAR (interpolated) = 0.563 mW/g

GSM1900 512/Zoom Scan (5x5x7)/Cube 0: Measurement grid: dx=8mm, dy=8mm, dz=5mm

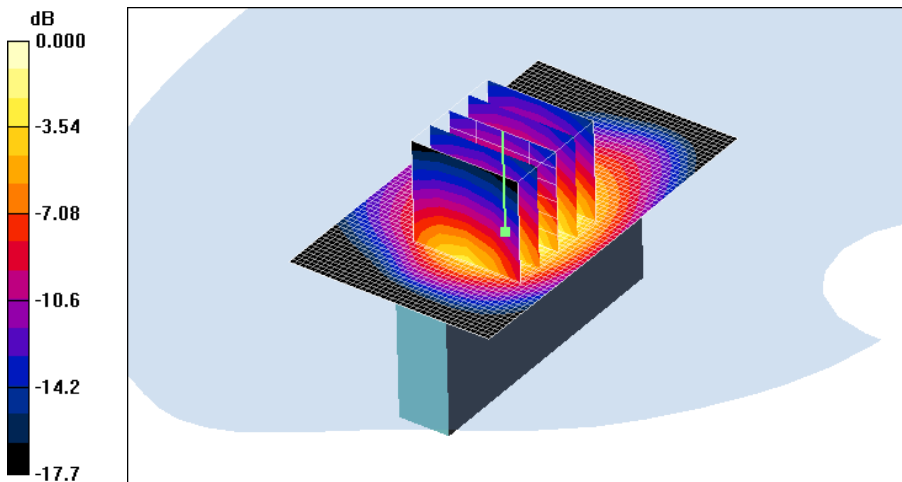
Reference Value = 6.15 V/m; Power Drift = 0.177 dB

Peak SAR (extrapolated) = 0.635 W/kg

SAR(1 g) = 0.468 mW/g; SAR(10 g) = 0.270 mW/g

[Info: Interpolated medium parameters used for SAR evaluation.](#)

Maximum value of SAR (measured) = 0.519 mW/g



Test Laboratory: HCT CO., LTD
EUT Type: USM Modem
GPRS Class 10 and GPRS mode class B(GPRS and GSM, but not simultaneously)
Liquid Temperature: 21.1 °C
Ambient Temperature: 21.3 °C
Test Date: May 08, 2009

DUT: UMW190; Type: Bar; Serial: #1

Communication System: GSM 1900; Frequency: 1850.2 MHz; Duty Cycle: 1:8.3
Medium parameters used (interpolated): $f = 1850.2$ MHz; $\sigma = 1.47$ mho/m; $\epsilon_r = 52.2$; $\rho = 1000$ kg/m³
Phantom section: Flat Section ; Measurement SW: DASY4, V4.7 Build 80; Postprocessing SW: SEMCAD, V1.8 Build 176

DASY4 Configuration:

- Probe: ET3DV6 - SN1609; ConvF(4.61, 4.61, 4.61); Calibrated: 2009-03-17
- Sensor-Surface: 4mm (Mechanical Surface Detection)
- Electronics: DAE4 Sn869; Calibrated: 2008-09-03
- Phantom: 1800/1900 Phantom; Type: SAM

GSM1900 512/Area Scan (41x71x1): Measurement grid: dx=15mm, dy=15mm

[Info: Interpolated medium parameters used for SAR evaluation.](#)

Maximum value of SAR (interpolated) = 0.597 mW/g

GSM1900 512/Zoom Scan (5x5x7)/Cube 0: Measurement grid: dx=8mm, dy=8mm, dz=5mm

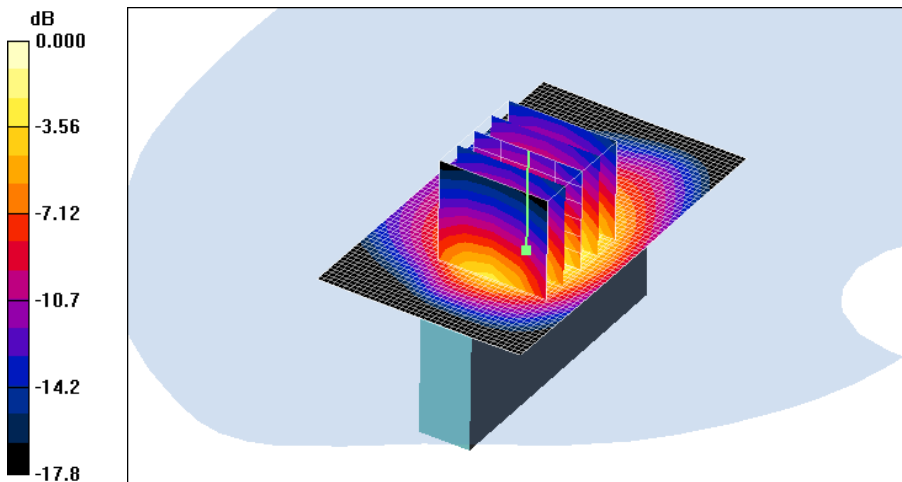
Reference Value = 6.41 V/m; Power Drift = 0.010 dB

Peak SAR (extrapolated) = 0.668 W/kg

SAR(1 g) = 0.492 mW/g; SAR(10 g) = 0.284 mW/g

[Info: Interpolated medium parameters used for SAR evaluation.](#)

Maximum value of SAR (measured) = 0.543 mW/g



Test Laboratory: HCT CO., LTD
EUT Type: USM Modem
GPRS Class 10 and GPRS mode class B(GPRS and GSM, but not simultaneously)
Liquid Temperature: 21.2 °C
Ambient Temperature: 21.4 °C
Test Date: May 07, 2009

DUT: UMW190; Type: Bar; Serial: #1

Communication System: WCDMA850; Frequency: 826.4 MHz; Duty Cycle: 1:1
Medium parameters used (interpolated): $f = 826.4$ MHz; $\sigma = 0.983$ mho/m; $\epsilon_r = 54.1$; $\rho = 1000$ kg/m³
Phantom section: Flat Section ; Measurement SW: DASY4, V4.7 Build 80; Postprocessing SW: SEMCAD, V1.8 Build 176

DASY4 Configuration:

- Probe: ET3DV6 - SN1609; ConvF(6.08, 6.08, 6.08); Calibrated: 2009-03-17
- Sensor-Surface: 4mm (Mechanical Surface Detection)
- Electronics: DAE4 Sn869; Calibrated: 2008-09-03
- Phantom: 835/900 Phantom ; Type: SAM

WCDMA850 4132/Area Scan (41x81x1): Measurement grid: dx=15mm, dy=15mm[Info: Interpolated medium parameters used for SAR evaluation.](#)

Maximum value of SAR (interpolated) = 1.03 mW/g

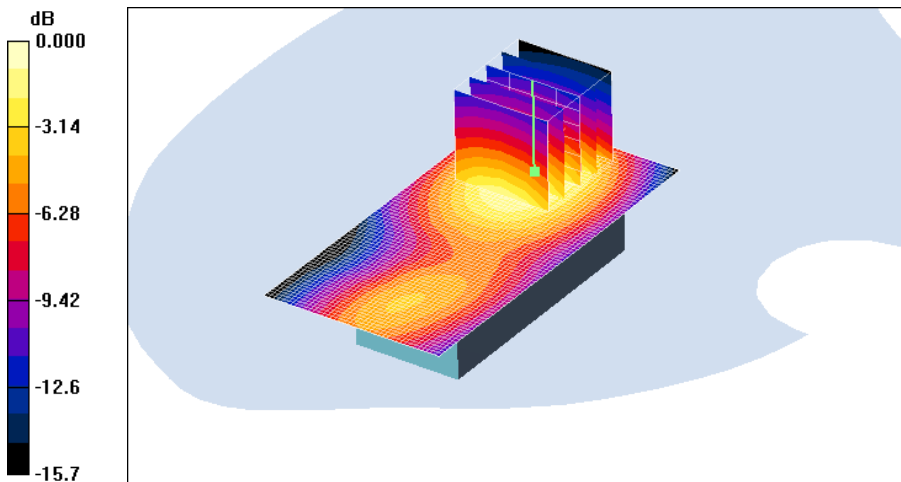
WCDMA850 4132/Zoom Scan (5x5x7)/Cube 0: Measurement grid: dx=8mm, dy=8mm, dz=5mm

Reference Value = 30.5 V/m; Power Drift = 0.036 dB

Peak SAR (extrapolated) = 1.85 W/kg

SAR(1 g) = 0.937 mW/g; SAR(10 g) = 0.543 mW/g[Info: Interpolated medium parameters used for SAR evaluation.](#)

Maximum value of SAR (measured) = 1.02 mW/g



Test Laboratory: HCT CO., LTD
EUT Type: USM Modem
GPRS Class 10 and GPRS mode class B(GPRS and GSM, but not simultaneously)
Liquid Temperature: 21.2 °C
Ambient Temperature: 21.4 °C
Test Date: May 07, 2009

DUT: UMW190; Type: Bar; Serial: #1

Communication System: WCDMA850; Frequency: 836.6 MHz; Duty Cycle: 1:1
Medium parameters used (interpolated): $f = 836.6$ MHz; $\sigma = 0.991$ mho/m; $\epsilon_r = 54$; $\rho = 1000$ kg/m³
Phantom section: Flat Section ; Measurement SW: DASY4, V4.7 Build 80; Postprocessing SW: SEMCAD, V1.8 Build 176

DASY4 Configuration:

- Probe: ET3DV6 - SN1609; ConvF(6.08, 6.08, 6.08); Calibrated: 2009-03-17
- Sensor-Surface: 4mm (Mechanical Surface Detection)
- Electronics: DAE4 Sn869; Calibrated: 2008-09-03
- Phantom: 835/900 Phantom ; Type: SAM

WCDMA850 4183/Area Scan (41x81x1): Measurement grid: dx=15mm, dy=15mm[Info: Interpolated medium parameters used for SAR evaluation.](#)

Maximum value of SAR (interpolated) = 1.12 mW/g

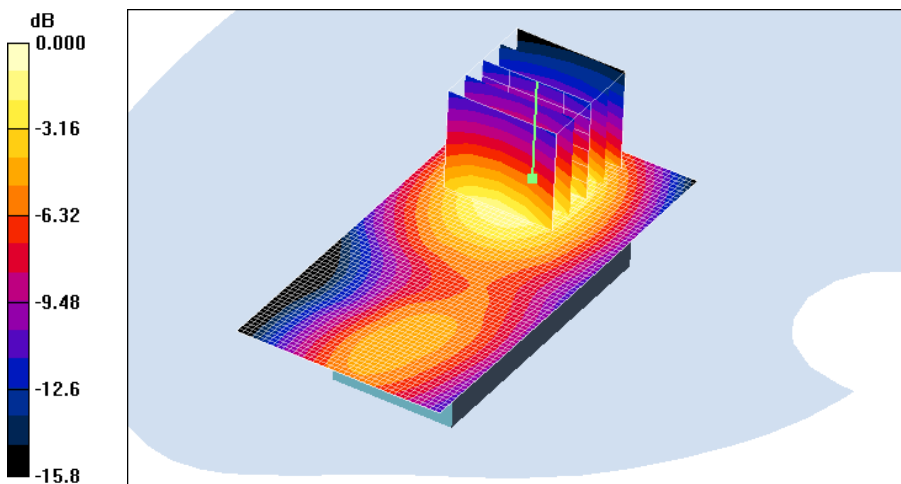
WCDMA850 4183/Zoom Scan (5x5x7)/Cube 0: Measurement grid: dx=8mm, dy=8mm, dz=5mm

Reference Value = 31.9 V/m; Power Drift = 0.102 dB

Peak SAR (extrapolated) = 2.05 W/kg

SAR(1 g) = 1.03 mW/g; SAR(10 g) = 0.595 mW/g[Info: Interpolated medium parameters used for SAR evaluation.](#)

Maximum value of SAR (measured) = 1.12 mW/g



0 dB = 1.12mW/g

Test Laboratory: HCT CO., LTD
EUT Type: USM Modem
GPRS Class 10 and GPRS mode class B(GPRS and GSM, but not simultaneously)
Liquid Temperature: 21.2 °C
Ambient Temperature: 21.4 °C
Test Date: May 07, 2009

DUT: UMW190; Type: Bar; Serial: #1

Communication System: WCDMA850; Frequency: 846.4 MHz; Duty Cycle: 1:1
Medium parameters used (interpolated): $f = 846.4$ MHz; $\sigma = 1$ mho/m; $\epsilon_r = 53.9$; $\rho = 1000$ kg/m³
Phantom section: Flat Section ; Measurement SW: DASY4, V4.7 Build 80; Postprocessing SW: SEMCAD, V1.8 Build 176

DASY4 Configuration:

- Probe: ET3DV6 - SN1609; ConvF(6.08, 6.08, 6.08); Calibrated: 2009-03-17
- Sensor-Surface: 4mm (Mechanical Surface Detection)
- Electronics: DAE4 Sn869; Calibrated: 2008-09-03
- Phantom: 835/900 Phantom ; Type: SAM

WCDMA850 4233/Area Scan (41x81x1): Measurement grid: dx=15mm, dy=15mm[Info: Interpolated medium parameters used for SAR evaluation.](#)

Maximum value of SAR (interpolated) = 1.12 mW/g

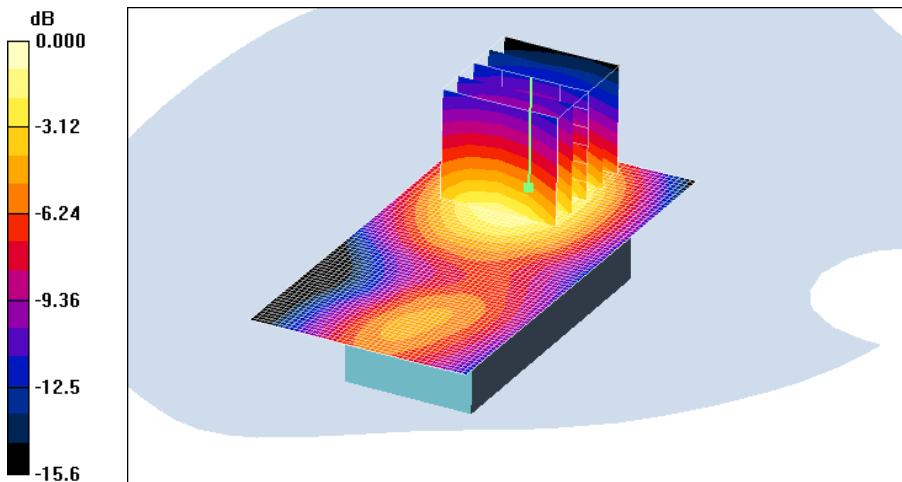
WCDMA850 4233/Zoom Scan (5x5x7)/Cube 0: Measurement grid: dx=8mm, dy=8mm, dz=5mm

Reference Value = 31.7 V/m; Power Drift = 0.011 dB

Peak SAR (extrapolated) = 2.00 W/kg

SAR(1 g) = 1.02 mW/g; SAR(10 g) = 0.589 mW/g[Info: Interpolated medium parameters used for SAR evaluation.](#)

Maximum value of SAR (measured) = 1.10 mW/g



Test Laboratory: HCT CO., LTD
EUT Type: USM Modem
GPRS Class 10 and GPRS mode class B(GPRS and GSM, but not simultaneously)
Liquid Temperature: 21.2 °C
Ambient Temperature: 21.4 °C
Test Date: May 07, 2009

DUT: UMW190; Type: Bar; Serial: #1

Communication System: WCDMA850; Frequency: 826.4 MHz; Duty Cycle: 1:1
Medium parameters used (interpolated): $f = 826.4$ MHz; $\sigma = 0.983$ mho/m; $\epsilon_r = 54.1$; $\rho = 1000$ kg/m³
Phantom section: Flat Section ; Measurement SW: DASY4, V4.7 Build 80; Postprocessing SW: SEMCAD, V1.8 Build 176

DASY4 Configuration:

- Probe: ET3DV6 - SN1609; ConvF(6.08, 6.08, 6.08); Calibrated: 2009-03-17
- Sensor-Surface: 4mm (Mechanical Surface Detection)
- Electronics: DAE4 Sn869; Calibrated: 2008-09-03
- Phantom: 835/900 Phantom ; Type: SAM

WCDMA850 4132/Area Scan (41x81x1): Measurement grid: dx=15mm, dy=15mm[Info: Interpolated medium parameters used for SAR evaluation.](#)

Maximum value of SAR (interpolated) = 0.807 mW/g

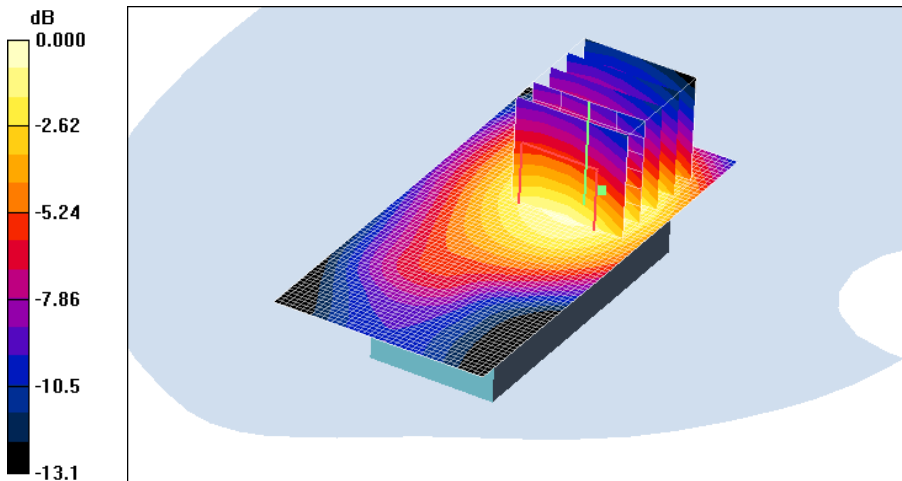
WCDMA850 4132/Zoom Scan (5x5x7)/Cube 0: Measurement grid: dx=8mm, dy=8mm, dz=5mm

Reference Value = 26.2 V/m; Power Drift = 0.072 dB

Peak SAR (extrapolated) = 1.10 W/kg

SAR(1 g) = 0.736 mW/g; SAR(10 g) = 0.487 mW/g

Maximum value of SAR (measured) = 0.791 mW/g



0 dB = 0.791mW/g

Test Laboratory: HCT CO., LTD
EUT Type: USM Modem
GPRS Class 10 and GPRS mode class B(GPRS and GSM, but not simultaneously)
Liquid Temperature: 21.2 °C
Ambient Temperature: 21.4 °C
Test Date: May 07, 2009

DUT: UMW190; Type: Bar; Serial: #1

Communication System: WCDMA850; Frequency: 836.6 MHz; Duty Cycle: 1:1
Medium parameters used (interpolated): $f = 836.6$ MHz; $\sigma = 0.991$ mho/m; $\epsilon_r = 54$; $\rho = 1000$ kg/m³
Phantom section: Flat Section ; Measurement SW: DASY4, V4.7 Build 80; Postprocessing SW: SEMCAD, V1.8 Build 176

DASY4 Configuration:

- Probe: ET3DV6 - SN1609; ConvF(6.08, 6.08, 6.08); Calibrated: 2009-03-17
- Sensor-Surface: 4mm (Mechanical Surface Detection)
- Electronics: DAE4 Sn869; Calibrated: 2008-09-03
- Phantom: 835/900 Phantom ; Type: SAM

WCDMA850 4183/Area Scan (41x81x1): Measurement grid: dx=15mm, dy=15mm[Info: Interpolated medium parameters used for SAR evaluation.](#)

Maximum value of SAR (interpolated) = 0.908 mW/g

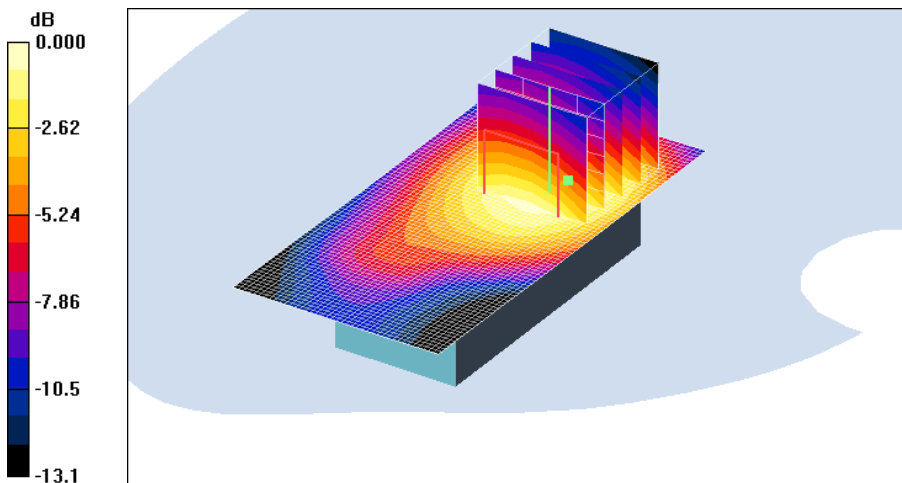
WCDMA850 4183/Zoom Scan (5x5x7)/Cube 0: Measurement grid: dx=8mm, dy=8mm, dz=5mm

Reference Value = 27.8 V/m; Power Drift = 0.026 dB

Peak SAR (extrapolated) = 1.22 W/kg

SAR(1 g) = 0.823 mW/g; SAR(10 g) = 0.545 mW/g

Maximum value of SAR (measured) = 0.881 mW/g



Test Laboratory: HCT CO., LTD
EUT Type: USM Modem
GPRS Class 10 and GPRS mode class B(GPRS and GSM, but not simultaneously)
Liquid Temperature: 21.2 °C
Ambient Temperature: 21.4 °C
Test Date: May 07, 2009

DUT: UMW190; Type: Bar; Serial: #1

Communication System: WCDMA850; Frequency: 846.4 MHz; Duty Cycle: 1:1
Medium parameters used (interpolated): $f = 846.4$ MHz; $\sigma = 1$ mho/m; $\epsilon_r = 53.9$; $\rho = 1000$ kg/m³
Phantom section: Flat Section ; Measurement SW: DASY4, V4.7 Build 80; Postprocessing SW: SEMCAD, V1.8 Build 176

DASY4 Configuration:

- Probe: ET3DV6 - SN1609; ConvF(6.08, 6.08, 6.08); Calibrated: 2009-03-17
- Sensor-Surface: 4mm (Mechanical Surface Detection)
- Electronics: DAE4 Sn869; Calibrated: 2008-09-03
- Phantom: 835/900 Phantom ; Type: SAM

WCDMA850 4233/Area Scan (41x81x1): Measurement grid: dx=15mm, dy=15mm[Info: Interpolated medium parameters used for SAR evaluation.](#)

Maximum value of SAR (interpolated) = 0.834 mW/g

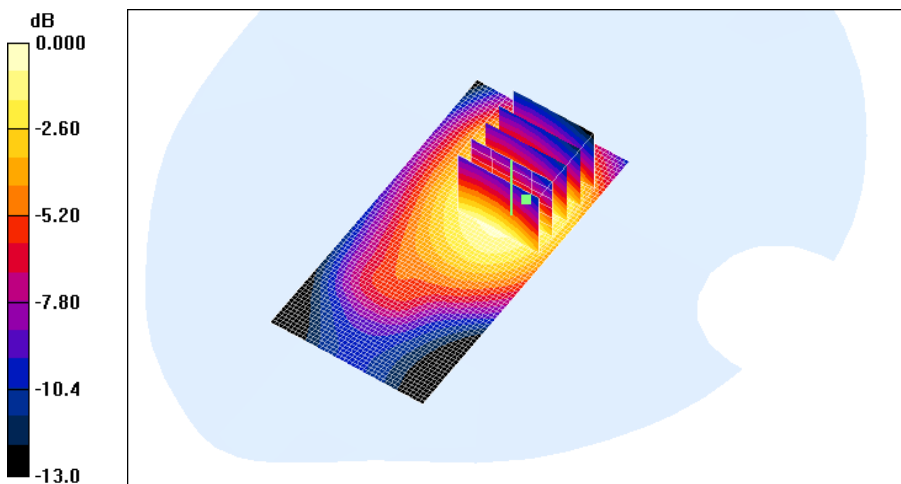
WCDMA850 4233/Zoom Scan (5x5x7)/Cube 0: Measurement grid: dx=8mm, dy=8mm, dz=5mm

Reference Value = 26.4 V/m; Power Drift = 0.069 dB

Peak SAR (extrapolated) = 1.12 W/kg

SAR(1 g) = 0.761 mW/g; SAR(10 g) = 0.504 mW/g[Info: Interpolated medium parameters used for SAR evaluation.](#)

Maximum value of SAR (measured) = 0.791 mW/g



0 dB = 0.791mW/g

Test Laboratory: HCT CO., LTD
EUT Type: USM Modem
GPRS Class 10 and GPRS mode class B(GPRS and GSM, but not simultaneously)
Liquid Temperature: 21.2 °C
Ambient Temperature: 21.4 °C
Test Date: May 07, 2009

DUT: UMW190; Type: Bar; Serial: #1

Communication System: WCDMA850; Frequency: 836.6 MHz; Duty Cycle: 1:1
Medium parameters used (interpolated): $f = 836.6$ MHz; $\sigma = 0.991$ mho/m; $\epsilon_r = 54$; $\rho = 1000$ kg/m³
Phantom section: Flat Section ; Measurement SW: DASY4, V4.7 Build 80; Postprocessing SW: SEMCAD, V1.8 Build 176

DASY4 Configuration:

- Probe: ET3DV6 - SN1609; ConvF(6.08, 6.08, 6.08); Calibrated: 2009-03-17
- Sensor-Surface: 4mm (Mechanical Surface Detection)
- Electronics: DAE4 Sn869; Calibrated: 2008-09-03
- Phantom: 835/900 Phantom ; Type: SAM

WCDMA850 4183/Area Scan (41x71x1): Measurement grid: dx=15mm, dy=15mm[Info: Interpolated medium parameters used for SAR evaluation.](#)

Maximum value of SAR (interpolated) = 0.526 mW/g

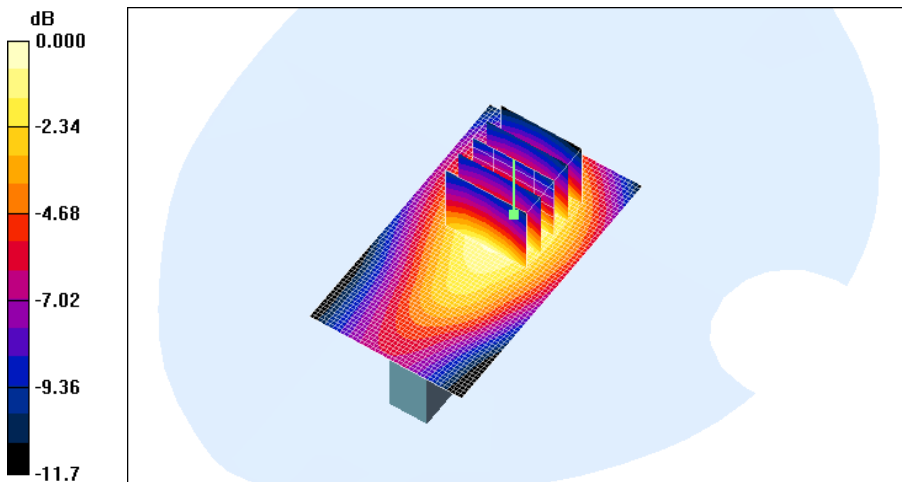
WCDMA850 4183/Zoom Scan (5x5x7)/Cube 0: Measurement grid: dx=8mm, dy=8mm, dz=5mm

Reference Value = 22.2 V/m; Power Drift = 0.007 dB

Peak SAR (extrapolated) = 0.727 W/kg

SAR(1 g) = 0.486 mW/g; SAR(10 g) = 0.318 mW/g[Info: Interpolated medium parameters used for SAR evaluation.](#)

Maximum value of SAR (measured) = 0.525 mW/g



Test Laboratory: HCT CO., LTD
EUT Type: USM Modem
GPRS Class 10 and GPRS mode class B(GPRS and GSM, but not simultaneously)
Liquid Temperature: 21.2 °C
Ambient Temperature: 21.4 °C
Test Date: May 07, 2009

DUT: UMW190; Type: Bar; Serial: #1

Communication System: WCDMA850; Frequency: 836.6 MHz; Duty Cycle: 1:1
Medium parameters used (interpolated): $f = 836.6$ MHz; $\sigma = 0.991$ mho/m; $\epsilon_r = 54$; $\rho = 1000$ kg/m³
Phantom section: Flat Section ; Measurement SW: DASY4, V4.7 Build 80; Postprocessing SW: SEMCAD, V1.8 Build 176

DASY4 Configuration:

- Probe: ET3DV6 - SN1609; ConvF(6.08, 6.08, 6.08); Calibrated: 2009-03-17
- Sensor-Surface: 4mm (Mechanical Surface Detection)
- Electronics: DAE4 Sn869; Calibrated: 2008-09-03
- Phantom: 835/900 Phantom ; Type: SAM

WCDMA850 4183/Area Scan (41x71x1): Measurement grid: dx=15mm, dy=15mm[Info: Interpolated medium parameters used for SAR evaluation.](#)

Maximum value of SAR (interpolated) = 0.744 mW/g

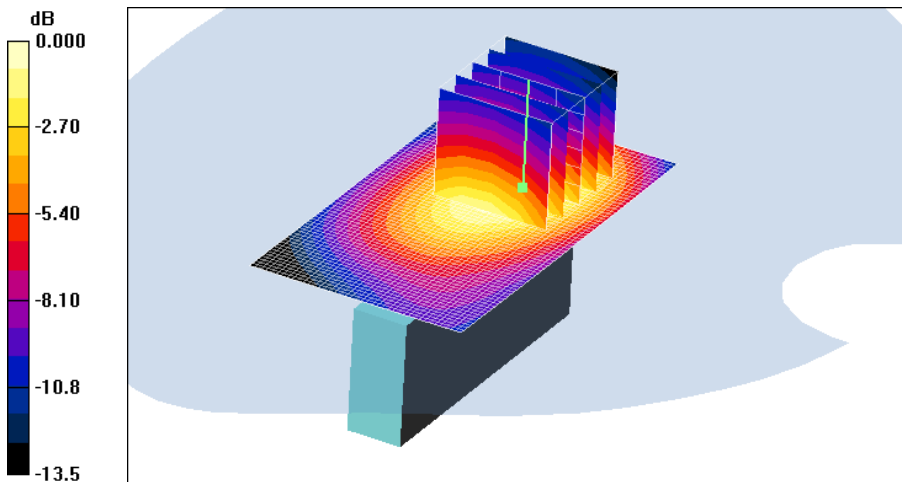
WCDMA850 4183/Zoom Scan (5x5x7)/Cube 0: Measurement grid: dx=8mm, dy=8mm, dz=5mm

Reference Value = 25.3 V/m; Power Drift = -0.107 dB

Peak SAR (extrapolated) = 1.06 W/kg

SAR(1 g) = 0.670 mW/g; SAR(10 g) = 0.416 mW/g[Info: Interpolated medium parameters used for SAR evaluation.](#)

Maximum value of SAR (measured) = 0.727 mW/g



Test Laboratory: HCT CO., LTD
EUT Type: USM Modem
GPRS Class 10 and GPRS mode class B(GPRS and GSM, but not simultaneously)
Liquid Temperature: 21.2 °C
Ambient Temperature: 21.4 °C
Test Date: May 07, 2009

DUT: UMW190; Type: Bar; Serial: #1

Communication System: WCDMA850; Frequency: 836.6 MHz; Duty Cycle: 1:1
Medium parameters used (interpolated): $f = 836.6$ MHz; $\sigma = 0.991$ mho/m; $\epsilon_r = 54$; $\rho = 1000$ kg/m³
Phantom section: Flat Section ; Measurement SW: DASY4, V4.7 Build 80; Postprocessing SW: SEMCAD, V1.8 Build 176

DASY4 Configuration:

- Probe: ET3DV6 - SN1609; ConvF(6.08, 6.08, 6.08); Calibrated: 2009-03-17
- Sensor-Surface: 4mm (Mechanical Surface Detection)
- Electronics: DAE4 Sn869; Calibrated: 2008-09-03
- Phantom: 835/900 Phantom ; Type: SAM

WCDMA850 4183/Area Scan (41x41x1): Measurement grid: dx=15mm, dy=15mm[Info: Interpolated medium parameters used for SAR evaluation.](#)

Maximum value of SAR (interpolated) = 0.407 mW/g

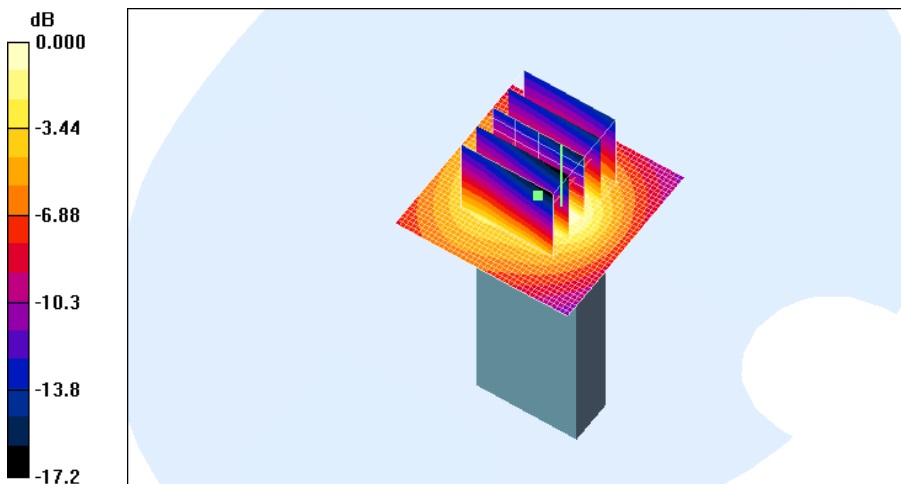
WCDMA850 4183/Zoom Scan (5x5x7)/Cube 0: Measurement grid: dx=8mm, dy=8mm, dz=5mm

Reference Value = 21.0 V/m; Power Drift = -0.128 dB

Peak SAR (extrapolated) = 1.19 W/kg

SAR(1 g) = 0.414 mW/g; SAR(10 g) = 0.202 mW/g[Info: Interpolated medium parameters used for SAR evaluation.](#)

Maximum value of SAR (measured) = 0.432 mW/g



0 dB = 0.432mW/g

Test Laboratory: HCT CO., LTD
EUT Type: USM Modem
GPRS Class 10 and GPRS mode class B(GPRS and GSM, but not simultaneously)
Liquid Temperature: 21.1 °C
Ambient Temperature: 21.3 °C
Test Date: May 08, 2009

DUT: UMW190; Type: Bar; Serial: #1

Communication System: WCDMA1900(FCC); Frequency: 1880 MHz; Duty Cycle: 1:1
Medium parameters used: $f = 1880$ MHz; $\sigma = 1.5$ mho/m; $\epsilon_r = 52$; $\rho = 1000$ kg/m³
Phantom section: Flat Section ; Measurement SW: DASY4, V4.7 Build 80; Postprocessing SW: SEMCAD, V1.8 Build 176

DASY4 Configuration:

- Probe: ET3DV6 - SN1609; ConvF(4.61, 4.61, 4.61); Calibrated: 2009-03-17
- Sensor-Surface: 4mm (Mechanical Surface Detection)
- Electronics: DAE4 Sn869; Calibrated: 2008-09-03
- Phantom: 1800/1900 Phantom; Type: SAM

WCDMA 9400/Area Scan (41x71x1): Measurement grid: dx=15mm, dy=15mm

Maximum value of SAR (interpolated) = 0.927 mW/g

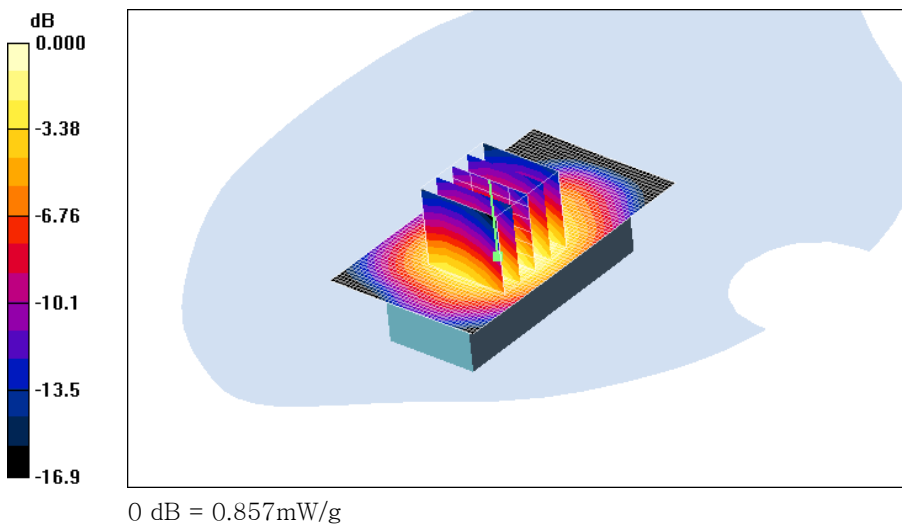
WCDMA 9400/Zoom Scan (5x5x7)/Cube 0: Measurement grid: dx=8mm, dy=8mm, dz=5mm

Reference Value = 11.2 V/m; Power Drift = 0.109 dB

Peak SAR (extrapolated) = 1.01 W/kg

SAR(1 g) = 0.798 mW/g; SAR(10 g) = 0.499 mW/g

Maximum value of SAR (measured) = 0.857 mW/g



Test Laboratory: HCT CO., LTD
EUT Type: USM Modem
GPRS Class 10 and GPRS mode class B(GPRS and GSM, but not simultaneously)
Liquid Temperature: 21.1 °C
Ambient Temperature: 21.3 °C
Test Date: May 08, 2009

DUT: UMW190; Type: Bar; Serial: #1

Communication System: WCDMA1900(FCC); Frequency: 1852.4 MHz; Duty Cycle: 1:1
Medium parameters used (interpolated): $f = 1852.4$ MHz; $\sigma = 1.47$ mho/m; $\epsilon_r = 52.2$; $\rho = 1000$ kg/m³
Phantom section: Flat Section ; Measurement SW: DASY4, V4.7 Build 80; Postprocessing SW: SEMCAD, V1.8 Build 176

DASY4 Configuration:

- Probe: ET3DV6 - SN1609; ConvF(4.61, 4.61, 4.61); Calibrated: 2009-03-17
- Sensor-Surface: 4mm (Mechanical Surface Detection)
- Electronics: DAE4 Sn869; Calibrated: 2008-09-03
- Phantom: 1800/1900 Phantom; Type: SAM

WCDMA 9262/Area Scan (41x71x1): Measurement grid: dx=15mm, dy=15mm[Info: Interpolated medium parameters used for SAR evaluation.](#)

Maximum value of SAR (interpolated) = 0.859 mW/g

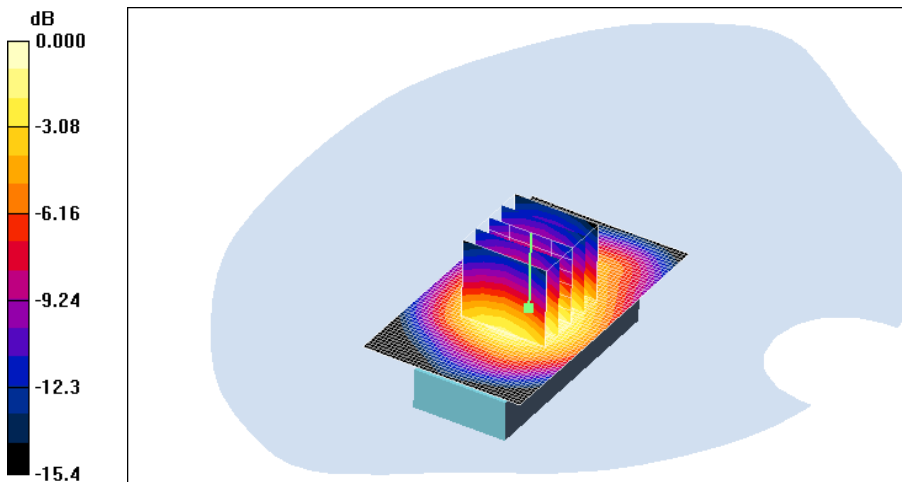
WCDMA 9262/Zoom Scan (5x5x7)/Cube 0: Measurement grid: dx=8mm, dy=8mm, dz=5mm

Reference Value = 14.5 V/m; Power Drift = 0.062 dB

Peak SAR (extrapolated) = 0.926 W/kg

SAR(1 g) = 0.764 mW/g; SAR(10 g) = 0.493 mW/g[Info: Interpolated medium parameters used for SAR evaluation.](#)

Maximum value of SAR (measured) = 0.828 mW/g



Test Laboratory: HCT CO., LTD
EUT Type: USM Modem
GPRS Class 10 and GPRS mode class B(GPRS and GSM, but not simultaneously)
Liquid Temperature: 21.1 °C
Ambient Temperature: 21.3 °C
Test Date: May 08, 2009

DUT: UMW190; Type: Bar; Serial: #1

Communication System: WCDMA1900(FCC); Frequency: 1880 MHz; Duty Cycle: 1:1
Medium parameters used: $f = 1880$ MHz; $\sigma = 1.5$ mho/m; $\epsilon_r = 52$; $\rho = 1000$ kg/m³
Phantom section: Flat Section ; Measurement SW: DASY4, V4.7 Build 80; Postprocessing SW: SEMCAD, V1.8 Build 176

DASY4 Configuration:

- Probe: ET3DV6 - SN1609; ConvF(4.61, 4.61, 4.61); Calibrated: 2009-03-17
- Sensor-Surface: 4mm (Mechanical Surface Detection)
- Electronics: DAE4 Sn869; Calibrated: 2008-09-03
- Phantom: 1800/1900 Phantom; Type: SAM

WCDMA 9400/Area Scan (41x71x1): Measurement grid: dx=15mm, dy=15mm

Maximum value of SAR (interpolated) = 0.931 mW/g

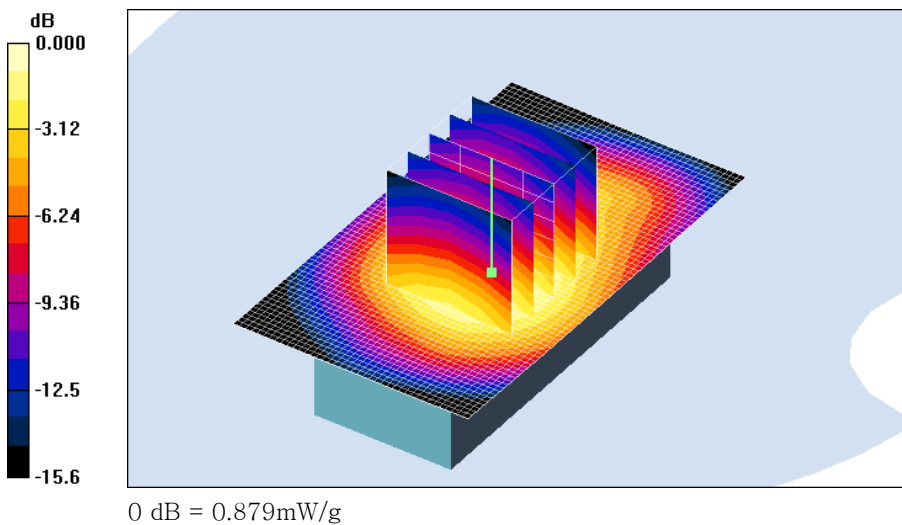
WCDMA 9400/Zoom Scan (5x5x7)/Cube 0: Measurement grid: dx=8mm, dy=8mm, dz=5mm

Reference Value = 15.6 V/m; Power Drift = 0.019 dB

Peak SAR (extrapolated) = 1.02 W/kg

SAR(1 g) = 0.828 mW/g; SAR(10 g) = 0.536 mW/g

Maximum value of SAR (measured) = 0.879 mW/g



Test Laboratory: HCT CO., LTD
EUT Type: USM Modem
GPRS Class 10 and GPRS mode class B(GPRS and GSM, but not simultaneously)
Liquid Temperature: 21.1 °C
Ambient Temperature: 21.3 °C
Test Date: May 08, 2009

DUT: UMW190; Type: Bar; Serial: #1

Communication System: WCDMA1900(FCC); Frequency: 1907.6 MHz; Duty Cycle: 1:1
Medium parameters used (interpolated): $f = 1907.6$ MHz; $\sigma = 1.53$ mho/m; $\epsilon_r = 51.7$; $\rho = 1000$ kg/m³
Phantom section: Flat Section ; Measurement SW: DASY4, V4.7 Build 80; Postprocessing SW: SEMCAD, V1.8 Build 176

DASY4 Configuration:

- Probe: ET3DV6 - SN1609; ConvF(4.61, 4.61, 4.61); Calibrated: 2009-03-17
- Sensor-Surface: 4mm (Mechanical Surface Detection)
- Electronics: DAE4 Sn869; Calibrated: 2008-09-03
- Phantom: 1800/1900 Phantom; Type: SAM

WCDMA 9538/Area Scan (41x71x1): Measurement grid: dx=15mm, dy=15mm[Info: Interpolated medium parameters used for SAR evaluation.](#)

Maximum value of SAR (interpolated) = 0.810 mW/g

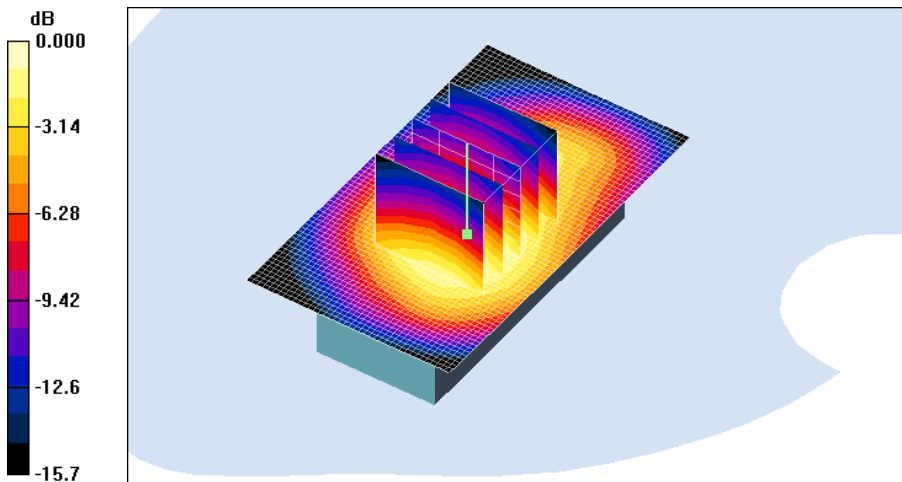
WCDMA 9538/Zoom Scan (5x5x7)/Cube 0: Measurement grid: dx=8mm, dy=8mm, dz=5mm

Reference Value = 15.9 V/m; Power Drift = -0.022 dB

Peak SAR (extrapolated) = 0.871 W/kg

SAR(1 g) = 0.714 mW/g; SAR(10 g) = 0.468 mW/g[Info: Interpolated medium parameters used for SAR evaluation.](#)

Maximum value of SAR (measured) = 0.771 mW/g



Test Laboratory: HCT CO., LTD
EUT Type: USM Modem
GPRS Class 10 and GPRS mode class B(GPRS and GSM, but not simultaneously)
Liquid Temperature: 21.1 °C
Ambient Temperature: 21.3 °C
Test Date: May 08, 2009

DUT: UMW190; Type: Bar; Serial: #1

Communication System: WCDMA1900(FCC); Frequency: 1852.4 MHz; Duty Cycle: 1:1
Medium parameters used (interpolated): $f = 1852.4$ MHz; $\sigma = 1.47$ mho/m; $\epsilon_r = 52.2$; $\rho = 1000$ kg/m³
Phantom section: Flat Section ; Measurement SW: DASY4, V4.7 Build 80; Postprocessing SW: SEMCAD, V1.8 Build 176

DASY4 Configuration:

- Probe: ET3DV6 - SN1609; ConvF(4.61, 4.61, 4.61); Calibrated: 2009-03-17
- Sensor-Surface: 4mm (Mechanical Surface Detection)
- Electronics: DAE4 Sn869; Calibrated: 2008-09-03
- Phantom: 1800/1900 Phantom; Type: SAM

WCDMA Body 9262/Area Scan (41x81x1): Measurement grid: dx=15mm, dy=15mm[Info: Interpolated medium parameters used for SAR evaluation.](#)

Maximum value of SAR (interpolated) = 0.965 mW/g

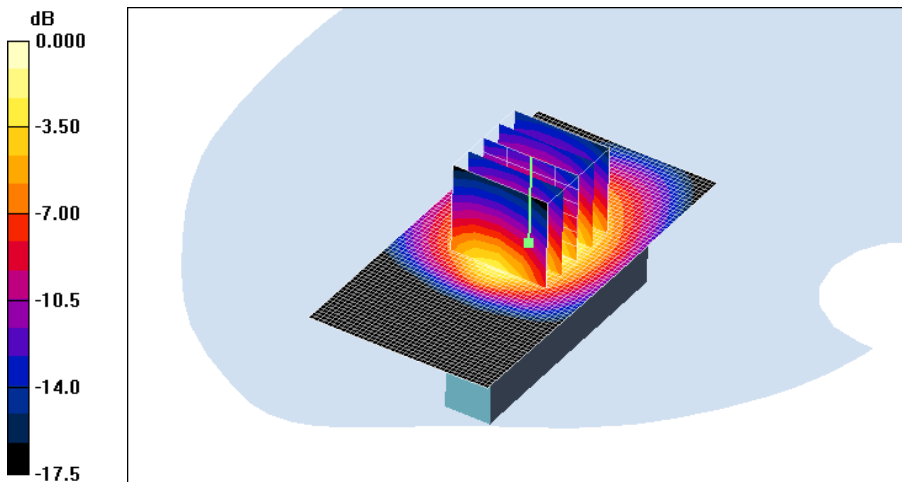
WCDMA Body 9262/Zoom Scan (5x5x7)/Cube 0: Measurement grid: dx=8mm, dy=8mm, dz=5mm

Reference Value = 8.26 V/m; Power Drift = -0.147 dB

Peak SAR (extrapolated) = 1.08 W/kg

SAR(1 g) = 0.790 mW/g; SAR(10 g) = 0.455 mW/g[Info: Interpolated medium parameters used for SAR evaluation.](#)

Maximum value of SAR (measured) = 0.884 mW/g



Test Laboratory: HCT CO., LTD
EUT Type: USM Modem
GPRS Class 10 and GPRS mode class B(GPRS and GSM, but not simultaneously)
Liquid Temperature: 21.1 °C
Ambient Temperature: 21.3 °C
Test Date: May 08, 2009

DUT: UMW190; Type: Bar; Serial: #1

Communication System: WCDMA1900(FCC); Frequency: 1880 MHz; Duty Cycle: 1:1
Medium parameters used: $f = 1880$ MHz; $\sigma = 1.5$ mho/m; $\epsilon_r = 52$; $\rho = 1000$ kg/m³
Phantom section: Flat Section ; Measurement SW: DASY4, V4.7 Build 80; Postprocessing SW: SEMCAD, V1.8 Build 176

DASY4 Configuration:

- Probe: ET3DV6 - SN1609; ConvF(4.61, 4.61, 4.61); Calibrated: 2009-03-17
- Sensor-Surface: 4mm (Mechanical Surface Detection)
- Electronics: DAE4 Sn869; Calibrated: 2008-09-03
- Phantom: 1800/1900 Phantom; Type: SAM

WCDMA Body 9400/Area Scan (41x81x1): Measurement grid: dx=15mm, dy=15mm

Maximum value of SAR (interpolated) = 0.987 mW/g

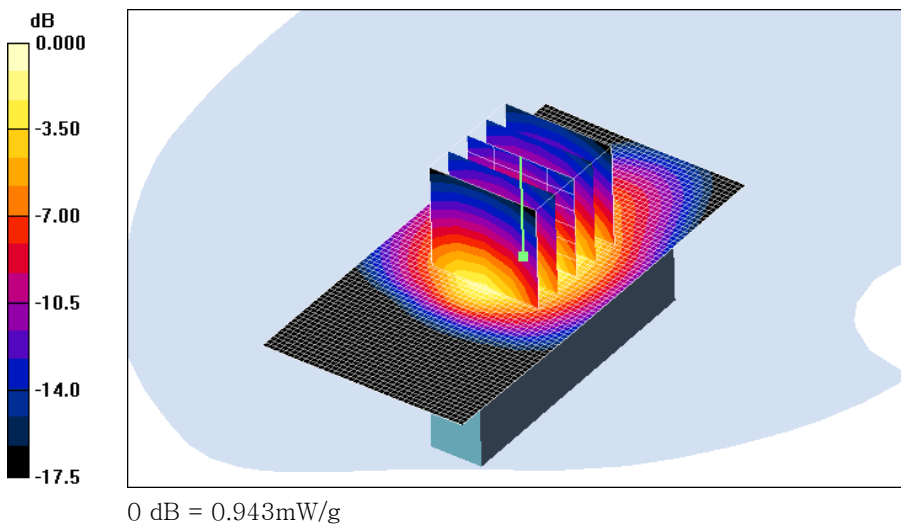
WCDMA Body 9400/Zoom Scan (5x5x7)/Cube 0: Measurement grid: dx=8mm, dy=8mm, dz=5mm

Reference Value = 7.84 V/m; Power Drift = 0.123 dB

Peak SAR (extrapolated) = 1.18 W/kg

SAR(1 g) = 0.849 mW/g; SAR(10 g) = 0.482 mW/g

Maximum value of SAR (measured) = 0.943 mW/g



Test Laboratory: HCT CO., LTD
EUT Type: USM Modem
GPRS Class 10 and GPRS mode class B(GPRS and GSM, but not simultaneously)
Liquid Temperature: 21.1 °C
Ambient Temperature: 21.3 °C
Test Date: May 08, 2009

DUT: UMW190; Type: Bar; Serial: #1

Communication System: WCDMA1900(FCC); Frequency: 1907.6 MHz; Duty Cycle: 1:1
Medium parameters used (interpolated): $f = 1907.6$ MHz; $\sigma = 1.53$ mho/m; $\epsilon_r = 51.7$; $\rho = 1000$ kg/m³
Phantom section: Flat Section ; Measurement SW: DASY4, V4.7 Build 80; Postprocessing SW: SEMCAD, V1.8 Build 176

DASY4 Configuration:

- Probe: ET3DV6 - SN1609; ConvF(4.61, 4.61, 4.61); Calibrated: 2009-03-17
- Sensor-Surface: 4mm (Mechanical Surface Detection)
- Electronics: DAE4 Sn869; Calibrated: 2008-09-03
- Phantom: 1800/1900 Phantom; Type: SAM

WCDMA Body 9538/Area Scan (41x81x1): Measurement grid: dx=15mm, dy=15mm[Info: Interpolated medium parameters used for SAR evaluation.](#)

Maximum value of SAR (interpolated) = 0.932 mW/g

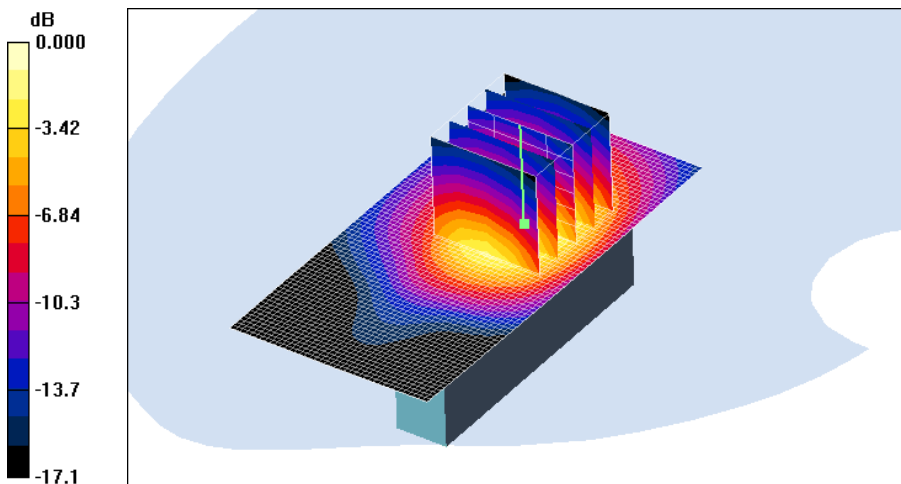
WCDMA Body 9538/Zoom Scan (5x5x7)/Cube 0: Measurement grid: dx=8mm, dy=8mm, dz=5mm

Reference Value = 11.4 V/m; Power Drift = 0.039 dB

Peak SAR (extrapolated) = 1.13 W/kg

SAR(1 g) = 0.799 mW/g; SAR(10 g) = 0.449 mW/g[Info: Interpolated medium parameters used for SAR evaluation.](#)

Maximum value of SAR (measured) = 0.905 mW/g



0 dB = 0.905mW/g

Test Laboratory: HCT CO., LTD
EUT Type: USM Modem
GPRS Class 10 and GPRS mode class B(GPRS and GSM, but not simultaneously)
Liquid Temperature: 21.1 °C
Ambient Temperature: 21.3 °C
Test Date: May 08, 2009

DUT: UMW190; Type: Bar; Serial: #1

Communication System: WCDMA1900(FCC); Frequency: 1852.4 MHz; Duty Cycle: 1:1
Medium parameters used (interpolated): $f = 1852.4$ MHz; $\sigma = 1.47$ mho/m; $\epsilon_r = 52.2$; $\rho = 1000$ kg/m³
Phantom section: Flat Section ; Measurement SW: DASY4, V4.7 Build 80; Postprocessing SW: SEMCAD, V1.8 Build 176

DASY4 Configuration:

- Probe: ET3DV6 - SN1609; ConvF(4.61, 4.61, 4.61); Calibrated: 2009-03-17
- Sensor-Surface: 4mm (Mechanical Surface Detection)
- Electronics: DAE4 Sn869; Calibrated: 2008-09-03
- Phantom: 1800/1900 Phantom; Type: SAM

WCDMA Body 9262/Area Scan (41x81x1): Measurement grid: dx=15mm, dy=15mm[Info: Interpolated medium parameters used for SAR evaluation.](#)

Maximum value of SAR (interpolated) = 1.11 mW/g

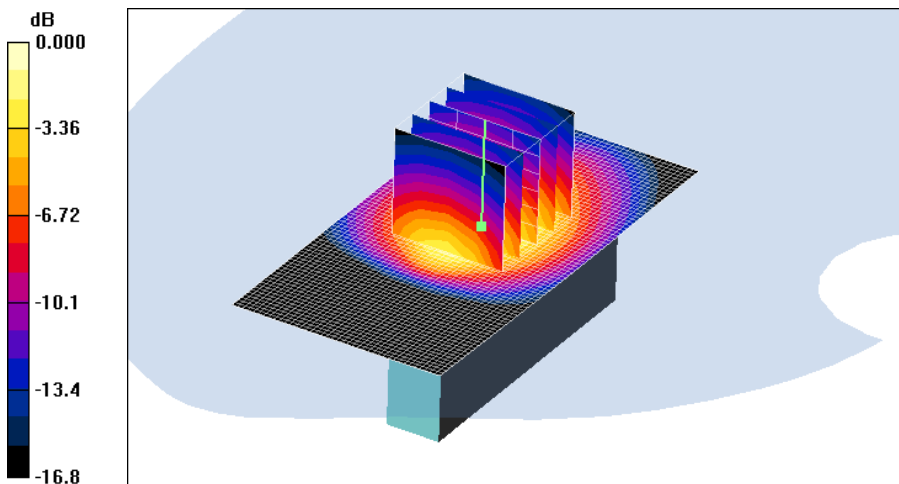
WCDMA Body 9262/Zoom Scan (5x5x7)/Cube 0: Measurement grid: dx=8mm, dy=8mm, dz=5mm

Reference Value = 10.0 V/m; Power Drift = -0.073 dB

Peak SAR (extrapolated) = 1.25 W/kg

SAR(1 g) = 0.938 mW/g; SAR(10 g) = 0.546 mW/g[Info: Interpolated medium parameters used for SAR evaluation.](#)

Maximum value of SAR (measured) = 1.05 mW/g



Test Laboratory: HCT CO., LTD
EUT Type: USM Modem
GPRS Class 10 and GPRS mode class B(GPRS and GSM, but not simultaneously)
Liquid Temperature: 21.1 °C
Ambient Temperature: 21.3 °C
Test Date: May 08, 2009

DUT: UMW190; Type: Bar; Serial: #1

Communication System: WCDMA1900(FCC); Frequency: 1880 MHz; Duty Cycle: 1:1
Medium parameters used: $f = 1880$ MHz; $\sigma = 1.5$ mho/m; $\epsilon_r = 52$; $\rho = 1000$ kg/m³
Phantom section: Flat Section ; Measurement SW: DASY4, V4.7 Build 80; Postprocessing SW: SEMCAD, V1.8 Build 176

DASY4 Configuration:

- Probe: ET3DV6 - SN1609; ConvF(4.61, 4.61, 4.61); Calibrated: 2009-03-17
- Sensor-Surface: 4mm (Mechanical Surface Detection)
- Electronics: DAE4 Sn869; Calibrated: 2008-09-03
- Phantom: 1800/1900 Phantom; Type: SAM

WCDMA Body 9400/Area Scan (41x81x1): Measurement grid: dx=15mm, dy=15mm

Maximum value of SAR (interpolated) = 1.10 mW/g

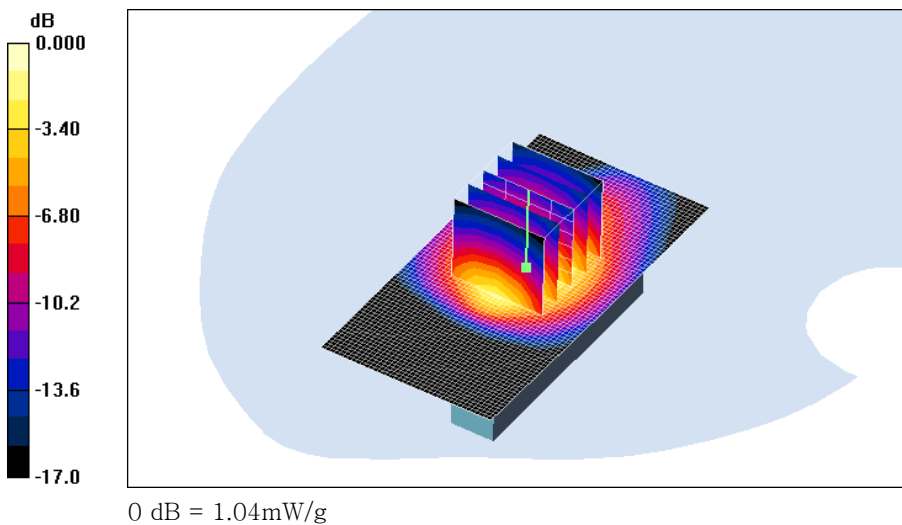
WCDMA Body 9400/Zoom Scan (5x5x7)/Cube 0: Measurement grid: dx=8mm, dy=8mm, dz=5mm

Reference Value = 9.96 V/m; Power Drift = -0.010 dB

Peak SAR (extrapolated) = 1.26 W/kg

SAR(1 g) = 0.929 mW/g; SAR(10 g) = 0.533 mW/g

Maximum value of SAR (measured) = 1.04 mW/g



Test Laboratory: HCT CO., LTD
EUT Type: USM Modem
GPRS Class 10 and GPRS mode class B(GPRS and GSM, but not simultaneously)
Liquid Temperature: 21.1 °C
Ambient Temperature: 21.3 °C
Test Date: May 08, 2009

DUT: UMW190; Type: Bar; Serial: #1

Communication System: WCDMA1900 (FCC); Frequency: 1907.6 MHz; Duty Cycle: 1:1
Medium parameters used (interpolated): $f = 1907.6$ MHz; $\sigma = 1.53$ mho/m; $\epsilon_r = 51.7$; $\rho = 1000$ kg/m³
Phantom section: Flat Section; Measurement SW: DASY4, V4.7 Build 80; Postprocessing SW: SEMCAD, V1.8 Build 176

DASY4 Configuration:

- Probe: ET3DV6 - SN1609; ConvF(4.61, 4.61, 4.61); Calibrated: 2009-03-17
- Sensor-Surface: 4mm (Mechanical Surface Detection)
- Electronics: DAE4 Sn869; Calibrated: 2008-09-03
- Phantom: 1800/1900 Phantom; Type: SAM

WCDMA Body 9538/Area Scan (41x81x1): Measurement grid: dx=15mm, dy=15mm

[Info: Interpolated medium parameters used for SAR evaluation.](#)

Maximum value of SAR (interpolated) = 1.10 mW/g

WCDMA Body 9538/Zoom Scan (5x5x7)/Cube 0: Measurement grid: dx=8mm, dy=8mm, dz=5mm

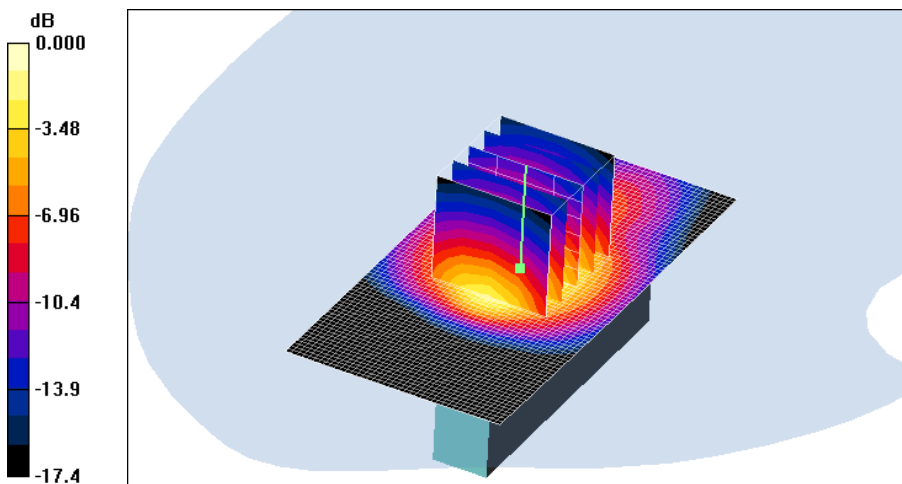
Reference Value = 11.1 V/m; Power Drift = -0.067 dB

Peak SAR (extrapolated) = 1.27 W/kg

SAR(1 g) = 0.920 mW/g; SAR(10 g) = 0.521 mW/g

[Info: Interpolated medium parameters used for SAR evaluation.](#)

Maximum value of SAR (measured) = 1.03 mW/g



0 dB = 1.03mW/g

Test Laboratory: HCT CO., LTD
EUT Type: USM Modem
GPRS Class 10 and GPRS mode class B(GPRS and GSM, but not simultaneously)
Liquid Temperature: 21.1 °C
Ambient Temperature: 21.3 °C
Test Date: May 08, 2009

DUT: UMW190; Type: Bar; Serial: #1

Communication System: WCDMA1900(FCC); Frequency: 1880 MHz; Duty Cycle: 1:1
Medium parameters used: $f = 1880$ MHz; $\sigma = 1.5$ mho/m; $\epsilon_r = 52$; $\rho = 1000$ kg/m³
Phantom section: Flat Section ; Measurement SW: DASY4, V4.7 Build 80; Postprocessing SW: SEMCAD, V1.8 Build 176

DASY4 Configuration:

- Probe: ET3DV6 - SN1609; ConvF(4.61, 4.61, 4.61); Calibrated: 2009-03-17
- Sensor-Surface: 4mm (Mechanical Surface Detection)
- Electronics: DAE4 Sn869; Calibrated: 2008-09-03
- Phantom: 1800/1900 Phantom; Type: SAM

WCDMA 9400/Area Scan (41x41x1): Measurement grid: dx=15mm, dy=15mm

Maximum value of SAR (interpolated) = 0.166 mW/g

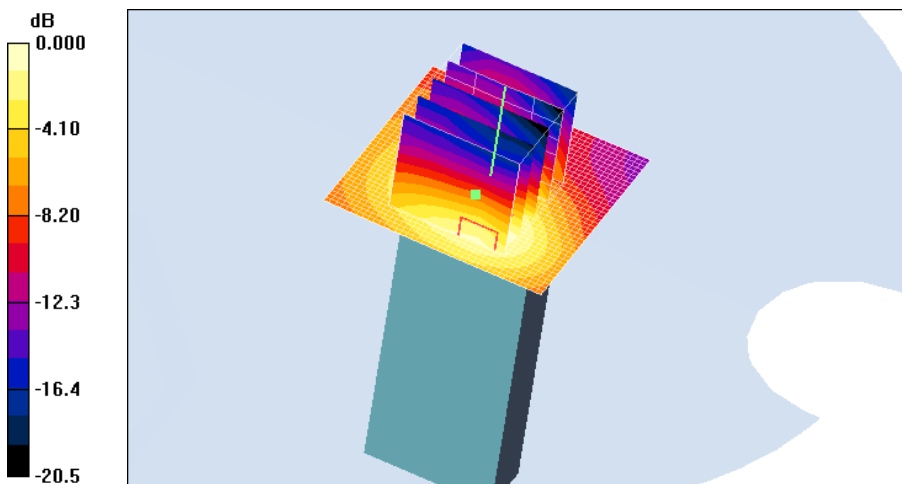
WCDMA 9400/Zoom Scan (5x5x7)/Cube 0: Measurement grid: dx=8mm, dy=8mm, dz=5mm

Reference Value = 10.6 V/m; Power Drift = 0.042 dB

Peak SAR (extrapolated) = 0.231 W/kg

SAR(1 g) = 0.126 mW/g; SAR(10 g) = 0.064 mW/g

Maximum value of SAR (measured) = 0.154 mW/g



Test Laboratory: HCT CO., LTD
EUT Type: USM Modem
GPRS Class 10 and GPRS mode class B(GPRS and GSM, but not simultaneously)
Liquid Temperature: 21.2 °C
Ambient Temperature: 21.4 °C
Test Date: May 07, 2009

DUT: UMW190; Type: Bar; Serial: #1

Communication System: CDMA 835MHz FCC; Frequency: 824.7 MHz; Duty Cycle: 1:1
Medium parameters used: $f = 825$ MHz; $\sigma = 0.982$ mho/m; $\epsilon_r = 54.1$; $\rho = 1000$ kg/m³
Phantom section: Flat Section ; Measurement SW: DASY4, V4.7 Build 80; Postprocessing SW: SEMCAD, V1.8 Build 176

DASY4 Configuration:

- Probe: ET3DV6 - SN1609; ConvF(6.08, 6.08, 6.08); Calibrated: 2009-03-17
- Sensor-Surface: 4mm (Mechanical Surface Detection)
- Electronics: DAE4 Sn869; Calibrated: 2008-09-03
- Phantom: 835/900 Phantom ; Type: SAM

CDMA Body 1013/Area Scan (41x81x1): Measurement grid: dx=15mm, dy=15mm

Maximum value of SAR (interpolated) = 1.13 mW/g

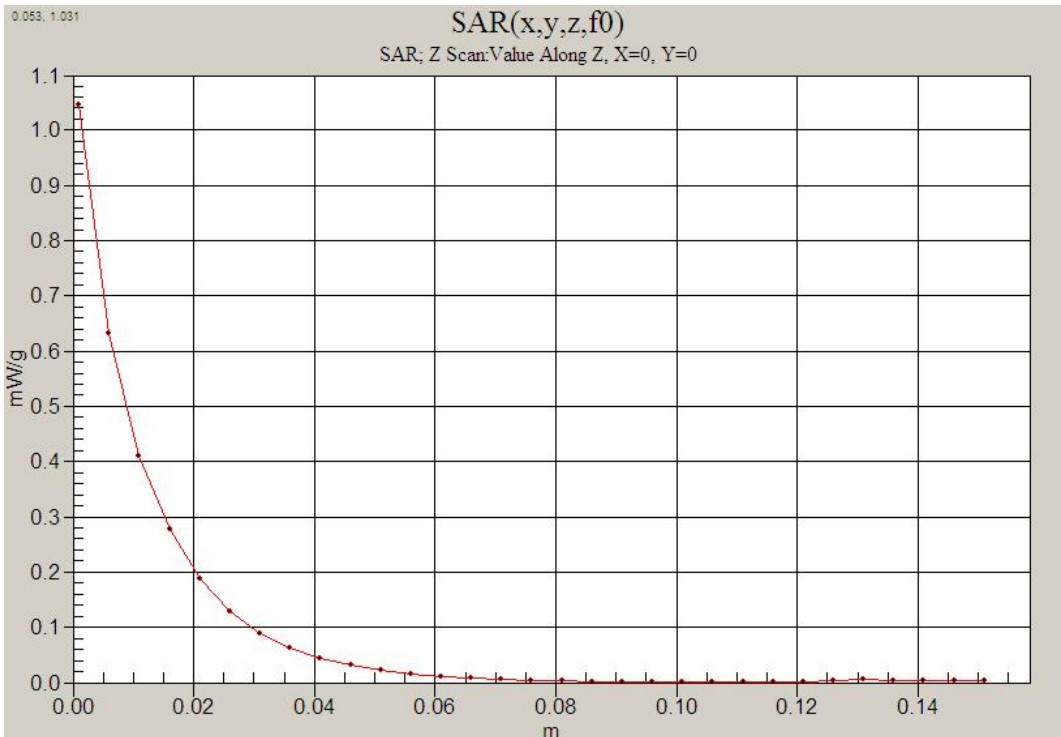
CDMA Body 1013/Zoom Scan (5x5x7)/Cube 0: Measurement grid: dx=8mm, dy=8mm, dz=5mm

Reference Value = 29.5 V/m; Power Drift = 0.020 dB

Peak SAR (extrapolated) = 1.92 W/kg

SAR(1 g) = 1.06 mW/g; SAR(10 g) = 0.637 mW/g

Maximum value of SAR (measured) = 1.13 mW/g



Test Laboratory: HCT CO., LTD
EUT Type: USM Modem
GPRS Class 10 and GPRS mode class B(GPRS and GSM, but not simultaneously)
Liquid Temperature: 21.1 °C
Ambient Temperature: 21.3 °C
Test Date: May 08, 2009

DUT: UMW190; Type: Bar; Serial: #1

Communication System: PCS 1900; Frequency: 1908.75 MHz; Duty Cycle: 1:1
Medium parameters used (interpolated): $f = 1908.75$ MHz; $\sigma = 1.53$ mho/m; $\epsilon_r = 51.7$; $\rho = 1000$ kg/m³
Phantom section: Flat Section ; Measurement SW: DASY4, V4.7 Build 80; Postprocessing SW: SEMCAD, V1.8 Build 176

DASY4 Configuration:

- Probe: ET3DV6 - SN1609; ConvF(4.61, 4.61, 4.61); Calibrated: 2009-03-17
- Sensor-Surface: 4mm (Mechanical Surface Detection)
- Electronics: DAE4 Sn869; Calibrated: 2008-09-03
- Phantom: 1800/1900 Phantom; Type: SAM

PCS Body 1175/Area Scan (41x81x1): Measurement grid: dx=15mm, dy=15mm

[Info: Interpolated medium parameters used for SAR evaluation.](#)

Maximum value of SAR (interpolated) = 1.14 mW/g

PCS Body 1175/Zoom Scan (5x5x7)/Cube 0: Measurement grid: dx=8mm, dy=8mm, dz=5mm

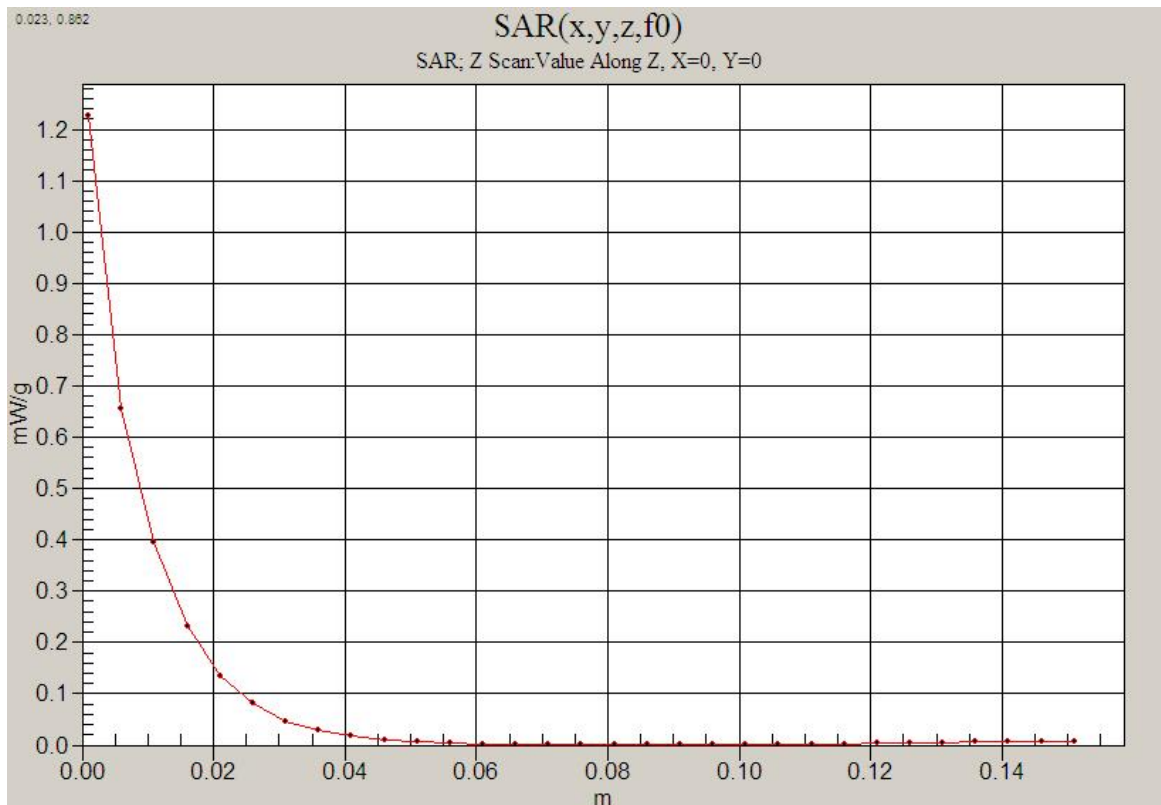
Reference Value = 11.2 V/m; Power Drift = 0.117 dB

Peak SAR (extrapolated) = 1.49 W/kg

SAR(1 g) = 1.04 mW/g; SAR(10 g) = 0.577 mW/g

[Info: Interpolated medium parameters used for SAR evaluation.](#)

Maximum value of SAR (measured) = 1.14 mW/g



Test Laboratory: HCT CO., LTD
EUT Type: USM Modem
GPRS Class 10 and GPRS mode class B(GPRS and GSM, but not simultaneously)
Liquid Temperature: 21.2 °C
Ambient Temperature: 21.4 °C
Test Date: May 07, 2009

DUT: UMW190; Type: Bar; Serial: #1

Communication System: GSM 850; Frequency: 824.2 MHz; Duty Cycle: 1:4.15
Medium parameters used: $f = 825$ MHz; $\sigma = 0.982$ mho/m; $\epsilon_r = 54.1$; $\rho = 1000$ kg/m³
Phantom section: Flat Section ; Measurement SW: DASY4, V4.7 Build 80; Postprocessing SW: SEMCAD, V1.8 Build 176

DASY4 Configuration:

- Probe: ET3DV6 - SN1609; ConvF(6.08, 6.08, 6.08); Calibrated: 2009-03-17
- Sensor-Surface: 4mm (Mechanical Surface Detection)
- Electronics: DAE4 Sn869; Calibrated: 2008-09-03
- Phantom: 835/900 Phantom ; Type: SAM

GSM850 128/Area Scan (41x81x1): Measurement grid: dx=15mm, dy=15mm

Maximum value of SAR (interpolated) = 1.32 mW/g

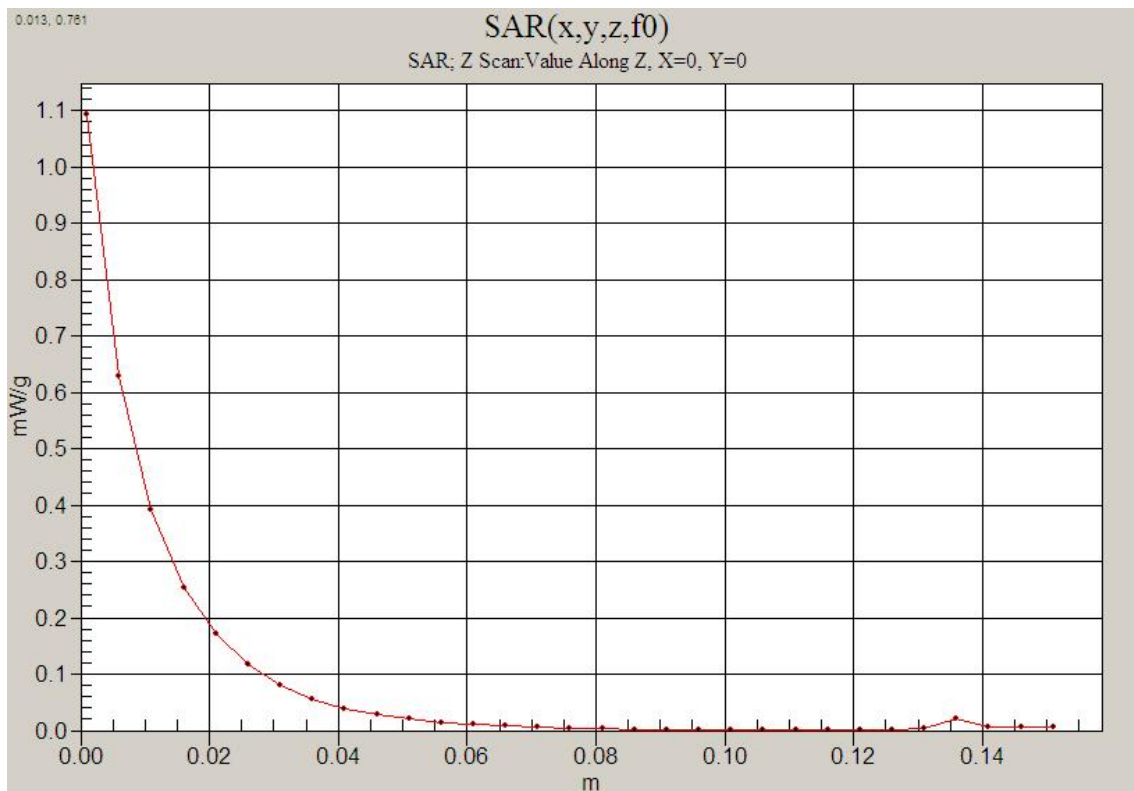
GSM850 128/Zoom Scan (5x5x7)/Cube 0: Measurement grid: dx=8mm, dy=8mm, dz=5mm

Reference Value = 32.5 V/m; Power Drift = -0.054 dB

Peak SAR (extrapolated) = 2.16 W/kg

SAR(1 g) = 1.13 mW/g; SAR(10 g) = 0.673 mW/g

Maximum value of SAR (measured) = 1.22 mW/g



Test Laboratory: HCT CO., LTD
EUT Type: USM Modem
GPRS Class 10 and GPRS mode class B(GPRS and GSM, but not simultaneously)
Liquid Temperature: 21.1 °C
Ambient Temperature: 21.3 °C
Test Date: May 08, 2009

DUT: UMW190; Type: Bar; Serial: #1

Communication System: GSM 1900; Frequency: 1850.2 MHz; Duty Cycle: 1:4.15
Medium parameters used (interpolated): $f = 1850.2$ MHz; $\sigma = 1.47$ mho/m; $\epsilon_r = 52.2$; $\rho = 1000$ kg/m³
Phantom section: Flat Section ; Measurement SW: DASY4, V4.7 Build 80; Postprocessing SW: SEMCAD, V1.8 Build 176

DASY4 Configuration:

- Probe: ET3DV6 - SN1609; ConvF(4.61, 4.61, 4.61); Calibrated: 2009-03-17
- Sensor-Surface: 4mm (Mechanical Surface Detection)
- Electronics: DAE4 Sn869; Calibrated: 2008-09-03
- Phantom: 1800/1900 Phantom; Type: SAM

GSM1900 512/Area Scan (41x71x1): Measurement grid: dx=15mm, dy=15mm[Info: Interpolated medium parameters used for SAR evaluation.](#)

Maximum value of SAR (interpolated) = 1.04 mW/g

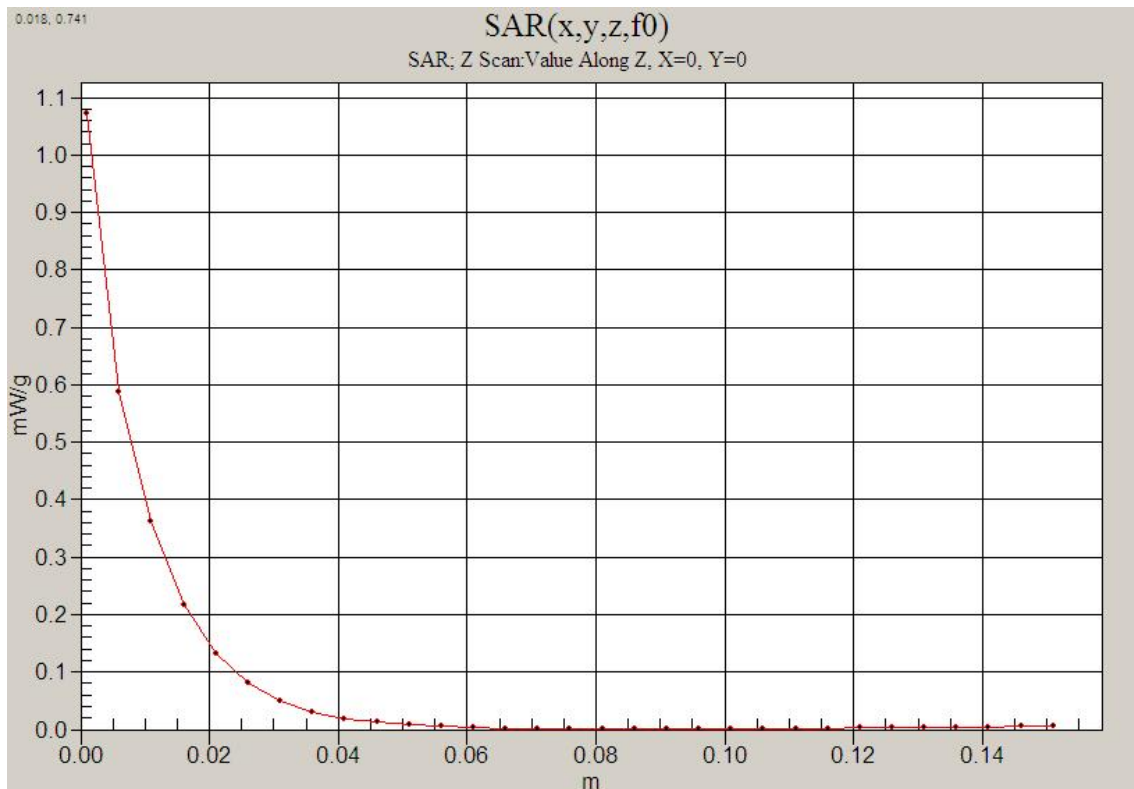
GSM1900 512/Zoom Scan (5x5x7)/Cube 0: Measurement grid: dx=8mm, dy=8mm, dz=5mm

Reference Value = 8.63 V/m; Power Drift = -0.095 dB

Peak SAR (extrapolated) = 1.20 W/kg

SAR(1 g) = 0.893 mW/g; SAR(10 g) = 0.517 mW/g[Info: Interpolated medium parameters used for SAR evaluation.](#)

Maximum value of SAR (measured) = 0.970 mW/g



Test Laboratory: HCT CO., LTD
EUT Type: USM Modem
GPRS Class 10 and GPRS mode class B(GPRS and GSM, but not simultaneously)
Liquid Temperature: 21.2 °C
Ambient Temperature: 21.4 °C
Test Date: May 07, 2009

DUT: UMW190; Type: Bar; Serial: #1

Communication System: WCDMA850; Frequency: 836.6 MHz; Duty Cycle: 1:1
Medium parameters used (interpolated): $f = 836.6$ MHz; $\sigma = 0.991$ mho/m; $\epsilon_r = 54$; $\rho = 1000$ kg/m³
Phantom section: Flat Section ; Measurement SW: DASY4, V4.7 Build 80; Postprocessing SW: SEMCAD, V1.8 Build 176

DASY4 Configuration:

- Probe: ET3DV6 - SN1609; ConvF(6.08, 6.08, 6.08); Calibrated: 2009-03-17
- Sensor-Surface: 4mm (Mechanical Surface Detection)
- Electronics: DAE4 Sn869; Calibrated: 2008-09-03
- Phantom: 835/900 Phantom ; Type: SAM

WCDMA850 4183/Area Scan (41x81x1): Measurement grid: dx=15mm, dy=15mm

[Info: Interpolated medium parameters used for SAR evaluation.](#)

Maximum value of SAR (interpolated) = 1.12 mW/g

WCDMA850 4183/Zoom Scan (5x5x7)/Cube 0: Measurement grid: dx=8mm, dy=8mm, dz=5mm

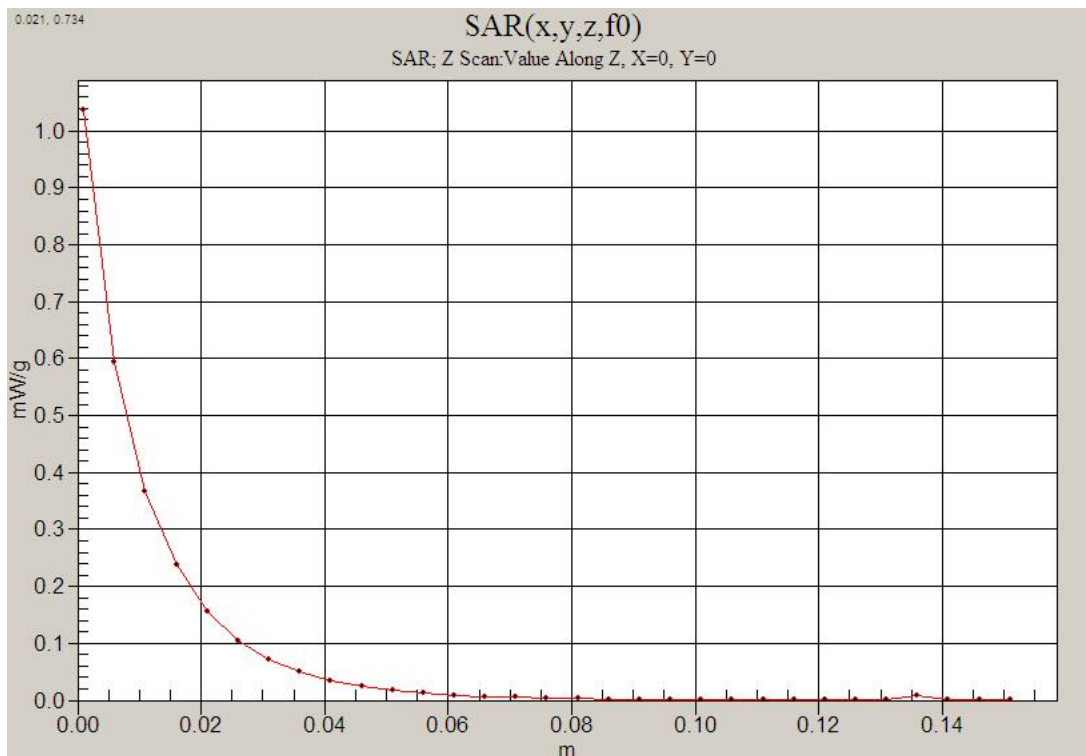
Reference Value = 31.9 V/m; Power Drift = 0.102 dB

Peak SAR (extrapolated) = 2.05 W/kg

SAR(1 g) = 1.03 mW/g; SAR(10 g) = 0.595 mW/g

[Info: Interpolated medium parameters used for SAR evaluation.](#)

Maximum value of SAR (measured) = 1.12 mW/g



Test Laboratory: HCT CO., LTD
 EUT Type: USM Modem
 GPRS Class 10 and GPRS mode class B(GPRS and GSM, but not simultaneously)
 Liquid Temperature: 21.1 °C
 Ambient Temperature: 21.3 °C
 Test Date: May 08, 2009

DUT: UMW190; Type: Bar; Serial: #1

Communication System: WCDMA1900(FCC); Frequency: 1852.4 MHz; Duty Cycle: 1:1
 Medium parameters used (interpolated): $f = 1852.4$ MHz; $\sigma = 1.47$ mho/m; $\epsilon_r = 52.2$; $\rho = 1000$ kg/m³
 Phantom section: Flat Section ; Measurement SW: DASY4, V4.7 Build 80; Postprocessing SW: SEMCAD, V1.8 Build 176

DASY4 Configuration:

- Probe: ET3DV6 - SN1609; ConvF(4.61, 4.61, 4.61); Calibrated: 2009-03-17
- Sensor-Surface: 4mm (Mechanical Surface Detection)
- Electronics: DAE4 Sn869; Calibrated: 2008-09-03
- Phantom: 1800/1900 Phantom; Type: SAM

WCDMA Body 9262/Area Scan (41x81x1): Measurement grid: dx=15mm, dy=15mm

[Info: Interpolated medium parameters used for SAR evaluation.](#)

Maximum value of SAR (interpolated) = 1.11 mW/g

WCDMA Body 9262/Zoom Scan (5x5x7)/Cube 0: Measurement grid: dx=8mm, dy=8mm, dz=5mm

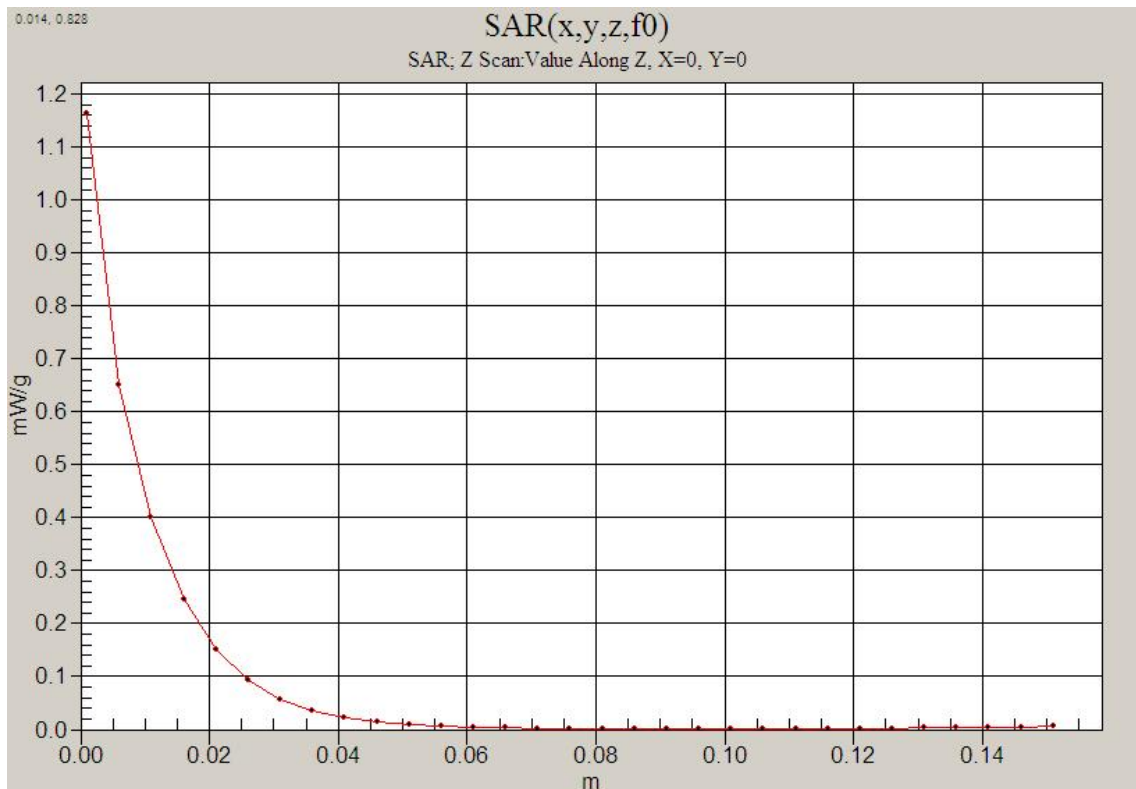
Reference Value = 10.0 V/m; Power Drift = -0.073 dB

Peak SAR (extrapolated) = 1.25 W/kg

SAR(1 g) = 0.938 mW/g; SAR(10 g) = 0.546 mW/g

[Info: Interpolated medium parameters used for SAR evaluation.](#)

Maximum value of SAR (measured) = 1.05 mW/g



Attachment 2. – Dipole Validation Plots

■ Validation Data (835 MHz Head)

Test Laboratory: HCT CO., LTD
Input Power 100 mW (20 dBm)
Liquid Temp: 21.2 °C
Test Date: May 07, 2009

DUT: Dipole 835 MHz; Type: D835V2; Serial: D835V2 – SN:441

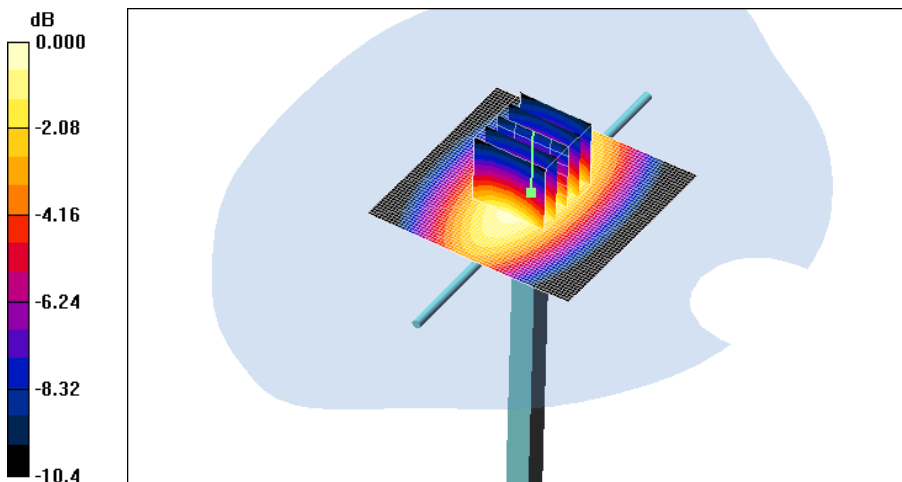
Communication System: CW; Frequency: 835 MHz; Duty Cycle: 1:1
Medium parameters used: $f = 835$ MHz; $\sigma = 0.866$ mho/m; $\epsilon_r = 42.9$; $\rho = 1000$ kg/m³
Phantom section: Flat Section ; Measurement SW: DASY4, V4.7 Build 80; Postprocessing SW: SEMCAD, V1.8 Build 176

DASY4 Configuration:

- Probe: ET3DV6 – SN1609; ConvF(6.25, 6.25, 6.25); Calibrated: 2009-03-17
- Sensor-Surface: 4mm (Mechanical Surface Detection)
- Electronics: DAE4 Sn869; Calibrated: 2008-09-03
- Phantom: SAM 835/900 MHz; Type: SAM

Validation 835MHz/Area Scan (61x61x1): Measurement grid: dx=15mm, dy=15mm
Maximum value of SAR (interpolated) = 0.999 mW/g

Validation 835MHz/Zoom Scan (5x5x7)/Cube 0: Measurement grid: dx=8mm, dy=8mm, dz=5mm
Reference Value = 35.1 V/m; Power Drift = -0.020 dB
Peak SAR (extrapolated) = 1.39 W/kg
SAR(1 g) = 0.932 mW/g; SAR(10 g) = 0.612 mW/g
Maximum value of SAR (measured) = 1.00 mW/g



0 dB = 1.00mW/g

Validation Data (1900 MHz Head)

Test Laboratory: HCT CO., LTD
Input Power: 100 mW (20 dBm)
Liquid Temp: 21.1 °C
Test Date: May 08, 2009

DUT: Dipole 1900 MHz; Type: D1900V2; Serial: D1900V2 – SN:5d032

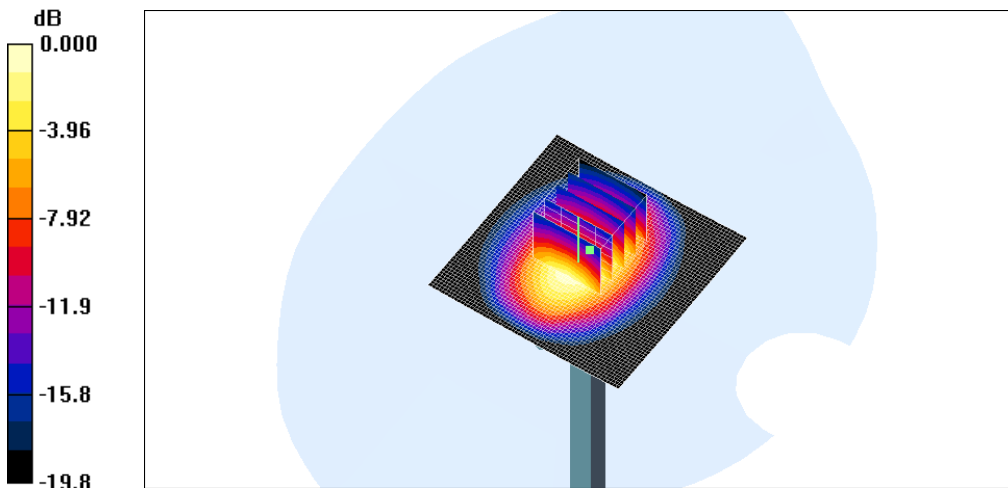
Communication System: CW; Frequency: 1900 MHz; Duty Cycle: 1:1
Medium parameters used: $f = 1900$ MHz; $\sigma = 1.4$ mho/m; $\epsilon_r = 40.8$; $\rho = 1000$ kg/m³
Phantom section: Flat Section ; Measurement SW: DASY4, V4.7 Build 80; Postprocessing SW: SEMCAD, V1.8 Build 176

DASY4 Configuration:

- Probe: ET3DV6 – SN1609; ConvF(5.12, 5.12, 5.12); Calibrated: 2009-03-17
- Sensor-Surface: 4mm (Mechanical Surface Detection)
- Electronics: DAE4 Sn869; Calibrated: 2008-09-03
- Phantom: SAM 1800/1900 MHz; Type: SAM

Dipole 1900MHz Validation/Area Scan (61x61x1): Measurement grid: dx=15mm, dy=15mm
Maximum value of SAR (interpolated) = 4.48 mW/g

Dipole 1900MHz Validation/Zoom Scan (5x5x7)/Cube 0: Measurement grid: dx=8mm, dy=8mm, dz=5mm
Reference Value = 57.5 V/m; Power Drift = 0.224 dB
Peak SAR (extrapolated) = 6.64 W/kg
SAR(1 g) = 3.82 mW/g; SAR(10 g) = 1.99 mW/g
Maximum value of SAR (measured) = 4.29 mW/g



0 dB = 4.29mW/g

■ Dielectric Parameter (835 MHz Head)

Title UMW190
SubTitle 835 MHz
Test Date May 07, 2009

Frequency	e'	e''
800.000000 MHz	43.6439	18.8392
805.000000 MHz	43.5878	18.7744
810.000000 MHz	43.4071	18.7242
815.000000 MHz	43.3152	18.7143
820.000000 MHz	43.1823	18.7059
825.000000 MHz	43.0589	18.6688
830.000000 MHz	42.9929	18.6793
835.000000 MHz	42.8753	18.6523
840.000000 MHz	42.7987	18.6716
845.000000 MHz	42.6766	18.6731
850.000000 MHz	42.6852	18.6729
855.000000 MHz	42.6187	18.6792
860.000000 MHz	42.5593	18.6886
865.000000 MHz	42.5184	18.6876
870.000000 MHz	42.4927	18.7176
875.000000 MHz	42.4575	18.7300
880.000000 MHz	42.4572	18.7216
885.000000 MHz	42.3957	18.7418
890.000000 MHz	42.3982	18.7224
895.000000 MHz	42.3068	18.7368
900.000000 MHz	42.2944	18.6973

■ Dielectric Parameter (835 MHz Body)

Title UMW190
SubTitle 835 MHz
Test Date May 07, 2009

Frequency	e'	e''
800.000000 MHz	54.3269	21.4314
805.000000 MHz	54.3274	21.4215
810.000000 MHz	54.2577	21.4025
815.000000 MHz	54.1896	21.4002
820.000000 MHz	54.1416	21.4188
825.000000 MHz	54.0639	21.3979
830.000000 MHz	54.0169	21.3663
835.000000 MHz	53.9602	21.3054
840.000000 MHz	53.9350	21.2831
845.000000 MHz	53.8756	21.2845
850.000000 MHz	53.8204	21.2790
855.000000 MHz	53.7770	21.2584
860.000000 MHz	53.6741	21.2063
865.000000 MHz	53.6617	21.1910
870.000000 MHz	53.5788	21.1434
875.000000 MHz	53.5399	21.1384
880.000000 MHz	53.4710	21.1078
885.000000 MHz	53.3940	21.0807
890.000000 MHz	53.3459	21.0167
895.000000 MHz	53.3082	21.0857
900.000000 MHz	53.2880	21.0219

■ Dielectric Parameter (1900 MHz Head)

Title UMW190
SubTitle 1900 MHz
Test Date May 08, 2009

Frequency	e'	e''
1.850000000 GHz	40.9889	13.0135
1.855000000 GHz	40.9747	13.0568
1.860000000 GHz	40.9532	13.0837
1.865000000 GHz	40.9538	13.1112
1.870000000 GHz	40.9273	13.1109
1.875000000 GHz	40.9095	13.1231
1.880000000 GHz	40.8763	13.1576
1.885000000 GHz	40.8505	13.1752
1.890000000 GHz	40.8705	13.1837
1.895000000 GHz	40.8165	13.2442
1.900000000 GHz	40.7866	13.2313
1.905000000 GHz	40.7703	13.2518
1.910000000 GHz	40.7409	13.2569
1.915000000 GHz	40.7203	13.3104
1.920000000 GHz	40.6533	13.2988
1.925000000 GHz	40.6415	13.3373
1.930000000 GHz	40.6179	13.3179
1.935000000 GHz	40.5742	13.3481
1.940000000 GHz	40.5390	13.3726
1.945000000 GHz	40.4939	13.4039
1.950000000 GHz	40.4736	13.4184

■ Dielectric Parameter (1900 MHz Body)

Title UMW190
SubTitle 1900 MHz
Test Date May 08, 2009

Frequency	e'	e''
1.850000000 GHz	52.1703	14.2719
1.855000000 GHz	52.1524	14.2882
1.860000000 GHz	52.1207	14.2880
1.865000000 GHz	52.1139	14.3198
1.870000000 GHz	52.0677	14.3470
1.875000000 GHz	52.0069	14.3407
1.880000000 GHz	51.9770	14.3001
1.885000000 GHz	51.9136	14.2860
1.890000000 GHz	51.8610	14.3197
1.895000000 GHz	51.8323	14.3395
1.900000000 GHz	51.7963	14.3588
1.905000000 GHz	51.7287	14.4138
1.910000000 GHz	51.7428	14.4598
1.915000000 GHz	51.7230	14.5150
1.920000000 GHz	51.7444	14.5796
1.925000000 GHz	51.7691	14.6233
1.930000000 GHz	51.8159	14.6395
1.935000000 GHz	51.8571	14.6607
1.940000000 GHz	51.8266	14.7008
1.945000000 GHz	51.8659	14.6875
1.950000000 GHz	51.9419	14.6903

Attachment 3. – Probe Calibration Data

**Calibration Laboratory of
Schmid & Partner
Engineering AG**
Zeughausstrasse 43, 8004 Zurich, Switzerland



S Schweizerischer Kalibrierdienst
C Service suisse d'étalonnage
S Servizio svizzero di taratura
S Swiss Calibration Service

Accredited by the Swiss Accreditation Service (SAS)
The Swiss Accreditation Service is one of the signatories to the EA
Multilateral Agreement for the recognition of calibration certificates

Accreditation No.: **SCS 108**

Client **HCT (Dymstec)**

Certificate No: **ET3-1609_Mar09**

CALIBRATION CERTIFICATE

Object: **ET3DV6 - SN:1609**

Calibration procedure(s): **QA CAL-01.v6, QA CAL-12.v5 and QA CAL-23.v3
Calibration procedure for dosimetric E-field probes**

Calibration date: **March 17, 2009**

Condition of the calibrated item: **In Tolerance**

This calibration certificate documents the traceability to national standards, which realize the physical units of measurements (SI).
The measurements and the uncertainties with confidence probability are given on the following pages and are part of the certificate.

All calibrations have been conducted in the closed laboratory facility; environment temperature (22 ± 3)°C and humidity < 70%.

Calibration Equipment used (M&TE critical for calibration)

Primary Standards	ID #	Cal Date (Certificate No.)	Scheduled Calibration
Power meter E4419B	GB41293874	1-Apr-08 (No. 217-00788)	Apr-09
Power sensor E4412A	MY41495277	1-Apr-08 (No. 217-00788)	Apr-09
Power sensor E4412A	MY41498087	1-Apr-08 (No. 217-00788)	Apr-09
Reference 3 dB Attenuator	SN: S5054 (3c)	1-Jul-08 (No. 217-00865)	Jul-09
Reference 20 dB Attenuator	SN: S5086 (20b)	31-Mar-08 (No. 217-00787)	Apr-09
Reference 30 dB Attenuator	SN: S5129 (30b)	1-Jul-08 (No. 217-00866)	Jul-09
Reference Probe ES3DV2	SN: 3013	2-Jan-09 (No. ES3-3013_Jan09)	Jan-10
DAE4	SN: 660	9-Sep-08 (No. DAE4-660_Sep08)	Sep-09

Secondary Standards	ID #	Check Date (in house)	Scheduled Check
RF generator HP 8648C	US3642U01700	4-Aug-99 (in house check Oct-07)	In house check: Oct-09
Network Analyzer HP 8753E	US37390595	18-Oct-01 (in house check Oct-08)	In house check: Oct-09

	Name	Function	Signature
Calibrated by:	Marcel Fehr	Laboratory Technician	
Approved by:	Katja Pokovic	Technical Manager	

Issued: March 17, 2009

This calibration certificate shall not be reproduced except in full without written approval of the laboratory.

**Calibration Laboratory of
Schmid & Partner**
Engineering AG
Zeughausstrasse 43, 8004 Zurich, Switzerland



S Schweizerischer Kalibrierdienst
S Service suisse d'étalonnage
C Servizio svizzero di taratura
S Swiss Calibration Service

Accredited by the Swiss Accreditation Service (SAS)
The Swiss Accreditation Service is one of the signatories to the EA
Multilateral Agreement for the recognition of calibration certificates

Accreditation No.: **SCS 108**

Glossary:

TSL	tissue simulating liquid
NORM _{x,y,z}	sensitivity in free space
ConvF	sensitivity in TSL / NORM _{x,y,z}
DCP	diode compression point
Polarization φ	φ rotation around probe axis
Polarization ϑ	ϑ rotation around an axis that is in the plane normal to probe axis (at measurement center), i.e., $\vartheta = 0$ is normal to probe axis

Calibration is Performed According to the Following Standards:

- a) IEEE Std 1528-2003, "IEEE Recommended Practice for Determining the Peak Spatial-Averaged Specific Absorption Rate (SAR) in the Human Head from Wireless Communications Devices: Measurement Techniques", December 2003
- b) IEC 62209-1, "Procedure to measure the Specific Absorption Rate (SAR) for hand-held devices used in close proximity to the ear (frequency range of 300 MHz to 3 GHz)", February 2005

Methods Applied and Interpretation of Parameters:

- **NORM_{x,y,z}**: Assessed for E-field polarization $\vartheta = 0$ ($f \leq 900$ MHz in TEM-cell; $f > 1800$ MHz: R22 waveguide). NORM_{x,y,z} are only intermediate values, i.e., the uncertainties of NORM_{x,y,z} does not effect the E²-field uncertainty inside TSL (see below ConvF).
- **NORM(f)_{x,y,z} = NORM_{x,y,z} * frequency_response** (see Frequency Response Chart). This linearization is implemented in DASY4 software versions later than 4.2. The uncertainty of the frequency response is included in the stated uncertainty of ConvF.
- **DCP_{x,y,z}**: DCP are numerical linearization parameters assessed based on the data of power sweep (no uncertainty required). DCP does not depend on frequency nor media.
- **ConvF and Boundary Effect Parameters**: Assessed in flat phantom using E-field (or Temperature Transfer Standard for $f \leq 800$ MHz) and inside waveguide using analytical field distributions based on power measurements for $f > 800$ MHz. The same setups are used for assessment of the parameters applied for boundary compensation (alpha, depth) of which typical uncertainty values are given. These parameters are used in DASY4 software to improve probe accuracy close to the boundary. The sensitivity in TSL corresponds to NORM_{x,y,z} * ConvF whereby the uncertainty corresponds to that given for ConvF. A frequency dependent ConvF is used in DASY version 4.4 and higher which allows extending the validity from ± 50 MHz to ± 100 MHz.
- **Spherical isotropy (3D deviation from isotropy)**: in a field of low gradients realized using a flat phantom exposed by a patch antenna.
- **Sensor Offset**: The sensor offset corresponds to the offset of virtual measurement center from the probe tip (on probe axis). No tolerance required.

ET3DV6 SN:1609

March 17, 2009

Probe ET3DV6

SN:1609

Manufactured:	July 21, 2001
Last calibrated:	August 30, 2007
Recalibrated:	March 17, 2009

Calibrated for DASY Systems

(Note: non-compatible with DASY2 system!)

Certificate No: ET3-1609_Mar09

Page 3 of 9

ET3DV6 SN:1609

March 17, 2009

DASY - Parameters of Probe: ET3DV6 SN:1609

Sensitivity in Free Space^A

Diode Compression^B

NormX	1.97 ± 10.1%	$\mu\text{V}/(\text{V}/\text{m})^2$	DCP X	93 mV
NormY	1.87 ± 10.1%	$\mu\text{V}/(\text{V}/\text{m})^2$	DCP Y	90 mV
NormZ	1.82 ± 10.1%	$\mu\text{V}/(\text{V}/\text{m})^2$	DCP Z	93 mV

Sensitivity in Tissue Simulating Liquid (Conversion Factors)

Please see Page 8.

Boundary Effect

TSL 900 MHz Typical SAR gradient: 5 % per mm

Sensor Center to Phantom Surface Distance		3.7 mm	4.7 mm
SAR _{be} [%]	Without Correction Algorithm	11.4	7.0
SAR _{be} [%]	With Correction Algorithm	0.9	0.5

TSL 1750 MHz Typical SAR gradient: 10 % per mm

Sensor Center to Phantom Surface Distance		3.7 mm	4.7 mm
SAR _{be} [%]	Without Correction Algorithm	13.8	9.5
SAR _{be} [%]	With Correction Algorithm	0.9	0.6

Sensor Offset

Probe Tip to Sensor Center 2.7 mm

The reported uncertainty of measurement is stated as the standard uncertainty of measurement multiplied by the coverage factor k=2, which for a normal distribution corresponds to a coverage probability of approximately 95%.

^A The uncertainties of NormX,Y,Z do not affect the E²-field uncertainty inside TSL (see Page 8).

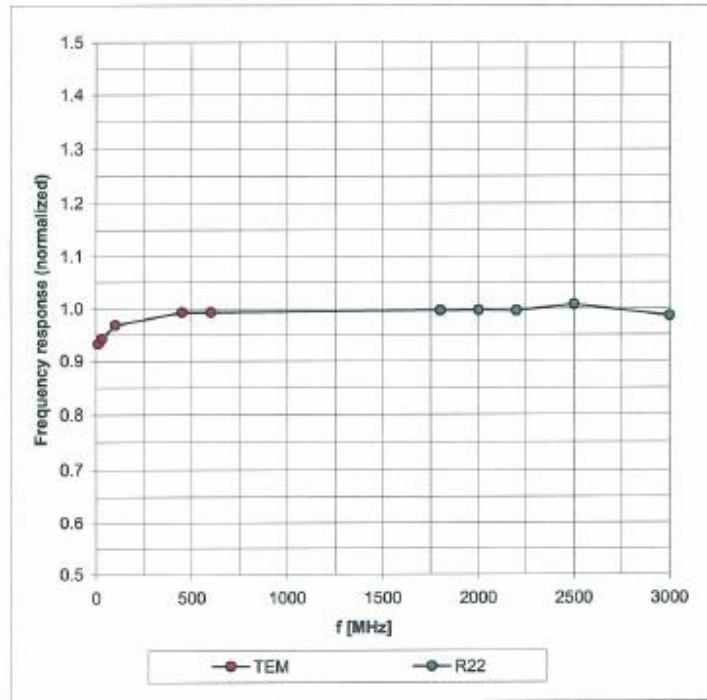
^B Numerical linearization parameter: uncertainty not required

ET3DV6 SN:1609

March 17, 2009

Frequency Response of E-Field

(TEM-Cell:ifi110 EXX, Waveguide: R22)

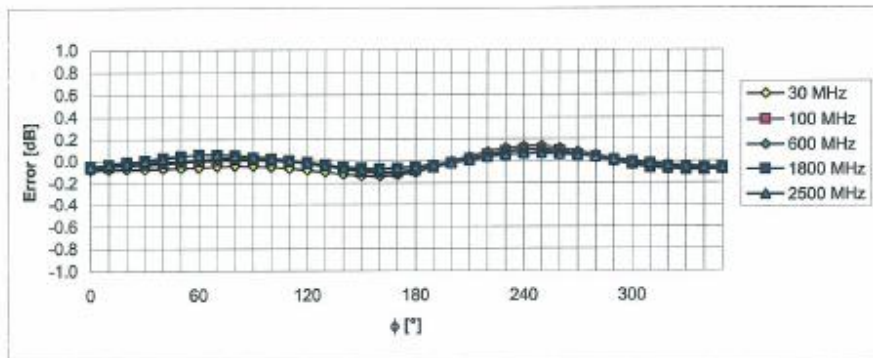
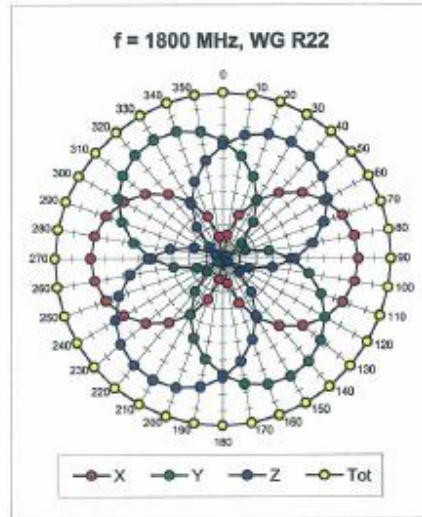
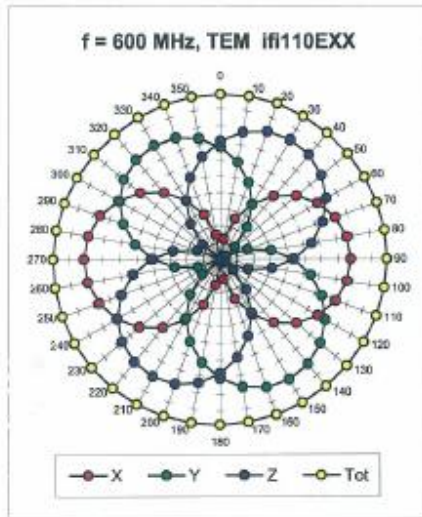


Uncertainty of Frequency Response of E-field: $\pm 6.3\%$ (k=2)

ET3DV6 SN:1609

March 17, 2009

Receiving Pattern (ϕ), $\theta = 0^\circ$

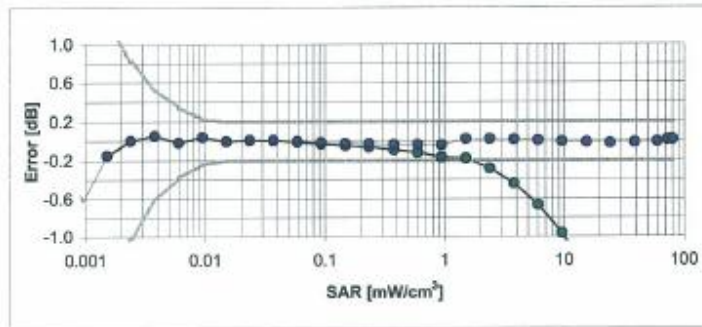
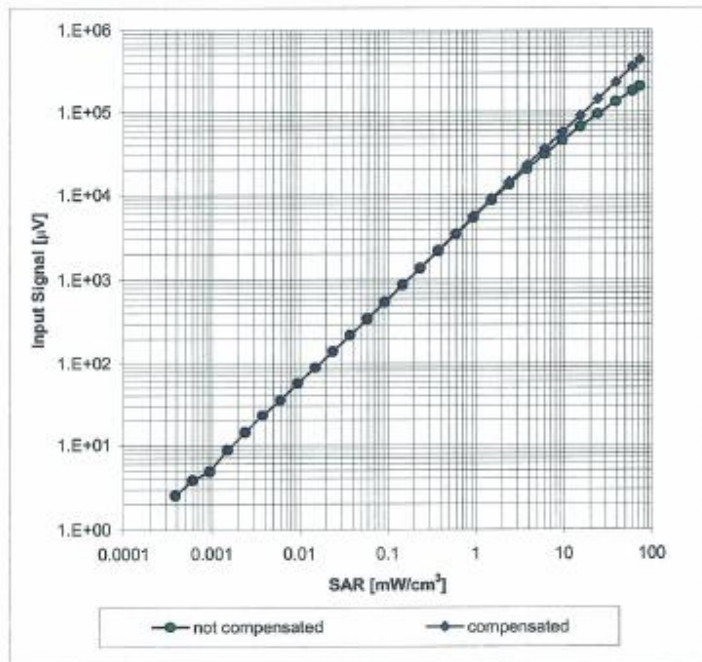


Uncertainty of Axial Isotropy Assessment: $\pm 0.5\%$ ($k=2$)

ET3DV6 SN:1609

March 17, 2009

Dynamic Range f(SAR_{head})
(Waveguide R22, f = 1800 MHz)

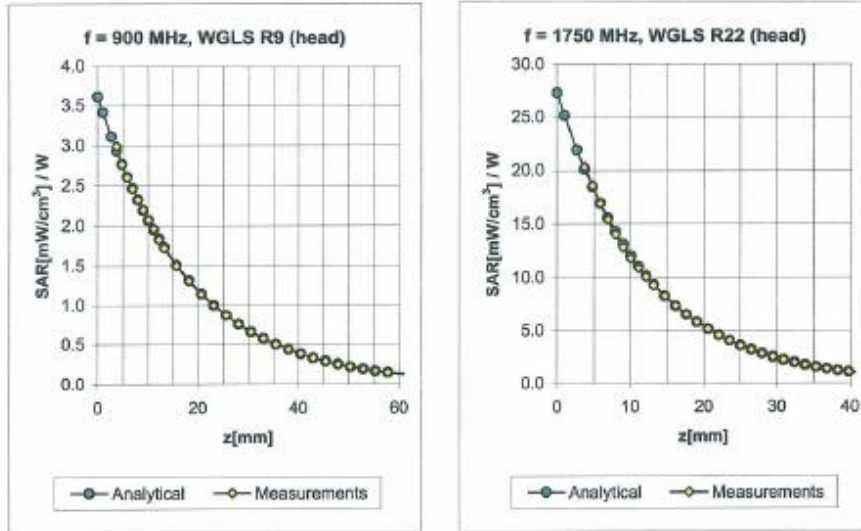


Uncertainty of Linearity Assessment: ± 0.6% (k=2)

ET3DV6 SN:1609

March 17, 2009

Conversion Factor Assessment



f [MHz]	Validity [MHz] ^c	TSL	Permittivity	Conductivity	Alpha	Depth	ConvF Uncertainty
450	± 50 / ± 100	Head	43.5 ± 5%	0.87 ± 5%	0.38	1.91	6.91 ± 13.3% (k=2)
835	± 50 / ± 100	Head	41.5 ± 5%	0.90 ± 5%	0.25	2.80	6.25 ± 11.0% (k=2)
900	± 50 / ± 100	Head	41.5 ± 5%	0.97 ± 5%	0.25	2.80	6.11 ± 11.0% (k=2)
1750	± 50 / ± 100	Head	40.1 ± 5%	1.37 ± 5%	0.39	3.57	5.39 ± 11.0% (k=2)
1900	± 50 / ± 100	Head	40.0 ± 5%	1.40 ± 5%	0.50	2.75	5.12 ± 11.0% (k=2)
1950	± 50 / ± 100	Head	40.0 ± 5%	1.40 ± 5%	0.55	2.52	5.01 ± 11.0% (k=2)
2450	± 50 / ± 100	Head	39.2 ± 5%	1.80 ± 5%	0.99	1.76	4.54 ± 11.0% (k=2)
450	± 50 / ± 100	Body	56.7 ± 5%	0.94 ± 5%	0.30	1.92	7.48 ± 13.3% (k=2)
835	± 50 / ± 100	Body	55.2 ± 5%	0.97 ± 5%	0.25	2.85	6.08 ± 11.0% (k=2)
1750	± 50 / ± 100	Body	53.4 ± 5%	1.49 ± 5%	0.77	3.05	4.89 ± 11.0% (k=2)
1900	± 50 / ± 100	Body	53.3 ± 5%	1.52 ± 5%	0.99	2.60	4.61 ± 11.0% (k=2)
2450	± 50 / ± 100	Body	52.7 ± 5%	1.95 ± 5%	0.99	1.78	4.00 ± 11.0% (k=2)

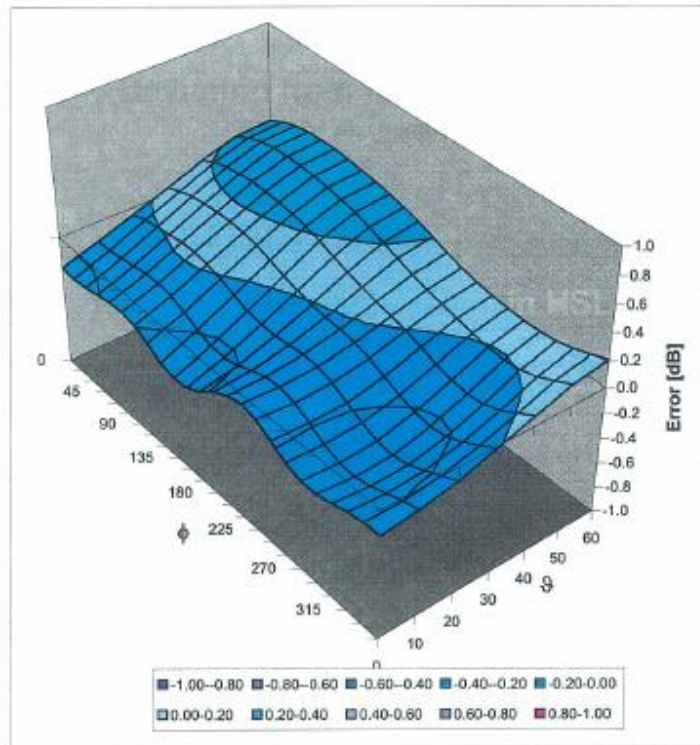
^c The validity of ± 100 MHz only applies for DASY v4.4 and higher (see Page 2). The uncertainty is the RSS of the ConvF uncertainty at calibration frequency and the uncertainty for the indicated frequency band.

ET3DV6 SN:1609

March 17, 2009

Deviation from Isotropy in HSL

Error (ϕ , θ), $f = 900$ MHz



Uncertainty of Spherical Isotropy Assessment: $\pm 2.6\%$ ($k=2$)

Attachment 4. – Dipole Calibration Data

**Calibration Laboratory of
Schmid & Partner
Engineering AG**
Zeughausstrasse 43, 8004 Zurich, Switzerland



S Schweizerischer Kalibrierdienst
S Service suisse d'étalonnage
S Servizio svizzero di taratura
S Swiss Calibration Service

Accredited by the Swiss Accreditation Service (SAS)
The Swiss Accreditation Service is one of the signatories to the EA
Multilateral Agreement for the recognition of calibration certificates

Accreditation No.: **SCS 108**

Client **HCT (Dymstec)**

Certificate No: **D835V2-441_May08**

CALIBRATION CERTIFICATE

Object: **D835V2 - SN: 441**

Calibration procedure(s): **QA CAL-05.v7
Calibration procedure for dipole validation kits**

Calibration date: **May 19, 2008**

Condition of the calibrated item: **In Tolerance**

This calibration certificate documents the traceability to national standards, which realize the physical units of measurements (SI).
The measurements and the uncertainties with confidence probability are given on the following pages and are part of the certificate.

All calibrations have been conducted in the closed laboratory facility: environment temperature (22 ± 3)°C and humidity < 70%.

Calibration Equipment used (M&TE critical for calibration)

Primary Standards	ID #	Cal Date (Calibrated by, Certificate No.)	Scheduled Calibration
Power meter EPM-442A	GB37480704	04-Oct-07 (METAS, No. 217-00736)	Oct-08
Power sensor HP 8481A	US37292783	04-Oct-07 (METAS, No. 217-00736)	Oct-08
Reference 20 dB Attenuator	SN: 5086 (20g)	07-Aug-07 (METAS, No 217-00718)	Aug-08
Type-N mismatch combination	SN: 5047.2 / 06327	08-Aug-07 (No. 217-00721)	Aug-08
Reference Probe ES3DV2	SN: 3025	28-Apr-08 (No. ES3-3025_Apr08)	Apr-09
DAE4	SN: 601	14-Mar-08 (No. DAE4-601_Mar08)	Mar-09
Secondary Standards	ID #	Check Date (in house)	Scheduled Check
Power sensor HP 8481A	MY41092317	18-Oct-02 (SPEAG, in house check Oct-07)	In house check: Oct-09
RF generator R&S SMT-06	100005	04-Aug-99 (SPEAG, in house check Oct-07)	In house check: Oct-09
Network Analyzer HP 8753E	US37390585 S4206	18-Oct-01 (SPEAG, in house check Oct-07)	In house check: Oct-08

Calibrated by: **Claudio Leubler** (Name), **Laboratory Technician** (Function), *[Signature]* (Signature)

Approved by: **Katja Pokovic** (Name), **Technical Manager** (Function), *[Signature]* (Signature)

Issued: May 20, 2008

This calibration certificate shall not be reproduced except in full without written approval of the laboratory.

**Calibration Laboratory of
Schmid & Partner
Engineering AG**
Zeughausstrasse 43, 8004 Zurich, Switzerland



S Schweizerischer Kalibrierdienst
C Service suisse d'étalonnage
S Servizio svizzero di taratura
S Swiss Calibration Service

Accredited by the Swiss Accreditation Service (SAS)
The Swiss Accreditation Service is one of the signatories to the EA
Multilateral Agreement for the recognition of calibration certificates

Accreditation No.: **SCS 108**

Glossary:

TSL	tissue simulating liquid
ConvF	sensitivity in TSL / NORM x,y,z
N/A	not applicable or not measured

Calibration is Performed According to the Following Standards:

- IEEE Std 1528-2003, "IEEE Recommended Practice for Determining the Peak Spatial-Averaged Specific Absorption Rate (SAR) in the Human Head from Wireless Communications Devices: Measurement Techniques", December 2003
- IEC 62209-1, "Procedure to measure the Specific Absorption Rate (SAR) for hand-held devices used in close proximity to the ear (frequency range of 300 MHz to 3 GHz)", February 2005
- Federal Communications Commission Office of Engineering & Technology (FCC OET), "Evaluating Compliance with FCC Guidelines for Human Exposure to Radiofrequency Electromagnetic Fields; Additional Information for Evaluating Compliance of Mobile and Portable Devices with FCC Limits for Human Exposure to Radiofrequency Emissions", Supplement C (Edition 01-01) to Bulletin 65

Additional Documentation:

- DASY4/5 System Handbook

Methods Applied and Interpretation of Parameters:

- Measurement Conditions:** Further details are available from the Validation Report at the end of the certificate. All figures stated in the certificate are valid at the frequency indicated.
- Antenna Parameters with TSL:** The dipole is mounted with the spacer to position its feed point exactly below the center marking of the flat phantom section, with the arms oriented parallel to the body axis.
- Feed Point Impedance and Return Loss:** These parameters are measured with the dipole positioned under the liquid filled phantom. The impedance stated is transformed from the measurement at the SMA connector to the feed point. The Return Loss ensures low reflected power. No uncertainty required.
- Electrical Delay:** One-way delay between the SMA connector and the antenna feed point. No uncertainty required.
- SAR measured:** SAR measured at the stated antenna input power.
- SAR normalized:** SAR as measured, normalized to an input power of 1 W at the antenna connector.
- SAR for nominal TSL parameters:** The measured TSL parameters are used to calculate the nominal SAR result..

Measurement Conditions

DASY system configuration, as far as not given on page 1.

DASY Version	DASY4	V4.7
Extrapolation	Advanced Extrapolation	
Phantom	Modular Flat Phantom V4.9	
Distance Dipole Center - TSL	15 mm	with Spacer
Zoom Scan Resolution	dx, dy, dz = 5 mm	
Frequency	835 MHz \pm 1 MHz	

Head TSL parameters

The following parameters and calculations were applied.

	Temperature	Permittivity	Conductivity
Nominal Head TSL parameters	22.0 °C	41.5	0.90 mho/m
Measured Head TSL parameters	(22.0 \pm 0.2) °C	41.1 \pm 6 %	0.91 mho/m \pm 6 %
Head TSL temperature during test	(21.5 \pm 0.2) °C	---	---

SAR result with Head TSL

SAR averaged over 1 cm ³ (1 g) of Head TSL	Condition	
SAR measured	250 mW input power	2.32 mW / g
SAR normalized	normalized to 1W	9.28 mW / g
SAR for nominal Head TSL parameters ¹	normalized to 1W	9.17 mW / g \pm 17.0 % (k=2)

SAR averaged over 10 cm ³ (10 g) of Head TSL	condition	
SAR measured	250 mW input power	1.53 mW / g
SAR normalized	normalized to 1W	6.12 mW / g
SAR for nominal Head TSL parameters ¹	normalized to 1W	6.07 mW / g \pm 16.5 % (k=2)

¹ Correction to nominal TSL parameters according to d), chapter "SAR Sensitivities"

Appendix

Antenna Parameters with Head TSL

Impedance, transformed to feed point	50.4 Ω - 7.6 $j\Omega$
Return Loss	-22.4 dB

General Antenna Parameters and Design

Electrical Delay (one direction)	1.377 ns
----------------------------------	----------

After long term use with 100W radiated power, only a slight warming of the dipole near the feedpoint can be measured.

The dipole is made of standard semirigid coaxial cable. The center conductor of the feeding line is directly connected to the second arm of the dipole. The antenna is therefore short-circuited for DC-signals.

No excessive force must be applied to the dipole arms, because they might bend or the soldered connections near the feedpoint may be damaged.

Additional EUT Data

Manufactured by	SPEAG
Manufactured on	March 09, 2001

DASY4 Validation Report for Head TSL

Date/Time: 19.05.2008 12:17:50

Test Laboratory: SPEAG, Zurich, Switzerland

DUT: Dipole 835 MHz; Type: D835V2; Serial: D835V2 - SN:441

Communication System: CW-835; Frequency: 835 MHz; Duty Cycle: 1:1

Medium: HSL 900 MHz;

Medium parameters used: $f = 835$ MHz; $\sigma = 0.909$ mho/m; $\epsilon_r = 41.9$; $\rho = 1000$ kg/m³

Phantom section: Flat Section

Measurement Standard: DASY4 (High Precision Assessment)

DASY4 Configuration:

- Probe: ES3DV2 - SN3025; ConvF(5.97, 5.97, 5.97); Calibrated: 28.04.2008
- Sensor-Surface: 3.4mm (Mechanical Surface Detection)
- Electronics: DAE4 Sn601; Calibrated: 14.03.2008
- Phantom: Flat Phantom 4.9L; Type: QD000P49AA; ;
- Measurement SW: DASY4, V4.7 Build 71; Postprocessing SW: SEMCAD, V1.8 Build 184

Pin=250mW; dip=15mm; dist=3.4mm/Zoom Scan (7x7x7)/Cube 0:

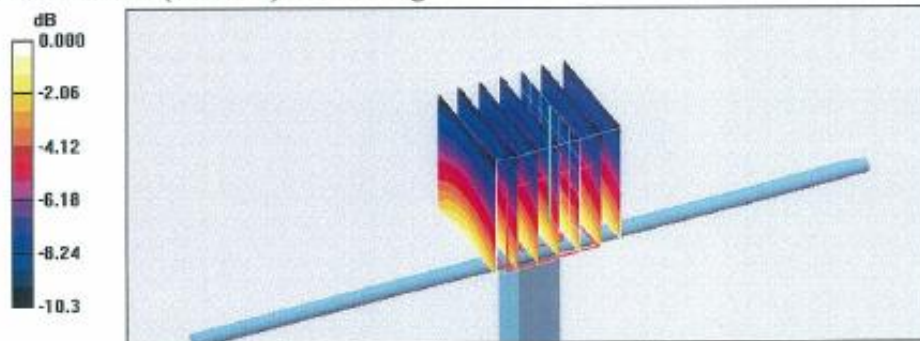
Measurement grid: dx=5mm, dy=5mm, dz=5mm

Reference Value = 55.1 V/m; Power Drift = -0.008 dB

Peak SAR (extrapolated) = 3.38 W/kg

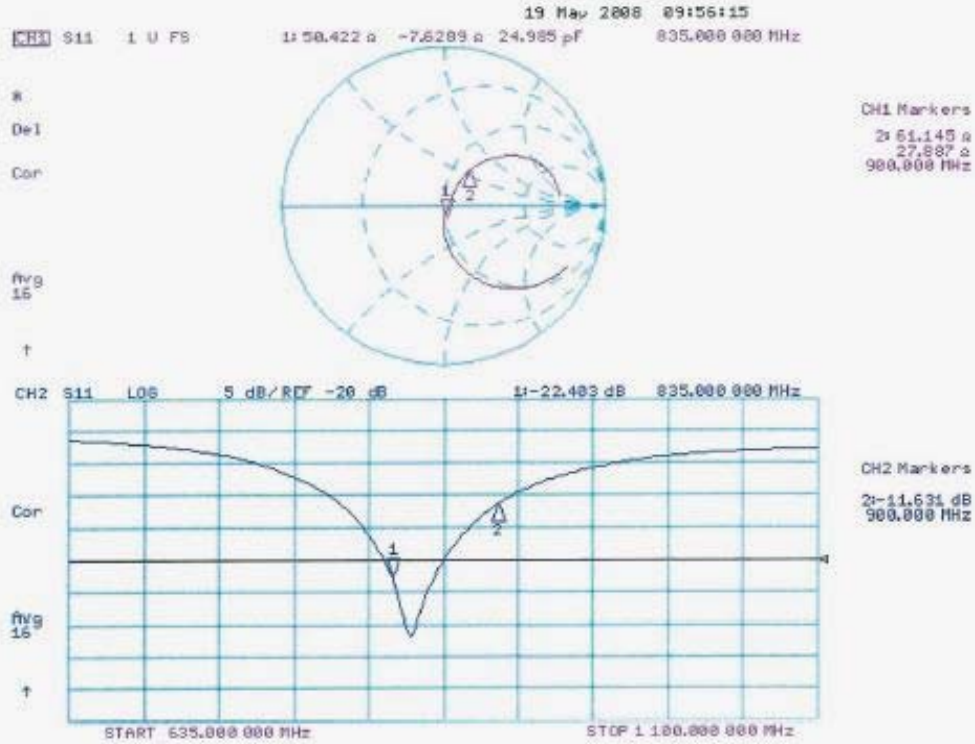
SAR(1 g) = 2.32 mW/g; SAR(10 g) = 1.53 mW/g

Maximum value of SAR (measured) = 2.62 mW/g



0 dB = 2.62mW/g

Impedance Measurement Plot for Head TSL



**Calibration Laboratory of
Schmid & Partner
Engineering AG**
Zeughausstrasse 43, 8004 Zurich, Switzerland



S Schweizerischer Kalibrierdienst
C Service suisse d'étalonnage
S Servizio svizzero di taratura
S Swiss Calibration Service

Accredited by the Swiss Accreditation Service (SAS)
The Swiss Accreditation Service is one of the signatories to the EA
Multilateral Agreement for the recognition of calibration certificates

Accreditation No.: SCS 108

Client **H-CT (Dymstec)**

Certificate No: **D1900V2-5d032-Jul08**

CALIBRATION CERTIFICATE

Object **D1900V2 - SN: 5d032**

Calibration procedure(s) **QA CAL-05.v7
Calibration procedure for dipole validation kits**

Calibration date: **July 22, 2008**

Condition of the calibrated item **In Tolerance**

This calibration certificate documents the traceability to national standards, which realize the physical units of measurements (SI).
The measurements and the uncertainties with confidence probability are given on the following pages and are part of the certificate.

All calibrations have been conducted in the closed laboratory facility: environment temperature (22 ± 3)°C and humidity < 70%.

Calibration Equipment used (M&TE critical for calibration)

Primary Standards	ID #	Cal Date (Calibrated by, Certificate No.)	Scheduled Calibration
Power meter EPM-442A	GB37480704	04-Oct-07 (No. 217-00736)	Oct-08
Power sensor HP 8481A	US37292783	04-Oct-07 (No. 217-00736)	Oct-08
Reference 20 dB Attenuator	SN: 5086 (20g)	01-Jul-08 (No. 217-00864)	Jul-09
Type-N mismatch combination	SN: 5047.2 / 06327	01-Jul-08 (No. 217-00867)	Jul-09
Reference Probe ES3DV2	SN: 3025	28-Apr-08 (No. ES3-3025_Apr08)	Apr-09
DAE4	SN: 601	14-Mar-08 (No. DAE4-601_Mar08)	Mar-09
Secondary Standards	ID #	Check Date (in house)	Scheduled Check
Power sensor HP 8481A	MY41092317	18-Oct-02 (in house check Oct-07)	In house check: Oct-09
RF generator R&S SMT-06	100005	4-Aug-99 (in house check Oct-07)	In house check: Oct-09
Network Analyzer HP 8753E	US37390585 S4206	18-Oct-01 (in house check Oct-07)	In house check: Oct-08

	Name	Function	Signature
Calibrated by:	Jelon Kastrali	Laboratory Technician	
Approved by:	Katja Pokovic	Technical Manager	

Issued: July 22, 2008

This calibration certificate shall not be reproduced except in full without written approval of the laboratory.

Calibration Laboratory of
Schmid & Partner
Engineering AG
Zeughausstrasse 43, 8004 Zurich, Switzerland



S Schweizerischer Kalibrierdienst
C Service suisse d'étalonnage
S Servizio svizzero di taratura
S Swiss Calibration Service

Accredited by the Swiss Accreditation Service (SAS)
The Swiss Accreditation Service is one of the signatories to the EA
Multilateral Agreement for the recognition of calibration certificates

Accreditation No.: **SCS 108**

Glossary:

TSL tissue simulating liquid
ConvF sensitivity in TSL / NORM x,y,z
N/A not applicable or not measured

Calibration is Performed According to the Following Standards:

- a) IEEE Std 1528-2003, "IEEE Recommended Practice for Determining the Peak Spatial-Averaged Specific Absorption Rate (SAR) in the Human Head from Wireless Communications Devices: Measurement Techniques", December 2003
- b) CENELEC EN 50361, "Basic standard for the measurement of Specific Absorption Rate related to human exposure to electromagnetic fields from mobile phones (300 MHz - 3 GHz), July 2001
- c) Federal Communications Commission Office of Engineering & Technology (FCC OET), "Evaluating Compliance with FCC Guidelines for Human Exposure to Radiofrequency Electromagnetic Fields; Additional Information for Evaluating Compliance of Mobile and Portable Devices with FCC Limits for Human Exposure to Radiofrequency Emissions", Supplement C (Edition 01-01) to Bulletin 65

Additional Documentation:

- d) DASY4/5 System Handbook

Methods Applied and Interpretation of Parameters:

- *Measurement Conditions:* Further details are available from the Validation Report at the end of the certificate. All figures stated in the certificate are valid at the frequency indicated.
- *Antenna Parameters with TSL:* The dipole is mounted with the spacer to position its feed point exactly below the center marking of the flat phantom section, with the arms oriented parallel to the body axis.
- *Feed Point Impedance and Return Loss:* These parameters are measured with the dipole positioned under the liquid filled phantom. The impedance stated is transformed from the measurement at the SMA connector to the feed point. The Return Loss ensures low reflected power. No uncertainty required.
- *Electrical Delay:* One-way delay between the SMA connector and the antenna feed point. No uncertainty required.
- *SAR measured:* SAR measured at the stated antenna input power.
- *SAR normalized:* SAR as measured, normalized to an input power of 1 W at the antenna connector.
- *SAR for nominal TSL parameters:* The measured TSL parameters are used to calculate the nominal SAR result.

Measurement Conditions

DASY system configuration, as far as not given on page 1.

DASY Version	DASY4	V4.7
Extrapolation	Advanced Extrapolation	
Phantom	Modular Flat Phantom V5.0	
Distance Dipole Center - TSL	10 mm	with Spacer
Zoom Scan Resolution	dx, dy, dz = 5 mm	
Frequency	1900 MHz \pm 1 MHz	

Head TSL parameters

The following parameters and calculations were applied.

	Temperature	Permittivity	Conductivity
Nominal Head TSL parameters	22.0 °C	40.0	1.40 mho/m
Measured Head TSL parameters	(22.0 \pm 0.2) °C	38.8 \pm 6 %	1.47 mho/m \pm 6 %
Head TSL temperature during test	(22.0 \pm 0.2) °C	----	----

SAR result with Head TSL

SAR averaged over 1 cm³ (1 g) of Head TSL	condition	
SAR measured	250 mW input power	9.82 mW / g
SAR normalized	normalized to 1W	39.3 mW / g
SAR for nominal Head TSL parameters ¹	normalized to 1W	37.7 mW / g \pm 17.0 % (k=2)

SAR averaged over 10 cm³ (10 g) of Head TSL	Condition	
SAR measured	250 mW input power	5.05 mW / g
SAR normalized	normalized to 1W	20.2 mW / g
SAR for nominal Head TSL parameters ¹	normalized to 1W	19.7 mW / g \pm 16.5 % (k=2)

¹ Correction to nominal TSL parameters according to d), chapter "SAR Sensitivities"

Appendix**Antenna Parameters with Head TSL**

Impedance, transformed to feed point	53.5 Ω + 4.9 j Ω
Return Loss	- 24.8 dB

General Antenna Parameters and Design

Electrical Delay (one direction)	1.185 ns
----------------------------------	----------

After long term use with 100W radiated power, only a slight warming of the dipole near the feedpoint can be measured.

The dipole is made of standard semirigid coaxial cable. The center conductor of the feeding line is directly connected to the second arm of the dipole. The antenna is therefore short-circuited for DC-signals.

No excessive force must be applied to the dipole arms, because they might bend or the soldered connections near the feedpoint may be damaged.

Additional EUT Data

Manufactured by	SPEAG
Manufactured on	March 17, 2003

DASY4 Validation Report for Head TSL

Date/Time: 22.07.2008 10:06:43

Test Laboratory: SPEAG, Zurich, Switzerland

DUT: Dipole 1900 MHz; Type: D1900V2; Serial: D1900V2 - SN:5d032

Communication System: CW; Frequency: 1900 MHz; Duty Cycle: 1:1

Medium: HSL U10 BB;

Medium parameters used: $f = 1900$ MHz; $\sigma = 1.47$ mho/m; $\epsilon_r = 38.8$; $\rho = 1000$ kg/m³

Phantom section: Flat Section

Measurement Standard: DASY4 (High Precision Assessment)

DASY4 Configuration:

- Probe: ES3DV2 - SN3025; ConvF(4.9, 4.9, 4.9); Calibrated: 28.04.2008
- Sensor-Surface: 3.4mm (Mechanical Surface Detection)
- Electronics: DAE4 Sn601; Calibrated: 14.03.2008
- Phantom: Flat Phantom 5.0 (front); Type: QD000P50AA; ;
- Measurement SW: DASY4, V4.7 Build 71; Postprocessing SW: SEMCAD, V1.8 Build 184

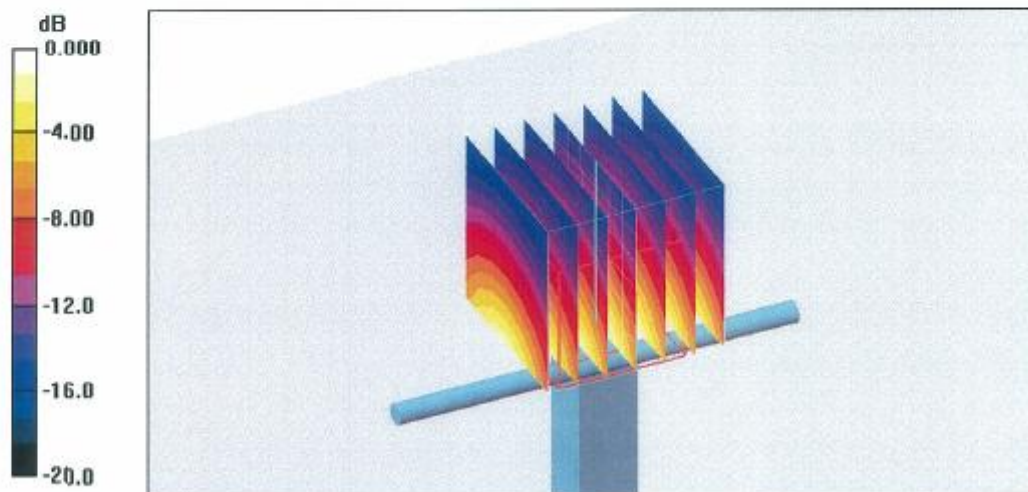
Pin = 250 mW; dip = 10 mm, scan at 3.4mm/Zoom Scan (dist=3.4mm, probe 0deg)**(7x7x7)/Cube 0: Measurement grid: dx=5mm, dy=5mm, dz=5mm**

Reference Value = 92.2 V/m; Power Drift = 0.010 dB

Peak SAR (extrapolated) = 18.2 W/kg

SAR(1 g) = 9.82 mW/g; SAR(10 g) = 5.05 mW/g

Maximum value of SAR (measured) = 11.9 mW/g



0 dB = 11.9mW/g

Impedance Measurement Plot for Head TSL

