



EMI REPORT (DoC)

Nokia Inc.

12278 Scripps Summit Drive
San Diego, CA, 92131

Date of Issue: May 4, 2006

Test Report No.: HCT-SAR06-0502

Test Site: HYUNDAI CALIBRATION & CERTIFICATION
TECHNOLOGIES CO., LTD.

FRN: 0005866421

MODEL

:

PN-E330

Classification/ Standard(s):

FCC PART 15 CLASS B / CISPR 22 CLASS B

ICES-003, RSS-132, RSS-133, RSS-210

Equipment (EUT) Type:

Dual- Mode CDMA Phone with Bluetooth (CDMA/ PCS CDMA) - Prototype

Trade Name/Model(s):

PANTECH&CURITEL / PN-E330

Port/ Connector(s)

DC Input Port / Ear Phone Port

The device bearing the trade name and model specified above, has been shown to comply with the applicable technical standards as indicated in the measurement report and was tested in accordance with the measurement procedures specified in ANSI C63.4-2003.(See Test Report if any modifications were made for compliance)

I attest to the accuracy of data. All measurements reported herein were performed by me or were made under my supervision and are correct to the best of my knowledge and belief. I assume full responsibility for the completeness of these measurements and vouch for the qualifications of all persons taking them.

HYUNDAI C-Tech. certifies that no party to application has been denied the FCC benefits pursuant to Section 5301 of the Anti-Drug Abuse of 1988,21 U.S.C.853(a).

Report prepared by : Ki-Soo Kim
Manager of Product Compliance Team



TABLE OF CONTENTS

1. GENERAL INFORMATION.....	3
1.1 Product Description	3
1.2 Related Submittal(s) / Grant(s)	3
1.2 Tested System Details	4
1.3 Test Methodology.....	4
1.4 Test Facility.....	4
2.SYSTEM TEST CONFIGURATION	5
2.1 Configuration of Test system	5
3. CONDUCTED AND RADIATED EMISSION TESTS SUMMARY	6
3.1 Conducted Emissions Tests.....	6
3.2 Radiated Emissions Tests	9
3.3.1 Conducted Radiated Emission	10
3.3.2 Radiated Emission.....	11
4. Field Strength Calculation	12
5. Test Equipment	13
6. Conclusion	14

1. GENERAL INFORMATION

1.1 Product Description

The **PANTECH&CURITEL COMMUNICATION, INC. PN-E330** Dual- Mode CDMA Phone with Bluetooth. Its basic purpose is used for communications. It transmits from CDMA (824.70~848.31), PCS CDMA (1851.25~1908.75) MHz and receives from CDMA (869.70~893.31), PCS CDMA (1931.25~1988.75) MHz. The RF power is rated at CDMA (0.291 W), PCS CDMA (0.265 W).

FCC ID	PP4PN-E330
EUT Type	Dual- Mode CDMA Phone with Bluetooth (CDMA/ PCS CDMA) - Prototype
Model	PN-E330
TX Frequency	824.70 — 848.31 MHz (CDMA) 1851.25 — 1908.75 MHz (PCS CDMA)
RX Frequency	869.70 — 893.31 MHz (CDMA) 1931.25 — 1988.75 MHz (PCS CDMA)
FCC Classification	Licensed Portable Transmitter Held to Ear (PCE)
Max RF. Output Power	0.291 W ERP CDMA (24.6 dBm) 0.265 EIRP PCS CDMA (24.2 dBm)
Modulation	CDMA/ PCS CDMA

1.2 Related Submittal(s) / Grant(s)

ORIGINAL SUBMITTAL ONLY

1.2 Tested System Details

The Model names for all equipment, plus descriptions used in the tested system (including inserted cards) are:

DEVICE TYPE	MANUFACTURER	MODEL NUMBER/ PART NUMBER	FCC ID / DoC	CONNECTED TO
CDMA Phone	PANTECH&CURITEL	PN-E330	PP4PN-E330	Adaptor/ P.C
Adaptor	PANTECH&CURITEL	PTA-5010C6US	N/A	CDMA Phone
Head-Set	PANTECH&CURITEL	-	N/A	EUT
USB CABLE	PANTECH&CURITEL	PDC-UD-C5	N/A	Notebook P.C
Notebook P.C	TOSHIBA	PSA50K-04007	DoC	N/A
Adapter	TOSHIBA	ADP-60RH A	DoC	Notebook P.C
MOUSE	H.P	M-S48a	DoC	P.C
PRINTER	H/P	C4569A	DoC	P.C

1.3 Test Methodology

Both conducted and radiated testing were performed according to the procedures in ANSI C63.4/1992. Radiated testing was performed at an antenna to EUT distance of 3 meters.

1.4 Test Facility

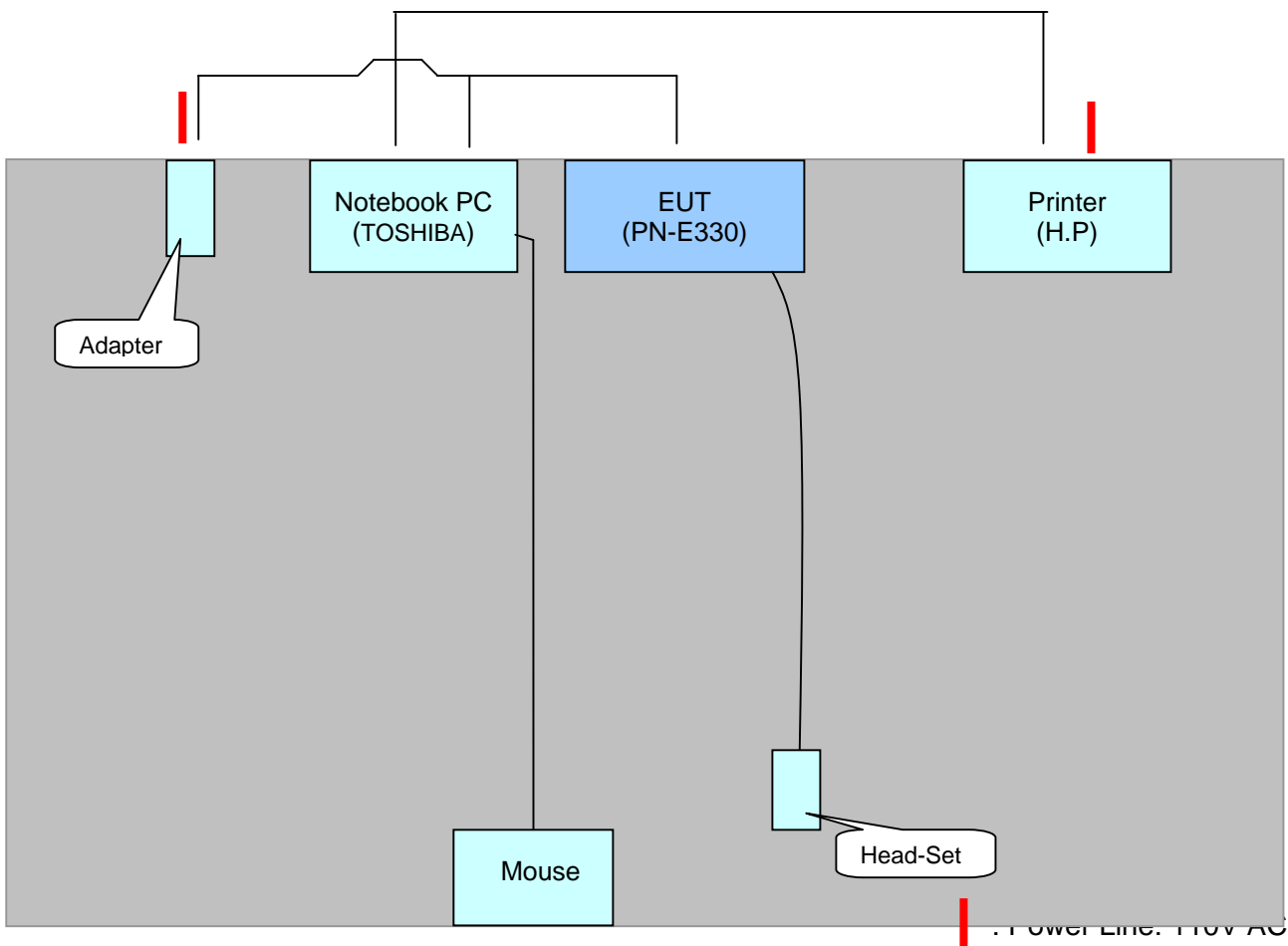
The open area test site and conducted measurement facility used to collect the radiated data are located at the 254-1, Maekok-Ri, Hobup-Myun, Ichon-Si, Kyoungki-Do, 467-701, KOREA. The site is constructed in conformance with the requirements of ANSI C63.4 and CISPR Publication 22. Detailed description of test facility was submitted to the Commission and accepted dated July 23, 2003(Registration Number: 90661)

2.SYSTEM TEST CONFIGURATION

2.1 Configuration of Test system

Line Conducted Test : EUT was connected to LISN, all other supporting equipment were Connected to another LISN. Preliminary Power line Conducted Emission tests were performed by using the procedure in ANSI C63.4/2003 7.2.3 to determine the worse operating conditions.

Radiated Emission Test : Preliminary Radiated Emissions tests were conducted using the procedure in ANSI C63.4/2003 8.3.1.1 to determine the worse perating condition. Final Radiated Emission tests were conducted at 3 meter open area test site.



[Configuration of Tested System]

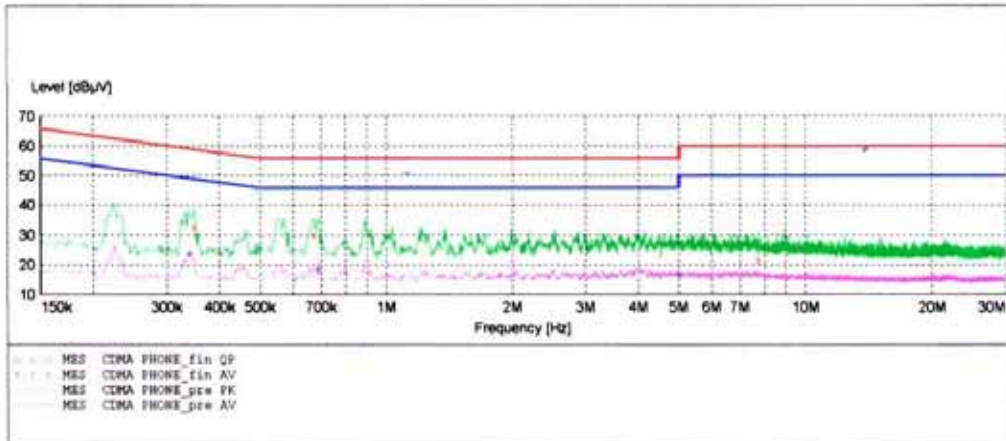
HCT

EMC TEST LAB

EUT: CDMA PHONE
 Manufacturer: PANTECH & CURITEL
 Operating Condition: NORMAL
 Test Site: SHIELD ROOM
 Operator: KEUN-HO PARK
 Test Specification: CISPR 22 CLASS B
 Comment: H

SCAN TABLE: "CISPR 22 Voltage"

Short Description:			CISPR 22 Voltage			
Start Frequency	Stop Frequency	Step Width	Detector	Meas. Time	IF Bandw.	Transducer
150.1 kHz	500.0 kHz	2.5 kHz	MaxPeak	10.0 ms	9 kHz	None
500.0 kHz	5.0 MHz	5.0 kHz	Average	10.0 ms	9 kHz	None
5.0 MHz	30.0 MHz	5.0 kHz	MaxPeak	10.0 ms	9 kHz	None
			Average			



MEASUREMENT RESULT: "CDMA PHONE_fin QP"

4/27/2006 8:06PM

Frequency MHz	Level dBµV	Transd dB	Limit dBµV	Margin dB	Line	PE
0.347600	32.60	10.1	59	26.4	---	---
0.670000	30.30	10.2	56	25.7	---	---
7.725000	21.90	10.3	60	38.1	---	---

MEASUREMENT RESULT: "CDMA PHONE_fin AV"

4/27/2006 8:06PM

Frequency MHz	Level dBµV	Transd dB	Limit dBµV	Margin dB	Line	PE
0.340100	23.60	10.1	49	25.6	---	---
0.690000	18.20	10.2	46	27.8	---	---
5.000000	17.10	10.3	46	28.9	---	---

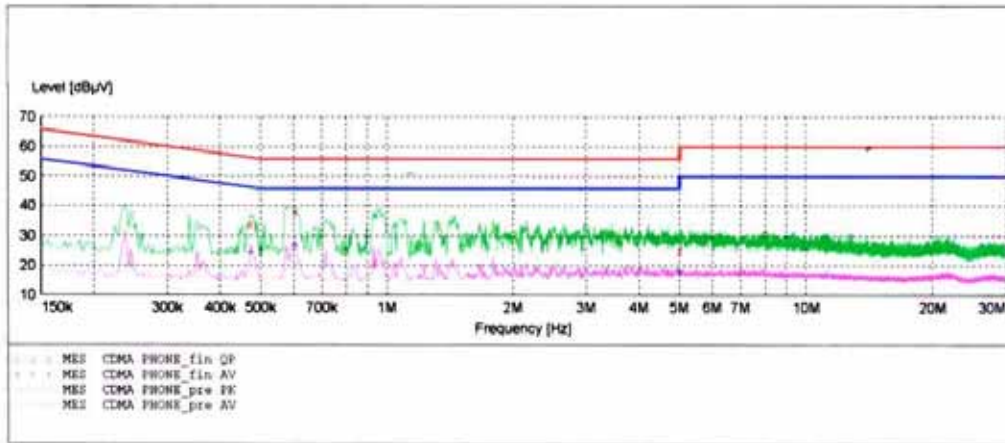
HCT

EMC TEST LAB

EUT: CDMA PHONE
 Manufacturer: PANTECH & CURITEL
 Operating Condition: NORMAL
 Test Site: SHIELD ROOM
 Operator: KEUN-HO PARK
 Test Specification: CISPR 22 CLASS B
 Comment: N

SCAN TABLE: "CISPR 22 Voltage"

Short Description:			CISPR 22 Voltage			
Start Frequency	Stop Frequency	Step Width	Detector	Meas. Time	IF Bandw.	Transducer
150.1 kHz	500.0 kHz	2.5 kHz	MaxPeak	10.0 ms	9 kHz	None
500.0 kHz	5.0 MHz	5.0 kHz	Average	10.0 ms	9 kHz	None
5.0 MHz	30.0 MHz	5.0 kHz	MaxPeak	10.0 ms	9 kHz	None
			Average			



MEASUREMENT RESULT: "CDMA PHONE_fin QP"

4/27/2006 8:20PM

Frequency MHz	Level dBµV	Transd dB	Limit dBµV	Margin dB	Line	PE
0.475100	33.90	10.1	56	22.6	---	---
0.605000	38.10	10.2	56	17.9	---	---
5.000000	25.00	10.3	56	31.0	---	---

MEASUREMENT RESULT: "CDMA PHONE_fin AV"

4/27/2006 8:20PM

Frequency MHz	Level dBµV	Transd dB	Limit dBµV	Margin dB	Line	PE
0.475100	24.50	10.1	46	21.9	---	---
0.605000	26.70	10.2	46	19.3	---	---
5.000000	18.30	10.3	46	27.7	---	---

3.2 Radiated Emissions Tests

The following table shows the highest levels of Radiated Emissions on both polarization of horizontal and vertical.

=====
 Limit apply to : FCC PART 15 CLASS B
 Result : PASSED - 7.5 dB
 Operating Condition : Idle/ USB Data Transfer

Detector : Quasi-Peak (Bandwidth: 120 KHz)

Frequency MHz	Reading dBuV	Ant. Factor dB	Cable Loss dB	ANT POL (H/V)	Total dBuV/m	Limit dBuV/m	Margin dB
85.40	20.1	8.0	2.1	V	30.1	40	-9.9
97.00	23.3	9.7	2.2	V	35.2	43.5	-8.3
263.50	17.0	17.8	3.7	V	38.5	46	-7.5
294.70	12.9	19.3	4.0	V	36.2	46	-9.8
325.60	17.0	16.3	4.1	V	37.5	46	-8.5
389.40	15.1	16.8	4.5	V	36.5	46	-9.5
452.10	11.2	18.4	4.9	V	34.5	46	-11.5
263.50	14.1	17.8	3.7	H	35.6	46	-10.4
294.70	12.1	19.3	4.0	H	35.4	46	-10.6
325.60	17.0	16.3	4.1	H	37.5	46	-8.5
356.90	15.8	16.5	4.3	H	36.6	46	-9.4
427.40	12.7	17.7	4.7	H	35.2	46	-10.8

Detector : Average (Bandwidth: 1MHz)

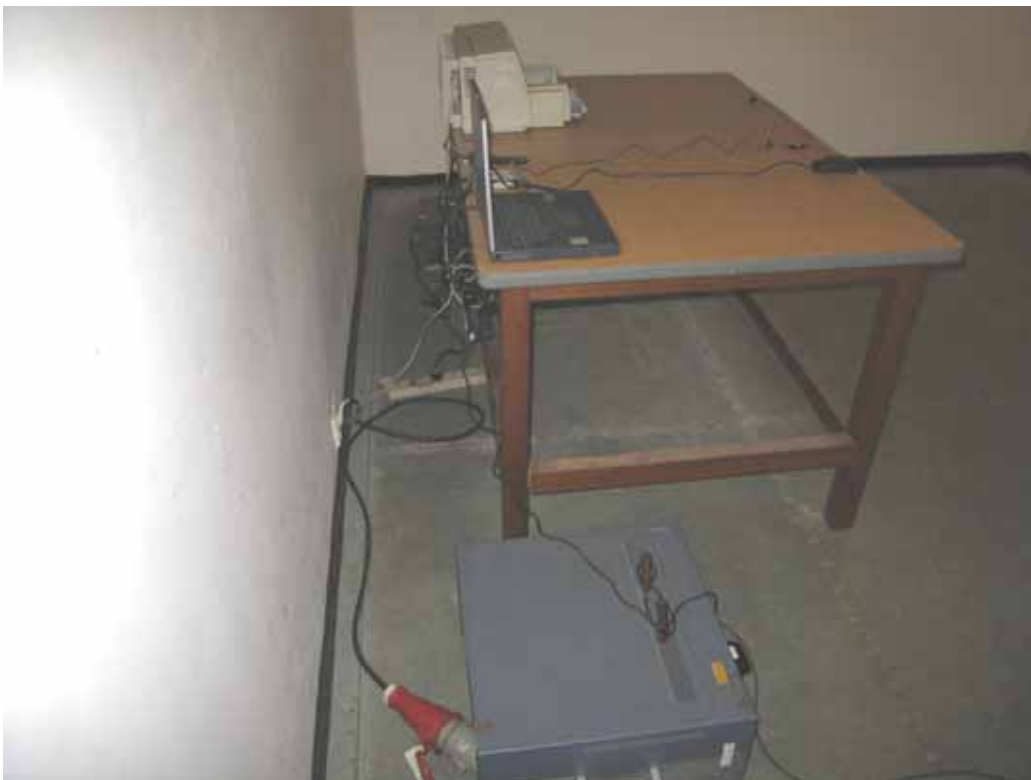
Frequency MHz	Reading dBuV	Ant. Factor dB	Cable Loss dB	ANT POL (H/V)	Total dBuV/m	Limit dBuV/m	Margin dB
1763.02	12.2	24.3	6.7	V	43.2	54	-10.8
1741.98	11.3	25.0	6.6	V	42.9	54	-11.1



Measured by : Keun-Ho Park / Engineer

Date : April 27, 2006

3.3.1 Conducted Radiated Emission



3.3.2 Radiated Emission



4.1 Field Strength Calculation

The field strength is calculated by adding the Antenna Factor and Cable Factor.
The basic equation with a sample calculation is as follows:

$$FS = RA + AF + CF$$

where FS = Field Strength

RA = Receiver Amplitude

AF = Antenna Factor

CF = Cable Attenuation Factor

Assume a receiver reading of 21.5 dBuV is obtained. The Antenna Factor of 7.4 and a Cable Factor of 1.1 is added. The 30 dBuV/m value was mathematically converted to its corresponding level in uV/m.

$$FS = 21.5 + 7.4 + 1.1 = 30 \text{ dBuV/m}$$

$$\text{Level in uV/m} = \text{Common Antilogarithm} [(30 \text{ dBuV/m})/20] = 31.6 \text{ uV/m}$$

5.1 Test Equipment

Type	Manufacture	Model Number	CAL Date
EMI Test Receiver	Rohde & Schwarz	ESI40	2005.11.16
EMI Test Receiver	Rohde & Schwarz	ESVS30	2005.07.16
LISN	Rohde & Schwarz	ESH2-Z5	2005.07.28
LISN	EMCO	ESH3-Z5	2005.07.28
Attenuator	Rohde & Schwarz	ESH3-Z2	2005.11.16
Amplifier	Hewlett-Packard	8447E	2005.08.23
TRILOG Antenna	Schwarzbeck	9160	2006.04.06
Antenna Position Tower	EMCO	1051-12	N/A
Turn Table	EMCO	1060-06	N/A
Power Analyzer	Voltech	PM 3300	2006.02.15
Reference Network Impedance	Voltech	IEC 555	N/A
AC Power Source	PACIFIC	Magnetic Module	N/A
AC Power Source	PACIFIC	360-AMX	2005.11.25
Controller	HD GmbH	HD 100	N/A
SlideBar	HD GmbH	KMS 560	N/A

6.1 Conclusion

The data collected shows that the PANTECH&CURITEL COMMUNICATIONS, INC. Dual- Mode CDMA Phone. FCC ID: PP4PN-E330. Complies with §15.107 and §15.109 of the FCC Rules.