



HYUNDAI CALIBRATION & CERTIFICATION TECH. CO., LTD.

PRODUCT COMPLIANCE DIVISION
SAN 136-1, AMI-RI, BUBAL-EUP, ICHEON-SI, KYOUNGKI-DO, 467-701, KOREA
TEL: +82 31 639 8518 FAX: +82 31 639 8525 www.hct.co.kr



CERTIFICATE OF COMPLIANCE

FCC Part 24 & 22 Certification

PANTECH&CURITEL COMMUNICATIONS, INC.

8F, PEERES BLDG, 222, CHUNGJEONGNO 3-GA,
SEODAEMUN-GU, 120-708, KOREA

FRN: 0006278469

Date of Issue: February 20, 2006

Test Report No.: HCT-SAR06-0209

Test Site: HYUNDAI CALIBRATION & CERTIFICATION
TECHNOLOGIES CO., LTD.

FRN: 0005866421

FCC ID :

PP4PN-315

APPLICANT :

PANTECH&CURITEL COMMUNICATIONS, INC.

EUT Type: Dual-Mode CDMA Phone (CDMA/ PCS CDMA) - Prototype
Tx Frequency: 824.70 — 848.31 MHz (CDMA)
1851.25 — 1908.75 MHz (PCS CDMA)
Rx Frequency: 869.70 — 893.31 MHz (CDMA)
1931.25 — 1988.75 MHz (PCS CDMA)
1931.25 — 1988.75 MHz (PCS CDMA)
Max. RF Output Power: 0.308W ERP CDMA (24.9dBm)
0.283W EIRP PCS CDMA (24.5dBm)
Trade Name/Model(s): PANTECH&CURITEL / PN-315
FCC Classification: Licensed Portable Transmitter Held to Ear (PCE)
Application Type: Certification
FCC Rule Part(s): §24(E), §22(H), §2
Maximum SAR: 1.24 W/kg CDMA Head SAR / 0.937 W/kg CDMA Body SAR
1.25 W/kg PCS CDMA Head SAR / 1.1 W/kg PCS CDMA Body SAR
Antenna Specifications: Manufacturer: ACE TECHNOLOGY
MODEL: PN-315 (Length= 90.5 mm ±1.0 mm)
Emission Designator(s): 1M28F9W

This equipment has been shown to be capable of compliance with the applicable technical standards as indicated in the measurement report and was tested in accordance with the measurement procedures specified in § 2.947.

I attest to the accuracy of data. All measurements reported herein were performed by me or were made under my supervision and are correct to the best of my knowledge and belief. I assume full responsibility for the completeness of these measurements and vouch for the qualifications of all persons taking them.

Hyundai C-Tech Co., Ltd. Certifies that no party to this application has been denied FCC benefits pursuant to section 5301 of the Anti- Drug Abuse Act of 1998, 21 U.S. C. 853(a)

Ki Soo Kim

Report prepared by: **Ki-Soo Kim**

Manager of Product Compliance Team



This report only responds to the tested sample and may not be reproduced, except in full, without written approval of the HCT Co., Ltd.

Table of Contents

| | |
|---|-------|
| ATTACHMENT A: COVER LETTER(S) | |
| ATTACHMENT B: ATTESTATION STATEMENT(S) | |
| ATTACHMENT C: TEST REPORT | |
| 1.1 SCOPE ----- | 3 |
| 2.1 INTRODUCTION ----- | 4 |
| 3.1 INSERTS PER §2.1033(d)----- | 5 |
| 4.1 DESCRIPTION OF TESTS----- | 6-12 |
| 5.1 EFFECTIVE RADIATED POWER OUTPUT ----- | 13 |
| 6.1 EQUIVALENT ISOTROPIC RADIATED POWER----- | 14 |
| 7.1 RADIATED MEASUREMENTS----- | 15-20 |
| 8.1 FREQUENCY STABILITY ----- | 21-22 |
| 9.1 PLOTS OF EMISSIONS----- | 23 |
| 10.1 LIST OF TEST EQUIPMENT ----- | 24 |
| 11.1 SAMPLE CALCULATIONS ----- | 25 |
| 12.1 CONCLUSION----- | 26 |
| ATTACHMENT D: TEST PLOTS | |
| ATTACHMENT E: FCC ID LABEL & LOCATION | |
| ATTACHMENT F: TEST SETUP PHOTOGRAPHS | |
| ATTACHMENT G: EXTERNAL PHOTOGRAPHS | |
| ATTACHMENT H: INTERNAL PHOTOGRAPHS | |
| ATTACHMENT I: BLOCK DIAGRAM (S) | |
| ATTACHMENT J: CIRCUIT DIAGRAMS & DESCRIPTION | |
| ATTACHMENT K: PARTS LIST | |
| ATTACHMENT L: OPERATIONAL DESCRIPTION | |
| ATTACHMENT M: USER'S MANUAL | |
| ATTACHMENT N: SAR MEASUREMENT REPORT | |
| ATTACHMENT O: SAR TEST DATA | |
| ATTACHMENT P: SAR TEST SETUP PHOTOGRAPHS | |
| ATTACHMENT Q: DIPOLE VALIDATION | |
| ATTACHMENT R: PROBE CALIBRATION | |
| ATTACHMENT S: DIPOLE CALIBRATION | |
| ATTACHMENT T: EMI TEST REPORT | |

MEASUREMENT REPORT

1.1 SCOPE

Measurement and determination of electromagnetic emissions (EME) of radio frequency devices including intentional and/or unintentional radiators for compliance with the technical rules and regulations of the Federal Communications Commission.

General Information

| | |
|---------------|--|
| Company Name: | PANTECH&CURITEL COMMUNICATIONS, INC. |
| Address: | 8F, PEERES BLDG, 222, CHUNGJEONGNO 3-GA, SEODAEMUN-GU, 120-708, KOREA |
| Attention: | KI YEOUL, LEE |
| Tel. / Fax : | 82-2-6353-0109 / 82-2-6378-5501 |
| E-Mail : | leekiyeoul@pantech.com |

- FCC ID: PP4PN-315
- Quantity: Quantity production is planned
- EUT Type: Dual-Mode CDMA Phone (CDMA/ PCS CDMA) - Prototype
- Trade Name: PANTECH&CURITEL
- Model(s): PN-315
- Serial Number(s): PP4PN-31520060200001
- Emission Designator(s): 1M28F9W
- Tx Frequency: 824.70 – 848.31 MHz (CDMA)
1851.25 – 1908.75 MHz (PCS CDMA)
- Rx Frequency: 869.70 – 893.31 MHz (CDMA)
1931.25 – 1988.75 MHz (PCS CDMA)
- Application Type: Certification
- FCC Classification: Licensed Portable Transmitter Held to Ear (PCE)
- FCC Rule Part(s): §24(E), §22(H), §2
- Modulation(s): CDMA/ PCS CDMA
- Antenna Type: Retractable (Retracted/Extended)
- Max RF. Output Power: 0.308W ERP CDMA (24.9dBm)
0.283W EIRP PCS CDMA (24.5dBm)
- Date(s) of Tests: February 16, 2006 – February 17, 2006
- Place of Tests: Hyundai C-Tech. EMC Lab.
Icheon, Kyounki-Do, KOREA
- Report Serial No.: HCT-SAR06-0209



Figure 1. SAR System

¹ Specific Absorption Rate (SAR) is a measure of the rate of energy absorption due to exposure to an RF transmitting source (wireless portable device).

² IEEE/ANSI Std. C95.1-1992 limits are used to determine compliance with FCC ET Docket 93-62.

2.1 INTRODUCTION

EUT DESCRIPTION

The **PANTECH&CURITEL COMMUNICATIONS, INC. PN-315** Dual-Mode (CDMA/ PCS CDMA) phone. Its basic purpose is used for communications. It transmits from CDMA (824.70~848.31), PCS CDMA (1851.25~1908.75) MHz and receives from CDMA (869.70~893.31), PCS CDMA (1931.25~1988.75) MHz. The RF power is rated at CDMA (0.308 W), PCS CDMA (0.283 W).

MEASURING INSTRUMENT CALIBRATION

The measuring equipment, which was utilized in performing the tests documented herein, has been calibrated in accordance with the manufacturer's recommendations for utilizing calibration equipment, which is traceable to recognized national standards.

Test Facility

The open area test site and conducted measurement facility used to collect the radiated data are located at the 254-1, Maekok-Ri, Hobup-Myun, Ichon-Si, Kyoungki-Do, 467-701, KOREA. The site is constructed in conformance with the requirements of ANSI C63.4 and CISPR Publication 22. Detailed description of test facility was submitted to the Commission and accepted dated July 23, 2003(Registration Number: 90661)

3.1 INSERTS

Function of Active Devices (Confidential)

The Function of active devices are shown in Attachment K.

Block/Circuit Diagrams & Description (Confidential)

The circuit diagrams & description are shown in Attachment J, and the block diagrams are shown in Attachment I.

Operating Instructions

The instruction manual is shown in Attachment M.

Parts List & Tune-Up Procedure (Confidential)

The parts list & tune-up procedure are shown in Attachment L.

Description of Freq. Stabilization Circuit (Confidential)

The description of frequency stabilization circuit is shown in Attachment K.

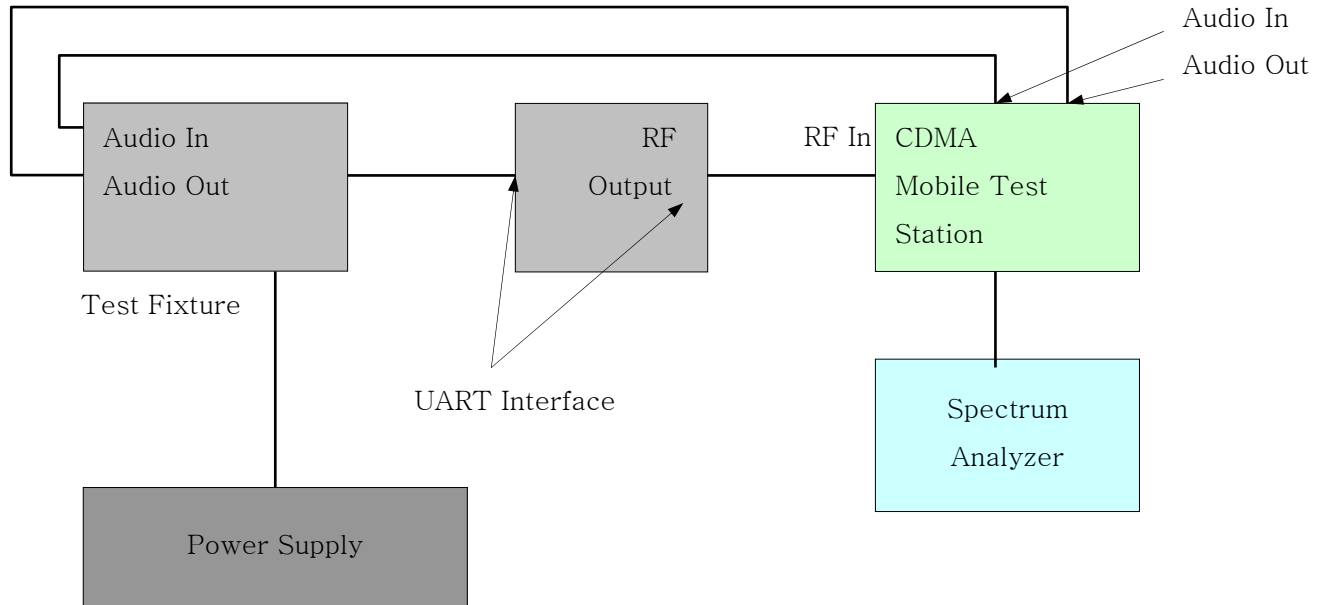
Description for Suppression of Spurious Radiation, for Limiting Modulation, and Harmonic Suppresion Circuits (Confidential)

The description of suppression stabilization circuits are shown in Attachment K

4.1 DESCRIPTION OF TESTS

4.1 RF Power output.

Test Set-up



UART Interface: The UART Interface has a serial communication link and RF Interface port that can be used to test , debug or upgrade the phone's functions and characteristics.

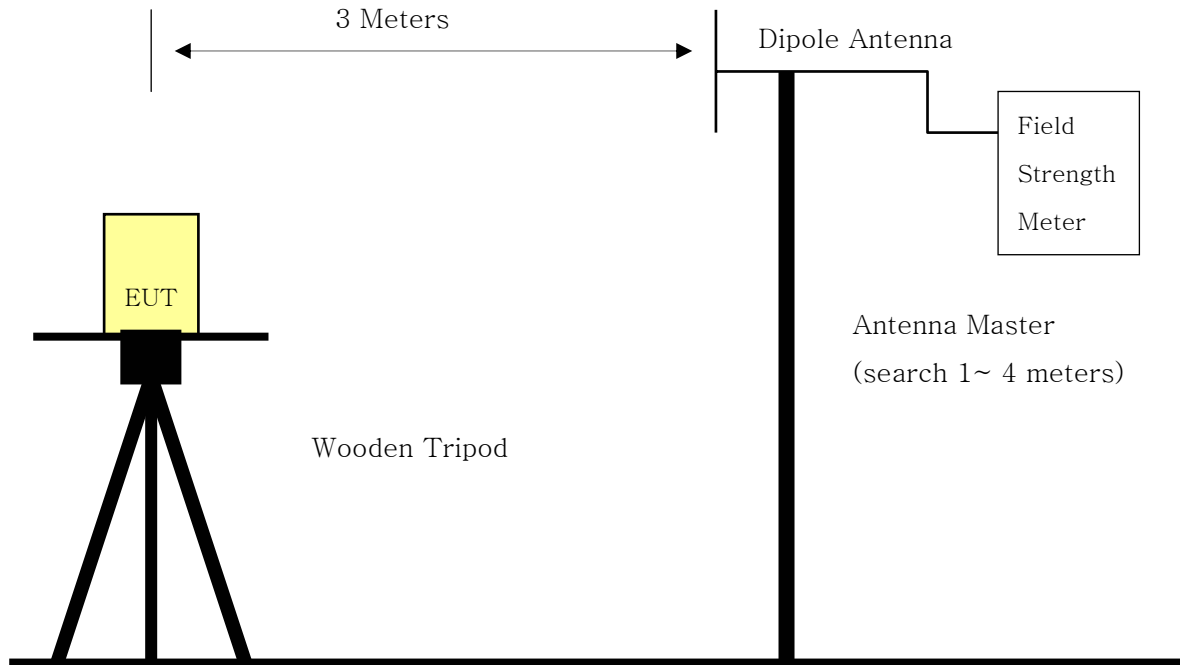
EUT : Equipment Under Test

Test Procedure

The power is read at the specturm anlyzer through the duplex port of CDMA mobile test station.
RF power output is measured at the RF output terminal (UART Interface) on the bottom side of the EUT.

4.2 Effective Radiated Power.

Test Set-up



Open Field Test Site

Test Procedure

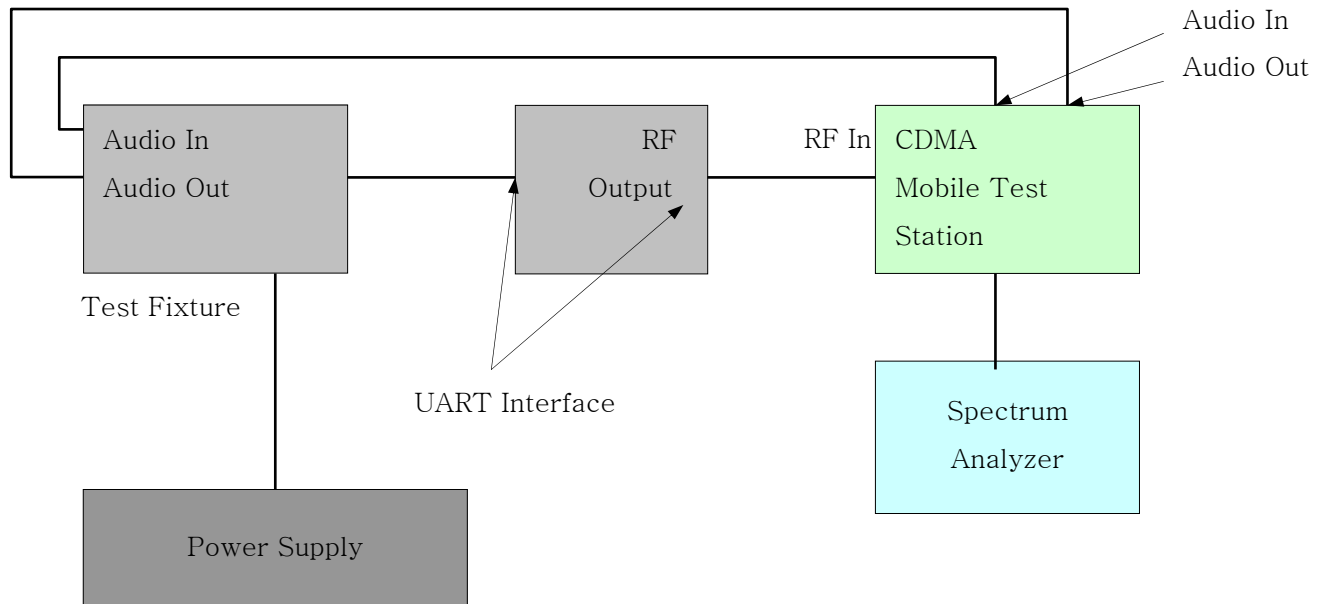
The measurement facilities used for this test have been documented in previous filings with the commission pursuant to section 2.948.

The open field test site is situated in open field with ground screen whose site attenuation characteristics meet ANSI C63.4 –1992. A mast capable of lifting the receiving antenna from a height of one to four meters is used together with a rotatable wooden platform mounted at three from the antenna mast.

- 1) The EUT mounted on a wooden tripod is 0.8 meter above test site ground level.
- 2) During the test, the turn table is rotated and the antenna height is also varied from 1 to 4 meters until the maximum signal is found.
- 3) Record the field strength meter's level.
- 4) Replace the EUT with $\lambda / 2$ dipole antenna that is connected to a calibrated signal generator.
- 5) Increase the signal generator output till the field strength meter's level is equal to the item(4).
- 6) The signal generator output level is the rating of effective radiated power(ERP).
- 7) The instrument settings used (RBW/ VBW) during ERP/ EIRP output power measurement are as Below;
 - . Below 1GHz: RBW 3MHz, VBW 3MHz
 - . Above 1GHz: RBW 3MHz, VBW 3MHz

4.3 Occupied bandwidth.

Test Set-up



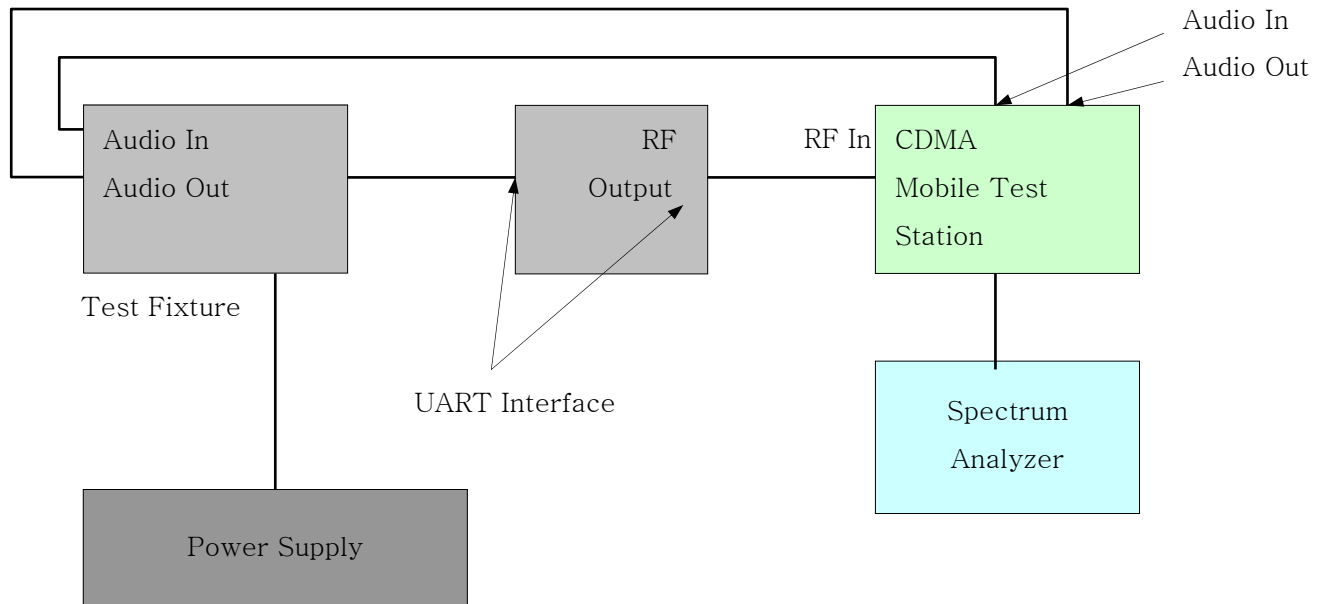
UART Interface: The UART Interface has a serial communication link that can be used to test , debug or upgrade the phone's functions and characteristics.

Test Procedure

1. F3E radiotelephony mode.
 - 1) The audio generator is set on the frequency of maximum audio response of the audio modulating circuit and its level adjusted for 50% modulation.
 - 2) Increase the audio level 16 dB greater than that necessary to produce 50 percent modulation and change the audio frequency to 2,500 Hz tone.
 - 3) The occupied bandwidth is drawn from the spectrum analyzer display.
2. F1D wideband data mode.
 - 1) Select the TX data test mode pursuant to "Tune-up procedure ".
 - 2) The occupied bandwidth is drawn from the spectrum analyzer display.
3. F3D supervisory audio tone mode.
 - 1) Select the supervisory tone test mode pursuant to "Tune-up procedure ".
 - 2) The occupied bandwidth is drawn from the spectrum analyzer display.
4. F3D signalling tone mode.
 - 1) Select the signalling audio tone test mode pursuant to "Tune-up procedure ".
 - 2) The occupied bandwidth is drawn from the spectrum analyzer display.

4.4 Spurious and Harmonic Emissions at Antenna Terminal.

Test Set-up

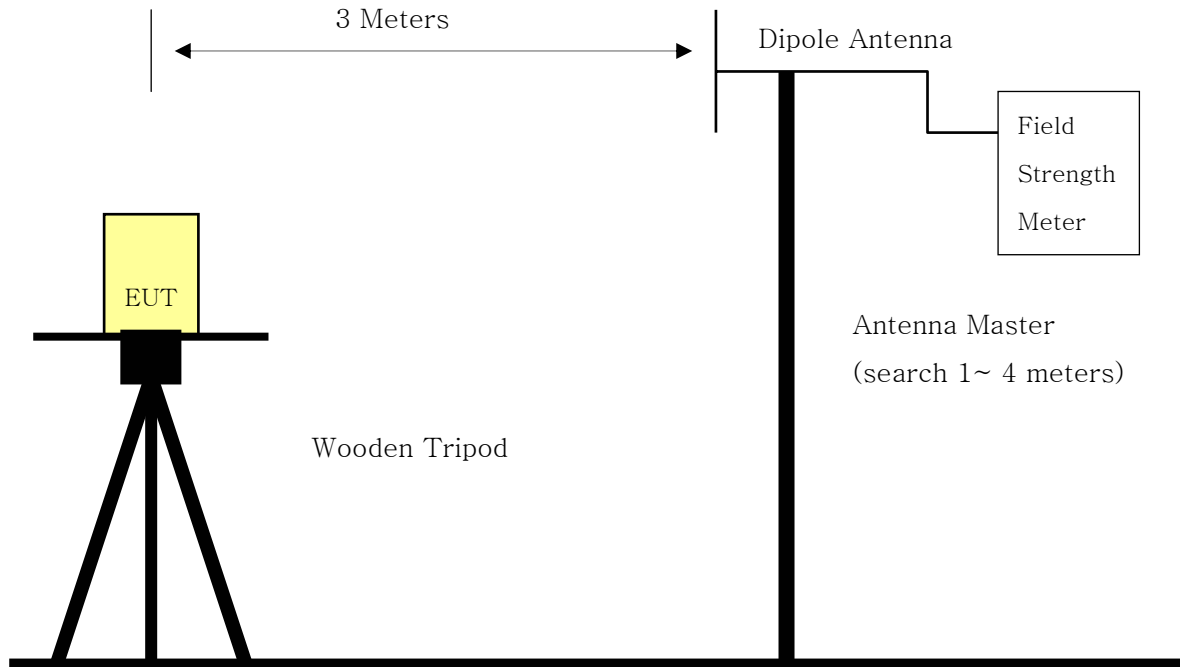


Test Procedure

The level of the carrier and the various conducted spurious and harmonic frequencies is measured by means of a calibrated spectrum analyzer. The spectrum is scanned from the lowest frequency generated in the equipment up to 10 GHz. The transmitter is modulated with a 2500Hz tone at a level of 16dB greater than that required to provide 50% modulation. At the input terminals of the spectrum analyzer, an isolator (RF circulator with one port terminated with 50 ohms) and an 870 MHz to 890 MHz bandpass filter is connected between the test transceiver (for conducted tests) or the receive antenna (for radiated tests) and the analyzer. The rejection of the bandpass filter to signals in the 825 — 845 MHz range is adequate to limit the transmit energy from the test transceiver which appears to a level which will allow the analyzer to measure signals less than —90dBm. Calibration of the test receiver is performed in the 870 — 890 MHz range to insure accuracy to allow variation in the bandpass filter insertion loss to be calibrated.

4.5 Field strength of spurious radiation .

Test Set-up



Open Field Test Site

Test Procedure

The measurement facilities used for this test have been documented in previous filings with the commission pursuant to section 2.948.

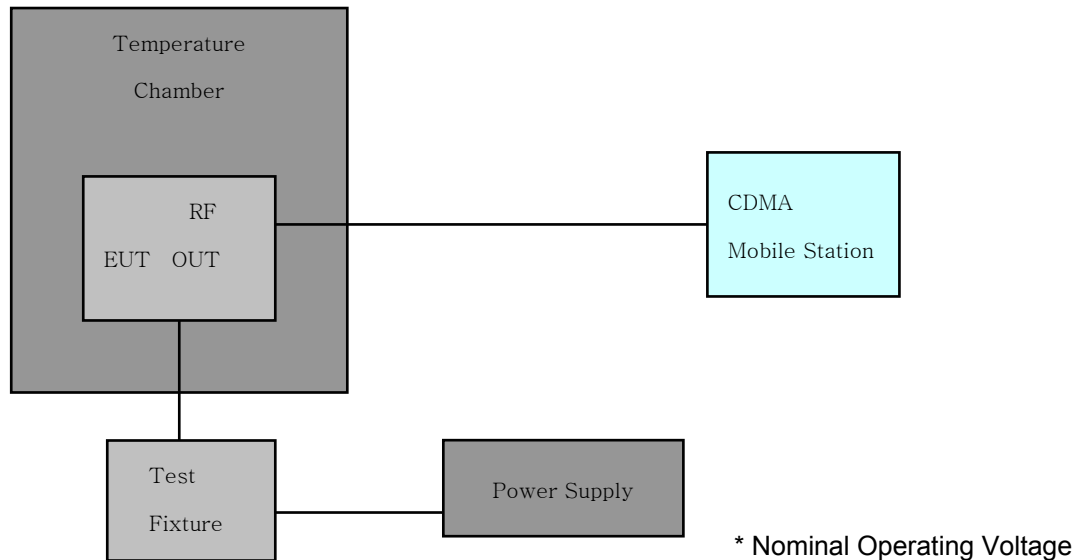
The open field test site is situated in open field with ground screen whose site attenuation characteristics meet ANSI C63.4 –1992. A mast capable of lifting the receiving antenna from a height of one to four meters is used together with a rotatable wooden platform mounted at three from the antenna mast.

- 1) The unit mounted on a wooden table $1.5\text{m} \times 1.0\text{m} \times 0.80$ is 0.8 meter above test site ground level.
- 2) During the emission test , the turntable is rotated and the EUT is manipulated to find the configuration resulting in maximum emission under normal condition of installation and operation.
- 3) The antenna height and polarization are also varied from 1 to 4 meters until the maximum signal is found.
- 4) The spectrum shall be scanned up to the 10th harmonic of the fundamental frequency.
- 5) The instrument settings used (RBW/ VBW) during ERP/ EIRP output power measurement are as follows ;
 - . Below 1GHz : RBW 3MHz, VBW 3MHz
 - . Above 1GHz : RBW 3MHz, VBW 3MHz

4.6 Frequency stability .

4.6.1 Frequency stability with variation of ambient temperature.

Test Set-up



Test Procedure

The frequency stability of the transmitter is measured by:

- Temperature:** The temperature is varied from -30 °C to +60 °C using an environmental chamber.
- Primary Supply Voltage:** The primary supply voltage is varied from 85% to 115% of the voltage normally at the input to the device or at the power supply terminals if cables are not normally supplied.

Specification — The frequency stability shall be sufficient to ensure that the fundamental emission stays within the authorized frequency block. The frequency stability of the transmitter shall be maintained within ± 0.0001 (± 1 ppm) of the center frequency.

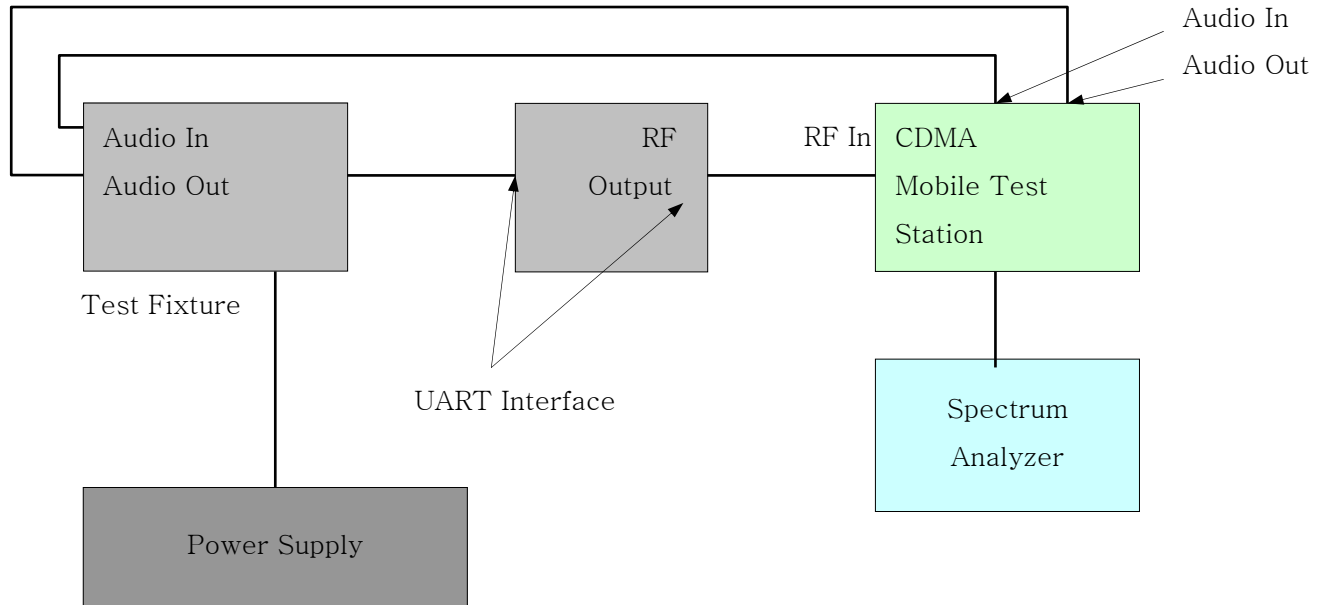
Time Period and Procedure:

- The carrier frequency of the transmitter and the individual oscillators is measured at room temperature (25 °C to 27 °C to provide a reference).
- The equipment is subjected to an overnight "soak" at -30 °C without any power applied.
- After the overnight "soak" at 30 °C (usually 14-16 hours), the equipment is turned on in a "standby" condition for one minute before applying power to the transmitter. Measurement of the carrier frequency of the transmitter and the individual oscillators is made within a three minute interval after applying power to the transmitter.
- Frequency measurements are made at 10 °C interval up to room temperature. At least a period of one and one half-hour is provided to allow stabilization of the equipment at each temperature level.
- Again the transmitter carrier frequency and the individual oscillators is measured at room temperature to begin measurement of the upper temperature levels.
- Frequency were made at 10 intervals starting at 30 °C up to +50 °C allowing at least two hours at each temperature for stabilization. In all measurements the frequency is measured within three minutes after applying power to the transmitter.
- The artificial load is mounted external to the temperature chamber.

NOTE: The EUT is tested down to the battery endpoint.

4.6.2 Frequency stability with variation of primary supply voltage.

Test Set-up



Test Procedure

- 1) The primary supply is varied in steps of 5% from 85 to 115% of the nominal supply voltage, or reduce primary supply voltage to the battery operating end point.
- 2) The frequency is recorded each 5% step.

5.1 Test Data

5.2 Effective Radiated Power Output (CDMA)

Radiated measurements at 3 meters

Modulation: CDMA

| Freq. Tuned (MHz) | REF. LEVEL (dBm) | POL (H/V) | ERP (W) | ERP (dBm) | BATTERY |
|------------------------|-----------------------|----------------|--------------|----------------|----------|
| 824.70 | -22.3 | V | 0.308 | 24.9 | Standard |
| 835.89 | -22.5 | V | 0.289 | 24.6 | Standard |
| 848.31 | -22.4 | V | 0.296 | 24.7 | Standard |

Note: Standard batteries are the only options for this phone

NOTES:

Effective Radiated Power Output Measurements by Substitution Method
according to ANSI/TIA/EIA-603-A-2001, Aug. 15, 2001:

The EUT was placed on a wooden turn table 3-meters from the receive antenna. The receive antenna height and turntable rotation was adjusted for the highest reading on the receive spectrum analyzer. For CDMA signals, a peak detector is used, with RBW = VBW = 3 MHz. For AMPS, GSM, and NADC TDMA signals, a peak detector is used, with RBW = VBW = 1 MHz. A half-wave dipole was substituted in place of the EUT. This dipole antenna was driven by a signal generator and the level of the signal generator was adjusted to obtain the same receive spectrum analyzer reading. The conducted power at the terminals of the dipole is measured. The ERP is recorded.

6.1 Test Data (Continued)

6.1 Equivalent Isotropic Radiated Power (E.I.R.P.) PCS CDMA

Radiated measurements at 3 meters

Modulation: PCS CDMA

| Freq. Tuned (MHz) | RFF. LEVEL (dBm) | POL (H/V) | Azimuth (0 angle) | EIRP (W) | EIRP (dBm) | BATTERY |
|------------------------|-----------------------|----------------|------------------------|---------------|-----------------|----------|
| 1851.25 | 29.0 | V | 110 | 0.283 | 24.5 | Standard |
| 1880.00 | 29.3 | V | 110 | 0.264 | 24.2 | Standard |
| 1908.75 | 29.1 | V | 110 | 0.277 | 24.4 | Standard |

Note: Standard batteries are the only options for this phone

NOTES:

Equivalent Isotropic Radiated Power Measurements by Substitution Method
according to ANSI/TIA/EIA-603-A-2001, Aug. 15, 2001:

The EUT was placed on a wooden turn table 3-meters from the receive antenna. The receive antenna height and turntable rotation was adjusted for the highest reading on the receive spectrum analyzer. For CDMA signals, a peak detector is used, with RBW=VBW=3MHz. For AMPS, GSM, and NADC TDMA signals, a peak detector is used, with RBW=VBW=1MHz. A Horn antenna was substituted in place of the EUT. This Horn antenna was driven by a signal generator and the level of the signal generator was adjusted to obtain the same receive spectrum analyzer reading. The conducted power at the terminals of the Horn antenna is measured. The difference between the gain of the horn and an isotropic antenna is taken into consideration and the EIRP is recorded.

7.1 Test Data (Continued)

7.2 CELLULAR CDMA Radiated Measurements

Field Strength of SPURIOUS Radiation

| | |
|---------------------------------------|------------------|
| ■ OPERATING FREQUENCY: | 824.70 MHz |
| ■ CHANNEL: | 1013 (Low) |
| ■ MEASURED OUTPUT POWER: | 24.9dBm = 0.308W |
| ■ MODULATION SIGNAL: | CDMA (Internal) |
| ■ DISTANCE: | 3 meters |
| ■ LIMIT: $-(43 + 10 \log_{10} (W)) =$ | -37.89 dBc |

| Freq. (MHz) | LEVEL@ ANTENNA TERMINALS (dBm) | SUBSTITUTE ANTENNA GAIN (dBd) | CORRECT GENERATOR LEVEL (dBm) | POL (H/V) | (dBc) |
|----------------|---|--|--|--------------|-------|
| 1649.40 | -56.2 | 7.3 | -48.9 | V | -68.5 |
| 2474.10 | -53.5 | 8.3 | -45.2 | V | -64.3 |
| 3298.80 | -65.1 | 9.7 | -55.4 | V | -73.6 |
| | | | | | |

NOTES:

Radiated Spurious Emission Measurements by Substitution Method
according to ANSI/TIA/EIA-603-A-2001, Aug. 15, 2001:

The EUT was placed on a wooden turn table 3-meters from the receive antenna. The receive antenna height and turntable rotation was adjusted for the highest reading on the receive spectrum analyzer. For CDMA signals, a peak detector is used, with RBW=VBW=3MHz. For AMPS, GSM, and NADC TDMA signals, a peak detector is used, with RBW=VBW=1MHz. A half-wave dipole was substituted in place of the EUT. This dipole antenna was driven by a signal generator and the level of the signal generator was adjusted to obtain the same receive spectrum analyzer reading. This spurious level is recorded. For readings above 1GHz, the above procedure is repeated using horn antennas and the difference between the gain of the horn and an isotropic or dipole antenna are taken into consideration.

7.1 Test Data (Continued)

7.3 CELLULAR CDMA Radiated Measurements

Field Strength of SPURIOUS Radiation

| | |
|---------------------------------------|------------------|
| ■ OPERATING FREQUENCY: | 835.89 MHz |
| ■ CHANNEL: | 0363 (Mid) |
| ■ MEASURED OUTPUT POWER: | 24.9dBm = 0.308W |
| ■ MODULATION SIGNAL: | CDMA (Internal) |
| ■ DISTANCE: | 3 meters |
| ■ LIMIT: $-(43 + 10 \log_{10} (W)) =$ | -37.89 dBc |

| Freq. (MHz) | LEVEL@ ANTENNA TERMINALS (dBm) | SUBSTITUTE ANTENNA GAIN (dBd) | CORRECT GENERATOR LEVEL (dBm) | POL (H/V) | (dBc) |
|----------------|---|--|--|--------------|-------|
| 1671.78 | -54.5 | 7.3 | -47.2 | V | -66.8 |
| 2507.67 | -54.9 | 8.3 | -46.6 | V | -65.7 |
| 3343.56 | -66.5 | 9.7 | -56.8 | V | -75.0 |
| | | | | | |

NOTES:

Radiated Spurious Emission Measurements by Substitution Method
 according to ANSI/TIA/EIA-603-A-2001, Aug. 15, 2001:

The EUT was placed on a wooden turn table 3-meters from the receive antenna. The receive antenna height and turntable rotation was adjusted for the highest reading on the receive spectrum analyzer. For CDMA signals, a peak detector is used, with RBW=VBW=3MHz. For AMPS, GSM, and NADC TDMA signals, a peak detector is used, with RBW=VBW=1MHz. A half-wave dipole was substituted in place of the EUT. This dipole antenna was driven by a signal generator and the level of the signal generator was adjusted to obtain the same receive spectrum analyzer reading. This spurious level is recorded. For readings above 1GHz, the above procedure is repeated using horn antennas and the difference between the gain of the horn and an isotropic or dipole antenna are taken into consideration.

7.1 Test Data (Continued)

7.4 CELLULAR CDMA Radiated Measurements

Field Strength of SPURIOUS Radiation

| | | |
|---------------------------------------|-------|------------------|
| ■ OPERATING FREQUENCY: | _____ | 848.31 MHz |
| ■ CHANNEL: | _____ | 0777 (High) |
| ■ MEASURED OUTPUT POWER: | _____ | 24.9dBm = 0.308W |
| ■ MODULATION SIGNAL: | _____ | CDMA (Internal) |
| ■ DISTANCE: | _____ | 3 meters |
| ■ LIMIT: $-(43 + 10 \log_{10} (W)) =$ | _____ | -37.89 dBc |

| Freq. (MHz) | LEVEL@ ANTENNA TERMINALS (dBm) | SUBSTITUTE ANTENNA GAIN (dBd) | CORRECT GENERATOR LEVEL (dBm) | POL (H/V) | (dBc) |
|----------------|---|--|--|--------------|-------|
| 1696.62 | -52.7 | 7.3 | -45.4 | V | -65.0 |
| 2544.93 | -55.6 | 8.3 | -47.3 | V | -66.4 |
| 3393.24 | -67.1 | 9.7 | -57.4 | V | -75.6 |
| | | | | | |

NOTES:

Radiated Spurious Emission Measurements by Substitution Method
according to ANSI/TIA/EIA-603-A-2001, Aug. 15, 2001:

The EUT was placed on a wooden turn table 3-meters from the receive antenna. The receive antenna height and turntable rotation was adjusted for the highest reading on the receive spectrum analyzer. For CDMA signals, a peak detector is used, with RBW=VBW=3MHz. For AMPS, GSM, and NADC TDMA signals, a peak detector is used, with RBW=VBW=1MHz. A half-wave dipole was substituted in place of the EUT. This dipole antenna was driven by a signal generator and the level of the signal generator was adjusted to obtain the same receive spectrum analyzer reading. This spurious level is recorded. For readings above 1GHz, the above procedure is repeated using horn antennas and the difference between the gain of the horn and an isotropic or dipole antenna are taken into consideration.

7.1 Test Data (Continued)

7.5 CELLULAR PCS CDMA Radiated Measurements

Field Strength of SPURIOUS Radiation

| | | |
|---------------------------------------|-------|------------------|
| ■ OPERATING FREQUENCY: | _____ | 1851.25 MHz |
| ■ CHANNEL: | _____ | 0025 (Low) |
| ■ MEASURED OUTPUT POWER: | _____ | 24.5dBm = 0.283W |
| ■ MODULATION SIGNAL: | _____ | CDMA (Internal) |
| ■ DISTANCE: | _____ | 3 meters |
| ■ LIMIT: $-(43 + 10 \log_{10} (W)) =$ | _____ | -37.52 dBc |

| Freq. (MHz) | LEVEL@ ANTENNA TERMINALS (dBm) | SUBSTITUTE ANTENNA GAIN (dBi) | CORRECT GENERATOR LEVEL (dBm) | POL (H/V) | (dBc) |
|----------------|---|--|--|--------------|-------|
| 3702.50 | -63.6 | 12.4 | -51.2 | V | -66.3 |
| 5553.75 | -55.2 | 11.7 | -43.5 | V | -59.8 |
| 7405.00 | -59.8 | 11.5 | -48.3 | V | -65.3 |
| | | | | | |

NOTES:

Radiated Spurious Emission Measurements by Substitution Method
according to ANSI/TIA/EIA-603-A-2001, Aug. 15, 2001:

The EUT was placed on a wooden turn table 3-meters from the receive antenna. The receive antenna height and turntable rotation was adjusted for the highest reading on the receive spectrum analyzer. For CDMA signals, a peak detector is used, with RBW=VBW=3MHz. For AMPS, GSM, and NADC TDMA signals, a peak detector is used, with RBW=VBW=1MHz. A half-wave dipole was substituted in place of the EUT. This dipole antenna was driven by a signal generator and the level of the signal generator was adjusted to obtain the same receive spectrum analyzer reading. This spurious level is recorded. For readings above 1GHz, the above procedure is repeated using horn antennas and the difference between the gain of the horn and an isotropic or dipole antenna are taken into consideration.

7.1 Test Data (Continued)

7.6 CELLULAR PCS CDMA Radiated Measurements

Field Strength of SPURIOUS Radiation

| | | |
|---------------------------------------|-------|------------------|
| ■ OPERATING FREQUENCY: | _____ | 1880.00 MHz |
| ■ CHANNEL: | _____ | 0600 (Middle) |
| ■ MEASURED OUTPUT POWER: | _____ | 24.5dBm = 0.283W |
| ■ MODULATION SIGNAL: | _____ | CDMA (Internal) |
| ■ DISTANCE: | _____ | 3 meters |
| ■ LIMIT: $-(43 + 10 \log_{10} (W)) =$ | _____ | -37.52 dBc |

| Freq. (MHz) | LEVEL@ ANTENNA TERMINALS (dBm) | SUBSTITUTE ANTENNA GAIN (dBi) | CORRECT GENERATOR LEVEL (dBm) | POL (H/V) | (dBc) |
|----------------|---|--|--|--------------|-------|
| 3760.00 | -64.5 | 12.4 | -52.1 | V | -67.2 |
| 5640.00 | -56.0 | 11.7 | -44.3 | V | -60.6 |
| 7520.00 | -61.1 | 11.5 | -49.6 | V | -66.6 |
| | | | | | |

NOTES:

Radiated Spurious Emission Measurements by Substitution Method

according to ANSI/TIA/EIA-603-A-2001, Aug. 15, 2001:

The EUT was placed on a wooden turn table 3-meters from the receive antenna. The receive antenna height and turntable rotation was adjusted for the highest reading on the receive spectrum analyzer. For CDMA signals, a peak detector is used, with RBW=VBW=3MHz. For AMPS, GSM, and NADC TDMA signals, a peak detector is used, with RBW=VBW=1MHz. A half-wave dipole was substituted in place of the EUT. This dipole antenna was driven by a signal generator and the level of the signal generator was adjusted to obtain the same receive spectrum analyzer reading. This spurious level is recorded. For readings above 1GHz, the above procedure is repeated using horn antennas and the difference between the gain of the horn and an isotropic or dipole antenna are taken into consideration.

7.1 Test Data (Continued)

7.7 CELLULAR PCS CDMA Radiated Measurements

Field Strength of SPURIOUS Radiation

| | | |
|---------------------------------------|-------|------------------|
| ■ OPERATING FREQUENCY: | _____ | 1908.75 MHz |
| ■ CHANNEL: | _____ | 1175 (High) |
| ■ MEASURED OUTPUT POWER: | _____ | 24.5dBm = 0.283W |
| ■ MODULATION SIGNAL: | _____ | CDMA (Internal) |
| ■ DISTANCE: | _____ | 3 meters |
| ■ LIMIT: $-(43 + 10 \log_{10} (W)) =$ | _____ | -37.52 dBc |

| Freq. (MHz) | LEVEL@ ANTENNA TERMINALS (dBm) | SUBSTITUTE ANTENNA GAIN (dBi) | CORRECT GENERATOR LEVEL (dBm) | POL (H/V) | (dBc) |
|----------------|---|--|--|--------------|-------|
| 3817.50 | -63.1 | 12.4 | -50.7 | V | -65.8 |
| 5726.25 | -53.9 | 11.7 | -42.2 | V | -58.5 |
| 7635.00 | -57.6 | 11.5 | -46.1 | V | -63.1 |
| | | | | | |

NOTES:

Radiated Spurious Emission Measurements by Substitution Method
according to ANSI/TIA/EIA-603-A-2001, Aug. 15, 2001:

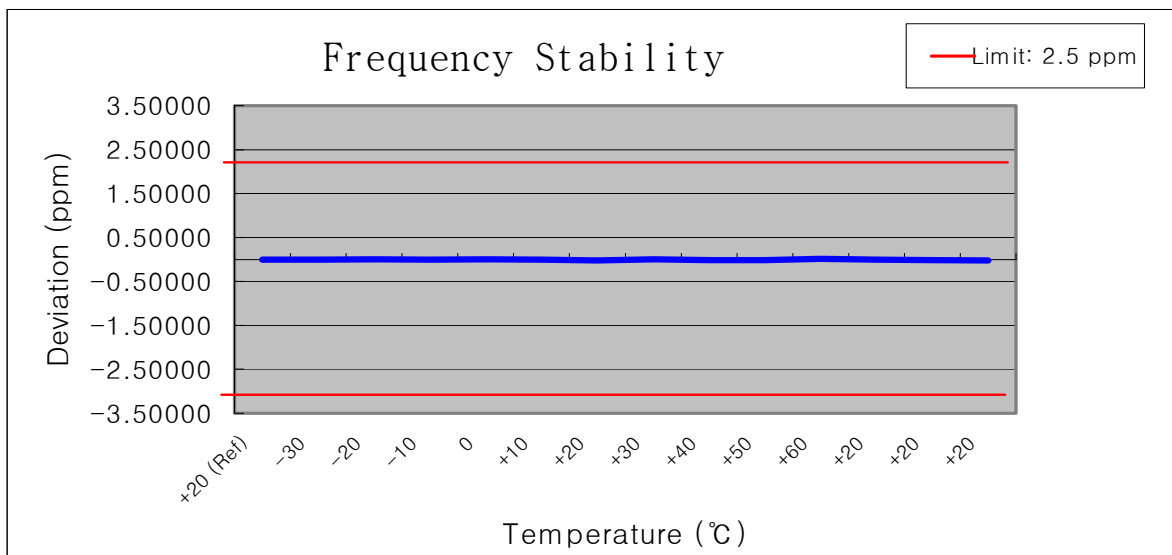
The EUT was placed on a wooden turn table 3-meters from the receive antenna. The receive antenna height and turntable rotation was adjusted for the highest reading on the receive spectrum analyzer. For CDMA signals, a peak detector is used, with RBW=VBW=3MHz. For AMPS, GSM, and NADC TDMA signals, a peak detector is used, with RBW=VBW=1MHz. A half-wave dipole was substituted in place of the EUT. This dipole antenna was driven by a signal generator and the level of the signal generator was adjusted to obtain the same receive spectrum analyzer reading. This spurious level is recorded. For readings above 1GHz, the above procedure is repeated using horn antennas and the difference between the gain of the horn and an isotropic or dipole antenna are taken into consideration.

8.1 Test Data

8.2 FREQUENCY STABILITY (CDMA)

OPERATING FREQUENCY: 835,890,034 Hz
 CHANNEL: 363
 REFERENCE VOLTAGE: 3.7 VDC
 DEVIATION LIM IT: ± 0.00025 % or 2.5 ppm

| Voltage (%) | Power (VDC) | Temp. (°C) | Frequency (Hz) | Deviation (%) | Deviation (ppm) |
|----------------|-------------|------------|----------------|---------------|-----------------|
| 100 | 3.7 | +20 (Ref) | 835,890,034 | 0.000000 | 0.00000 |
| 100 | | -30 | 835,890,041 | -0.000001 | -0.00837 |
| 100 | | -20 | 835,890,029 | 0.000001 | 0.00598 |
| 100 | | -10 | 835,890,037 | 0.000000 | -0.00359 |
| 100 | | 0 | 835,890,028 | 0.000001 | 0.00718 |
| 100 | | +10 | 835,890,034 | 0.000000 | 0.00000 |
| 100 | | +20 | 835,890,052 | -0.000002 | -0.02153 |
| 100 | | +30 | 835,890,031 | 0.000000 | 0.00359 |
| 100 | | +40 | 835,890,047 | -0.000002 | -0.01555 |
| 100 | | +50 | 835,890,043 | -0.000001 | -0.01077 |
| 100 | | +60 | 835,890,024 | 0.000001 | 0.01196 |
| 85 | | 3.15 | +20 | 835,890,038 | 0.000000 |
| 115 | 4.26 | +20 | 835,890,046 | -0.000001 | -0.01436 |
| BATT.END POINT | 2.84 | +20 | 835,890,054 | -0.000002 | -0.02393 |

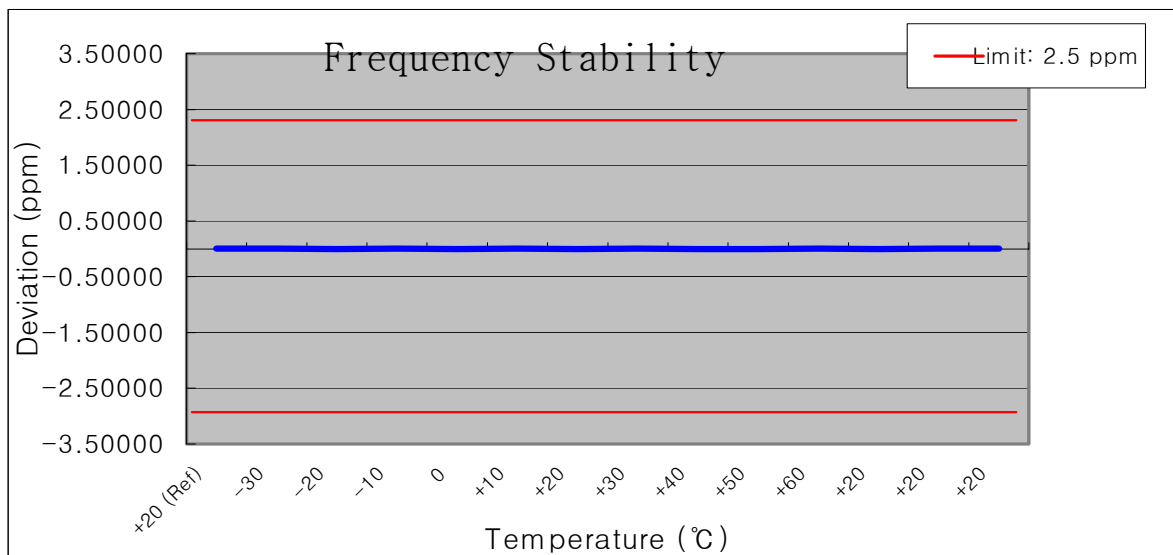


8.1 Test Data(Continued)

8.3 FREQUENCY STABILITY (PCS CDMA)

OPERATING FREQUENCY: 1,880,000,041 Hz
 CHANNEL: 0600
 REFERENCE VOLTAGE: 3.7 VDC
 DEVIATION LIMIT: ± 0.00025 % or 2.5 ppm

| Voltage (%) | Power (VDC) | Temp. (°C) | Frequency (Hz) | Deviation (%) | Deviation (ppm) |
|----------------|-------------|------------|----------------|---------------|-----------------|
| 100 | 3.7 | +20 (Ref) | 1,880,000,041 | 0.000000 | 0.00000 |
| 100 | | -30 | 1,880,000,037 | 0.000000 | 0.00213 |
| 100 | | -20 | 1,880,000,046 | 0.000000 | -0.00266 |
| 100 | | -10 | 1,880,000,031 | 0.000001 | 0.00532 |
| 100 | | 0 | 1,880,000,048 | 0.000000 | -0.00372 |
| 100 | | +10 | 1,880,000,032 | 0.000000 | 0.00479 |
| 100 | | +20 | 1,880,000,046 | 0.000000 | -0.00266 |
| 100 | | +30 | 1,880,000,031 | 0.000001 | 0.00532 |
| 100 | | +40 | 1,880,000,044 | 0.000000 | -0.00160 |
| 100 | | +50 | 1,880,000,045 | 0.000000 | -0.00213 |
| 100 | | +60 | 1,880,000,039 | 0.000000 | 0.00106 |
| 85 | | 3.15 | +20 | 1,880,000,046 | 0.000000 |
| 115 | 4.26 | +20 | 1,880,000,031 | 0.000001 | 0.00532 |
| BATT.END POINT | 2.83 | +20 | 1,880,000,028 | 0.000001 | 0.00691 |



9.1 PLOT(S) OF EMISSION

(SEE ATTACHMENT D)

10.1 LIST OF TEST EQUIPMENT

| Type / Model | Calib. Date | S/N |
|--|-------------|-------------|
| Spectrum Analyzer (20Hz~40GHz) R&S ESI40 | Dec. 05 | 1088.7410 |
| Spectrum Analyzer(100Hz~26.5GHz) R3273 | April 05 | J04821 |
| Signal Generator HP8373ED (10MHz ~ 20GHz) | July 05 | US8710152 |
| Signal Generator MARCONI(10kHz ~ 2.7GHz) | Sep. 05 | 119331 |
| Power Meter(A) HP 438A | July 05 | 2822A05909 |
| Power Sensor(A) HP8481B | July 05 | 3318A08777 |
| Power Meter(B) HP 438A | Nov. 05 | 2427A00963 |
| Power Sensor(B) HP8481A | Oct. 05 | 2349A37617 |
| Power Amp A0825-4343-R(800~2.5GHz) +43dB | Sep. 05 | A00450 |
| Network Analyzer HP-8753D (30kHz ~ 3GHz) | Sep. 05 | 3401J02111 |
| Modulation Analyzer HP8901A | June 05 | 3438A05231 |
| Dipole Antenna UHAP | June 05 | 557 |
| Dipole Antenna UHAP | June 05 | 558 |
| AMF-4D-001180-26-10P(0.1~18GHz) | Feb.05 | 671009 |
| AMF-4D-001180-26-10P(18~26.5GHz) | Feb.05 | 667624 |
| AMF-4D-001180-26-10P(26~40GHz) | Feb.05 | 671314 |
| Audio Analyzer HP 8903A | Feb.05 | 2433A04322 |
| Function Generator HP 8116A | Feb.05 | 3001A08285 |
| Horn Antenna BBHA 9120D(1~18GHz) | June 05 | 1099 |
| Horn Antenna BBHA 9120D(1~18GHz) | March 05 | 1201 |
| Horn Antenna BBHA 9170(15~40GHz) | Feb.05 | BBHA9170124 |
| CDMA Mobile Station Test Set HP8924C | June 05 | US39063847 |
| PCS Interface HP83236B 1.7 ~ 2.0GHz | June 05 | 3711J04841 |
| EMI Test Receiver Rohde & Schwarz ESH3 | June 05 | 335.8017 |
| EMI Test Receiver Rohde & Schwarz ESVP | Feb. 05 | 354.3000 |
| EMI Test Receiver Rohde & Schwarz ESVS30 | June 05 | 826006/013 |
| Spectrum Analyzer HP 8591EM | July 05 | 3509A00155 |
| LISN EMCO 3825/2 | July 05 | 9706-1070 |
| LISN Rohde & Schwarz ESH2-Z5 | July 05 | 9706-1071 |
| Amplifier Hewlett-Packard 8447E | March 05 | 2805A03141 |
| Biconical Antenna BBA-9106(30~1000MHz) | June 05 | D6901 |
| Log-Periodic Antenna UHALP-9107(300~1000MHz) | June 05 | 91071107 |
| Antenna VULB9160 (25MHz~1800MHz) | June 05 | 91071107 |
| Antenna Position Tower HD240 | N.A | 3241 |
| Turn Table EMCO 1060-06 | N.A | 1253A |
| AC Power Source PACIFIC Magnetic Module | N.A | 45321 |
| AC Power Source PACIFIC 360AMX | N.A | 22B87 |

11.1 SAMPLE CALCULATIONS

A. ERP Sample Calculation

| Freq. Tuned (MHz) | LEVEL(1) (dBm) | POL (H/V) | ERP (W) | ERP(2) (dBm) | BATTERY |
|------------------------|---------------------|----------------|--------------|-------------------|----------|
| 824.70 | -29.73 | H | 0.346 | 25.393 | Standard |

- 1) The EUT mounted on a wooden tripod is 0.8 meter above test site ground level.
- 2) During the test , the turn table is rotated and the antenna height is also varied from 1 to 4 meters until the maximum signal is found.
- 3) Record the field strength meter's level.(**LEVEL**)
- 4) Replace the EUT with dipole antenna that is connected to a calibrated signal generator.
- 5) Increase the signal generator output till the field strength meter's level is equal to the item(3).
- 6) The signal generator output level with cable loss is the rating of effective radiated power(**ERP**).
(Cable loss means the factor between Signal Generator and Transmitting Antenna.)

For more details, please refer to the test set-up procedure.

B. Emission Designator

Emission Designator = 1M28F9W

CDMA BW = 1.28 MHz

F = Frequency Modulation

9 = Composite Digital Info

W = Combination (Audio/Data)

(Measured at the 99.75% power bandwidth)

Emission Designator = 40K0F1D

Necessary Bandwidth:

Necessary Bandwidth (Bn), kHz = 40.0

(Measured at the 99.75% power bandwidth)

Emission Designator = 40K0F8W

Necessary Bandwidth:

Necessary Bandwidth (Bn), kHz = 40.0

(Measured at the 99.75% power bandwidth)

12.1 CONCLUSION

The data collected shows that the **Dual-Mode CDMA Phone (CDMA/ PCS CDMA)**

FCC ID: PP4PN-315 complies with all the requirements of Parts 2 and 22, 24 of the FCC rules.