

EXHIBIT A - FCC ID LABELING AND LOCATION

FCC ID Label

XIRO Vision Gimbal

Rating: 12V --- 500mA

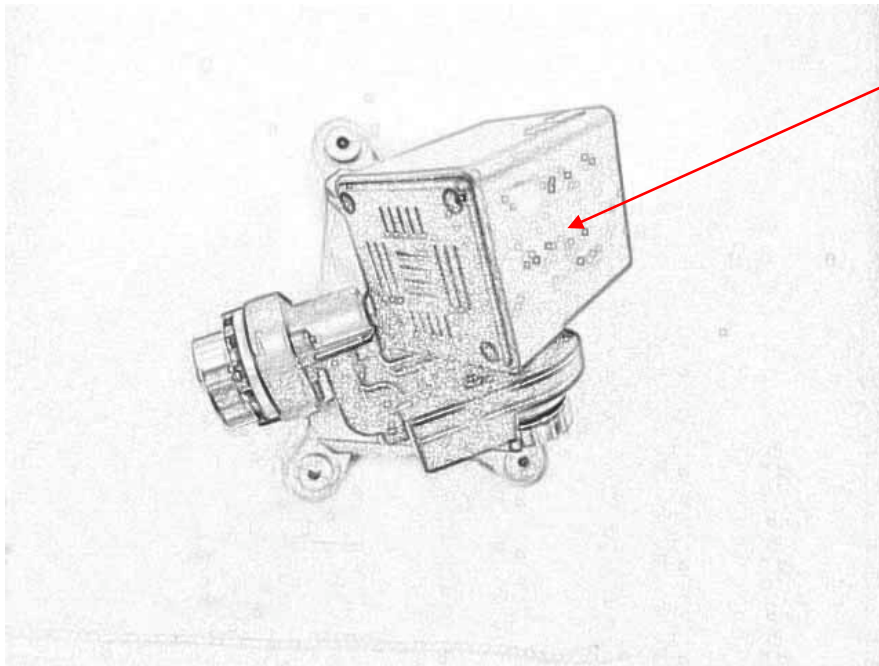
Model: UG3300

FCC ID: PP2UG3300

Made in China



Proposed FCC ID Label Location



Label Here

The label shown shall be permanently affixed at a conspicuous location on the device and be readily visible to the user at the time purchase (Labeling requirements per 2.925)