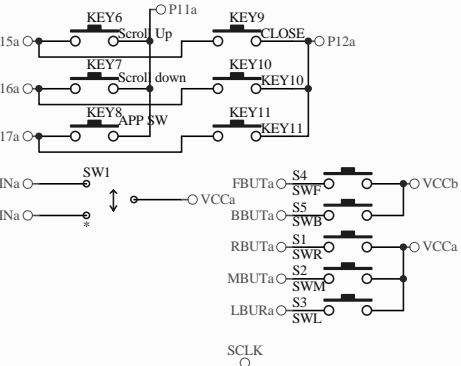


SENSOR ANGLE SEL			
	sensor-90	sensor+0	sensor+90
J26V	open	open	short
J26G	short	short	open
J28V	short	open	open
J28G	open	short	short



Units	Scale	sheet	rev	DR	CHKD	APPD
mm		1 of 1	A.0	HUYUQING		
MLK Industries(shenzhen)Limited			Title: 01078-原理图 (PM6227+PAN301B)			