

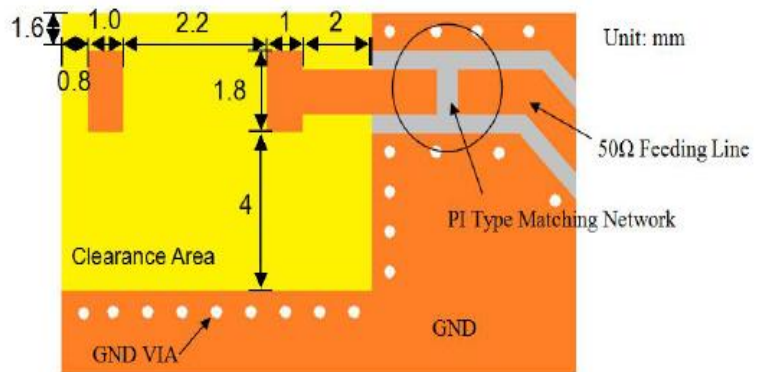
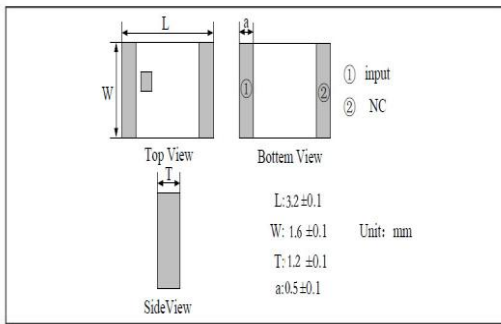
**Product**

**LA31H2450-A35**

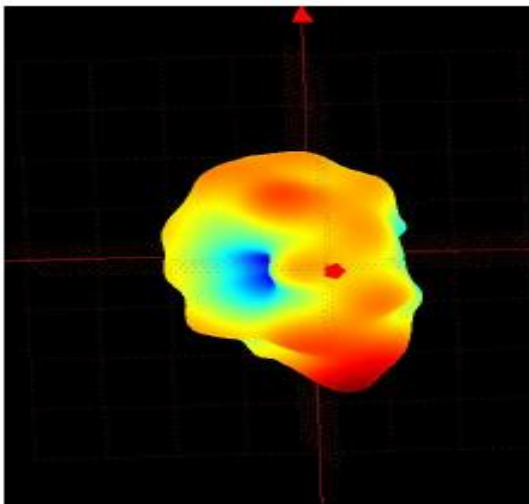
**Specification**

Frequency Range	2400MHz~2500MHz
V.S.W.R	≤2.0
Impedance	50Ω
Gain	5.19dBi
Azimuth	Omni-directional
Polarization	Linear
Impedance	50 Ω
Azimuth Beam width	Omni-directional

**Dimension (mm)**



**Performance**



**Test Graph**

