

# Regulatory HMB/BT Antenna Information

(English Language Required for Module Vendor Regulatory Review / Approval)

Platform information				
Brand	ODM	Platform model name	Platform type (ex: regular NB, convertible PC, AIO...etc)	SAR minimum separation (mm)
Sony	Inventec Appliances Corp.	SE01		
Antenna information				Peak gain w/ cable loss (dBi)
Vendor	Type	Antenna Part number(Tx1)	Antenna Part number(Tx2)	2.4GHz
Pulse A YAGEO COMPANY	PIFA	6036A0196102 (TZ26533)	6036A0196102 (TZ26533)	-3.96
Module information <b>(Pls check with "x" when applies)</b>				
Model	Form factor and suffixes ( NGW/ HMW AND AN/ NB/ BN....)			

## Antenna Sample / Antenna Data Requirements for worldwide regulatory approval

Section	Description of Required OEM / ODM Antenna Information	US / IC	EU	Japan	Taiwan	S.Korea
1A	Part Number for Antenna only	Required	Required	Required	Required	Required
1B	Antenna Manufacturer Name	Required	Required	Required	Required	Required
1C	Description of Antenna Type	Required	N/A	N/A	N/A	N/A
1D	Part number of Antenna Assembly / cable impedance, length & diameter.	Required	Desired	Desired	Desired	Desired
1E	Tx1, Tx2 & Tx3 antenna (Peak Gain W/ cable loss) *	Required	Required	Required	Required	Required
	1E OR 1F, 1G, 1H					
1F	Tx1, Tx2 & Tx3 antenna (Peak Gain only) *	Required	Required	Required	Required	Required
1G	VSWR of cable including connector	Required	Required	Required	Required	Required
1H	Tx1, Tx2 & Tx3 antenna (Cable loss W/ connector) *	Required	Required	Required	Required	Required
2	Dimensioned Photographs and Drawings of Tx1, Tx2, and Tx3 (or Rx3) antennas	Required	Required	Required	Required	Required
3	Radiation patterns of antennas loaded in the host platform.	Required	Desired	Required	N/A	Required
4	Platform model name / number - correlated to antenna manufacturer and antenna part number	Required	Required	Desired	Required	Desired
5	Photograph(s) or Drawings showing location of antennas in platform. (S. Korea requires photographs of antennas for approval submission). Taiwan requires pictures of each antenna type shown in the system.	Required	Required	Desired	Required (Photos)	Required (Photos)
6	Mech. drawings / photos with dimensions of antenna locations and distance from end-user (For evaluation of SAR testing requirement).	Required	N/A	N/A	N/A	N/A
7	Photograph(s) or Drawings showing the location of all antennas (WLAN, other) and distance between those transmitting antennas. Information will be used to evaluate whether co-location testing is required.	Required	N/A	N/A	N/A	N/A
8	Local representative contact information for LMA/ PARS process.	Required	N/A	N/A	N/A	N/A

# Antenna Information

## Section 1. Antenna Assembly Specifications

1A	1B	1C	1D	1E	1F	1G	1H
Antenna Part Number	Manufacture	Antenna Type	Cable Assembly Part Number and Information	*Peak Gain W/ Cable loss (dBi)	Peak Gain w/o Cable Loss (dBi)	VSWR	Cable Loss (dBi)
6036A0196102 (TZ26533)Tx1 Antenna	Pulse (Suzhou) Wireless Products Co.,Ltd Address:99 HuoJu RD. SuZhou P.R. China	PIFA	None	2400-2500MHz -4.61 dBi (peak)	2400-2500MHz -4.41 dBi (peak)	2400-2500MHz 3.00 max	2400-2500MHz 0.20 dBi (peak)
6036A0196102 (TZ26533)Tx2 Antenna	Pulse (Suzhou) Wireless Products Co.,Ltd Address:99 HuoJu RD. SuZhou P.R. China	PIFA	None	2400-2500MHz -4.16 dBi (peak)	2400-2500MHz -3.96 dBi (peak)	2400-2500MHz 3.00 max	2400-2500MHz 0.20 dBi (peak)

- Antenna Peak Gain required being test in system basis.
- 1E frame contend absolutely peak antenna gain include H/V

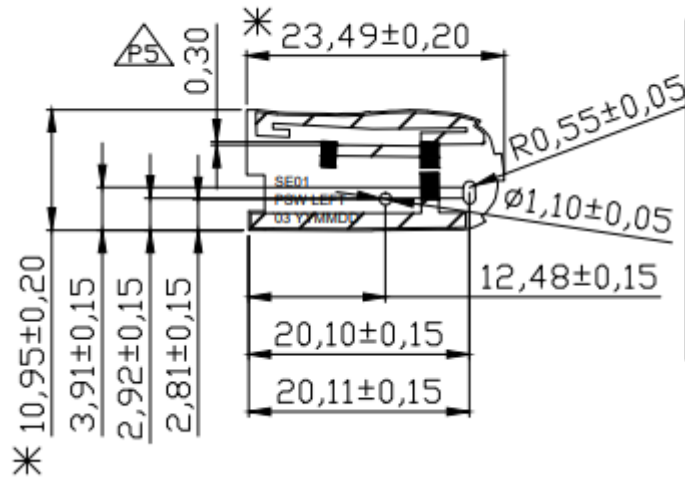
**Antenna Peak Gain Table:**

	Tx1 antenna		Tx2 Antenna	
Frequency (MHz)	Horizontal	Vertical	Horizontal	Vertical
	(dBi)	(dBi)	(dBi)	(dBi)
2400	-4.89	-5.15	-6.53	-7.05
2450	-4.61	-5.77	-4.16	-7.20
2500	-4.81	-6.06	-4.26	-6.22

## Section 2. Dimensioned Photos or Drawings of Antennas

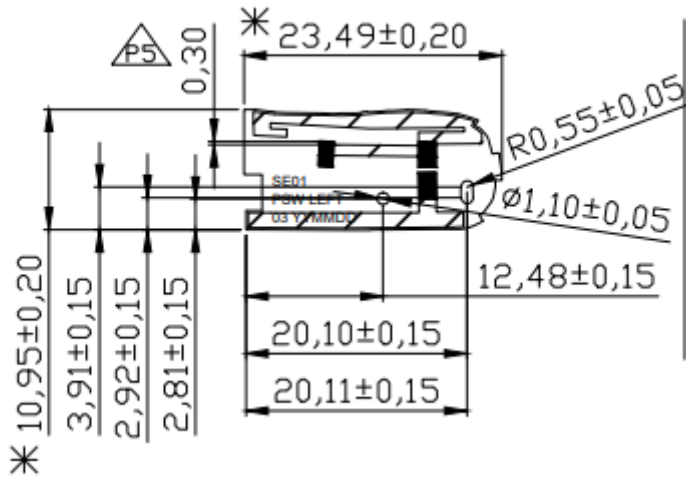
Include a dimensioned photo and dimensioned drawing of Tx1 antenna here.

### Tx1 Antenna Dimensioned Drawing:



Include a dimensioned photo and dimensioned drawing of Tx2 antenna here.

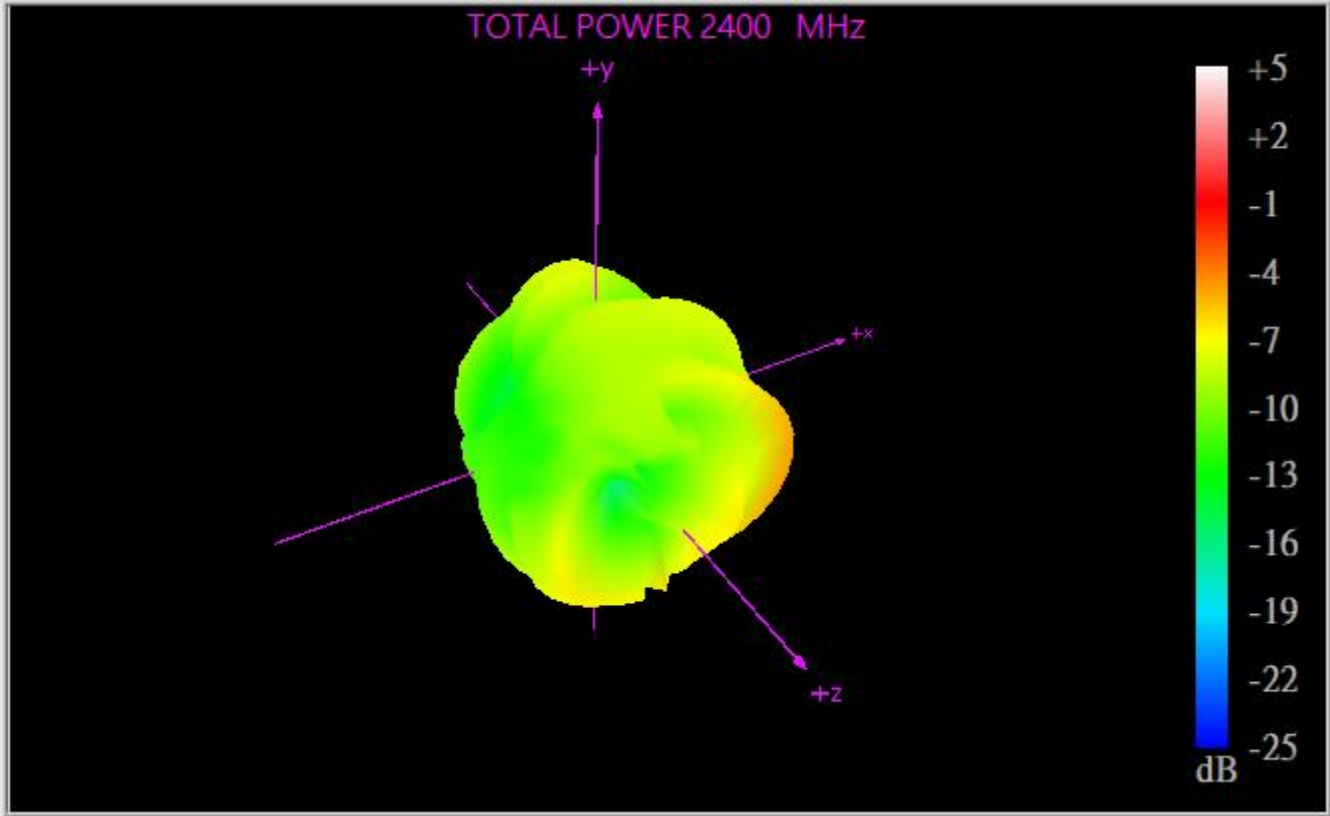
Tx2 Antenna Dimensioned Drawing:



## Section 3. Radiation characteristics of antennae Loaded in Host Platform

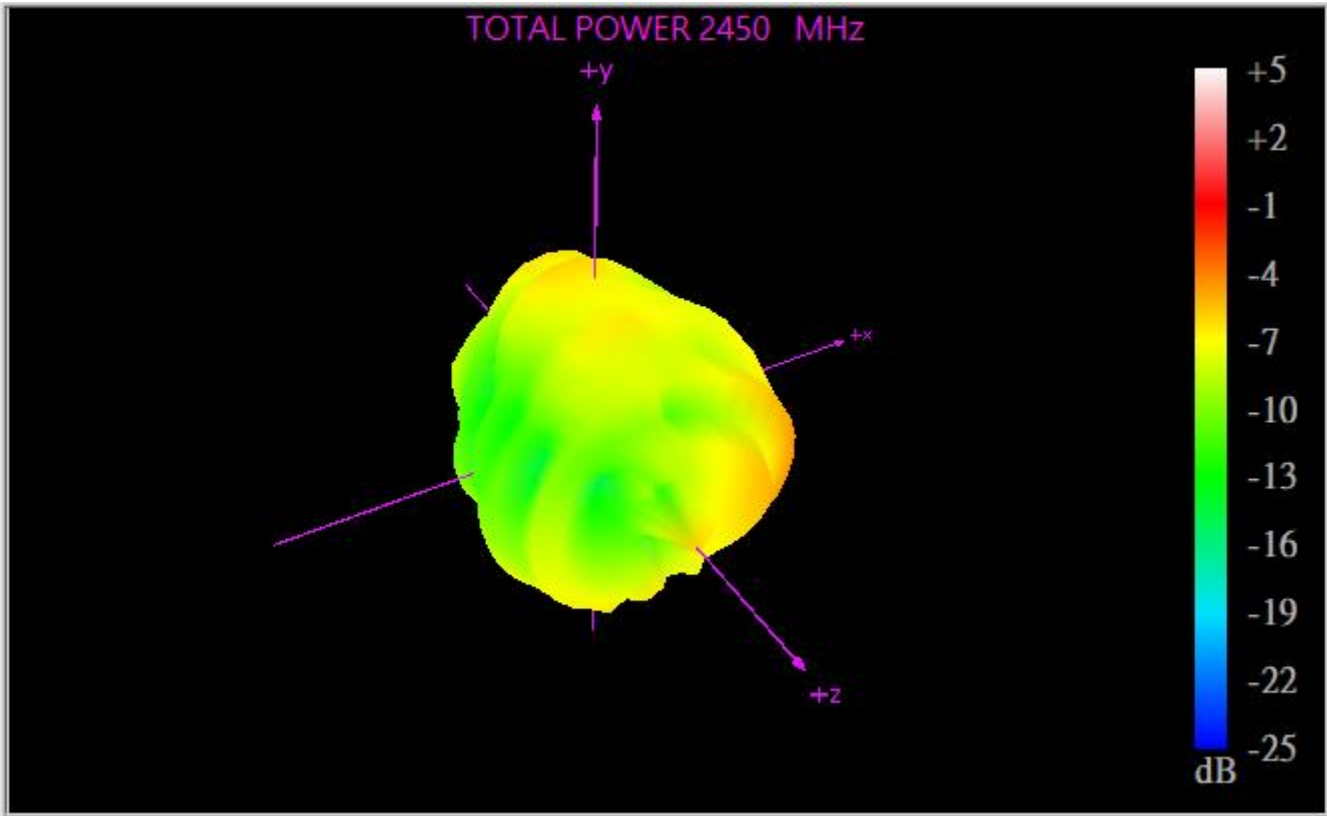
### 2400-2500MHz radiation characteristic

Tx1 antenna: 2400 MHz



Center Frequency	<b>2400 MHz</b>
Horizontal (dBi) peak	-4.89
Vertical (dBi) peak	-5.15

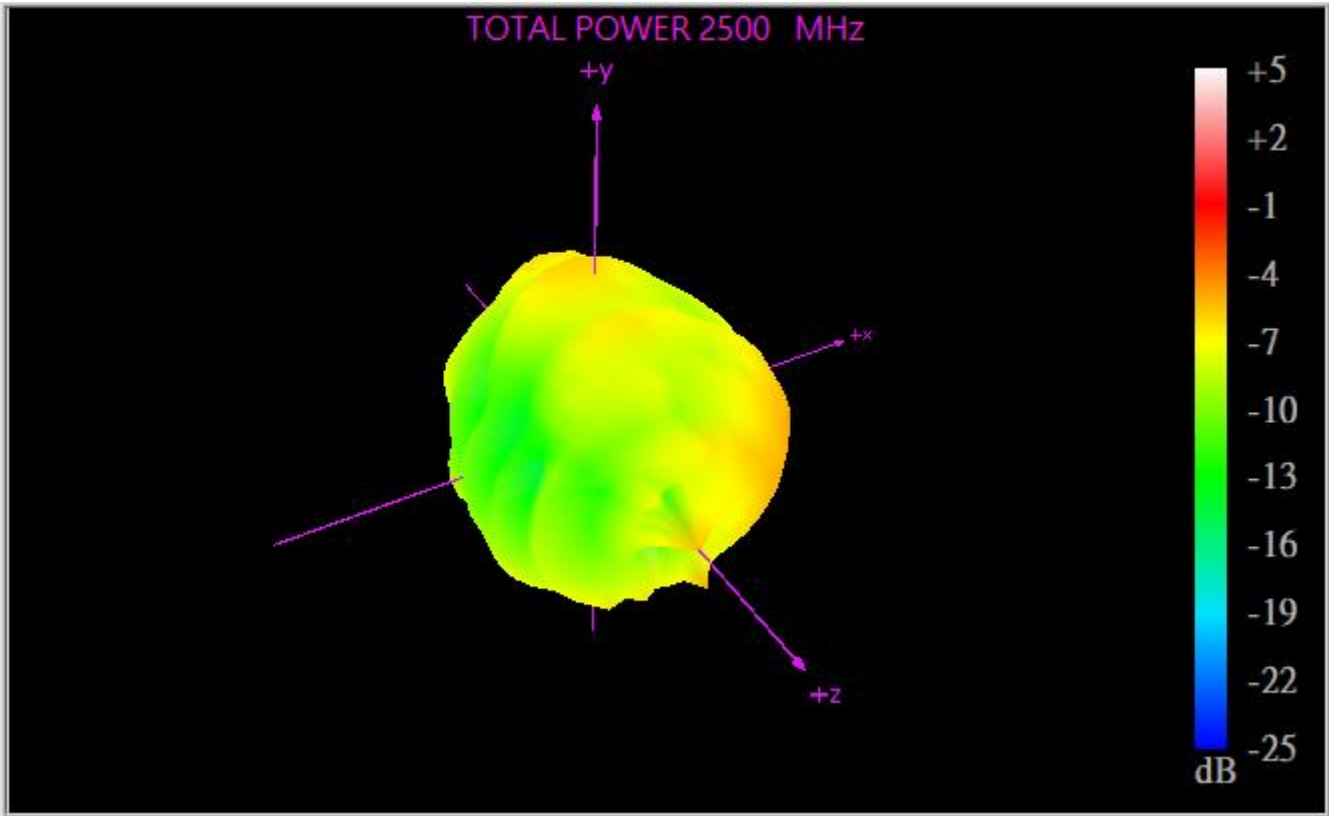
**Tx1 antenna: 2450 MHz**



Center Frequency	<b>2450 MHz</b>
Horizontal (dBi) peak	-4.61
Vertical (dBi) peak	-5.77

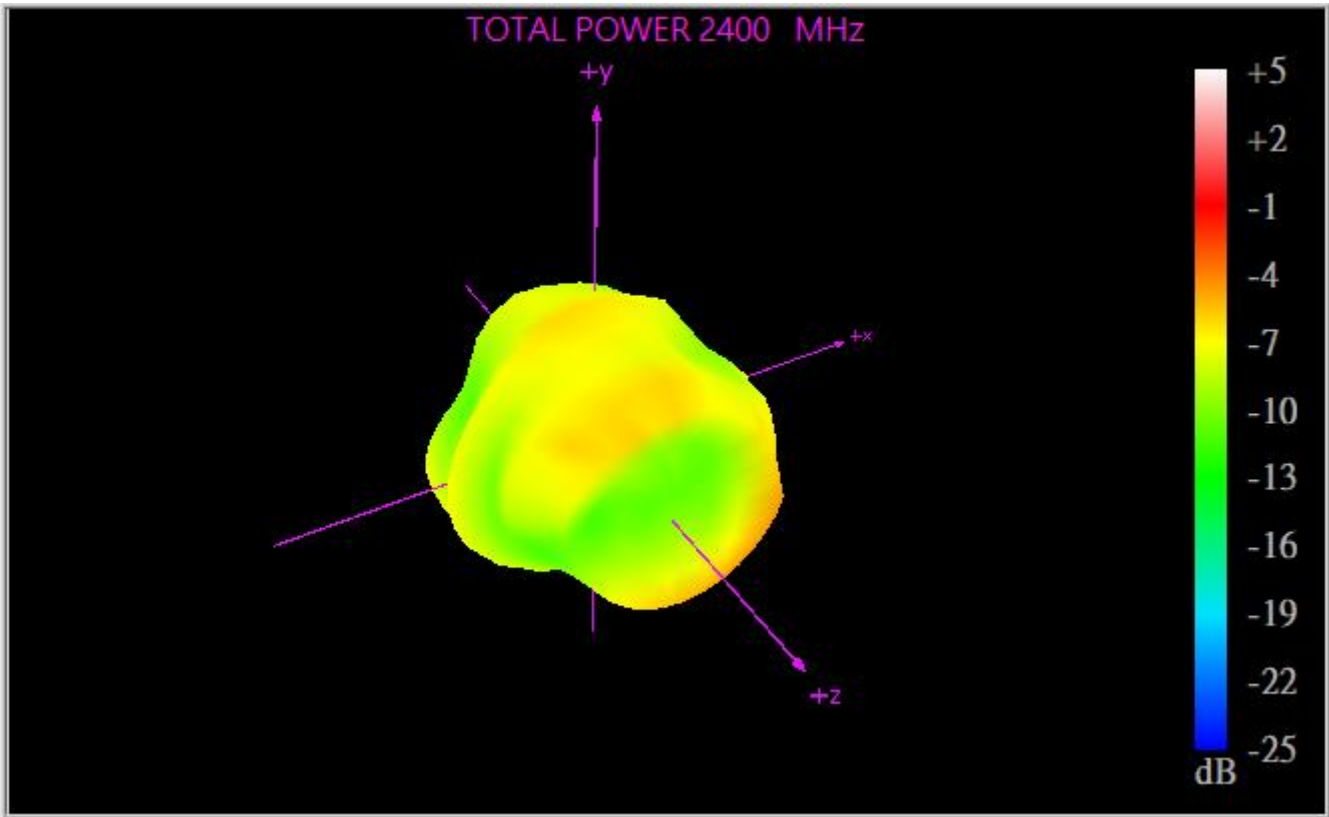


**Tx1 antenna: 2500 MHz**



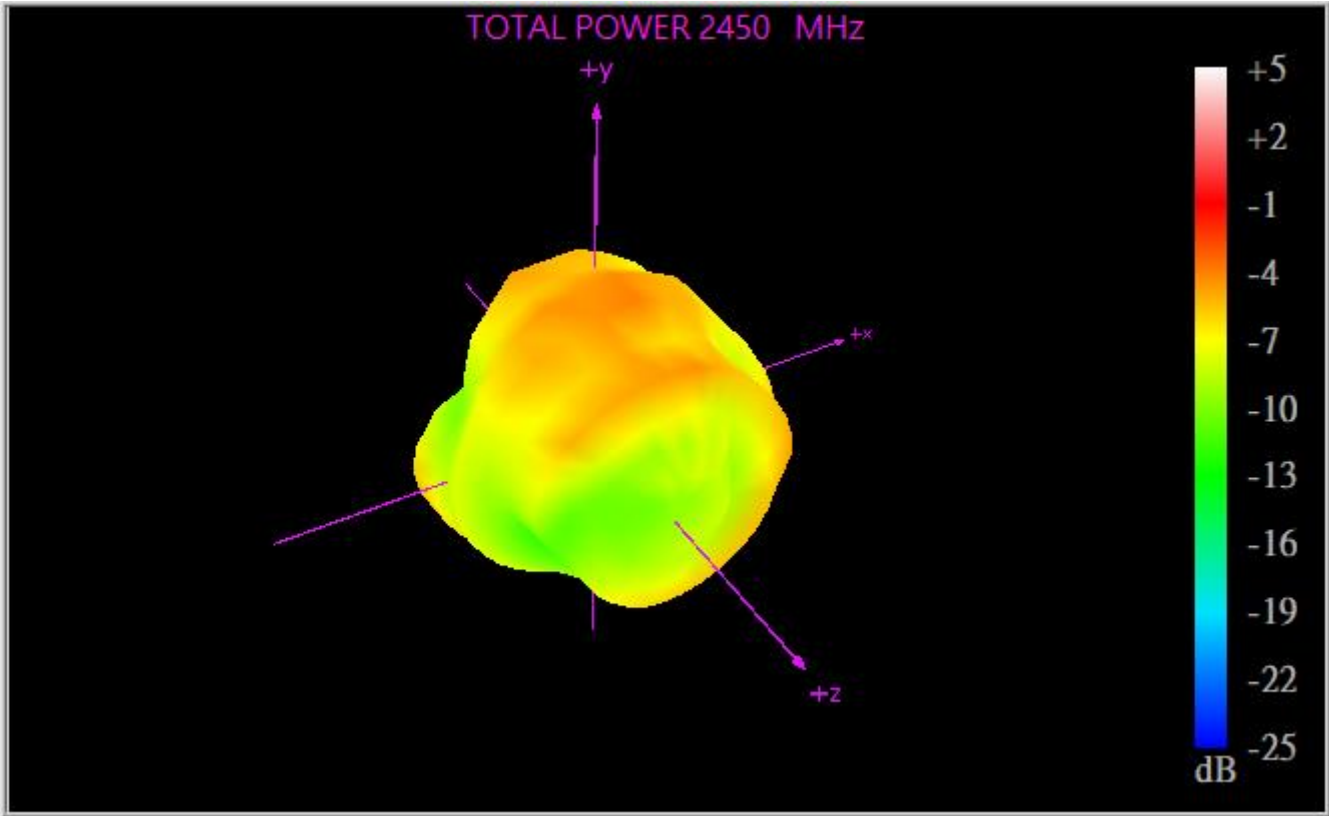
Center Frequency	<b>2500 MHz</b>
Horizontal (dBi) peak	-4.81
Vertical (dBi) peak	-6.06

**Tx2 (or Rx2) antenna: 2400 MHz (Plot is not required if 2<sup>nd</sup> Antenna is receive only e.g. Rx2 for 512 family)**



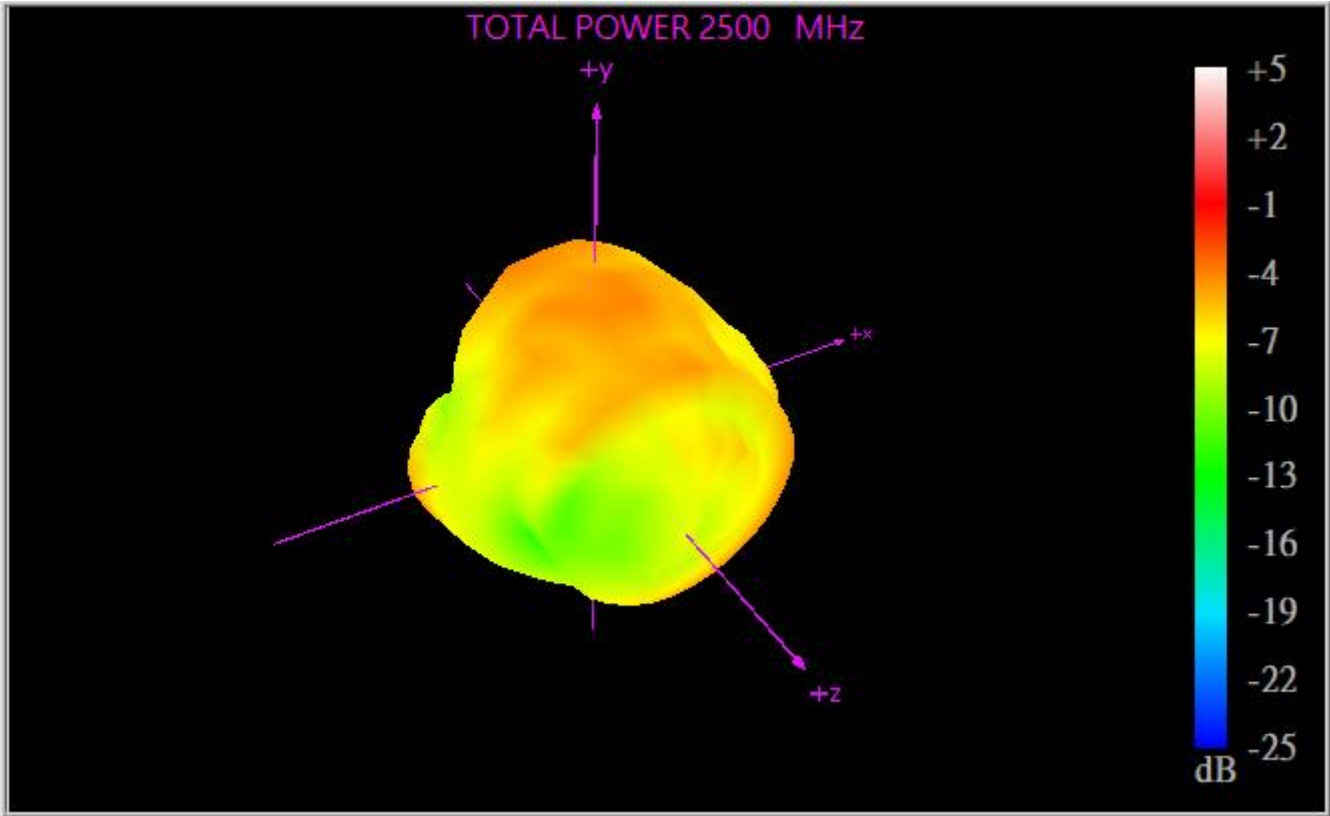
Center Frequency	<b>2400 MHz</b>
Horizontal (dBi) peak	-6.53
Vertical (dBi) peak	-7.05

**Tx2 (or Rx2) antenna: 2450 MHz (Plot is not required if 2<sup>nd</sup> Antenna is receive only e.g. Rx2 for 512 family)**



Center Frequency	<b>2450 MHz</b>
Horizontal (dBi) peak	-4.16
Vertical (dBi) peak	-7.20

**Tx2 (or Rx2) antenna: 2500 MHz (Plot is not required if 2<sup>nd</sup> Antenna is receive only e.g. Rx2 for 512 family)**



Center Frequency	<b>2500 MHz</b>
Horizontal (dBi) peak	-4.26
Vertical (dBi) peak	-6.22

## Section 4. Host Platform Information

OEM / ODM Host platform: (XXXXXXX) platform correlated to antenna data

Rating Label Photo:

## **Section 5. Antenna Host Platform Location Information**

Include a **dimensioned photo(s) or dimensioned drawing(s)** of Tx1, Tx2 and Tx3 antenna placements (measurements are not required for receive-only antenna). Any antenna that transmits must show dimensions to bottom of laptop. Provide a description of the materials that are used for supporting or surrounding transmit antennas; for example, non-conductive plastics vs. conductive coated plastic or metallic materials.

## **Section 6. Antenna dimensional information for SAR evaluation**

Include a **dimensioned photo(s) or dimensioned drawing(s)** showing the distance (mm) between the transmit antennas and the user (excluding hands, wrist, feet, and ankle). For notebook/laptop hosts show lapheld position (example below). For tablet hosts show all orientations including lapheld, primary & secondary portrait, primary & secondary landscape positions. Include a description of any proximity sensors or power throttling implementations that limit or exclude use of any host orientation.

## **Section 7. Diagram Example of Co-Location Antenna Separation**

Include a **dimensioned photo or dimensioned drawing** showing the distance (mm) between **all WLAN transmit antennas** and other co-located radiator transmit antenna such as Bluetooth, WWAN,..

**(Note: Due to the evolving rules regarding co-location, each platform will need to be reviewed on a case by case basis)**



## Section 8. Local representative contact information

Local representative contact information is required for regulatory support for target countries below.

	Local company name	Contact name	Phone number	FAX Number	e-Mail Address	Notes
<b>Argentina</b>						
<b>Azerbaijan</b>						
<b>Cambodia</b>						
<b>Indonesia</b>						
<b>Israel</b>						
<b>Malaysia</b>						
<b>Philippines</b>						
<b>Singapore</b>						Telecommunication Equipment Dealer License Required
<b>South Africa</b>						
<b>USA, Canada</b>						
<b>Vietnam</b>						