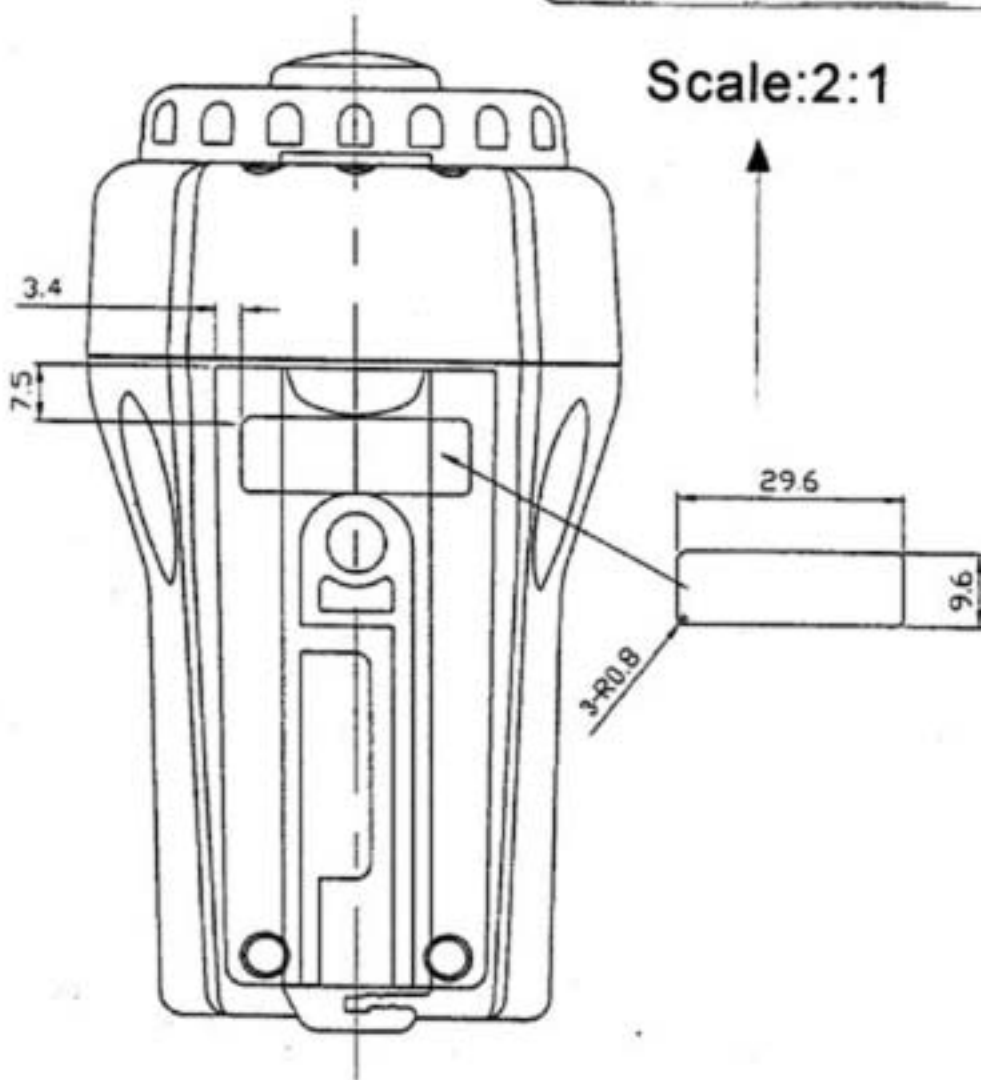


REV	DATE	DESCRIPTION	SIGN	MEDIUM TOLERANCE
1				
2				X.XX ±0.05
3				X.X ±0.1

標頭位置



FINISH		HRC-	ELANsat TECHNOLOGIES INC.			
MATERIAL		SCALE 1:1	⊕ ⊖	UNIT: mm	DESCRIPTION	標頭點位位置圖
APPROVED	CHECKED	DESIGNED	PAGE 1/1	DATE 2001.10.03	BASE MODEL	VC-T2G4
連建	連建	李志仁	DRAWING NO.	A-1	PART NO.	