

## **AXIS D2110-VE Security Radar**

## **User Manual**

# AXIS D2110-VE Security Radar

## Table of Contents

---

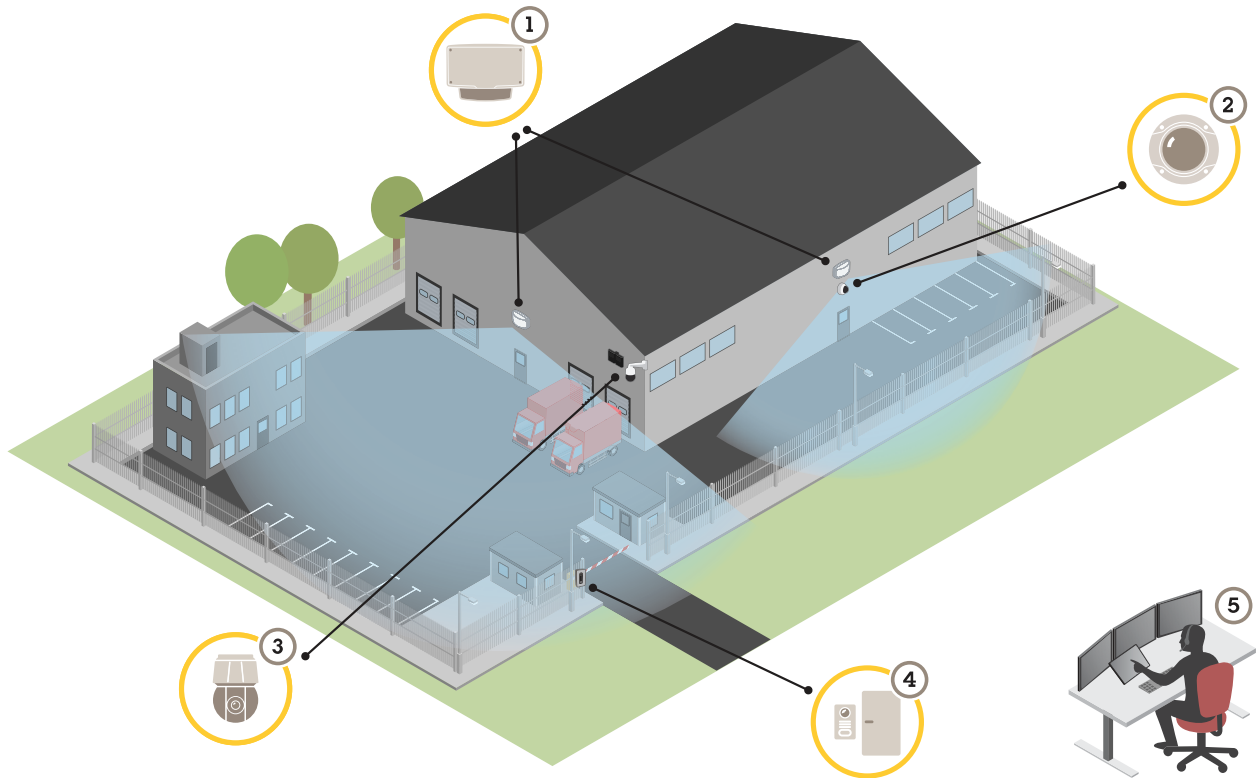
<b>Solution overview</b> .....	3
<b>Product overview</b> .....	4
Where to install the product .....	4
Mounting height .....	5
Mounting tilt .....	5
<b>Find the device on the network</b> .....	6
Access the device .....	6
Secure passwords .....	6
<b>Additional settings</b> .....	7
Need more help? .....	7
Configure the detector .....	7
How to configure the detector .....	8
Install multiple radars .....	8
Set up rules and alerts .....	9
How to record video from a camera when motion is detected .....	9
How to record radar data when motion is detected .....	9
How to turn on a light when motion is detected .....	10
How to control a PTZ camera with the detector .....	10
About detection zones .....	11
How to minimize false alarms .....	11
<b>Troubleshooting</b> .....	13
Reset to factory default settings .....	13
Check the current firmware .....	13
Upgrade the firmware .....	13
Technical issues, clues and solutions .....	13
Performance considerations .....	14
<b>Specifications</b> .....	15
SD card slot .....	15
Buttons .....	15
Connectors .....	15

# AXIS D2110-VE Security Radar

## Solution overview

---

### Solution overview



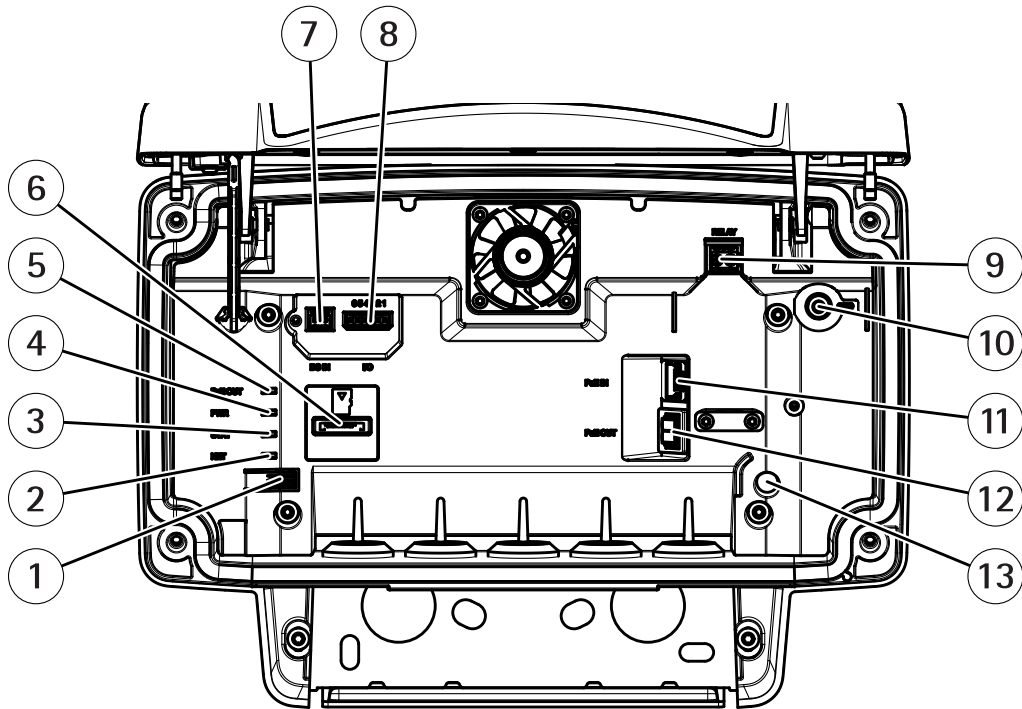
- 1 *AXIS D2110-VE*
- 2 *Fixed dome camera*
- 3 *PTZ camera and illuminator*
- 4 *Door controller*
- 5 *Surveillance center*

# AXIS D2110-VE Security Radar

## Product overview

---

### Product overview



- 1 Control button
- 2 Network LED
- 3 Status LED
- 4 Power LED
- 5 PoE out LED
- 6 microSD card slot
- 7 DC power connector
- 8 I/O connector
- 9 Relay connector
- 10 Grounding screw
- 11 Network connector (PoE in)
- 12 Network connector (PoE out)
- 13 Intrusion alarm sensor

### Where to install the product

#### Note

Do not repaint the detector. The paint may seriously impact the detector's performance.

The detector is intended for monitoring open areas. Any solid object (such as a tree or a bush) in the coverage area will create a blind spot (radar shadow) behind it.

Install the detector on a pole, or on a spot on a wall where there are no other objects or installations close to it.

To be able to correctly identify movement in the coverage area, the detector needs to be installed on a stable mount. Do not install the detector on a swaying pole.

If there are a lot of metal objects in the field of view there will be a lot of reflections impacting the performance.

# AXIS D2110-VE Security Radar

## Product overview

Avoid aiming the radar towards another radar.

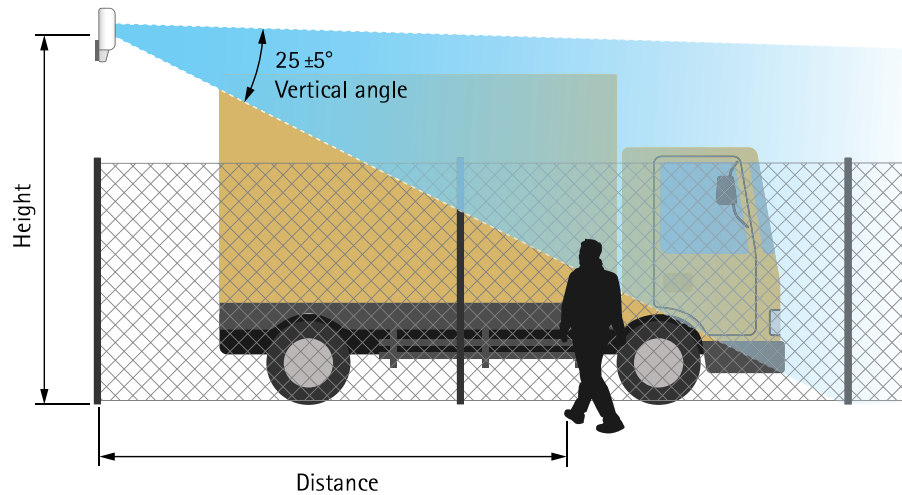
If more than two radar detectors are mounted close together they may interfere with each other. To avoid interference, see *Install multiple radars on page 8*.

### Mounting height

For optimal performance, install the detector 3.5 m (11 ft) above ground.

**Note**

If you install the detector at a different height, enter the actual mounting height in the product's web pages before calibrating the radar.



The following table shows the detection range at different mounting heights when detecting a 1.8 m (6 ft) tall person walking.

Mounting height	TBD	TBD	TBD	TBD
Near detection limit	TBD	TBD	TBD	TBD
Far detection limit (max. values)	TBD	TBD	TBD	TBD

### Mounting tilt

The detector is designed to be mounted 3.5 m above ground. When the detector is mounted higher up the near detection limit is impaired.

To improve the near detection limit, tilt the detector downwards with AXIS T91R61 Wall Mount.

The table shows the detection range for a human entering in the middle of the detection zone.

	Height: 3 m	Height: 4 m	Height: 5 m	Height: 6 m	Height: 7 m	Height: 8 m
Tilt: 0°	TBD	7.5–44.5 m	9–48.5 m	13.5–47 m	17–44 m	20.5–43 m
Tilt: -10°	3.5–36 m	5–33.5 m	6.5–40.5 m	8.5–38 m	11–46 m	13.5–47.5 m
Tilt: -20°	TBD	TBD	5–26 m	6.5–28 m	TBD	8–31 m

# AXIS D2110-VE Security Radar

## Find the device on the network

---

### Find the device on the network

To find Axis devices on the network and assign them IP addresses in Windows®, use AXIS IP Utility or AXIS Device Manager. Both applications are free and can be downloaded from [axis.com/support](https://axis.com/support).

For more information about how to find and assign IP addresses, see the document *How to assign an IP address and access your device* on the device page at [axis.com](https://axis.com).

### Access the device

1. Open a browser and enter the IP address or host name of the Axis device.

### Secure passwords

#### Important

Axis devices send the initially set password in clear text over the network. To protect your device after the first login, set up a secure and encrypted HTTPS connection and then change the password.

The device password is the primary protection for your data and services. Axis devices do not impose a password policy as they may be used in various types of installations.

To protect your data we strongly recommend that you:

- Use a password with at least 8 characters, preferably created by a password generator.
- Don't expose the password.
- Change the password at a recurring interval, at least once a year.

### Set a new password for the root account

#### Important

The default administrator username is **root**. If the password for root is lost, reset the device to factory default settings.

1. Type a password. Follow the instructions about secure passwords. See *Secure passwords* on page 6.
2. Retype the password to confirm the spelling.

# AXIS D2110-VE Security Radar

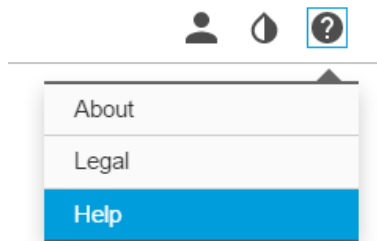
## Additional settings

---

### Additional settings

#### Need more help?

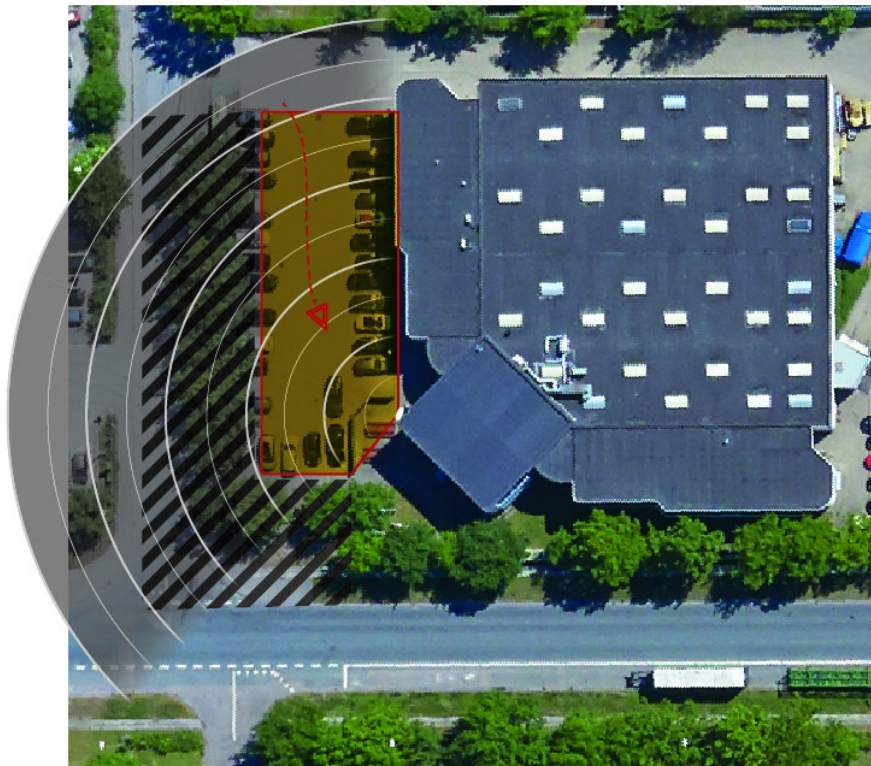
You can access the built-in help from the device's webpage. The help provides more detailed information on the device's features and their settings.



#### Configure the detector

The detector is ready to use as soon as it is installed. The default live view will show the radar coverage and any detected movement, and you can add detection zones and rules right away.

To make it easier to see where objects are moving, you can upload a reference map, for example a ground plan or an aerial photo, that shows the area covered by the radar detector.



# AXIS D2110-VE Security Radar

## Additional settings

---

Image requirements:

- Supported file formats are jpeg and png.
- Use an image with the same proportions (16:9) or resolution (1920x1080) as the live view. If the image is smaller it will be scaled to fit the window. If the proportions are wrong, the image will not fill the entire video stream.
- Crop the image to fit the coverage of the radar as closely as possible before uploading it.
- The orientation is not important, since the radar coverage shape will be moved to adapt to the image during calibration.

After uploading the reference map you need to calibrate the radar so that the actual radar coverage fits the position, direction and scale of the reference map.

There are two methods for calibrating the reference map:

- **Calibration using pins:** The calibration is performed in the web interface by dropping pins in know locations in the reference map and setting the distance between the pins.
- **Calibration using tracks:** The calibration method requires a person to move in front of the radar.

You can do this yourself while accessing the web interface from a mobile device, or have someone else move and follow your instructions.

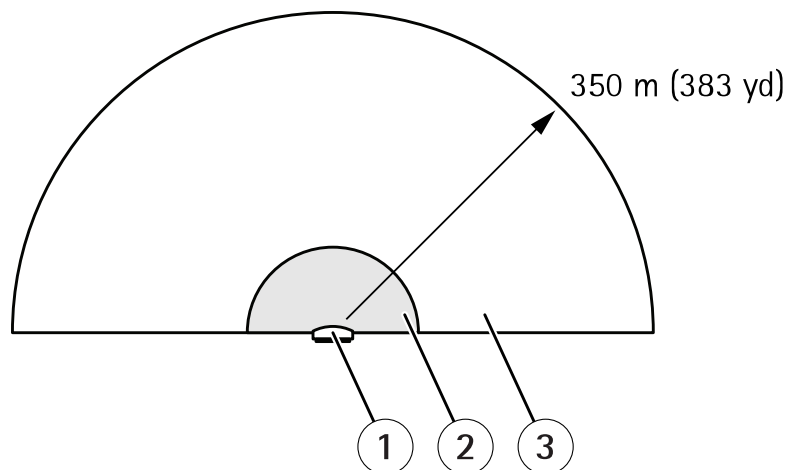
When moving around in the different steps, move to places that are easy to find in the reference map.

## How to configure the detector

1. To configure the radar, go to **Settings > Radar > Calibration**, click **Start** and follow the instructions.

## Install multiple radars

The radio waves continue beyond the detection area, and can interfere with other radars up to 350 m (383 yd) away.



- 1 Radar
- 2 Detection area
- 3 Coexistence area

To avoid problems when more than two radar detectors of are mounted close together, turn on Coexistence.



# AXIS D2110-VE Security Radar

## Additional settings

---

1. Go to **Settings > Radar > General** and select **Coexistence**.

### Set up rules and alerts

#### How to record video from a camera when motion is detected

This example explains how to set up the detector and a camera so that the camera starts recording to the SD card five seconds before the detector detects motion and to stop one minute after.

Connect the devices:

1. Connect a cable from an I/O output on the detector to an I/O input on the camera.

Configure the I/O port of the detector:

2. Go to **Settings > System > I/O ports** and configure the I/O port as an output and select the normal state.

Create a rule in the detector:

3. Go to **Settings > System > Events** and add a rule.
4. Type a name for the rule.
5. From the list of conditions, select an include zone under **Radar motion**. To set up an include zone, see *Add an include zone on page 11*.
6. From the list of actions, select **Toggle I/O while the rule is active** and then select the port that is connected to the camera.
7. Click **Save**.

Configure the I/O port of the camera:

8. Go to **Settings > System > I/O ports** and configure the I/O port as an input and select the normal state.

Create a rule in the camera:

9. Go to **Settings > System > Events** and add a rule.
10. Type a name for the rule.
11. From the list of conditions, select **Digital Input** and then select the port that should trigger the rule.
12. From the list of actions, select **Record video**.
13. Select an existing stream profile or create a new one.
14. Set the prebuffer to 5 seconds.
15. Set the postbuffer to 60 seconds.
16. Select **SD card** from the list of storage options.
17. Click **Save**.

#### How to record radar data when motion is detected

This example explains how to set up the detector to start recording to the SD card five seconds before it detects motion and to stop one minute after.

The recording will show the reference map with the trail of the moving object.

Create a rule:

# AXIS D2110-VE Security Radar

## Additional settings

---

1. Go to **Settings > System > Events** and add a rule.
2. Type a name for the rule.
3. From the list of conditions, select an include zone under **Radar motion**. To set up an include zone, see *Add an include zone on page 11*.
4. From the list of actions, select **Record video**.
5. Set the prebuffer to 5 seconds.
6. Set the postbuffer to 60 seconds.
7. Select **SD card** from the list of storage options.
8. Click **Save**.

### How to turn on a light when motion is detected

Turning on a light when an intruder enters the detection zone can have a deterring effect, and will also improve the image quality of a visual camera recording the intrusion.

This example explains how to set up the detector and an illuminator so that the illuminator turns on when the detector detects motion and turns off after one minute.

Connect the devices:

1. Connect one of the illuminator cables to the power supply via the relay port on the detector. Connect the other cable directly between the power supply and the illuminator.

Configure the relay port of the detector:

2. Go to **Settings > System > I/O ports** and select **Open circuit** as the normal state.

Create a rule in the detector:

3. Go to **Settings > System > Events** and add a rule.
4. Type a name for the rule.
5. From the list of triggers, select an include zone under **Radar motion**. To set up an include zone, see *Add an include zone on page 11*.
6. From the list of conditions, select **Toggle I/O once** and then select the relay port.
7. Select **Active**.
8. Set the **Duration**.
9. Click **Save**.

### How to control a PTZ camera with the detector

It is possible to use the information about objects' positions from the detector to make a PTZ camera track objects.

To do this, install the application **AXIS Radar Autotracking for PTZ** on your VMS server (or another computer with access to both the camera and the detector), and follow the instructions in the application.

To download **AXIS Radar Autotracking for PTZ**, go to [axis.com](http://axis.com).

# AXIS D2110-VE Security Radar

## Additional settings

---


### About detection zones

To determine where to detect motion, you can add multiple zones. Different zones can be used to trigger different actions.

There are two types of zones:

- An **include zone** is an area in which moving objects will trigger rules. The default include zone matches the entire area covered by the detector.
- An **exclude zone** is an area in which moving objects will be ignored. Use exclude zones if there are areas inside an include zone that trigger a lot of unwanted alarms.

### Add an include zone

1. Go to **Settings > RMD zones** and click **+**.
2. Select **Include zone**.
3. Select  to modify the settings of the zone. For more information, see the product's built in help.
4. Modify the shape of the include zone, see *Modify a detection zone on page 11*.

### Add an exclude zone

1. Go to **Settings > RMD zones** and click **+**.
2. Select **Exclude zone**.
3. Modify the shape of the exclude zone, see *Modify a detection zone on page 11*.

### Modify a detection zone

Use the mouse to move and shape the zone so that it covers the desired part of the reference map.

- To add a new corner, click on the zone border. Drag the corner to the desired position.
- To remove a corner, right-click on the corner.
- To move a corner, click and drag the corner to the new position.
- To move the zone, place the pointer inside the zone and drag the zone to the new position.

### How to minimize false alarms

If you notice that you get too many false alarms, you can filter out certain types of movement or objects, or change the coverage. Test which setting works best for your environment.

- **Modify the include and exclude zones:**  
If the include zone includes hard surfaces, such as a metal wall, there may be reflections that causes multiple detections for a single physical object. In this case, modify the include zone, see *Modify a detection zone on page 11*, or add an exclude zone that masks everything behind the surface, see *Add an exclude zone on page 11*.
- **Filter on movement:**  
Go to **Settings > Radar > Detection** and select **Ignore swaying objects**. This setting will minimize false alarms from trees, bushes, and flagpoles in the coverage zone.
- **Filter on time:**  
Go to **Settings > RMD zones** and select a zone to modify it's settings.

# AXIS D2110-VE Security Radar

## Additional settings

---

Enable **Short-lived object** and set a delay time from when the radar starts tracking an object until it can trigger an alarm. The timer starts when the radar first detects the object, not when the object enters the include zone.

- Filter on object type:

The detector will classify objects depending on the radar echo that they produce. If it can't determine the object type, the object will be classified as **Unidentified**.

Go to **Settings > RMD zones** and select a zone to modify its settings.

To avoid triggering on specific object types, enable the filter and deselect the object types that should not trigger events in this zone.

# AXIS D2110-VE Security Radar

## Troubleshooting

---

### Troubleshooting

If you can't find what you're looking for here, try the troubleshooting section at [axis.com/support](https://axis.com/support).

### Reset to factory default settings

#### Important

Reset to factory default should be used with caution. A reset to factory default resets all settings, including the IP address, to the factory default values.

To reset the product to the factory default settings:

It is also possible to reset parameters to factory default through the web interface. Go to and click **Default**.

### Check the current firmware

Firmware is the software that determines the functionality of network devices. One of your first actions when troubleshooting a problem should be to check the current firmware version. The latest version may contain a correction that fixes your particular problem.

To check the current firmware:

### Upgrade the firmware

#### Important

Preconfigured and customized settings are saved when the firmware is upgraded (provided that the features are available in the new firmware) although this is not guaranteed by Axis Communications AB.

#### Important

Make sure the product remains connected to the power source throughout the upgrade process.

#### Note

When you upgrade the product with the latest firmware in the active track, the product receives the latest functionality available. Always read the upgrade instructions and release notes available with each new release before upgrading the firmware. To find the latest firmware and the release notes, go to [axis.com/support/firmware](https://axis.com/support/firmware).

1. Download the firmware file to your computer, available free of charge at [axis.com/support/firmware](https://axis.com/support/firmware).
2. Log in to the product as an administrator.

### Technical issues, clues and solutions

If you can't find what you're looking for here, try the troubleshooting section at [axis.com/support](https://axis.com/support).

#### Problems upgrading the firmware

---

Firmware upgrade failure	If the firmware upgrade fails, the device reloads the previous firmware. The most common reason is that the wrong firmware file has been uploaded. Check that the name of the firmware file corresponds to your device and try again.
--------------------------	---

# AXIS D2110-VE Security Radar

## Troubleshooting

---

### Problems setting the IP address

---

The device is located on a different subnet	If the IP address intended for the device and the IP address of the computer used to access the device are located on different subnets, you cannot set the IP address. Contact your network administrator to obtain an IP address.
The IP address is being used by another device	Disconnect the Axis device from the network. Run the ping command (in a Command/DOS window, type <code>ping</code> and the IP address of the device): <ul style="list-style-type: none"><li>• If you receive: <code>Reply from &lt;IP address&gt;: bytes=32; time=10...</code> this means that the IP address may already be in use by another device on the network. Obtain a new IP address from the network administrator and reinstall the device.</li><li>• If you receive: <code>Request timed out</code>, this means that the IP address is available for use with the Axis device. Check all cabling and reinstall the device.</li></ul>
Possible IP address conflict with another device on the same subnet	The static IP address in the Axis device is used before the DHCP server sets a dynamic address. This means that if the same default static IP address is also used by another device, there may be problems accessing the device.

### The device cannot be accessed from a browser

---

Cannot log in	When HTTPS is enabled, ensure that the correct protocol (HTTP or HTTPS) is used when attempting to log in. You may need to manually type <code>http</code> or <code>https</code> in the browser's address field.
The IP address has been changed by DHCP	

### The device is accessible locally but not externally

---

To access the device externally, we recommend using one of the following applications for Windows®:

- AXIS Camera Station: 30-day trial version free of charge, ideal for small to mid-size systems. For instructions and download, go to [axis.com/vms](http://axis.com/vms).

## Performance considerations

The following factors are the most important to consider:

- Heavy network utilization due to poor infrastructure affects the bandwidth.

# AXIS D2110-VE Security Radar

## Specifications

---

### Specifications

To find the latest version of the product's datasheet, go to the product page at [axis.com](http://axis.com) and locate **Support & Documentation**.

#### LED Indicators

Status LED	Indication
Green	Steady green for normal operation.

Network LED	Indication
Green	Steady for connection to a 100 Mbit/s network. Flashes for network activity.
Amber	Steady for connection to a 10 Mbit/s network. Flashes for network activity.
Unlit	No network connection.

Power LED	Indication
Green	Normal operation.

PoE out LED	Indication
Unlit	PoE out turned off
Green	PoE out turned on

#### SD card slot

For SD card recommendations, see [axis.com](http://axis.com).



microSD, microSDHC, and microSDXC Logos are trademarks of SD-3C LLC. microSD, microSDHC, microSDXC are trademarks or registered trademarks of SD-3C, LLC in the United States, other countries or both.

#### Buttons

##### Control button

For location of the control button, see *Product overview on page 4*.

The control button is used for:

- Resetting the product to factory default settings. See *page 13*.
- Connecting to an AXIS Video Hosting System service. See . To connect, press and hold the button for about 3 seconds until the Status LED flashes green.

#### Connectors

##### Network connector

RJ45 Ethernet connector with Power over Ethernet Plus (PoE+).

# AXIS D2110-VE Security Radar

## Specifications

### Network connector (PoE out)

Use this connector to supply power to a camera.

Power over Ethernet IEEE802.3at Type 2, max 30W

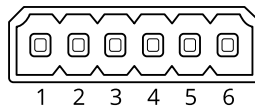
### I/O connector

Use the I/O connector with external devices in combination with, for example, motion detection, event triggering, and alarm notifications. In addition to the 0 V DC reference point and power (DC output), the I/O connector provides the interface to:

**Digital input** – For connecting devices that can toggle between an open and closed circuit, for example PIR sensors, door/window contacts, and glass break detectors.

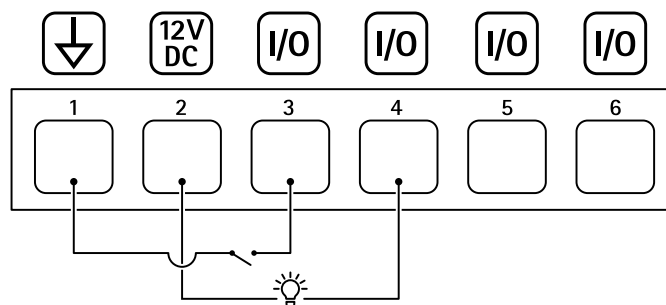
**Digital output** – For connecting external devices such as relays and LEDs. Connected devices can be activated by the VAPIX® Application Programming Interface or from the product's webpage.

6-pin terminal block



Function	Pin	Notes	Specifications
DC ground	1		0 V DC
DC output	2	Can be used to power auxiliary equipment. Note: This pin can only be used as power out.	12 V DC Max load = 50 mA
Configurable (Input or Output)	3–6	Digital input – Connect to pin 1 to activate, or leave floating (unconnected) to deactivate.	0 to max 30 V DC
		Digital output – Internally connected to pin 1 (DC ground) when active, and floating (unconnected) when inactive. If used with an inductive load, e.g., a relay, connect a diode in parallel with the load, to protect against voltage transients.	0 to max 30 V DC, open drain, 100 mA

Example



- 1 DC ground
- 2 DC output 12 V, max 50 mA
- 3 I/O configured as input
- 4 I/O configured as output
- 5 Configurable I/O
- 6 Configurable I/O



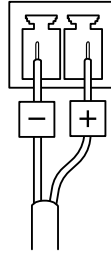
# AXIS D2110-VE Security Radar

## Specifications

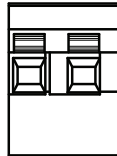
---

### Power connector

2-pin terminal block for DC power input. Use a Safety Extra Low Voltage (SELV) compliant limited power source (LPS) with either a rated output power limited to  $\leq 100$  W or a rated output current limited to  $\leq 5$  A.



### Relay connector



### **CAUTION**

Use single core wires for the relay connector.

Function	Specifications
Type	Normally open
Rating	30 V DC/5 A 125 V AC/10 A 250 V AC/5 A
Isolation from other circuitry	2.5 kV

