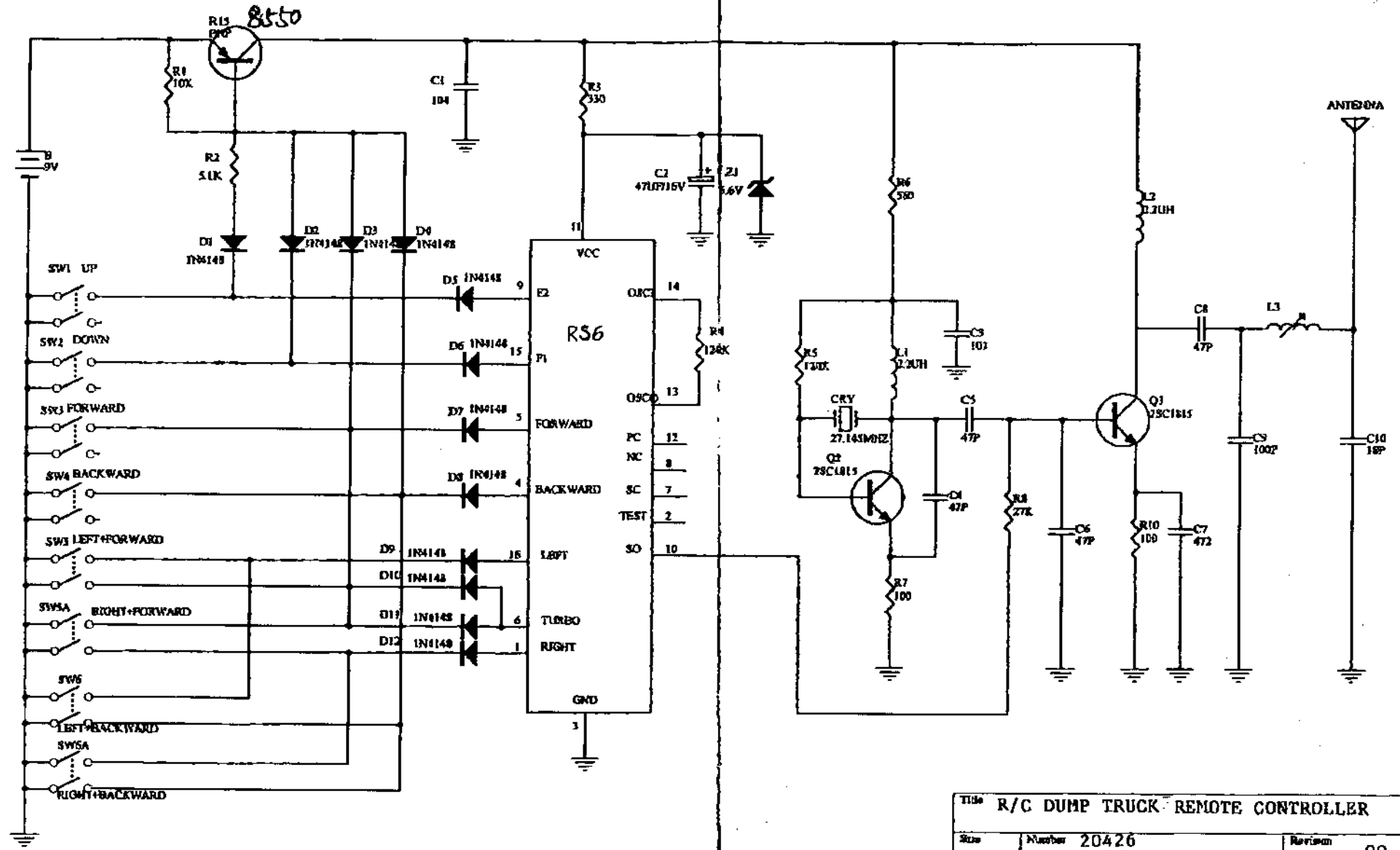


2/

PP.2

APR 27 '01 12:10PM BRANFORD LTP +852 2368 2087



Title R/C DUMP TRUCK REMOTE CONTROLLER		
Size A4	Number 20426	Revision 00
Date: 21-Apr-2001	Sheet of	
File: U:\8215\UDCTX.SCH	Drawn By:	

P.02

+852 2368 2087

27-APR-2001 12:21