

6

5

4

3

2

1

D

D

C

C

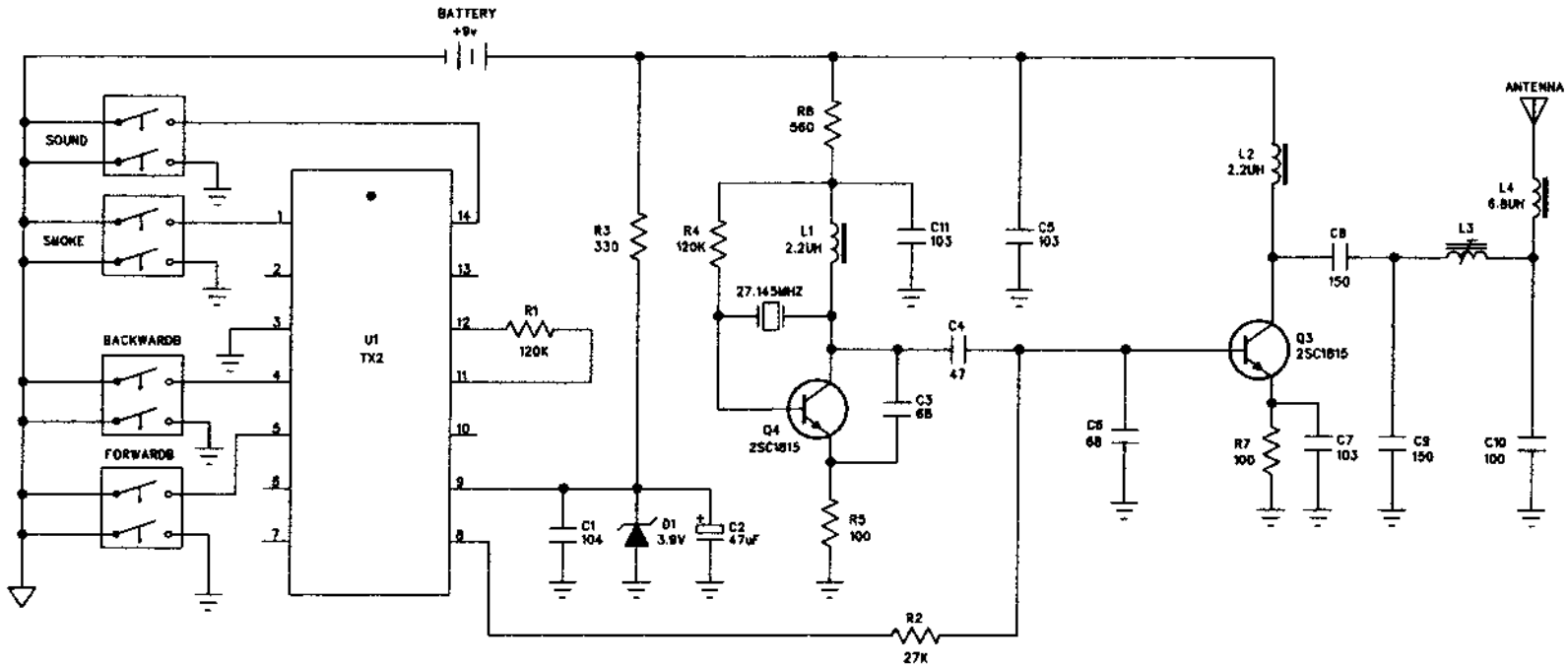
B

B

A

A

REVISION RECORD			
LTR	ECO NO:	APPROVED:	DATE:



**Transmit Circuit Diagram**

TITLE: **#SX7954**

DRAWN:	DATED: 5/5-2001	CODE:	SIZE:
CHECKED:	DATED:	DRAWING NO:	
QUALITY CONTROL:	DATED:	REV: C	
RELEASED:	DATED:	SCALE:	SHEET: OF

DRAWN:	DATED: 5/5-2001
CHECKED:	DATED:
QUALITY CONTROL:	DATED:
RELEASED:	DATED: