

6

5

4

3

2

1

REVISION RECORD			
LTR	ECC NO:	APPROVED:	DATE:

D

D

C

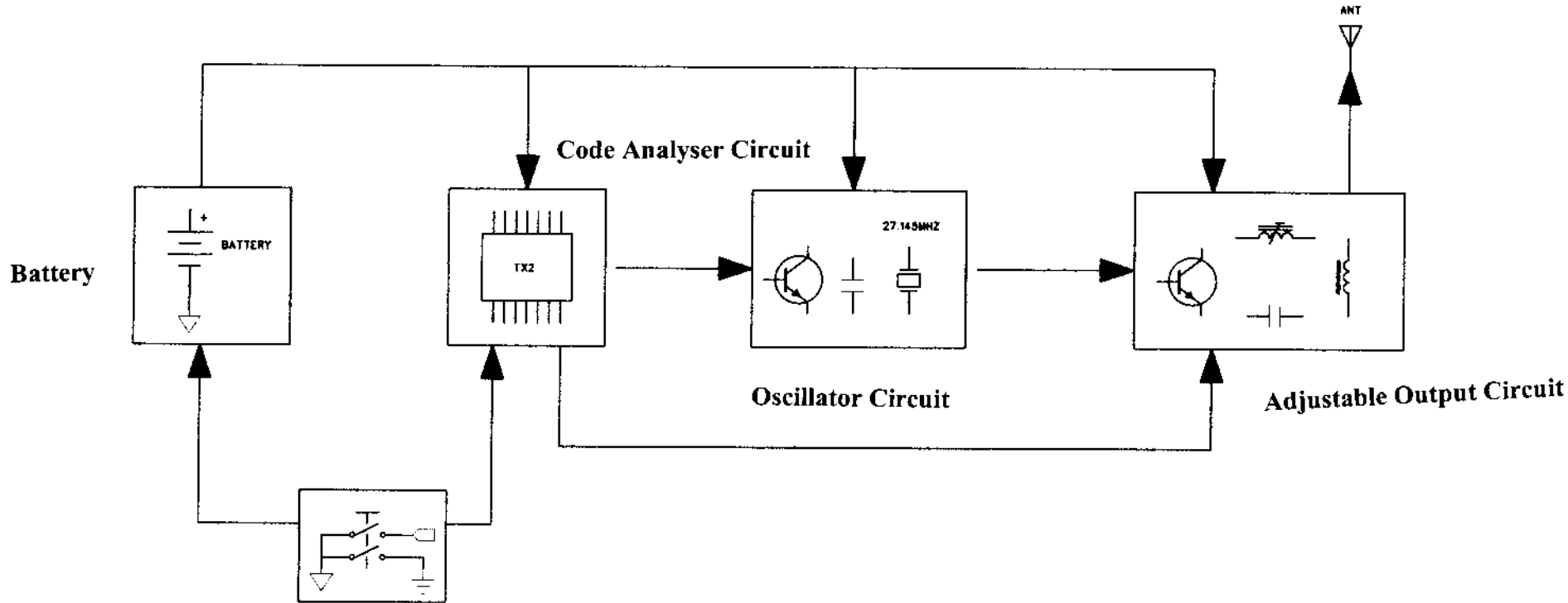
C

B

B

A

A



Transmit Block Diagram			
TITLE:			
#SX7954			
CODE:	SIZE:	DRAWING NO:	REV:
SCALE:		SHEET: OF	

DRAWN:	DATED:
CHECKED:	DATED:
QUALITY CONTROL:	DATED:
RELEASED:	DATED: