

2 8 7 9 5 4 1 2  
S X 8 0 1 4 1 M

# RADIO CONTROL LOCOMOTIVE AND COAL CAR



**CAUTION :**

Hair entanglement may result if child's head is too close to motorized wheels of this toy. Requires adult supervision. In case of accidental hair entanglement, turn off main switch immediately.

**Attention :** When playing indoors with this Radio Control toy, remote function is greatly effected by the following :

- ① Another radio control toy is being played near by.
- ② Improper RF sealed computer.
- ③ High electric motorized appliance (such as electric drill, vacuum cleaner, hair dryer, juice mixer, blender, motorised ride on toy .....etc.)
- ④ Toy is playing in a narrow pass way between metal window frame, steel column.

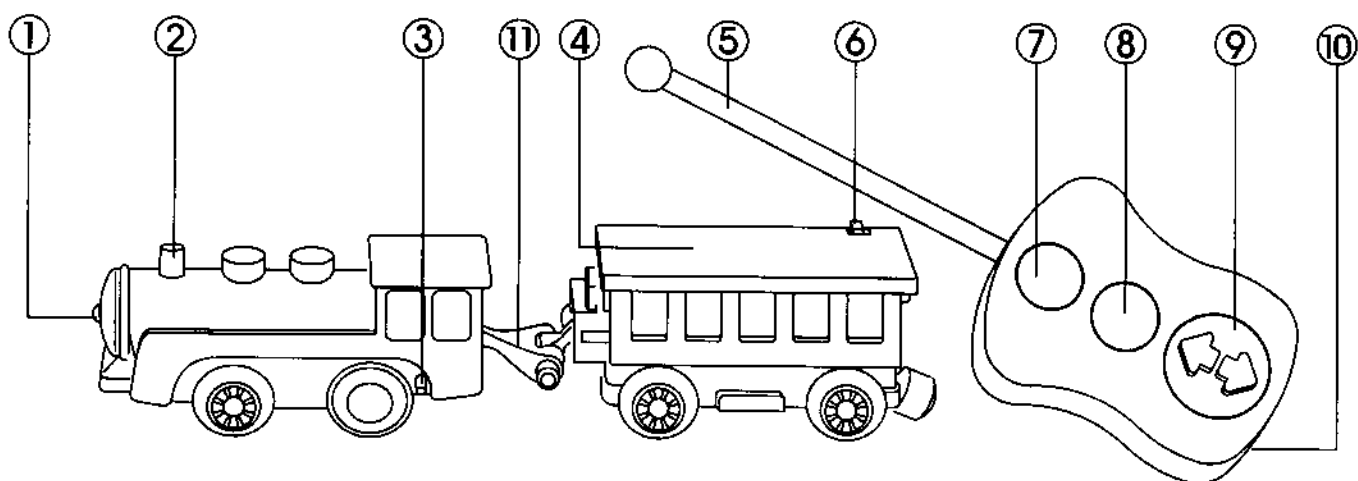
All this will greatly cut down the indoor remote function of toy from above 7 yards to below 5 yards, this is acceptable in terms of good quality of this product and law of U.S.A. The most desirable playing environment is in an open space with remote position far from ground.

**Warning :** Changes or modifications to this unit not expressly approved by the party responsible for compliance could void the user's authority to operate the equipment.

**NOTE:** This equipment has been tested and found to comply with the limits for a Class B digital device, pursuant to Part 15 of the FCC Rules. These limits are designed to provide reasonable protection against harmful interference in a residential installation. This equipment generates, uses and can radiate radio frequency energy and, if not installed and used in accordance with the instructions, may cause harmful interference to radio communications.

However, there is no guarantee that interference will not occur in a particular installation. If this equipment does cause harmful interference to radio or television reception, which can be determined by turning the equipment off and on, the user is encouraged to try to correct the interference by one or more of the following measures :

- Reorient or relocate the receiving antenna.
- Increase the separation between the equipment and receiver.
- Correct the equipment into an outlet on a circuit different from that to which the receiver is needed.
- Consult the dealer or an experienced radio/TV technician for help.



- |               |                         |                            |                            |
|---------------|-------------------------|----------------------------|----------------------------|
| ① Light       | ④ Battery Case          | ⑦ Sound Button             | ⑩ Battery Case for Control |
| ② Chimney     | ⑤ Transmitter Antenna   | ⑧ Smoke Button             | ⑪ Highly Flexible Joint    |
| ③ Pushing Rod | ⑥ Power switch (on/off) | ⑨ Forward / Reverse Button |                            |

**CAUTION :**

Do not use rechargeable batteries.  
 Do not mix old and new batteries.  
 Do not mix alkaline, standard (carbon-zinc), or rechargeable ( nickel-cadmium) batteries.  
 Only batteries of the same or equivalent type as recommended are to be used.  
 Non-rechargeable batteries are not to be recharged.  
 Batteries are to be inserted with the correct polarity.  
 Exhausted batteries are to be removed from the toy.  
 The supply terminals are not to be short-circuited.  
 Adult replace the batteries. Don't let children to do.

**Coal car :**

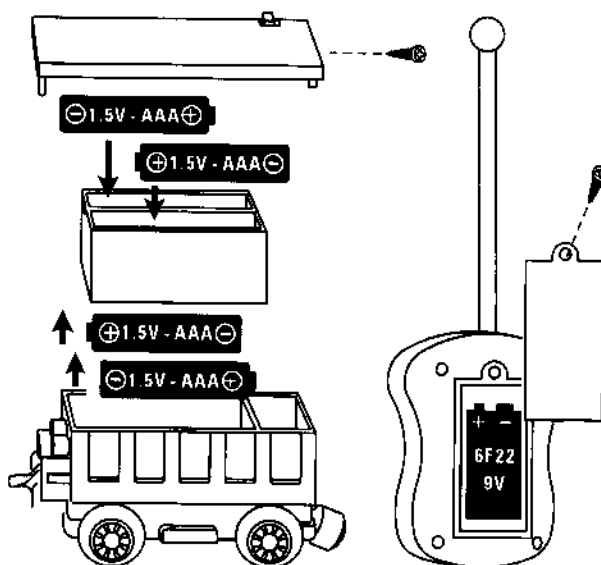
Uses 4 x AAA(1.5V) size batteries  
 Battery not included. DC 6V

**Battery compartment is located in the top of the coal car.**

**Radio Control :**

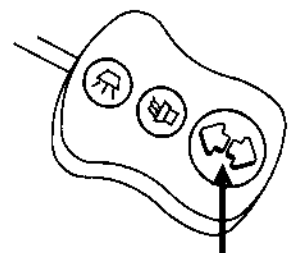
Uses 1 x 6F22(9V) size batteries  
 Battery not included. DC 9V

**Battery compartment is located in the bottom of the control.**

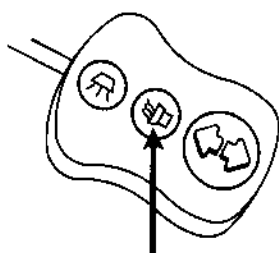


**How To Play**

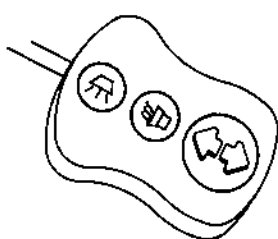
- ① Turn on power switch.



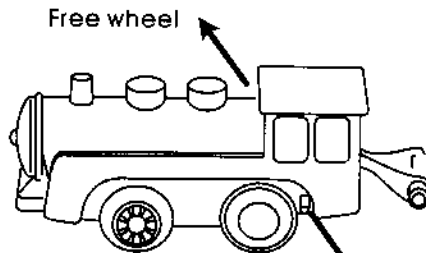
- ② Control for forward and reverse motion. Light is activated when train is moving.



- ③ Push button for smoke and train will go forward. (Player need to keep pushing button for 3-8 seconds before smoke come out.)



- ④ Push button for sound.



- ⑤ Push Rod to the left-hand side and the wheels will move freely. Push Rod to the right-hand side and the wheels will be engaged with motor for radio control.

**Don'ts**

- ① Don't put your train near any source of HEAT or expose to sunlight for a long time.
- ② Don't let the train get wet. Don't put into water, including pools or puddles.
- ③ Don't forget to turn off the train when not playing.
- ④ Don't twist or abuse the flexible joint connecting locomotive and coal car as this will damage the electronic control.
- ⑤ Don't stop the driving wheel of locomotive while the wheel is turning.