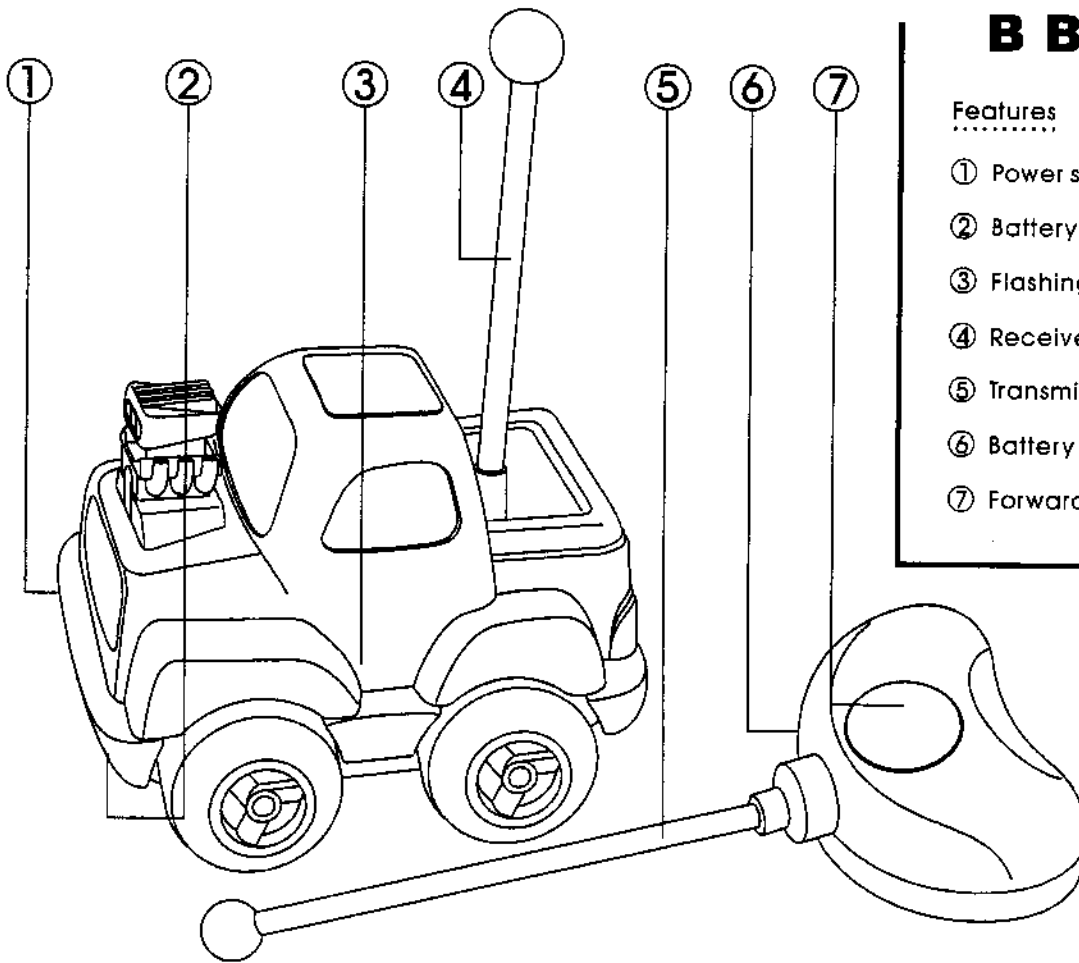


# RADIO CONTROL CAR

## BB3265



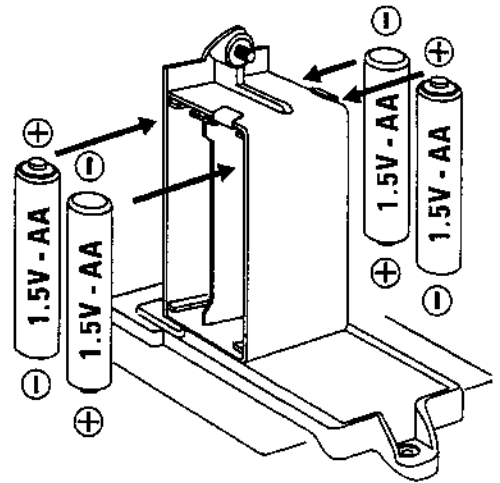
### Features

- ① Power switch (on/off)
- ② Battery Case (car)
- ③ Flashing Light
- ④ Receiver Antenna (car)
- ⑤ Transmitter Antenna (R/C)
- ⑥ Battery Case (R/C)
- ⑦ Forward/Turnaround Button

### Caution :

- ① Do not mix old and new batteries.
- ② Do not mix alkaline, standard ( carbon-zinc ), or rechargeable (nickel-cadmium ) batteries.
- ③ Non-rechargeable batteries are not to be recharged.
- ④ Rechargeable batteries are to be removed from the toy before being charged.
- ⑤ Rechargeable batteries are only to be charged under adult supervision.
- ⑥ Only batteries of the same or equivalent type as recommended are to be used.
- ⑦ Batteries are to be inserted with the correct polarity.
- ⑧ Exhausted batteries are to be removed from the toy.
- ⑨ The supply terminals are not to be short-circuited.
- ⑩ Any battery charger to be used with the toy should be regular examined for potential hazards, such as damage to the cable or cord, plug, enclosure or other parts, and that, in the event of such damage, the toy must not be used until that damaged has been properly removed.
- ⑪ Hair entanglement may result if child's head is too close to motorized wheels of this toy. Requires adult supervision. In case of accidental hair entanglement, turn off main switch immediately.

*Battery compartment is located in the bottom of the car.*



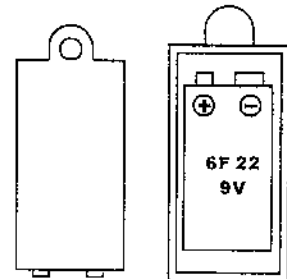
Car :

Uses 4 x AA (1.5V) size batteries  
Battery not included.

Remote Control :

Uses 1 x 6F22 (9V) size batteries  
Battery not included.

*Battery compartment is located in the bottom of the remote control.*



## How to Play :

- ① Turn on the power switch located in the bottom of the car and the car can have flashing light and engine sound.

## Remote Control Functions :

- ② **Forward :**  
Press and hold the button to run the car in forward. Once car starts moving it makes speed up engine sound. Release button to stop and when car stops it makes brake sound.
- ③ **Turnaround :**  
Press and hold the button once more, the car will turn counter-clockwise and have turning alarm sound. To stop the action, just let go of the button. It makes brake sound for a while and then stop.
- ④ **Repeat Forward Function :**  
When press and hold the button again, it will repeat to run the car in forward and makes speed up engine sound.

## Don'ts

- ① Don't put your car near any source of HEAT or expose to sunlight for a long time.
- ② Don't let the car get wet. Don't put into water, including pools or puddles.
- ③ Don't forget to turn off the car when not playing.

**Attention :** When playing indoors with this Radio Control toy, remote function is greatly effected by the following :

- ① Another radio control toy is being played nearby.
- ② Improper RF sealed computer.
- ③ High electric motorized appliance (such as electric drill, vacuum cleaner, hair dryer, juice mixer, blender, motorised ride on toy .....etc.)
- ④ Toy is playing in a narrow pass way between metal window frame, steel column.

All this will greatly cut down the indoor remote function of toy from above 4 metres, this is acceptable in terms of good quality of this product and law of U.S.A. The most desirable playing environment is in an open space with remote position far from ground.

The car may not go perfectly straight if floor is not flat or smooth.

**Warning :** Changes or modifications to this unit not expressly approved by the party responsible for compliance could void the user's authority to operate the equipment.

NOTE: This equipment has been tested and found to comply with the limits for a Class B digital device, pursuant to Part 15 of the FCC Rules. These limits are designed to provide reasonable protection against harmful interference in a residential installation. This equipment generates, uses and can radiate radio frequency energy and, if not installed and used in accordance with the instructions, may cause harmful interference to radio communications.

However, there is no guarantee that interference will not occur in a particular installation. If this equipment does cause harmful interference to radio or television reception, which can be determined by turning the equipment off and on, the user is encouraged to try to correct the interference by one or more of the following measures :

- Reorient or relocate the receiving antenna.
- Increase the separation between the equipment and receiver.
- Correct the equipment into an outlet on a circuit different from that to which the receiver is needed.
- Consult the dealer or an experienced radio/TV technician for help.