

BRANFORD

L I M I T E D

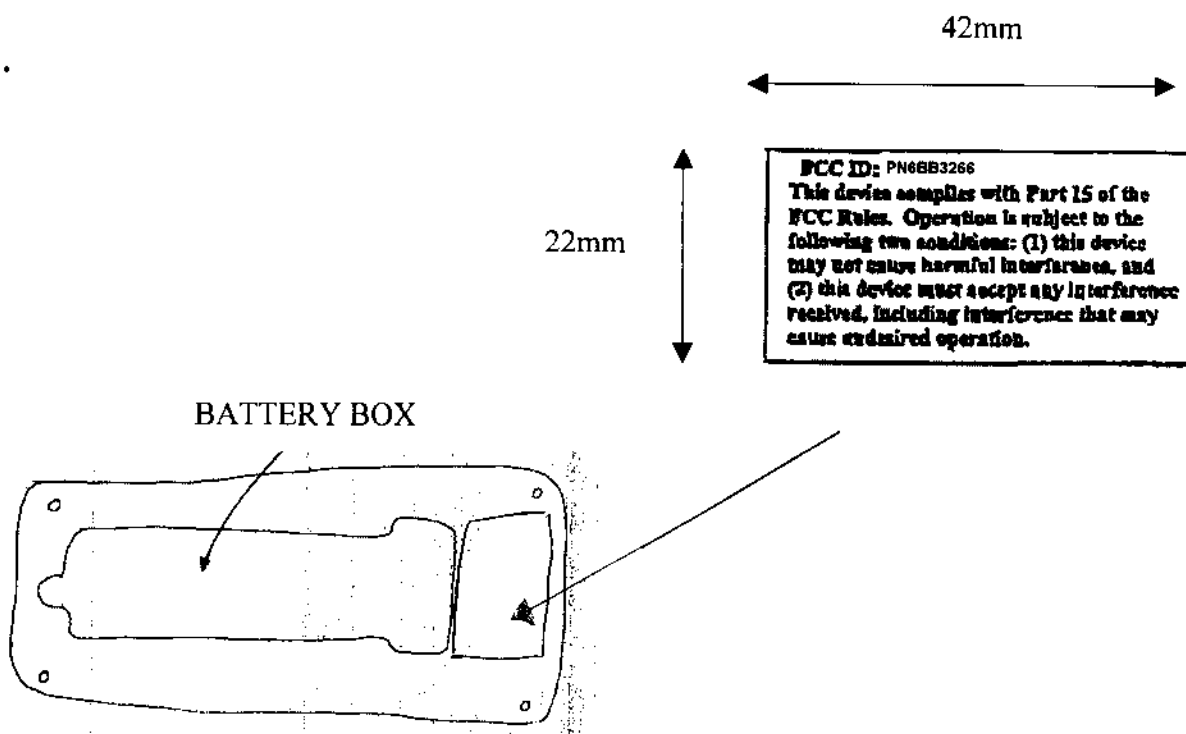
To: ITS
Attn: Miss Rita Chan
From: Dickson - BRANFORD LTD.
Date: 10 Jun 2001

RE: BB3266 Jeepster Receiver

It is confirmed that the below label will be added on the back of the remote controller as below figure.

FCC ID: PN6BB3266

This device complies with Part 15 of the FCC Rules. Operation is subject to the following two conditions: (1) this device may not cause harmful interference, and (2) this device must accept any interference received, including interference that may cause undesired operation.



15TH FLOOR, RAILWAY PLAZA, 39 CHATHAM ROAD SOUTH, TSIMSHATSUI, KOWLOON, HONG KONG.

TEL: (852) 2368-0613 FAX: (852) 2368-2087