

TEST REPORT

No. AR19-0043508-01

performed in accordance with

**FCC Rules: Code of Federal Regulations (CFR) no. 47
Part 15 Subpart C Section 15.231**

PRODUCT	LPD transmitter
MODEL(s) TESTED	ON3EBD/A
FCC ID	PMLON3EBDA
TRADE MARK(s)	NICE

APPLICANT	NICE S.p.A. ~ Via Pezza alta, 13 ~ I-31046 Rustignè di Oderzo (TV)
------------------	--

Tested by	Robertino Torri <i>[Laboratory technician]</i>	
Approved by	Giovanni Di Turi <i>[Laboratory manager]</i>	

Revision Sheet

Release No.	Date	Revision Description
Rev. 0	2019-09-12	First edition Digital signed - AR19-0043508-01_TR_FCC Part C 15.231 - NICE - ON3EBD_A

1. GENERAL DATA

SAMPLE		
Samples received on	2019-09-03	(Item(s) sampled and sent by applicant)
IMQ reference samples	BEM	96821
Samples tested No.	1	
Object under analysis recognition	Not carried out Except where stated, characteristics of products were taken from client description and were not verified by the laboratory	
Date of acceptance of test item	2019-09-03	
TEST LOCATION		
Testing dates	2019-09-03	
Testing laboratory.	IMQ S.p.A. - Via Quintiliano, 43 – I-20138 Milano	
Testing site	Via Quintiliano, 43 – I-20138 Milano	
ENVIRONMENTAL CONDITIONING		
<i>Parameter</i>	<i>Measured</i>	
Ambient Temperature	22.5 °C	
Relative Humidity	47 %	
Atmospheric Pressure	965 mbar	
The laboratory is monitored by a continuous environmental conditions measurements system. Temperature, humidity and pressure data are recorded on a weekly basis and stored in local archive.		
REMARKS		
Throughout this report a point is used as the decimal separator. The ability or reliability of this product to perform its intended function in a particular application has not been investigated. IMQ declines any responsibility derived from missing or wrong information provided aside by the applicant.		

2. REFERENCE DOCUMENT

	DOCUMENT	DATE	TITLE
<input checked="" type="checkbox"/>	47 CFR Part 15	2015	Radio Frequency Device
<input checked="" type="checkbox"/>	ANSI C63.4	2014	Methods of Measurement of Radio-Noise Emissions from Low-Voltage Electrical and Electronic Equipment in the Range of 9 kHz to 40 GHz
<input checked="" type="checkbox"/>	ANSI C63.10	2013	American National Standard for Testing Unlicensed Wireless Devices

3. EQUIPMENT UNDER TEST (EUT) DETAILS

GENERAL DATA (According to manufacturer declaration)

MODEL (basic)	Description
ON3EBD/A	LPD transmitter
MODEL (derivated)	Description
/	/

FCC ID	PMLON3EBDA
---------------	------------

Manufacturer	NICE S.p.A. ~ Via Pezza alta, 13 ~ I-31046 Rustignè di Oderzo (TV)
---------------------	--

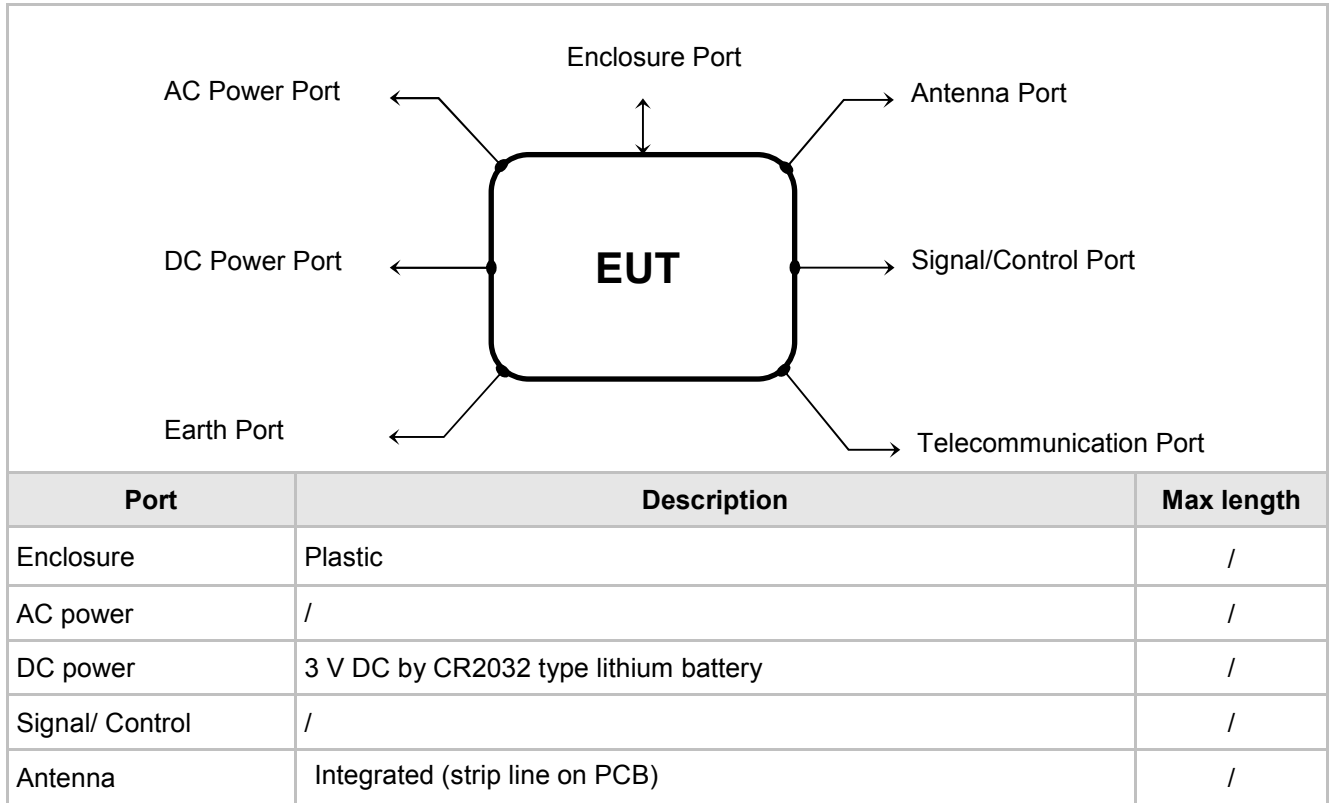
Type of equipment	LPD transmitter
Operating frequency	433.92 MHz
Max radiated peak power	81.04 dB μ V/m (at 3m distance)
Modulation	2GFSK / AM-OOK
Channel Spacing	/
Channel bandwidth	200 kHz
Antenna	Integrated (strip line on PCB)
Number of channels	/

Note: The receiver can only memorize transmitter belonging to one of the following encoding families: "BD" encoding or "O-code/A" encoding

<p>"BD"</p> <p>With these encoding families, reception and transmission are supported.</p> <p>Modulation: 2GFSK (BT = 0.5)</p>	<p>"O-code/A"</p> <p>With these encoding families, only reception is supported.</p> <p>Modulation AM-OOK</p>
--	--

4. TEST CONFIGURATION OF EQUIPMENT UNDER TEST

EUT PORTS



STATE OF THE EUT DURING TESTS

Ref.	Transmission Mode	Description
#1	CW	Continuous unmodulated transmission mode (constant tone)
#2	Modulated	Continuous modulated transmission (PBRS9 duty cycle close to 100%)
#3	Normal operating	Receiving mode / Normal transmission (button push)

SUPPORT EQUIPMENT

Defined as equipment needed for correct operation or loading of the EUT, but not considered as tested:

Equipment	Manufacturer	Model
/	/	/

ELECTROMAGNETICALLY RELEVANT COMPONENTS

Component	No.	Manufacturer	Model
PCB board	1	NICE	673-A - R10

RFI SUPPRESSION DEVICES

Component	No.	Manufacturer	Model
/	/	/	/

EMI PROTECTION DEVICES

Component	No.	Manufacturer	Model
/	/	/	/

EUT TECHNICAL DOCUMENTATION

Document	Reference
/	/

5. METHODS OF MEASUREMENT

All compliance measurements have been carried out using the procedures described in the standard ANSI C63.4:2014, ANSI C63.10:2013 and Section 15.31 of CFR47 Part 15 – Subpart A (General).

Additional test requirements have been adopted according to the reference Section indicated in the § 6 of this test report.

FREQUENCY RANGE INVESTIGATED

Radiated emission tests: from 30 MHz to tenth harmonic of fundamental.

6. SUMMARY OF TEST RESULTS

POSSIBLE TEST CASE VERDICTS:	
Test object meets the requirement	PASS
Test object does not meet the requirement	FAIL
Test case does not apply to the test object	N.A.
Test not performed	N.P.

CFR47 Part 15	TITLE	RESULT
§ 15.203	Antenna Requirements	PASS
§ 15.207 (a)	Conducted Emission	N.A.
§ 15.205 - 15.209	Radiated Emission	PASS
§ 15.231 (b)	Field Strengths	PASS
§ 15.231 (a) (1)	Duration of manually activated transmission	PASS
§ 15.231 (a) (2)	Duration of automatically activated transmission	N.A.
§ 15.231 (a) (3)	Transmission at predetermined / regular intervals	N.A.
§ 15.231 (a) (4)	Pendency of transmission used during emergencies	N.A.
§ 15.231 (a) (5)	Transmission of set-up information for security systems	N.A.
§ 15.231 (c)	Bandwidth of the emission	PASS
§ 15.231 (d)	Frequency stability in band 40.66-40.70 MHz	N.A.

PERIODIC OPERATION – PERIODIC RATE EXCEEDING THAT SPECIFIED IN PARAGRAPH 15.231 (A)		
CFR47 Part 15	TITLE	RESULT
§ 15.209 (a) (f) § 15.231 (e)	Radiated Emission	N.A.
§ 15.231 (e)	Duration of transmission & periods between transmissions	N.A.

7. TEST RESULTS

7.1 ANTENNA REQUIREMENTS

TEST REQUIREMENT

An intentional radiator shall be designed to ensure that no antenna other than that furnished by the responsible party shall be used with the device. The use of a permanently attached antenna or of an antenna that uses a unique coupling to the intentional radiator shall be considered sufficient to comply with the provisions of this Section. The manufacturer may design the unit so that a broken antenna can be replaced by the user, but the use of a standard antenna jack or electrical connector is prohibited. This requirement does not apply to carrier current devices or to devices operated under the provisions of Sections 15.211, 15.213, 15.217, 15.219, or 15.221. Further, this requirement does not apply to intentional radiators that must be professionally installed, such as perimeter protection systems and some field disturbance sensors, or to other intentional radiators which, in accordance with Section 15.31(d), must be measured at the installation site. However, the installer shall be responsible for ensuring that the proper antenna is employed so that the limits in this Part are not exceeded.

Testing dates	2019-09-04
---------------	------------

Antenna specifications

N° of authorized antenna types	1
Antenna type	Integrated
Connector type	/
Maximum total gain	/
External power amplifiers	Not present

Note: /

TEST RESULT

The EUT meets the requirements of section 15.203 and 15.204

7.2 RADIATED DISTURBANCES

TEST REQUIREMENT	
Test setup	ANSI C63.4
Test facility	Semi-anechoic chamber
Test distance	3 meters
Frequency range	30 MHz to tenth harmonic of fundamental (or 1 GHz)
IF bandwidth (below 1,000 MHz)	120 kHz
IF bandwidth (above 1,000 MHz)	1 MHz
Deviation to test procedure	None
Limits	sections 15.209 (a) & 15.231 (b)
EUT operating condition	#2
Remark	(* In accordance with part 15.31 (f) (2), where the measurement distance was specified to be 30 or 300 meters, a correction factor was applied in order to permit measurement to be performed at a separation distance. The applied formula for limits at 3 meter is: Extrapolation (dB) = $40\log(300\text{meter} / 3\text{meter}) = +80\text{db}$ Extrapolation (dB) = $40\log(30\text{meter} / 3\text{meter}) = +40\text{db}$
Testing dates	2019-09-04

TEST RESULT

The EUT meets the requirements of sections 15.209 (a) & 15.231 (b)

LIMITS FOR SPURIOUS

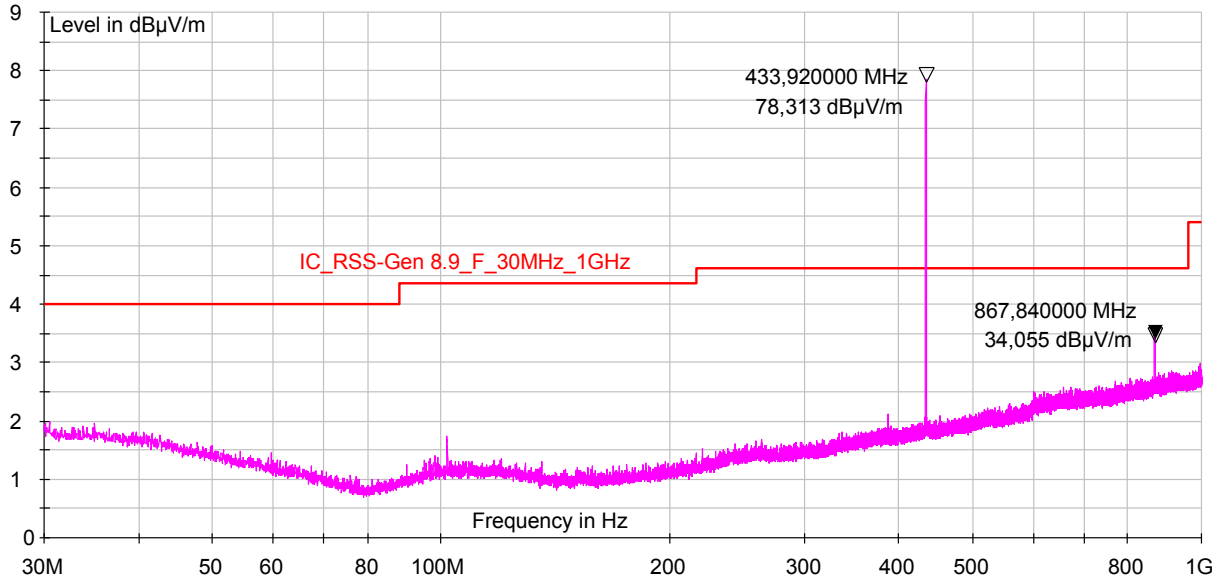
Band of operations	Peak (dB μ V/m)	Average Limit (dB μ V/m)
Restricted bands (par. 15.205)	74	54
Other bands	According to 15.209 or fundamental –20dB (which is greater)	According to 15.209 or fundamental –20dB (which is greater)

TEST PROCEDURE

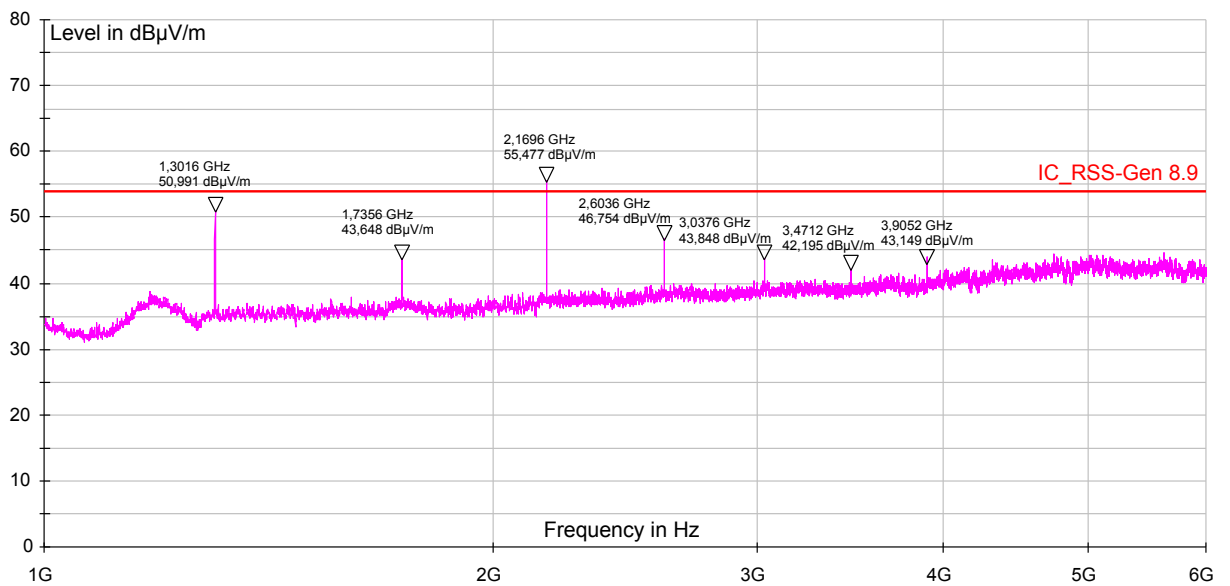
- 1) The EUT was placed on turntable which is 0.8 m above the ground plane
- 2) The turntable shall rotate from 0° to 360° degrees to determine the position of maximum emission level.
- 3) The EUT is positioned 3 m away from the receiving antenna which varied from 1 to 4 m to find the highest emission.
- 4) The measurements were made with the detector set to PEAK and AVERAGE amplitude within a bandwidth of 100 kHz below 1000 MHz and 1 MHz above 1000 MHz.
- 5) The receiving antenna was positioned in both horizontal and vertical polarization.
- 6) The measurements with Quasi-Peak detector, below 1000 MHz are performed only for frequencies for which the Peak values are \geq (Q.P. limit – 6 dB).

MEASUREMENTS RESULTS

RANGE: 30 ÷ 1000 MHz



RANGE: >1000 MHz



AM-OOK MODULATION

Frequency (MHz)	PK (dB μ V/m)	AVcf (dB)	AV (dB μ V/m)	AV LIMIT (dB μ V/m)	MARGIN (dB)
433.920(fundamental)	78.313	-6.02	72.293	80.82	8.527
867.840	34.055	-6.02	28.035	54	25.965
1301.60	50.991	-6.02	44.971	54	9.029
1735.60	43.648	-6.02	37.628	54	16.372
2169.60	55.477	-6.02	49.457	54	4.543
2603.60	46.754	-6.02	40.734	54	13.266
3037.60	43.848	-6.02	37.828	54	16.172
3471.20	42.195	-6.02	36.175	54	17.825
3905.60	43.149	-6.02	37.129	54	16.871

2GFSK MODULATION

Frequency (MHz)	PK (dB μ V/m)	AVcf (dB)	AV (dB μ V/m)	AV LIMIT (dB μ V/m)	MARGIN (dB)
433.920(fundamental)	78.313	-10.4	67.913	80.82	12.907
867.840	34.055	-10.4	23.655	54	30.345
1301.60	50.991	-10.4	40.591	54	13.409
1735.60	43.648	-10.4	33.068	54	20.932
2169.60	55.477	-10.4	45.077	54	8.923
2603.60	46.754	-10.4	36.354	54	17.646
3037.60	43.848	-10.4	33.448	54	20.552
3471.20	42.195	-10.4	31.795	54	22.205
3905.60	43.149	-10.4	32.749	54	21.251

7.4 FIELD STRENGTHS

TEST REQUIREMENT	
Spectrum analyzer settings	
Span	Wide enough to capture the peak level of the emission
Resolution bandwidth (RBW)	100 kHz
Video bandwidth (VBW)	300 kHz
Sweep time (SWT)	2.5 ms
Detector function	Peak
Trace	Max hold
Attenuator	/
Deviation to test procedure	None
EUT operating condition	#1
Remark	None
Testing dates	2019-09-04

TEST PROCEDURE
Radiated measurements:
As the EUT is supplied with a dedicated antenna, the effective radiated power is measured in a 3 m anechoic chamber with the substitution antenna method

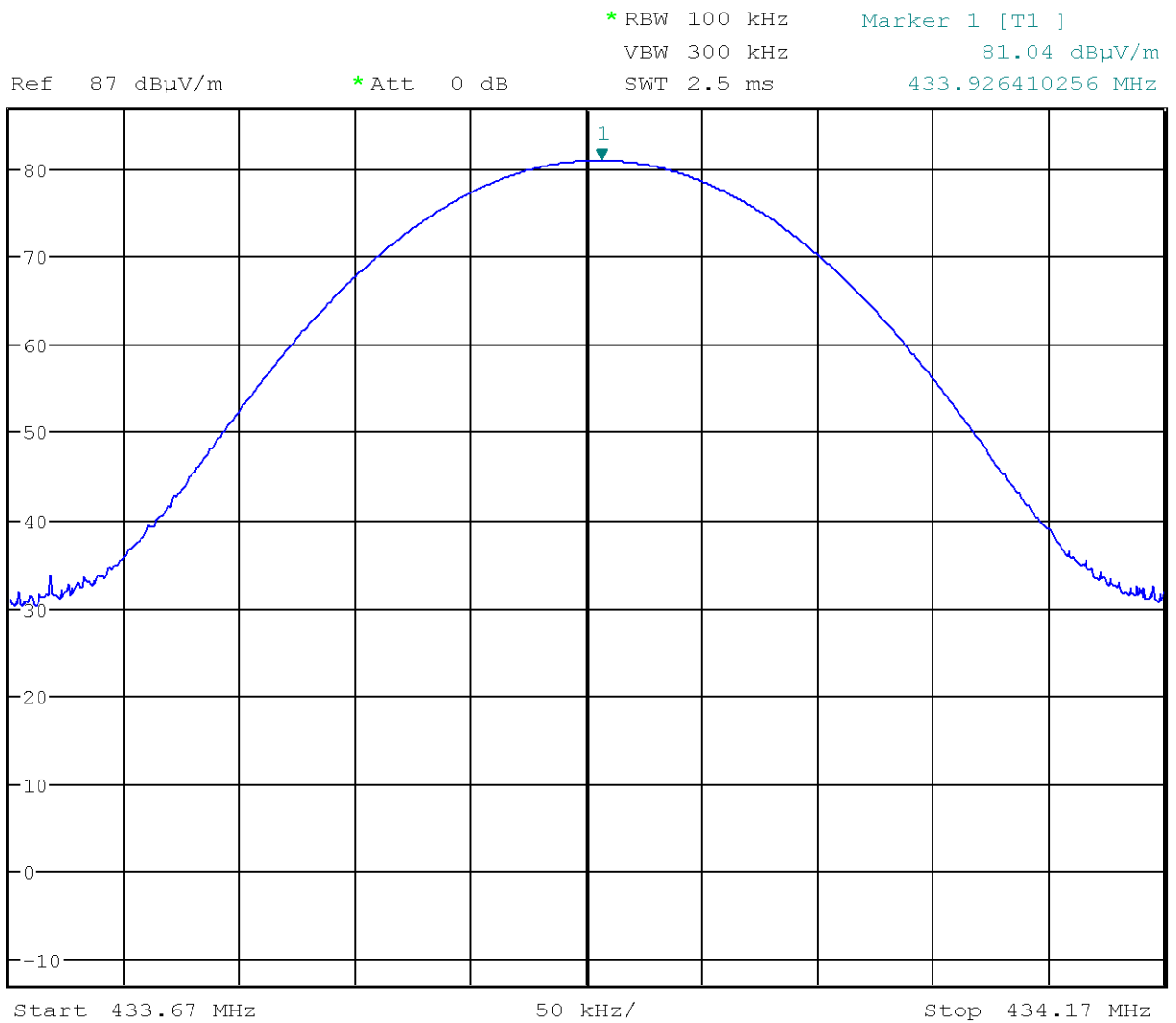
LIMITS
For 260-470 MHz: Frequency Strength ($\mu\text{V}/\text{m}$) = $(41.67 \times f) - 7083$ $(41.67 \times 433.92) - 7083 = 10998.4464 \mu\text{V}/\text{m} = 80.83 \text{ dB}\mu\text{V}/\text{m}$ (AV); 100.83 dB $\mu\text{V}/\text{m}$ (PK) Average correction factor: -6.02dB (see page 15 for correction factor determination).

TEST RESULT
The EUT meets the requirements of § 15.231 (b)

FIELDS STRENGTH RESULTS (RADIATED)

Channel (No.)	Frequency (MHz)	Modulation type	Detector	Radiated Output Power (at 3m. distance) (dBµV/m)	Limit (dBµV/m)
1	433.927	CW	PK	81.04	100.83
1	433.927	AM	AV (calculated)	75.02	80.83
1	433.927	2GFSK	AV (calculated)	70.64	80.83

Plot 1



7.5 CHARACTERISTICS OF TRANSMISSION

TEST REQUIREMENT § 15.231 (a)

The provisions of this Section are restricted to periodic operation within the band 40.66 -MHz and above 70 MHz. Except as shown in paragraph (e) of this Section, the intentional radiator restricted to the transmission of a control signal such as those used with alarm systems, door openers, remote switches, etc. Continuous transmissions, voice, video and the radio control of toys are not permitted. Data is permitted to be sent with a control signal. The following conditions shall be met to comply with the provisions for this periodic operation:

- (1) A manually operated transmitter shall employ a switch that will automatically deactivate the transmitter within not more than 5 seconds of being released.
- (2) A transmitter activated automatically shall cease transmission within 5 seconds after activation.
- (3) Periodic transmissions at regular predetermined intervals are not permitted. However, polling or supervision transmissions, including data, to determine system integrity of transmitters used in security or safety applications are allowed if the total duration of transmissions does not exceed more than two seconds per hour for each transmitter. There is no limit on the number of individual transmissions, provided the total transmission time does not exceed two seconds per hour.
- (4) Intentional radiators which are employed for radio control purposes during emergencies involving fire, security, and safety of life, when activated to signal an alarm, may operate during the pendency of the alarm condition.
- (5) Transmission of set-up information for security systems may exceed the transmission duration limits in paragraphs (a)(1) and (a)(2) of this section, provided such transmission are under the control of a professional installer and do not exceed ten seconds after a manually operated switch is released or a transmitter is activated automatically. Such set-up information may include data.

EUT operating condition	#3
Testing dates	2019-09-04

LIMITS

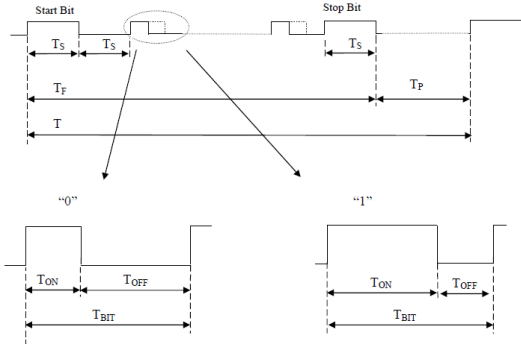
TX time < 5 s

TEST RESULT

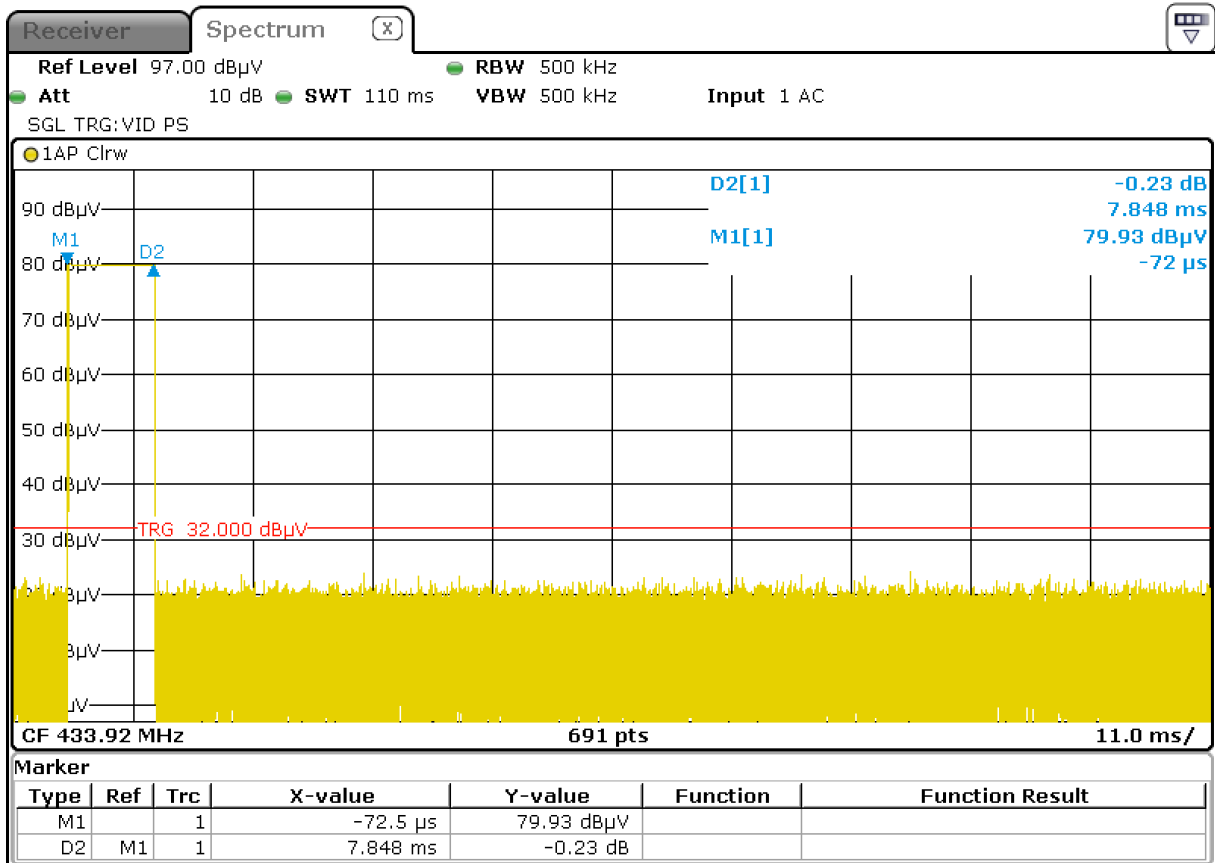
The EUT meets the requirements of sections 15.231 (a)

MEASUREMENTS RESULTS

The code word is made up of several parts. Each code word contains a Start Bit (0.66ms+0.66ms), 72bit of data and a Stop Bit (0.66ms) followed by a guard period (50.5ms) before another code word can begin.



2GFSK MODULATION PLOT

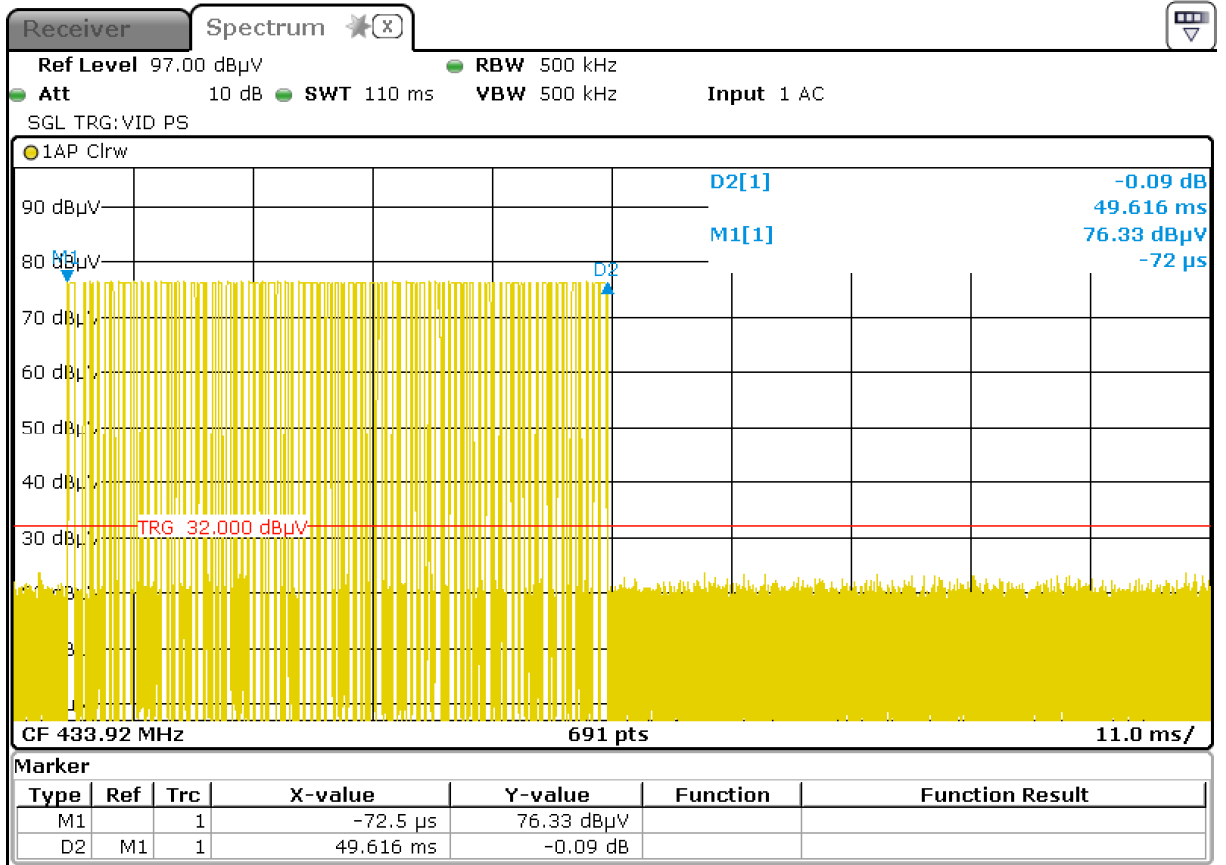


Frame period = 49.5 ms Pause = 50.5 ms
 Start bit = 0.66ms + 0.66ms Single bit = 0.66 ms
 Impulse type "0" = on = 0.22 ms, off = 0.44 ms
 Impulse type "1" = on = 0.44 ms, off = 0.22 ms
 Stop bit = 0.66 ms
 Tx on (GFSK mod.) = 0.66 + 72*0.44 + 0.66 = 33 ms (worst case)

Duty-cycle in 100ms = Tx on/100 ms = 0.33 ms (worst case)

Average correction factor (AVcf) = 20log(0.5) = -10.4dB

AM-OOK MODULATIO PLOT



Tx on (AM-OOK mod.) = 50 ms

WORST CASE DUTY CYCLE

Duty-cycle in 100ms = Tx on/100 ms = 0.5 ms (worst case)

Average correction factor (AVcf) = $20\log(0.5) = -6.02\text{dB}$

7.6 BANDWIDTH OF EMISSION IN PERIODIC TRANSMISSION

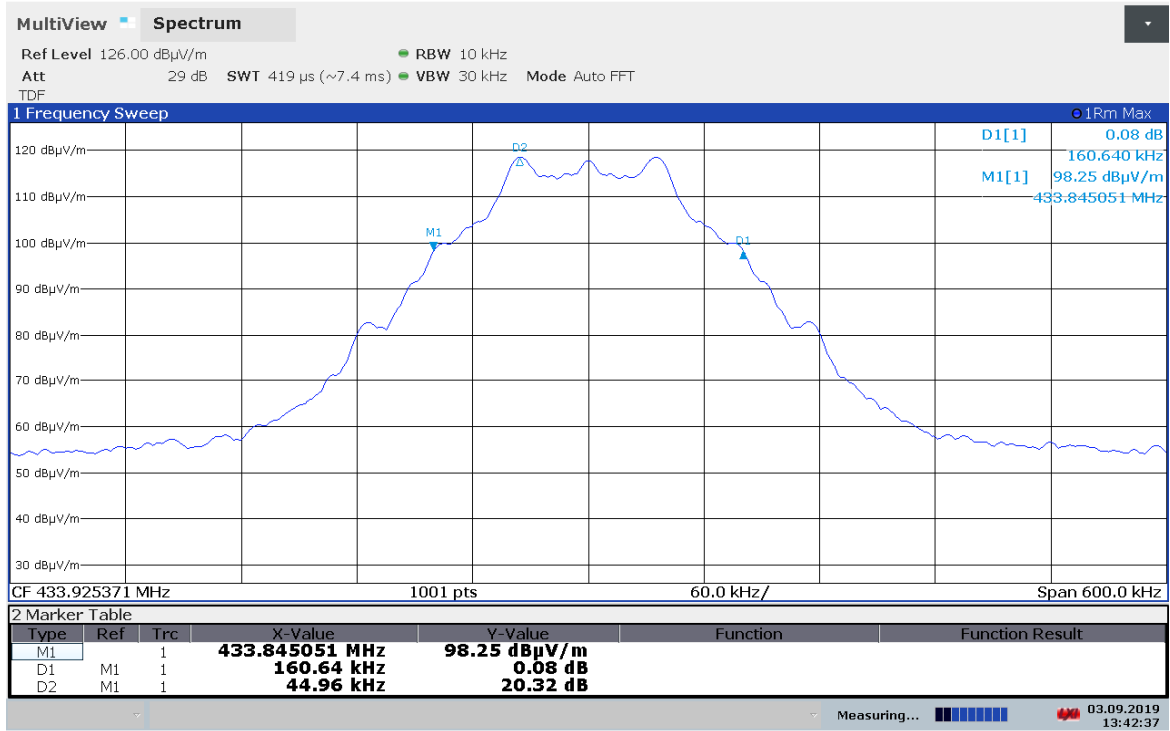
TEST REQUIREMENT	
Test setup	ANSI C63.4
Test facility	Semi-Anechoic chamber
Frequency range	Over 70MHz
Resolution BW	See next table
Deviation to test procedure	None
Limits	0.25% of the center frequency (in Range 70-900MHz) 0.5 % of the center frequency (for frequencies above 900MHz)
EUT operating condition	#2
Remark	None
Testing dates	2019-09-04

TEST RESULT
The EUT meets the requirements of sections 15.231 (c)

ANSI C63-4 SPECIFICATION								
<p>13.1.7 Occupied bandwidth measurements</p> <p>In order to measure the modulated signal properly, a resolution bandwidth that is small compared with the bandwidth required by the procuring or regulatory agency shall be used on the measuring instrument. However, the resolution bandwidth of the measuring instrument shall be set to a value greater than 5% of the bandwidth requirements. When no bandwidth requirements are specified, the minimum resolution bandwidth of the measuring instrument is given in the following table:</p> <table border="1" data-bbox="363 1496 1382 1630"> <thead> <tr> <th>Fundamental frequency</th> <th>Minimum resolution bandwidth</th> </tr> </thead> <tbody> <tr> <td>9 kHz to 30 MHz</td> <td>1 kHz</td> </tr> <tr> <td>30 to 1000 MHz</td> <td>10 kHz</td> </tr> <tr> <td>1000 MHz to 40 GHz</td> <td>100 kHz</td> </tr> </tbody> </table>	Fundamental frequency	Minimum resolution bandwidth	9 kHz to 30 MHz	1 kHz	30 to 1000 MHz	10 kHz	1000 MHz to 40 GHz	100 kHz
Fundamental frequency	Minimum resolution bandwidth							
9 kHz to 30 MHz	1 kHz							
30 to 1000 MHz	10 kHz							
1000 MHz to 40 GHz	100 kHz							

MEASUREMENTS RESULTS

BANDWIDTH OF EMISSION (AT -20dB POINTS)



13:42:37 03.09.2019

BANDWIDTH OF EMISSION (MHz)

Center Frequency	-20dB Bandwidth	Limit (0.25% of CF)	Margin
433.924375	0.144231	1.08481	0.94058

8. MEASUREMENTS TESTS UNCERTAINTY

Unless otherwise stated the uncertainties for the tests and measurements are evaluated in according to IMQ Operational Instruction IO-LAB-001 and IO-LAB-004. and requirement of NIST Technical Note 1297 and NIS 81: 1994 “The Treatment of Uncertainty in EMC Measurements”

The expanded uncertainty was calculated for all measurements and tests listed in this test report according to CISPR 16-4-2 “Specification for radio disturbance and immunity measuring apparatus and methods – Part 4-2: Uncertainty in EMC Measurements”, with UKAS document LAB 34 and is documented in the quality system accordance to ISO/IEC 17025.

Internal Procedure PG-037 ensures that the requirements for traceability of calibrations, of all test equipment requiring calibration, and calibration intervals are met.

Methods/Standard	Parameter	Expanded Uncertainty	Unit	Confidence level	Coverage Factor	Degree of freedom
Continuous disturbance	QP detector 9 – 150 kHz	2,47	dB	95%	2,00	25
	QP detector 150 k – 30 MHz	2,61	dB	95%	2,00	26
	QP detector using Voltage Probe	2,45	dB	95%	2,00	26
	QP detector using ISN	3,15	dB	95%	2,00	> 60
	QP detector using Current Probe	2,15	dB	95%	2,00	35
Radiated disturbance	QP detector (30 MHz - 100 MHz) H polarization	4,33	dB	95%	2,00	> 60
	QP detector (30 MHz - 100 MHz) V polarization	4,22	dB	95%	2,00	> 60
	QP detector (100 MHz - 200 MHz) H polarization	3,40	dB	95%	2,00	> 60
	QP detector (100 MHz - 200 MHz) V polarization	4,76	dB	95%	2,00	> 60
	QP detector (200 MHz - 1000 MHz) H polarization	3,91	dB	95%	2,00	> 60
	QP detector (200 MHz - 1000 MHz) V polarization	3,82	dB	95%	2,00	> 60
	P detector 1-6 GHz	4,77	dB	95%	2,00	> 60
	P detector 6 – 18 GHz	5,14	dB	95%	2,00	> 60

9. LIST OF MEASURING EQUIPMENT AND CALIBRATION INFORMATION

IMQ Serial Number	Instrument	Manufacturer	Type	Last Cal.	Cal. Period.	Calibration Company
P01709	Shielded semi-anechoic chamber	SIDT	/	10-18	12	IMQ
P02486	Turntable controller unit	FRANKONIA	FCTAM01	/	/	/
P02488	Mast antenna	FRANKONIA	FAM4	/	/	/
S05562	EMI Receiver	Rohde & Schwarz	ESU 8	07-19	12	Rohde & Schwarz
S03511	Log antenna	ARA	LPB-2513	12-18	12	NPL
S03463	Horn Antenna	Schwarzbeck	BBHA 9120D	07-17	36	NPL
S03542	Preamplifier	Hewlett Packard	HP 8449B	03-19	12	IMQ
W00199/E	Software	Rohde & Schwarz	Emc32 Ver. 6.30	/	/	/
H00165	PC	/	/	/	/	/

END OF TEST REPORT